



US00D380607S

United States Patent [19]

[11] Patent Number: **Des. 380,607**

Leben

[45] Date of Patent: ****Jul. 8, 1997**

[54] **COMPARTMENTALIZED CONTAINER FOR HANDBAGS**

[75] Inventor: **Lesley Leben**, New York, N.Y.

[73] Assignee: **Lesley Anne Designs, Inc.**, New York, N.Y.

[**] Term: **14 Years**

[21] Appl. No.: **42,197**

[22] Filed: **Aug. 3, 1995**

[51] LOC (6) Cl. **03-01**

[52] U.S. Cl. **D3/243; D3/245**

[58] Field of Search D3/201, 226, 232, D3/233, 243, 245, 246, 303; 150/103, 104, 108, 110, 112, 117, 118, 119; 190/102, 108, 109, 111, 112, 115, 902; 383/38, 40, 76; 206/575

[56] **References Cited**

U.S. PATENT DOCUMENTS

D. 249,392	9/1978	Pelavin	D3/303
D. 273,941	5/1984	Farber	D3/243 X
2,691,400	10/1954	Giordano	190/111
4,236,559	12/1980	Archbold	190/902 X
4,974,709	12/1990	Furrow et al.	383/76 X
5,431,265	7/1995	Yoo	190/111 X

Primary Examiner—Louis S. Zarfes
Assistant Examiner—Monica A. Weingart
Attorney, Agent, or Firm—Gottlieb Rackman & Reisman, P.C.

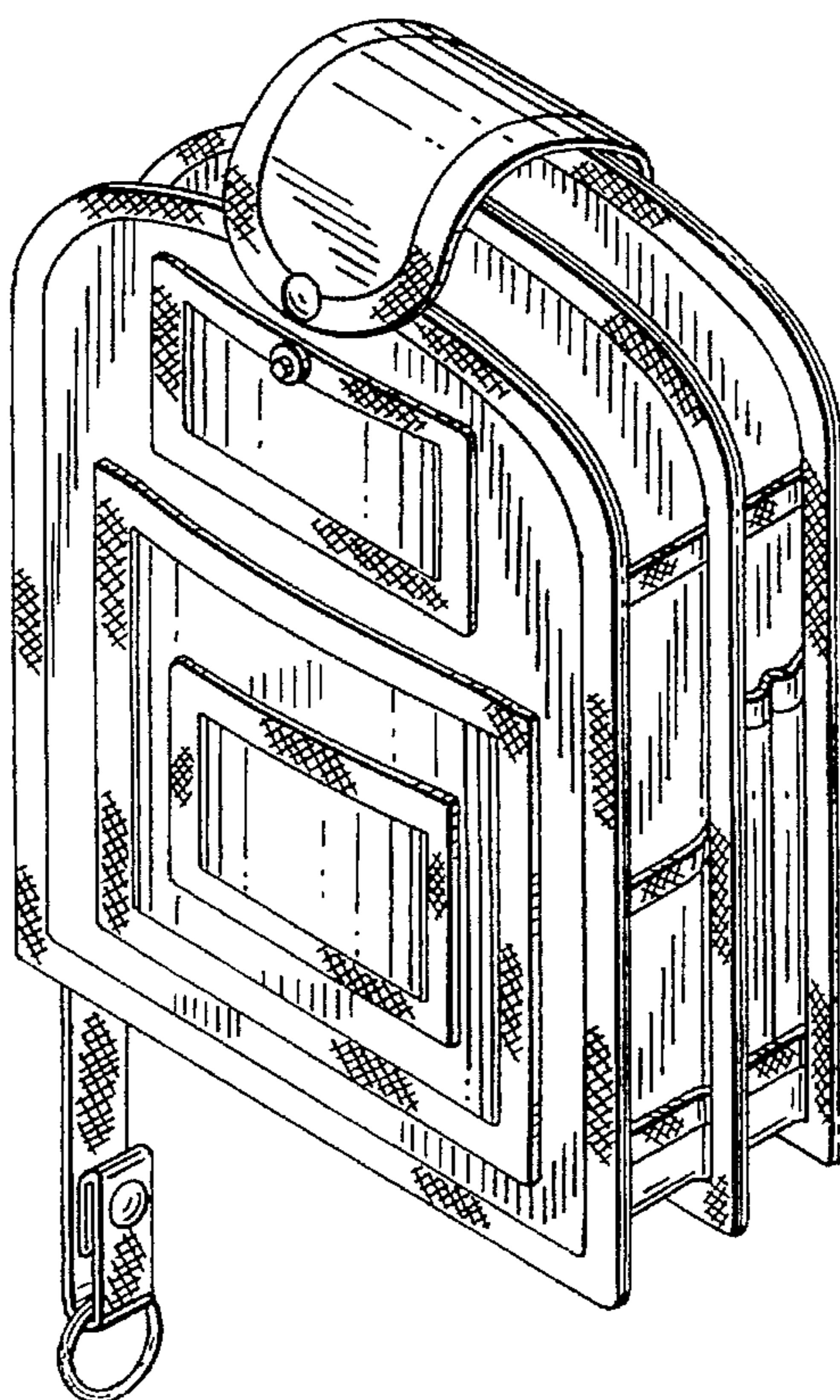
[57] **CLAIM**

The ornamental design for a compartmentalized container for handbags, as shown and described.

DESCRIPTION

FIG. 1 is a front-side perspective view of a first embodiment of the claimed invention;
 FIG. 2 is a rear-side perspective view of a first embodiment of the claimed invention;
 FIG. 3 is a front elevational view of a first embodiment of the claimed invention;
 FIG. 4 is a right-side elevational view of a first embodiment of the claimed invention;
 FIG. 5 is a top plan view of a first embodiment of the claimed invention;
 FIG. 6 is a left-side elevational view of a first embodiment of the claimed invention;
 FIG. 7 is a rear elevational view of a first embodiment of the claimed invention;
 FIG. 8 is a bottom plan view of a first embodiment of the claimed invention;
 FIG. 9 is a front-side perspective view of a second embodiment of the claimed invention;
 FIG. 10 is a rear-side perspective view of a second embodiment of the claimed invention;
 FIG. 11 is a front-side perspective view of a third embodiment of the claimed invention; and,
 FIG. 12 is a rear-side perspective view of a third embodiment of the claimed invention.

1 Claim, 6 Drawing Sheets



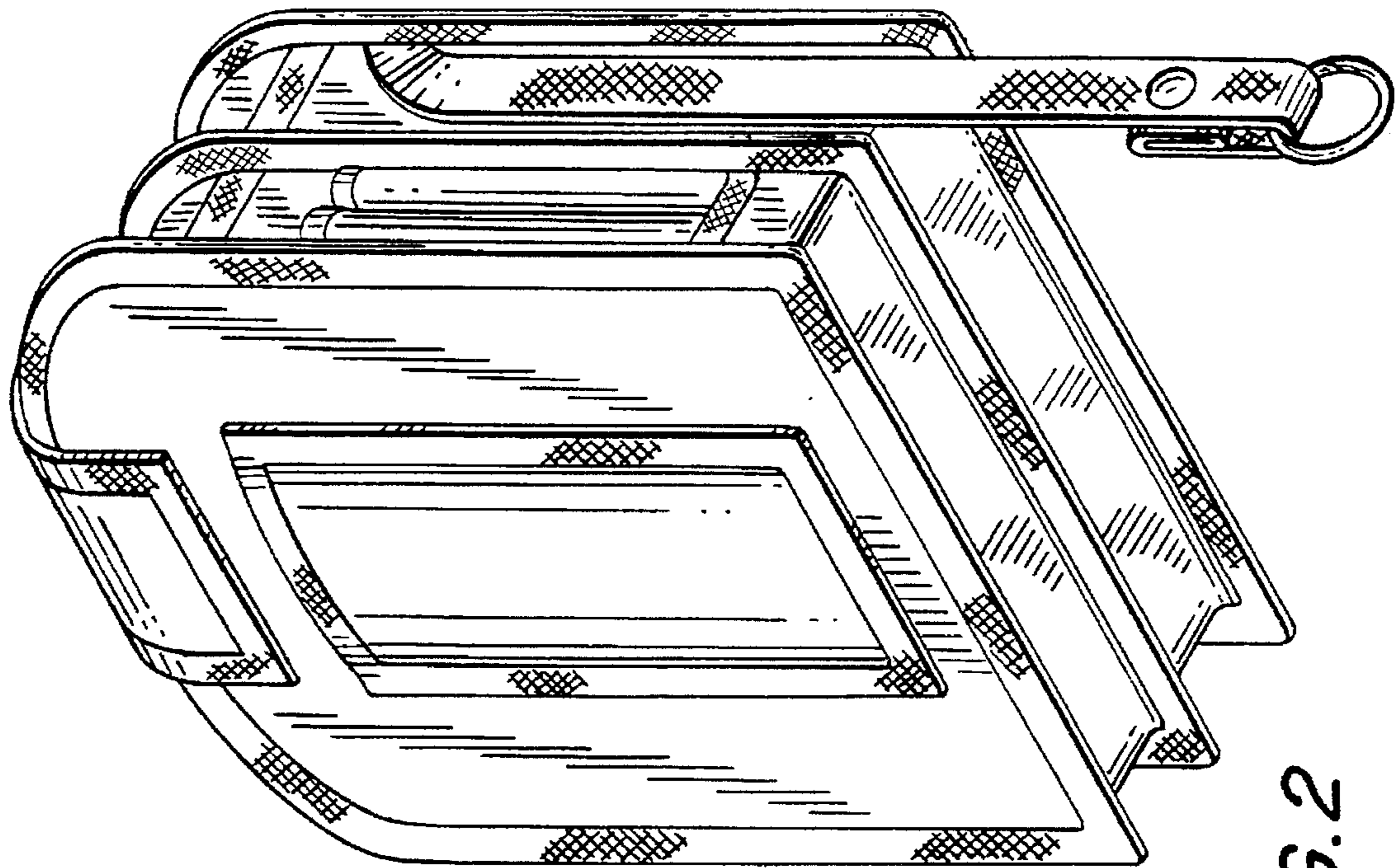


FIG. 2

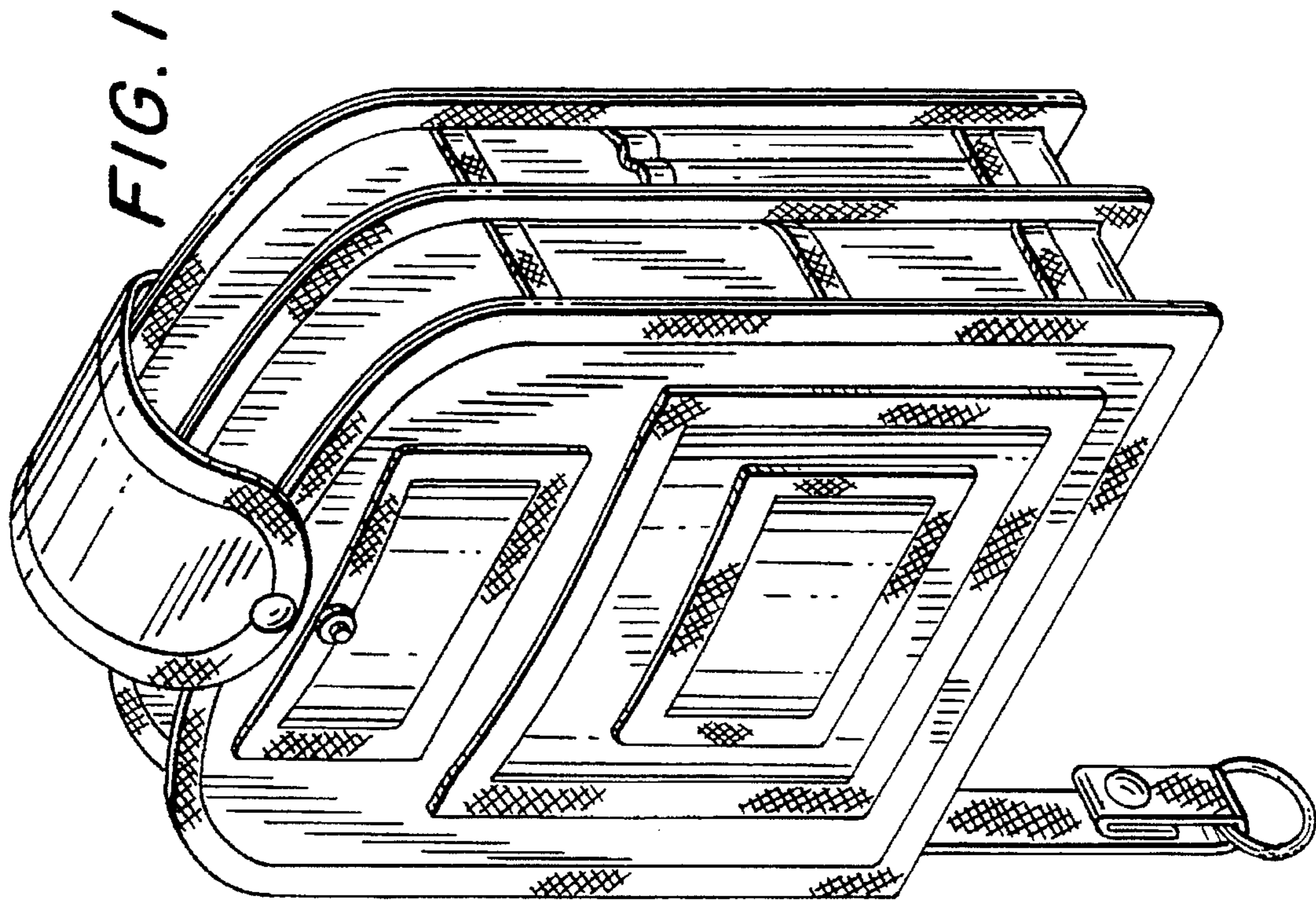


FIG. 1

FIG. 3

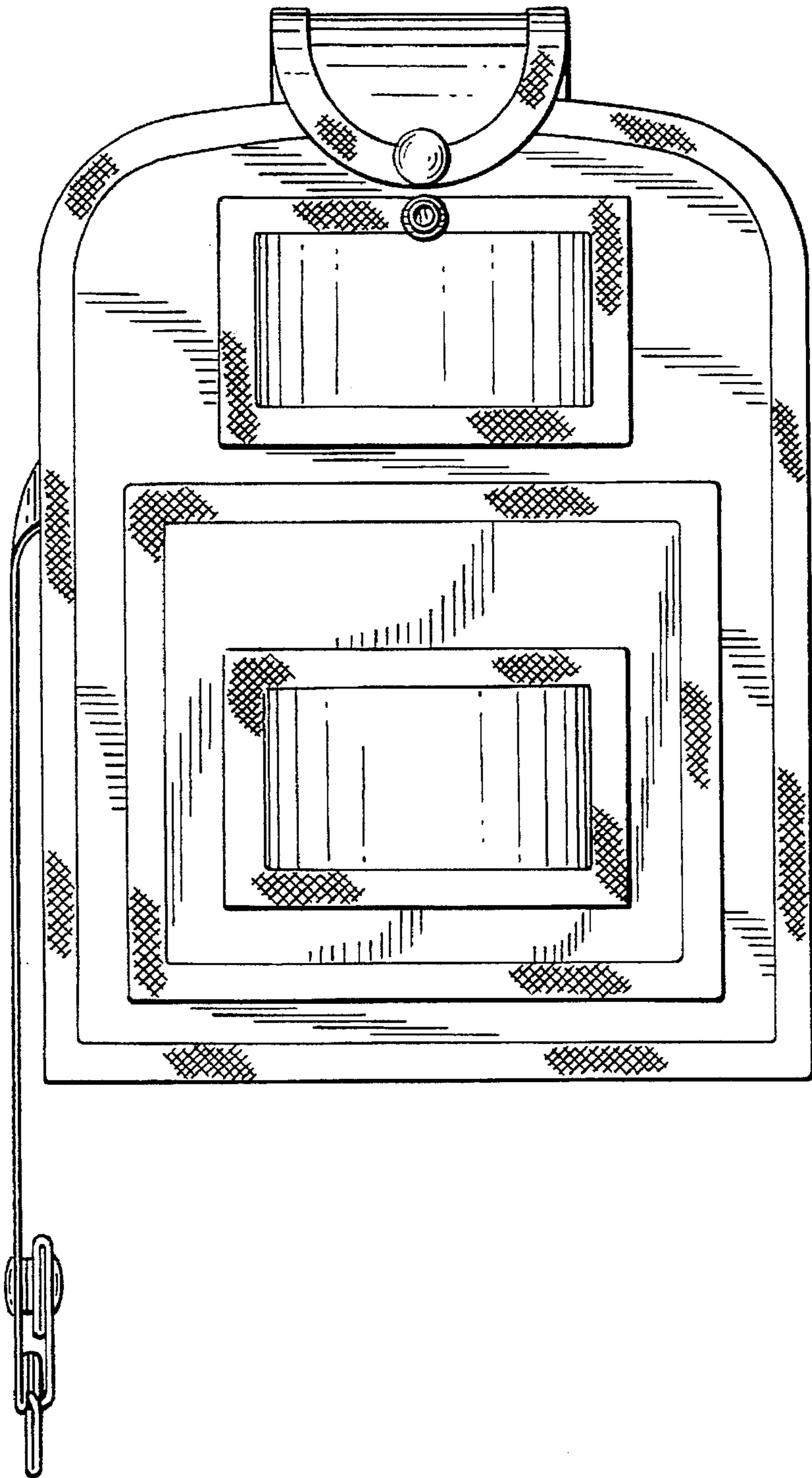
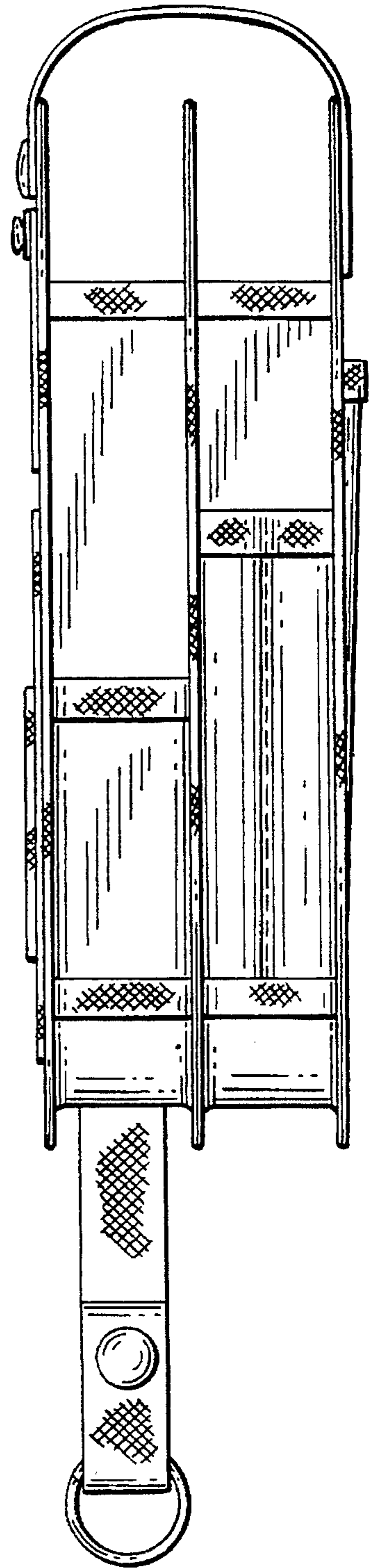


FIG. 4



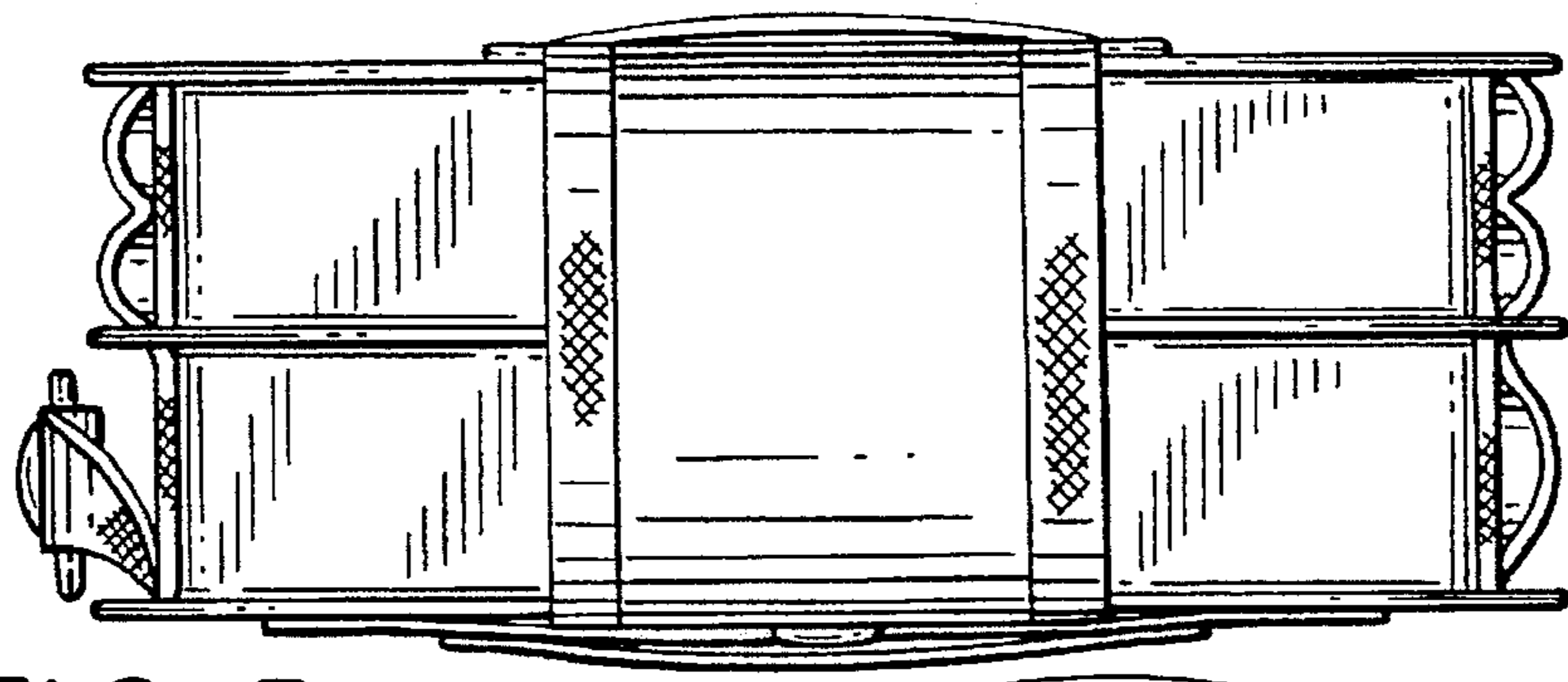


FIG. 5

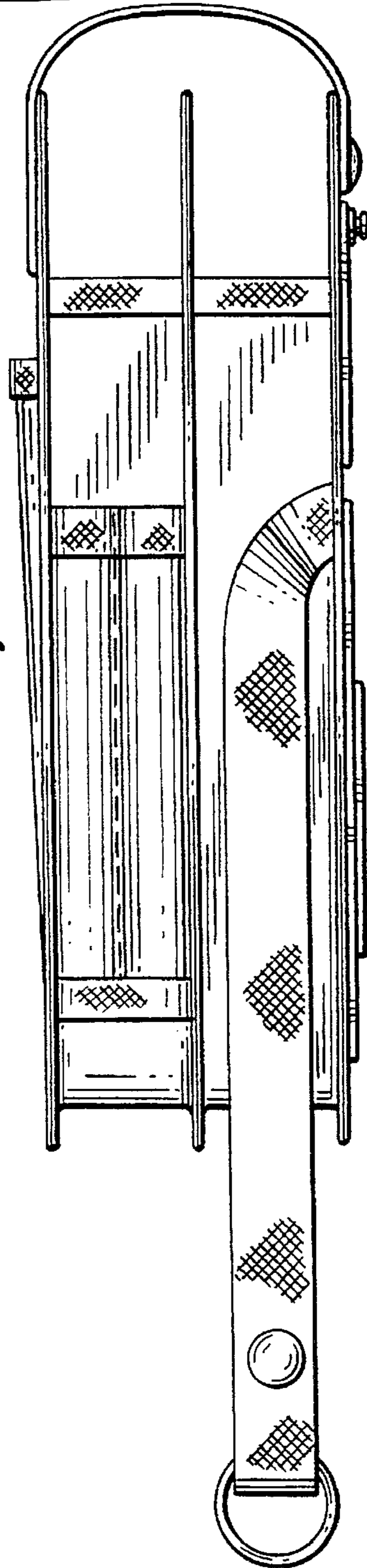


FIG. 6

FIG. 7

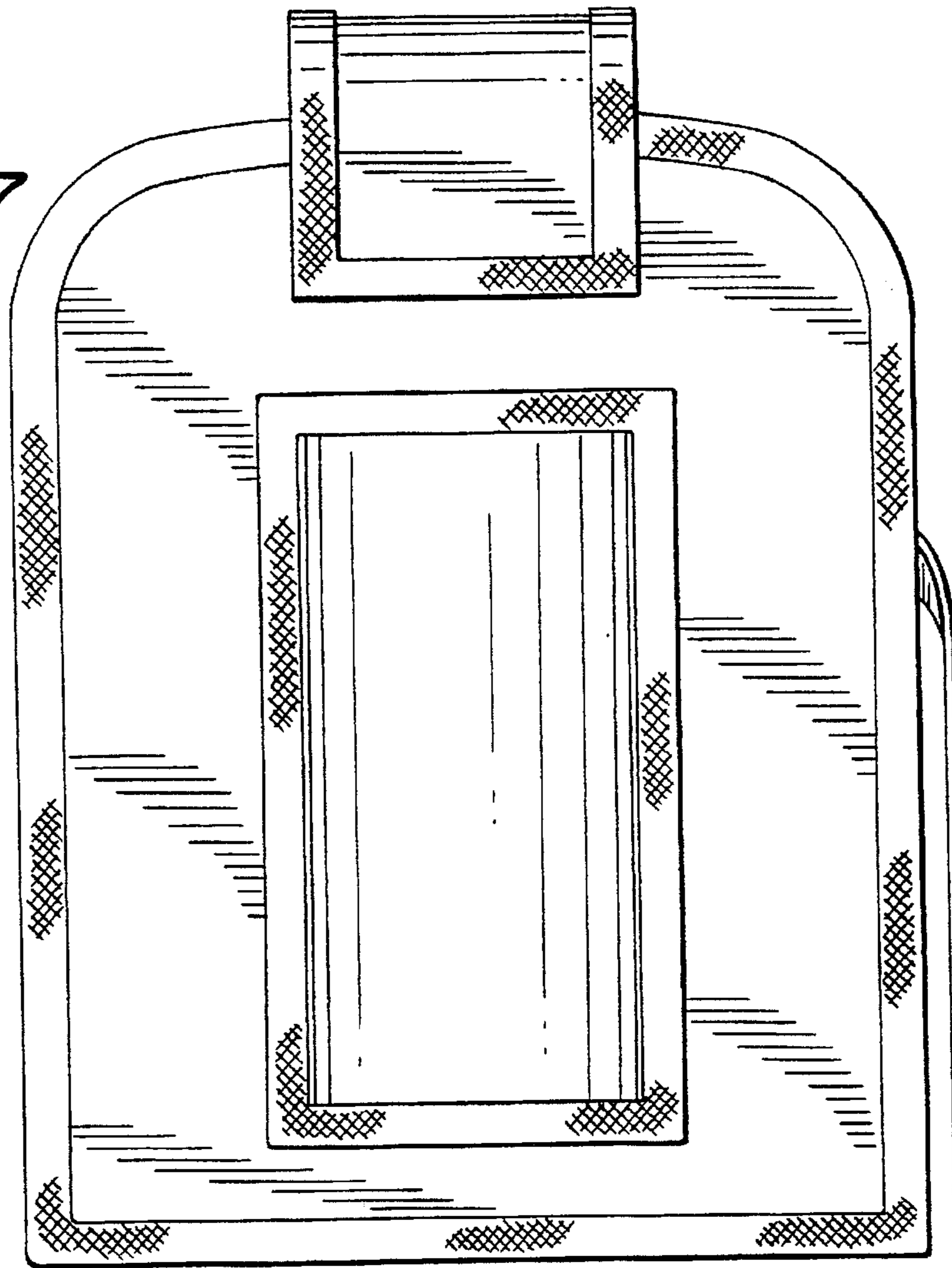
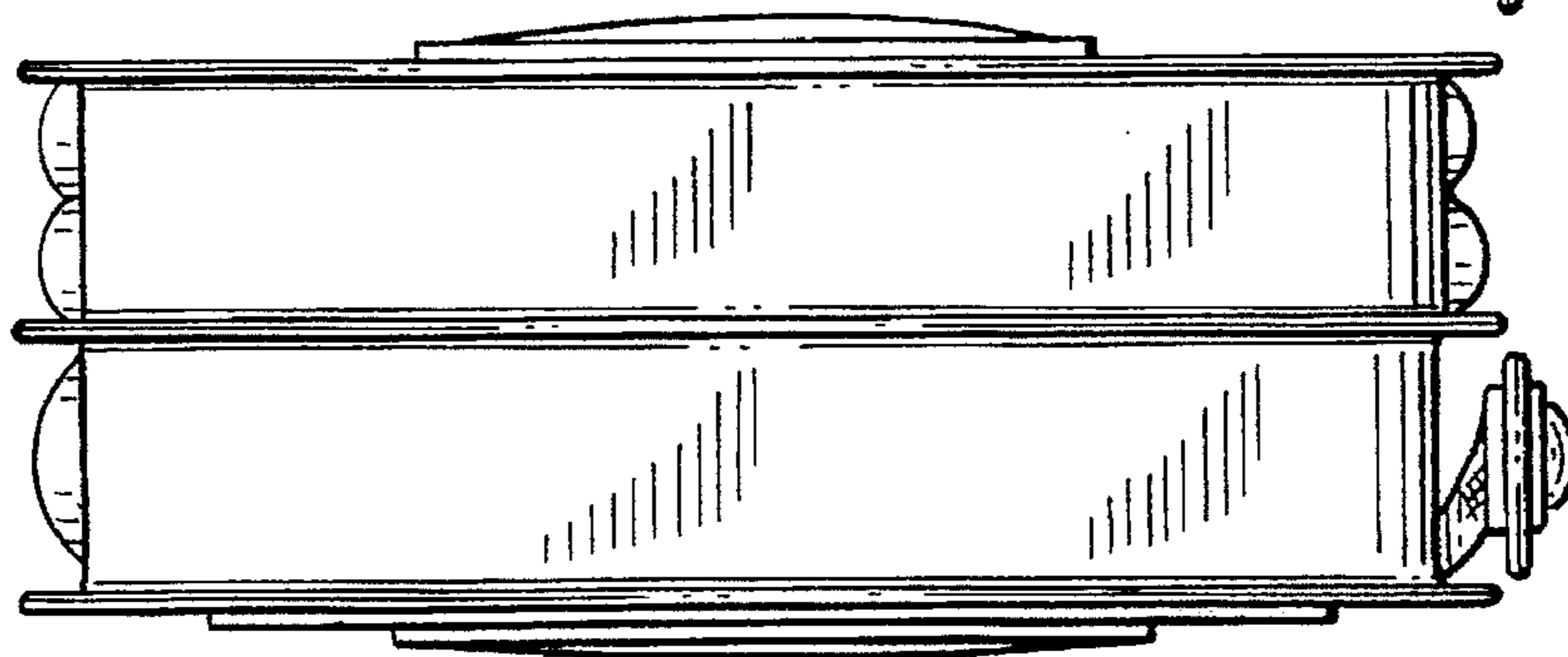


FIG. 8



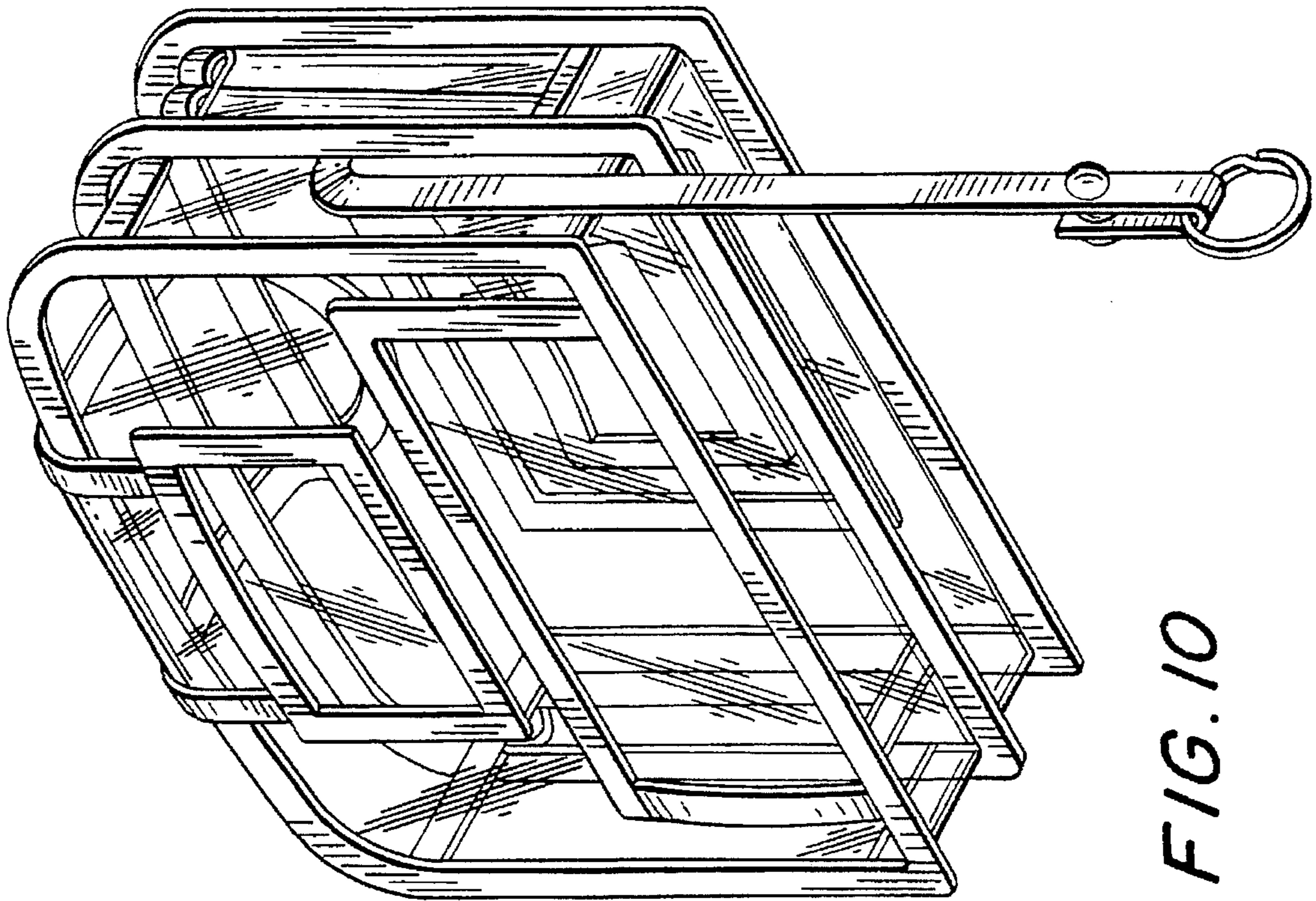


FIG. 10

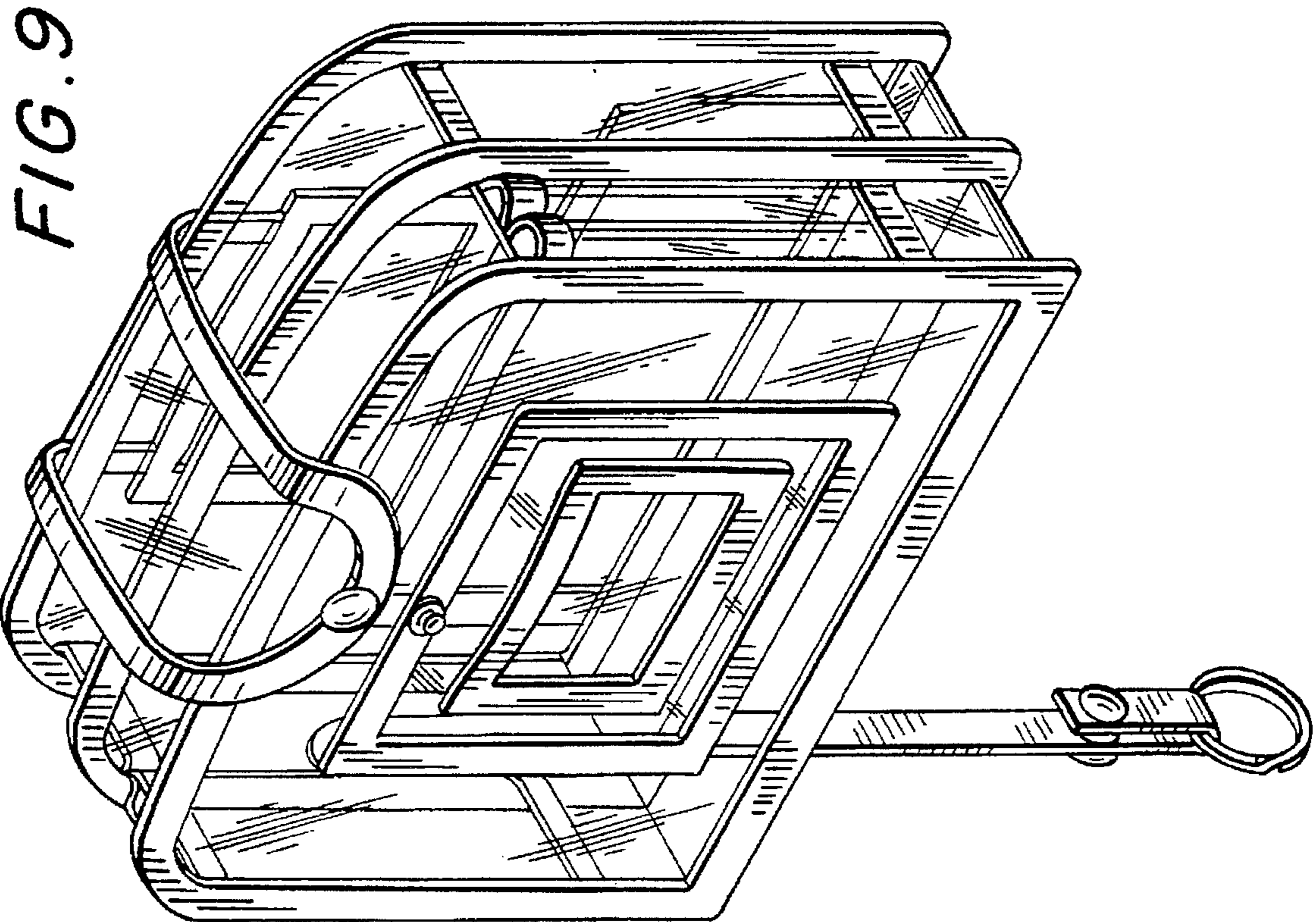


FIG. 9

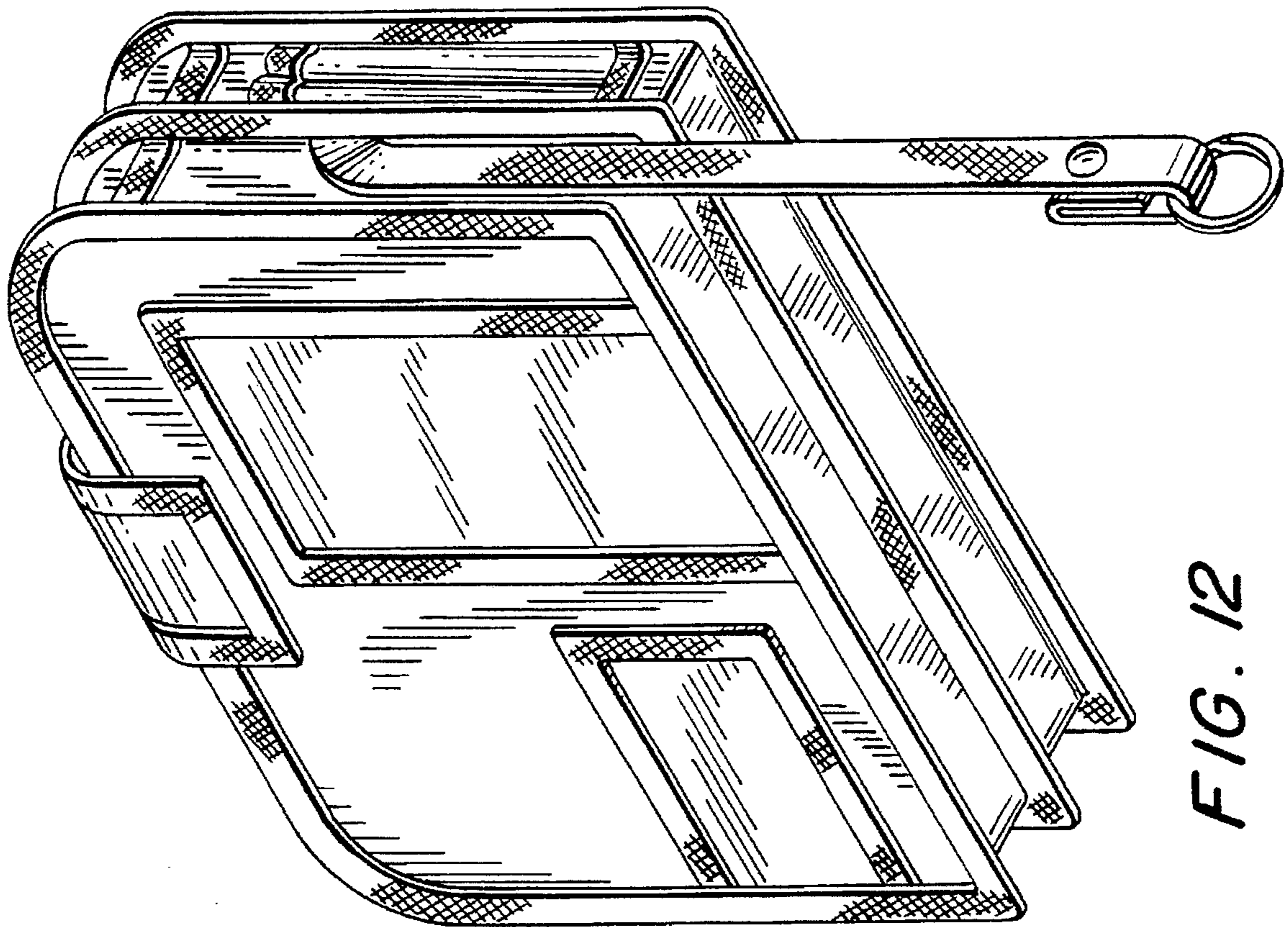


FIG. 11

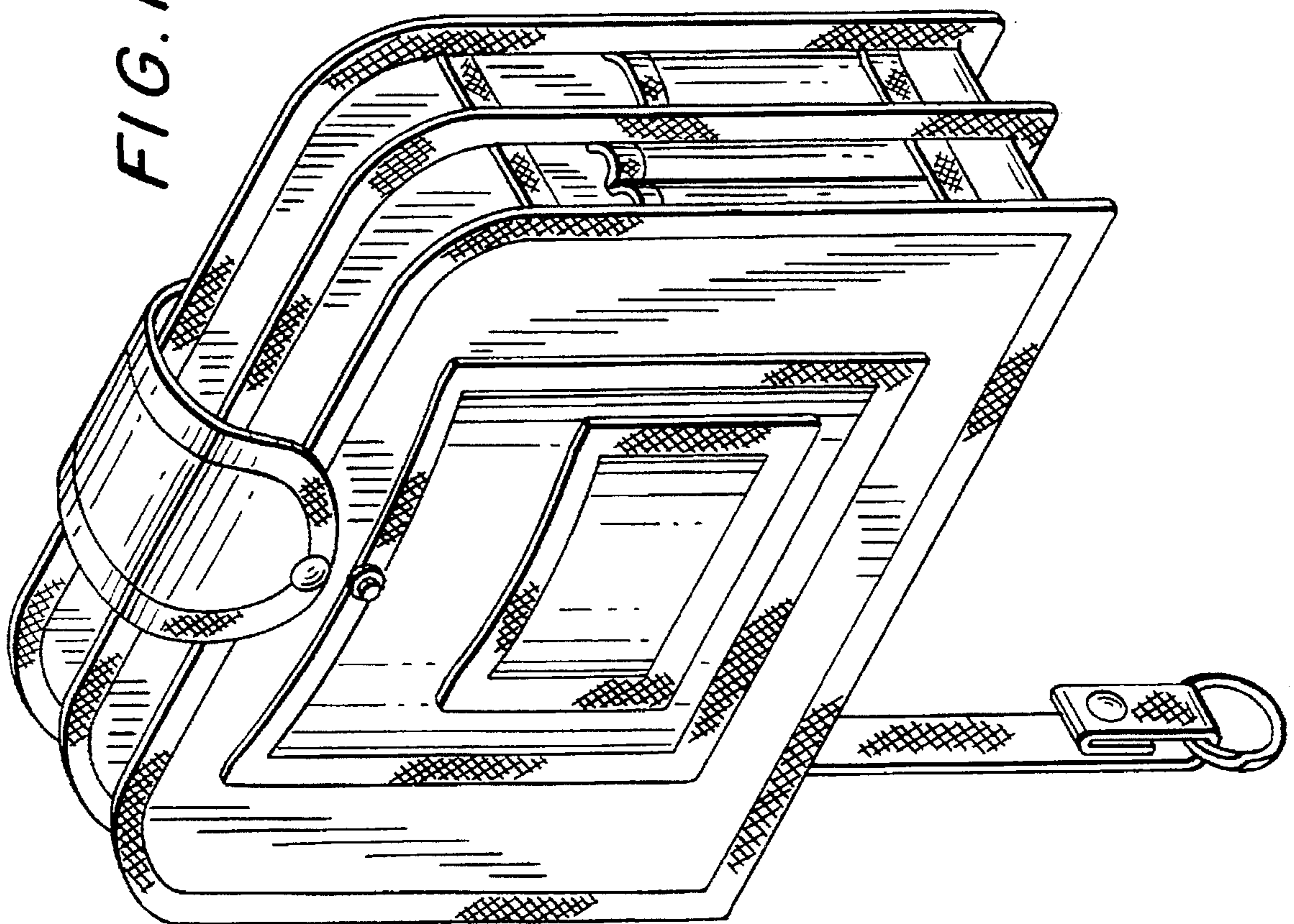


FIG. 12