



US00D380603S

United States Patent [19]
Shackelford

[11] **Patent Number: Des. 380,603**

[45] **Date of Patent: **Jul. 8, 1997**

[54] **CONTAINER FOR SEWING ACCESSORIES**

815,067 3/1906 Commons D3/25
2,923,451 2/1960 Hokerk 223/107

[76] **Inventor: George Shackelford, 24520 A Windsor Dr., Valencia, Calif. 91355**

Primary Examiner—Ralf T. Seifert
Attorney, Agent, or Firm—Robert M. Sperry

[**] **Term: 14 Years**

[57] **CLAIM**

[21] **Appl. No.: 22,861**

The ornamental design for a container for sewing accessories, as shown and described.

[22] **Filed: May 9, 1994**

DESCRIPTION

[51] **LOC (6) Cl. 03-99**

[52] **U.S. Cl. D3/25**

[58] **Field of Search** D3/20, 25, 204,
D3/205; 211/69-70, 78; 223/106, 107;
206/49, 58, 373, 388, 469; 66/1 A; 242/127;
D9/419, 453; D7/252, 253; D6/469, 416

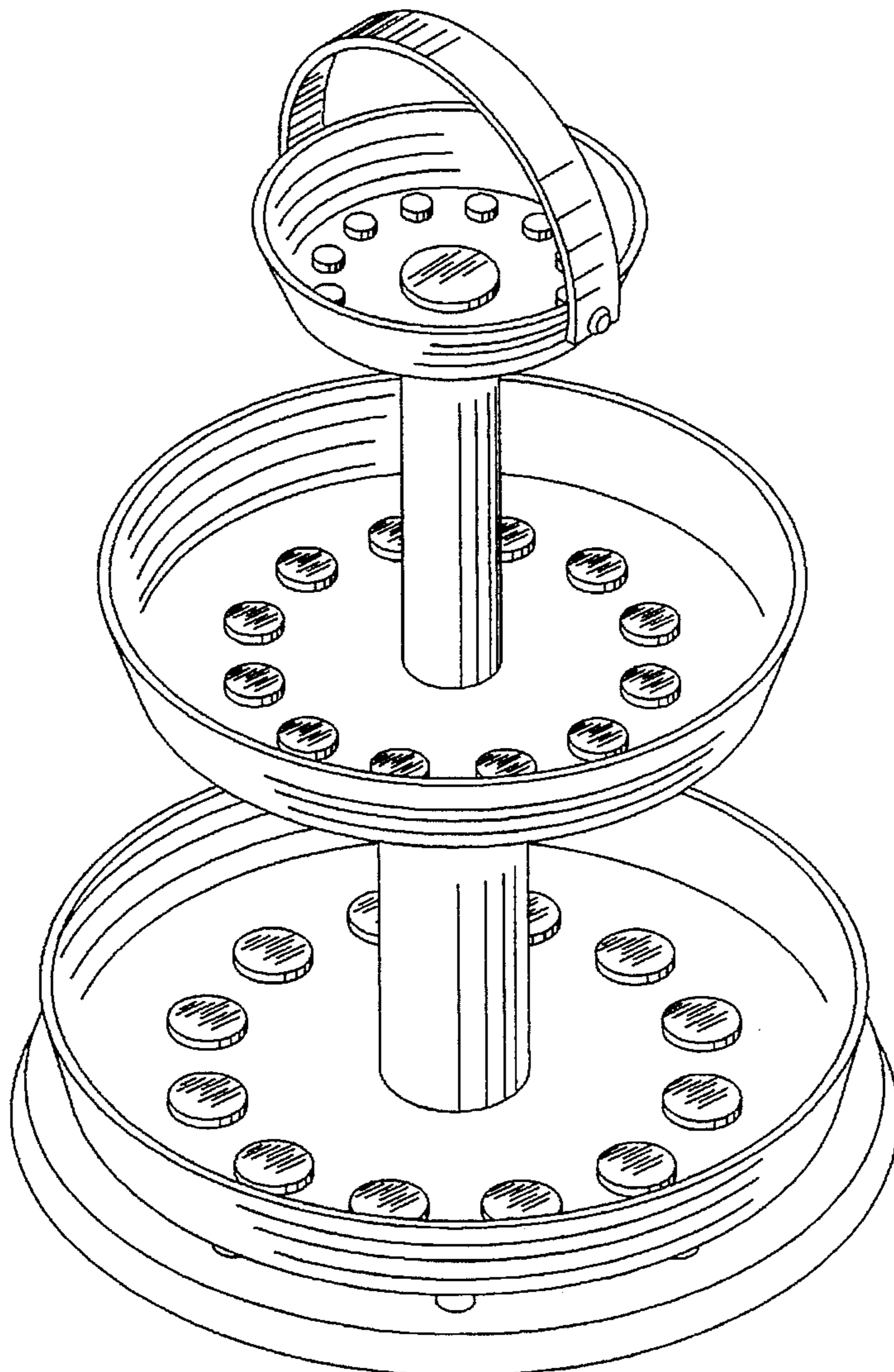
FIG. 1 is a side elevational view of a container for sewing accessories showing my new design;
FIG. 2 is a top plan view of the support base, the trays being removed for ease of illustration;
FIG. 3 is a top plan view of the bottom tray, the base and other trays removed for ease of illustration;
FIG. 4 is a top plan view of the middle tray, the top and bottom trays and the base removed for ease of illustration;
FIG. 5 is a top plan view of the top shelf, the lower trays and the base removed for ease of illustration; and,
FIG. 6 is a perspective view of FIG. 1.

[56] **References Cited**

U.S. PATENT DOCUMENTS

D. 216,758 3/1970 Di Pierro D3/25
D. 297,191 8/1988 Friedan, Jr. D6/469
D. 305,836 2/1990 Maia D6/416
D. 348,378 7/1994 Crane D6/469

1 Claim, 2 Drawing Sheets



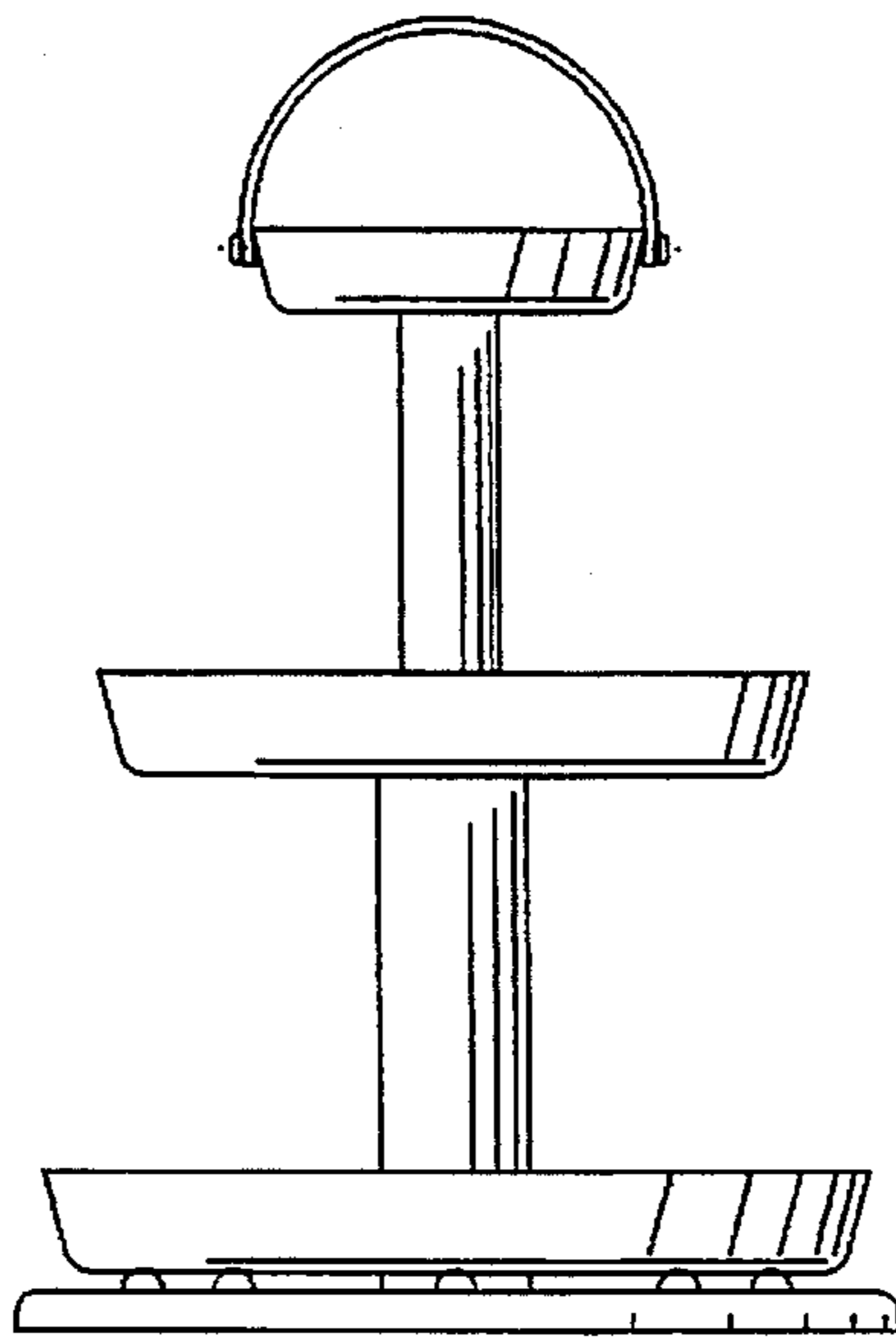


FIG. 1

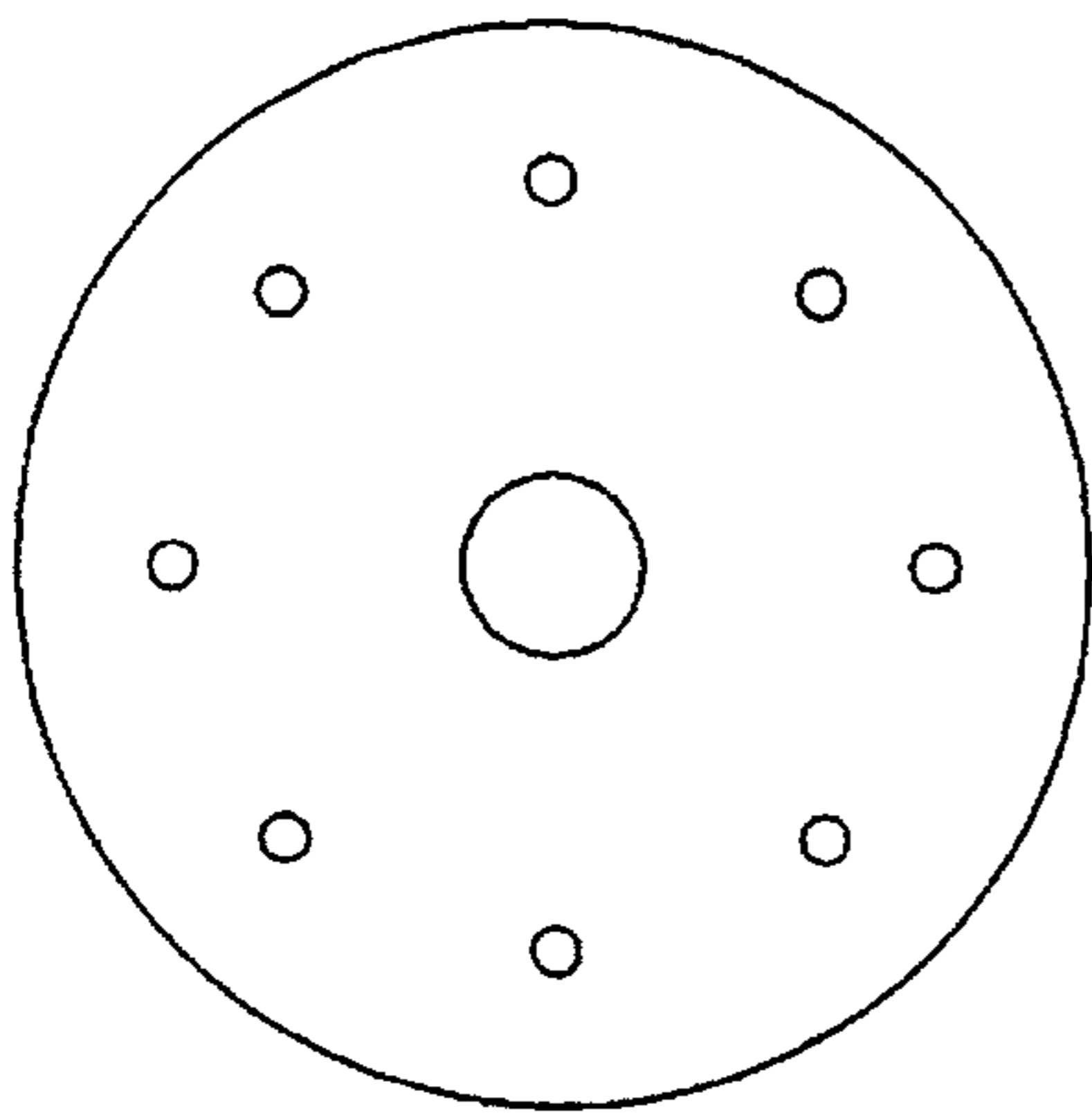


FIG. 2

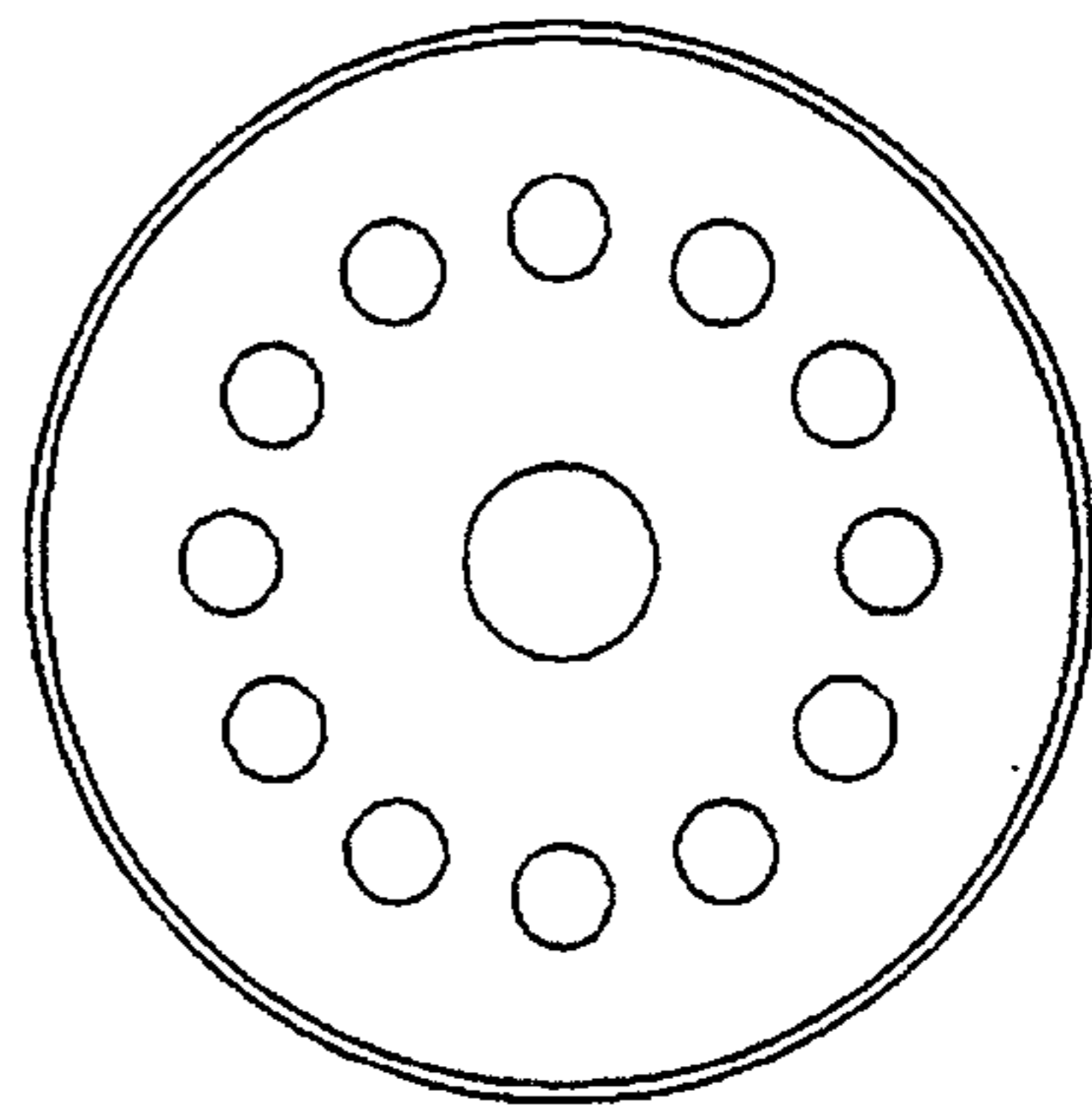


FIG. 3

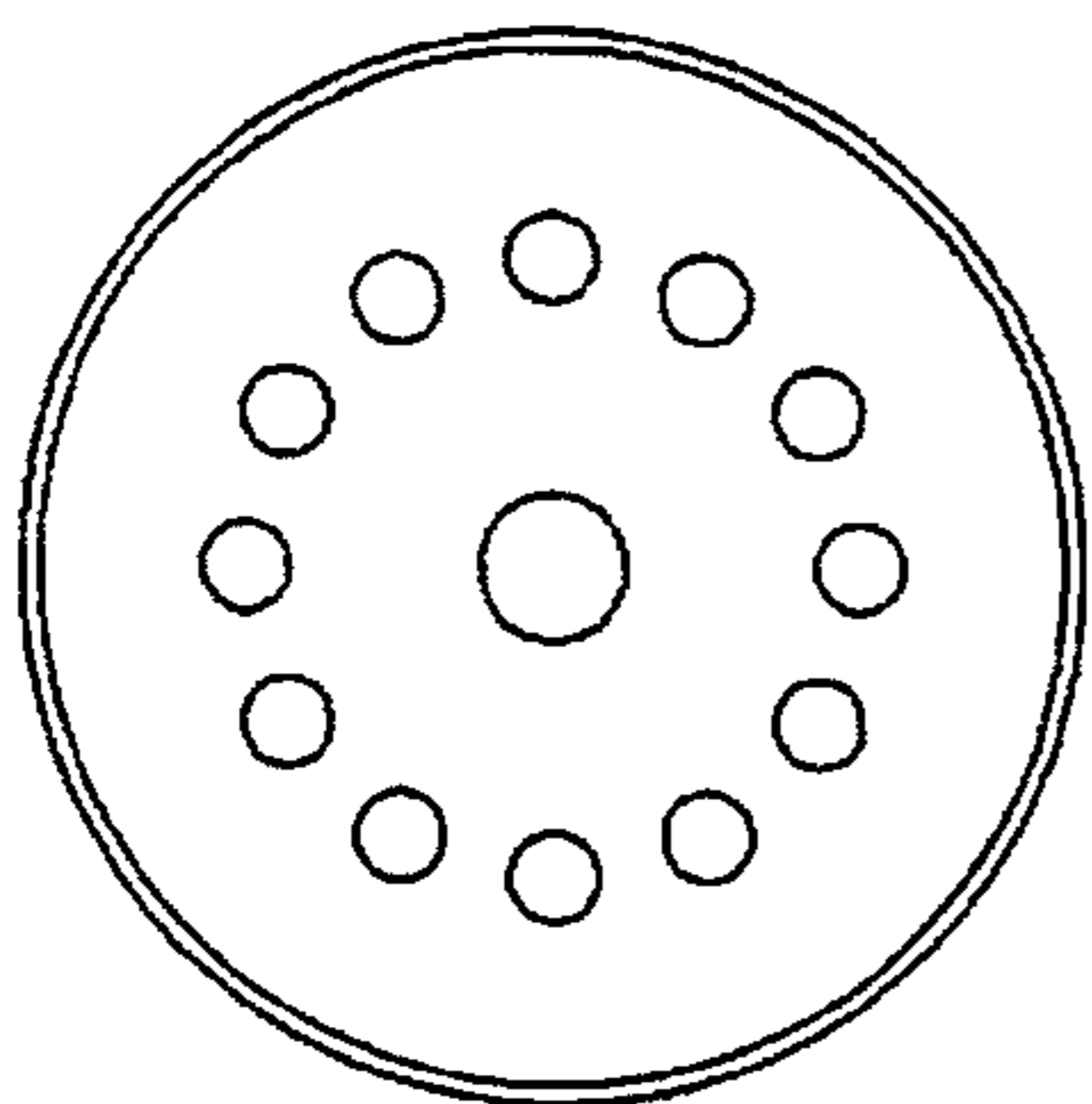


FIG. 4

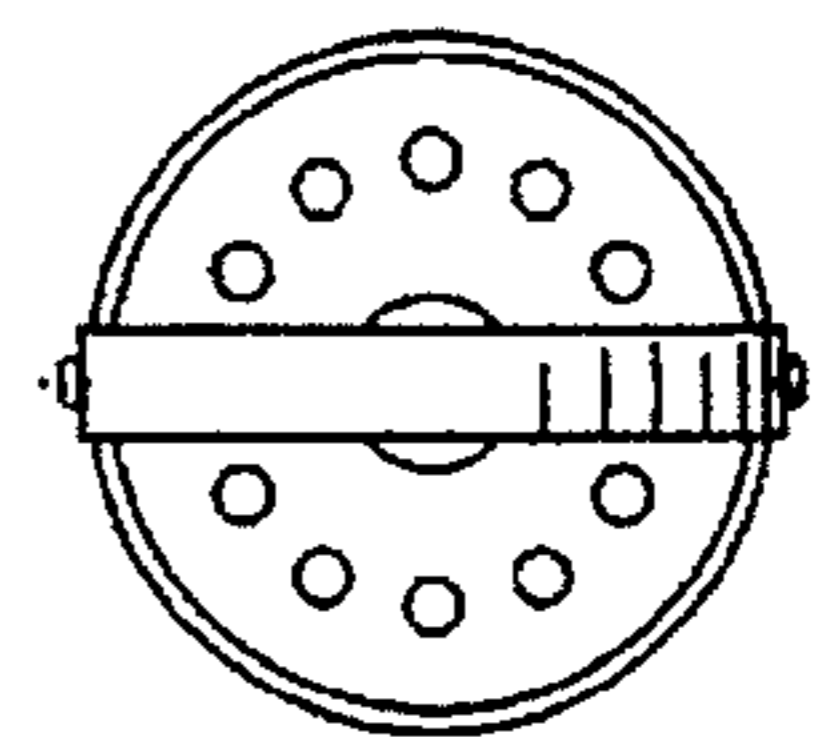


FIG. 5

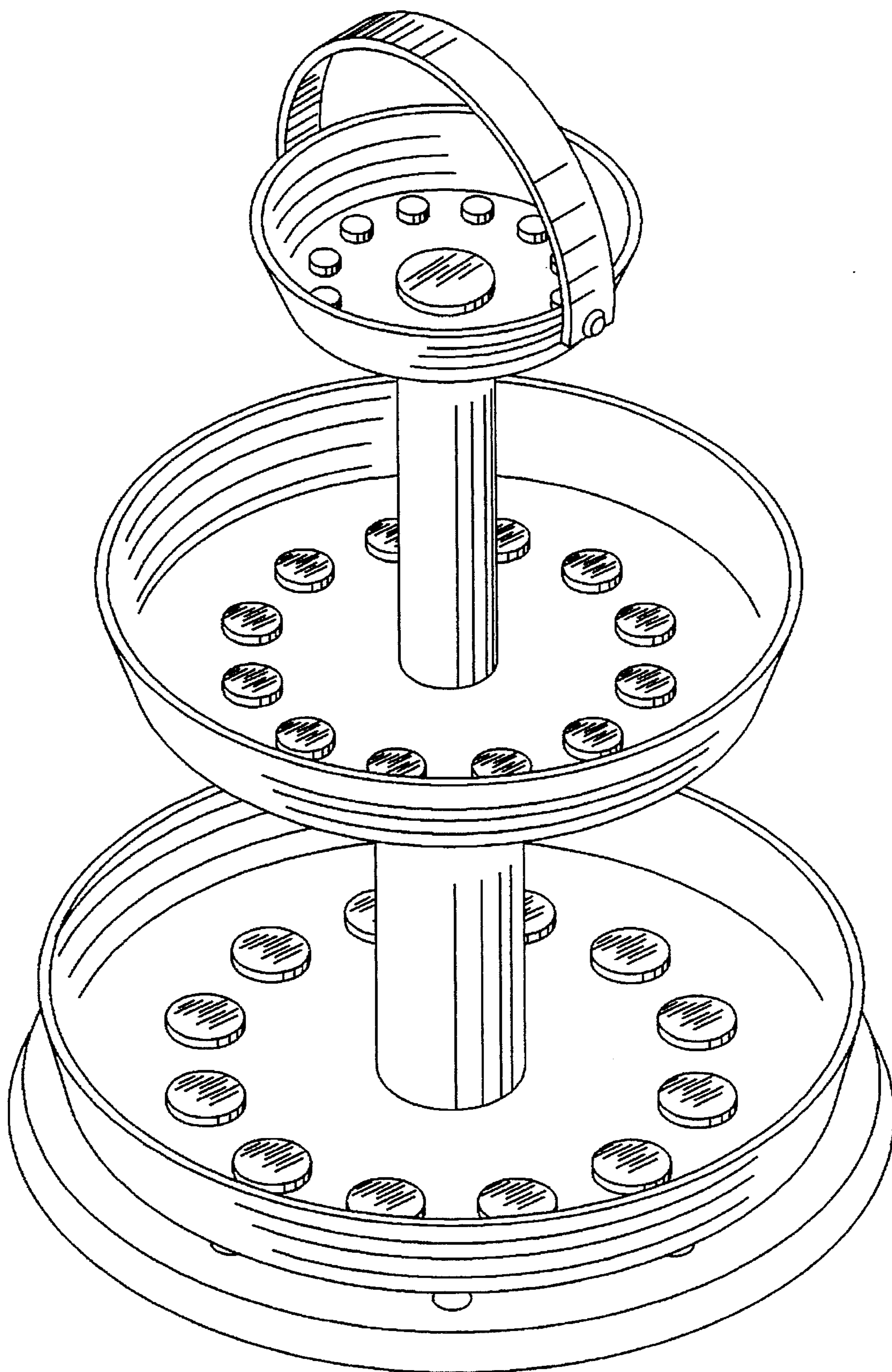


FIG. 6