



US00D380592S

United States Patent [19]

Whittington

[11] Patent Number: **Des. 380,592**

[45] Date of Patent: ****Jul. 8, 1997**

[54] **BOOT**

4,689,902 9/1987 Lewis, Jr. 36/50.1
4,788,780 12/1988 Boggs 36/7.3 X

[76] Inventor: **Glenn Whittington**, P.O. Box 70,
Interlachen, Fla. 32148

Primary Examiner—Doris V. Coles
Attorney, Agent, or Firm—Harold H. Dutton, Jr.; W. Charles
L. Jamison; Diane F. Liebman

[**] Term: **14 Years**

[57] **CLAIM**

[21] Appl. No.: **55,018**

The ornamental design for a boot, as shown.

[22] Filed: **May 28, 1996**

DESCRIPTION

[51] **LOC (6) Cl.** **02-04**

[52] **U.S. Cl.** **D2/910**

[58] **Field of Search** D2/909, 910, 970;
36/72 R, 45, 7.3, 50.1

FIG. 1 is a perspective view of a boot showing my new design;

FIG. 2 is a right view thereof;

FIG. 3 is a left view thereof;

FIG. 4 is a rear view thereof;

FIG. 5 is a front view thereof;

FIG. 6 is a top view thereof; and,

FIG. 7 is a bottom view thereof.

[56] **References Cited**

U.S. PATENT DOCUMENTS

D. 369,894	5/1996	Stolberg	D2/910
2,498,437	2/1950	Lihollier	36/7.3
4,392,311	7/1983	Rudolf	36/7.3

1 Claim, 5 Drawing Sheets



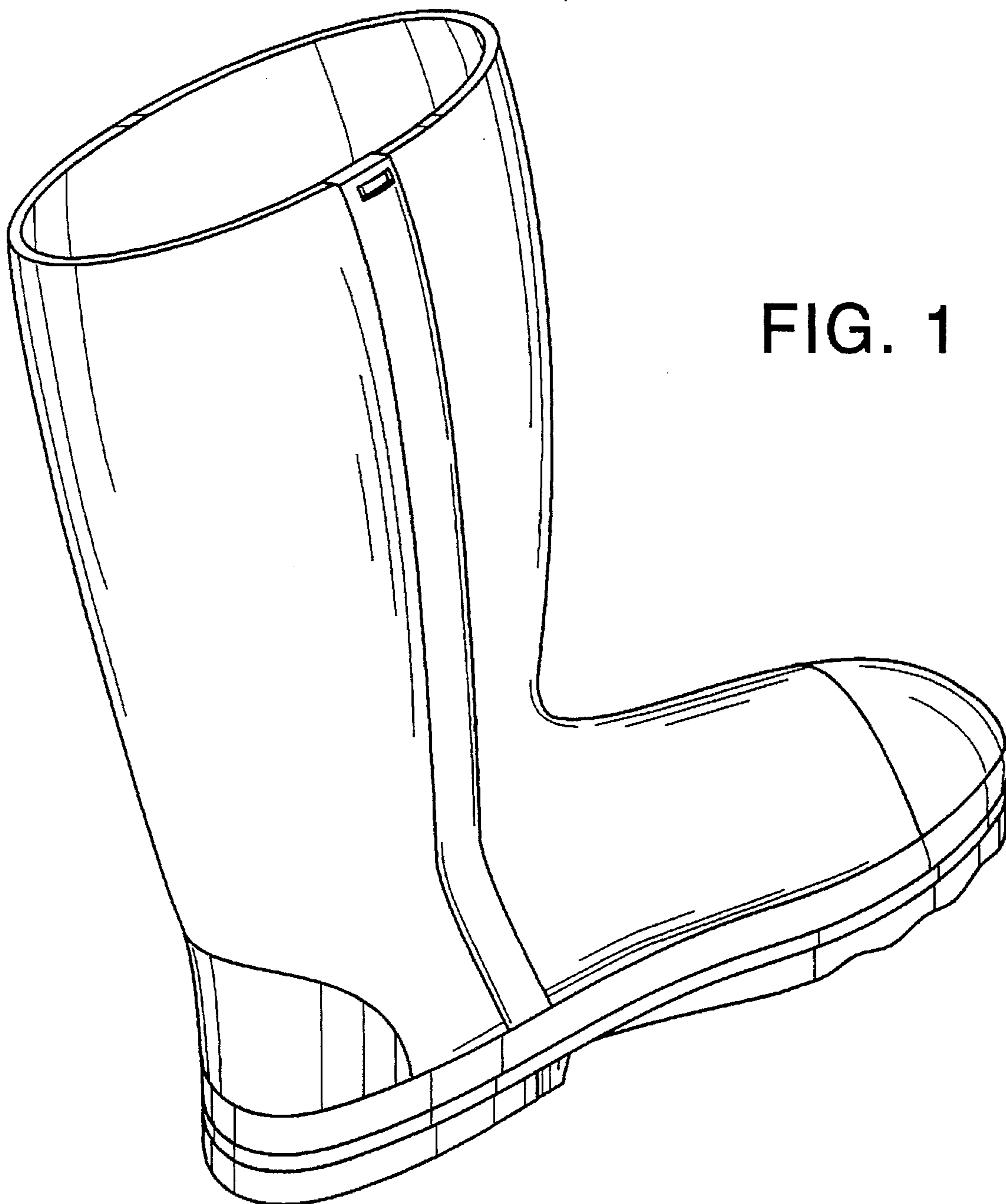


FIG. 1

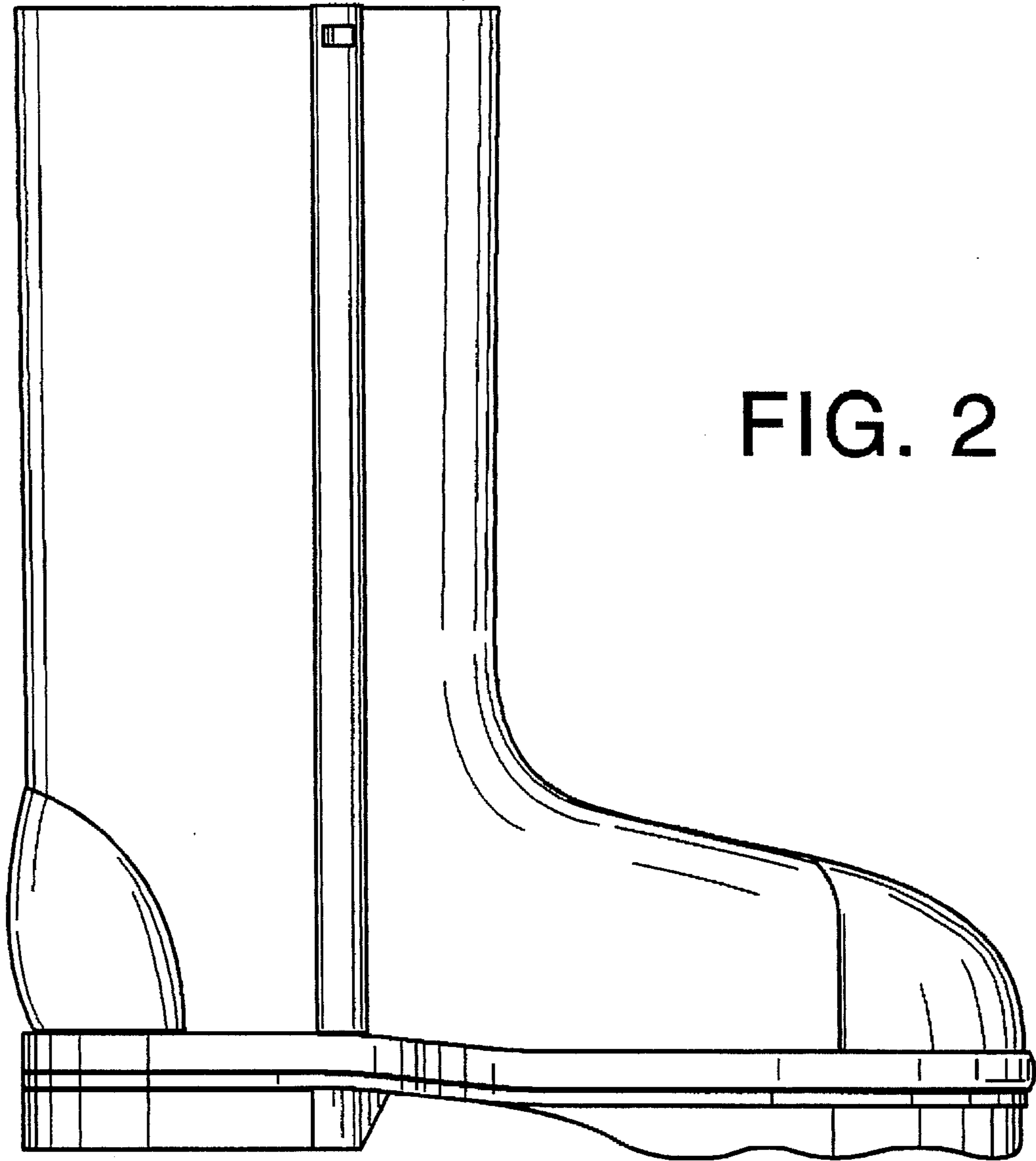
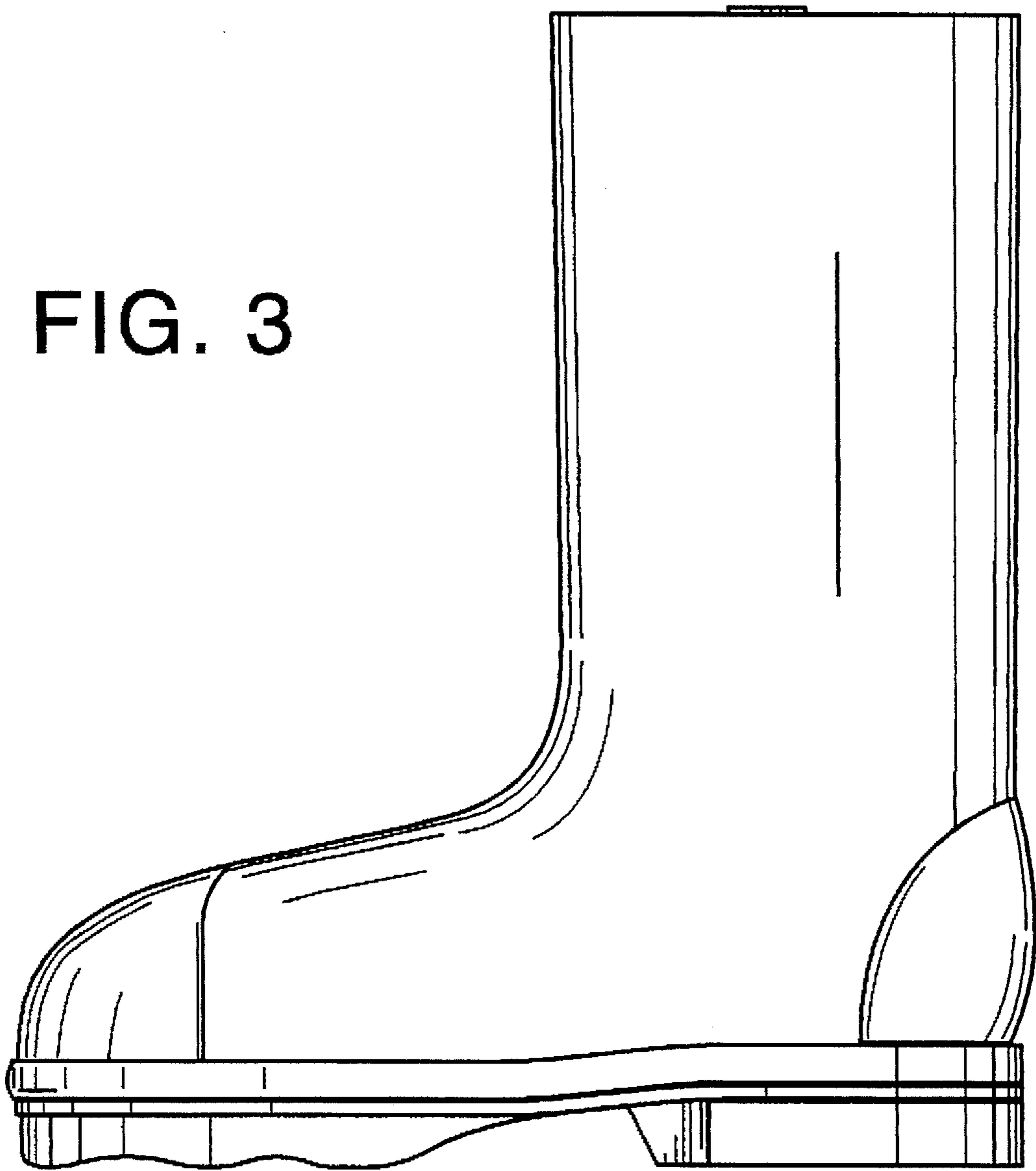


FIG. 2

FIG. 3



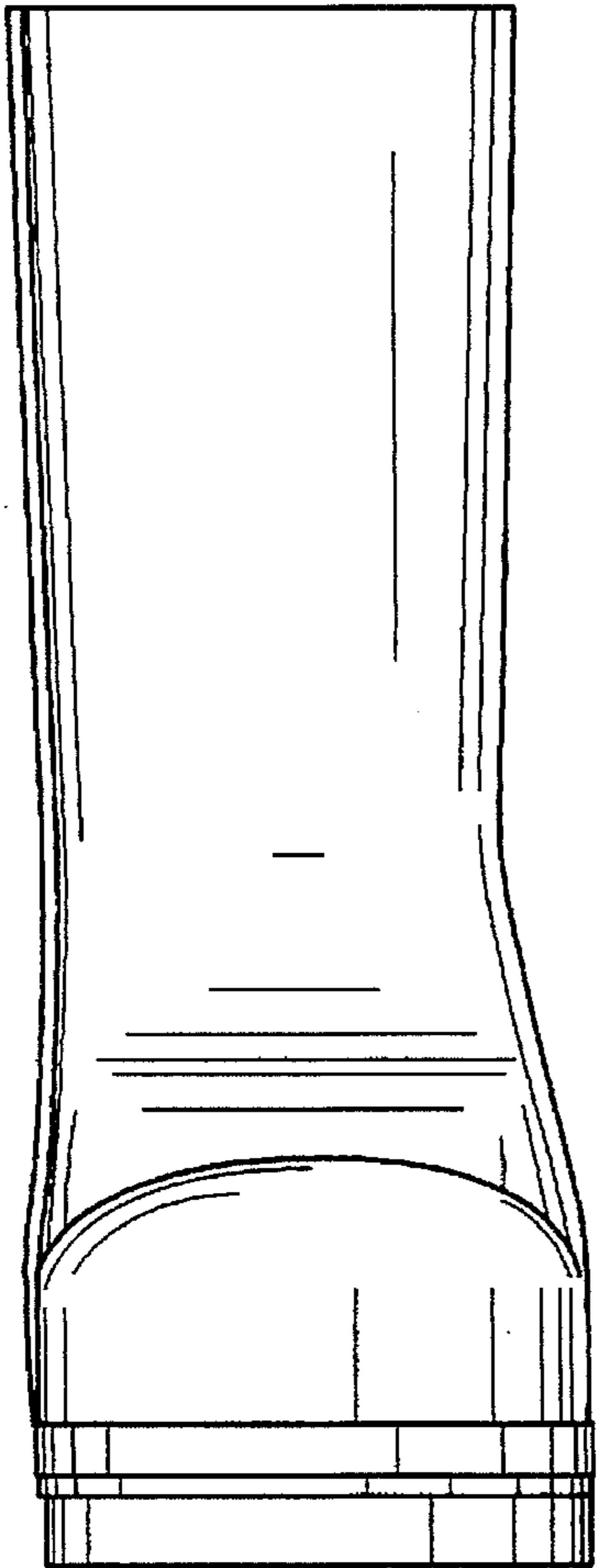


FIG. 4

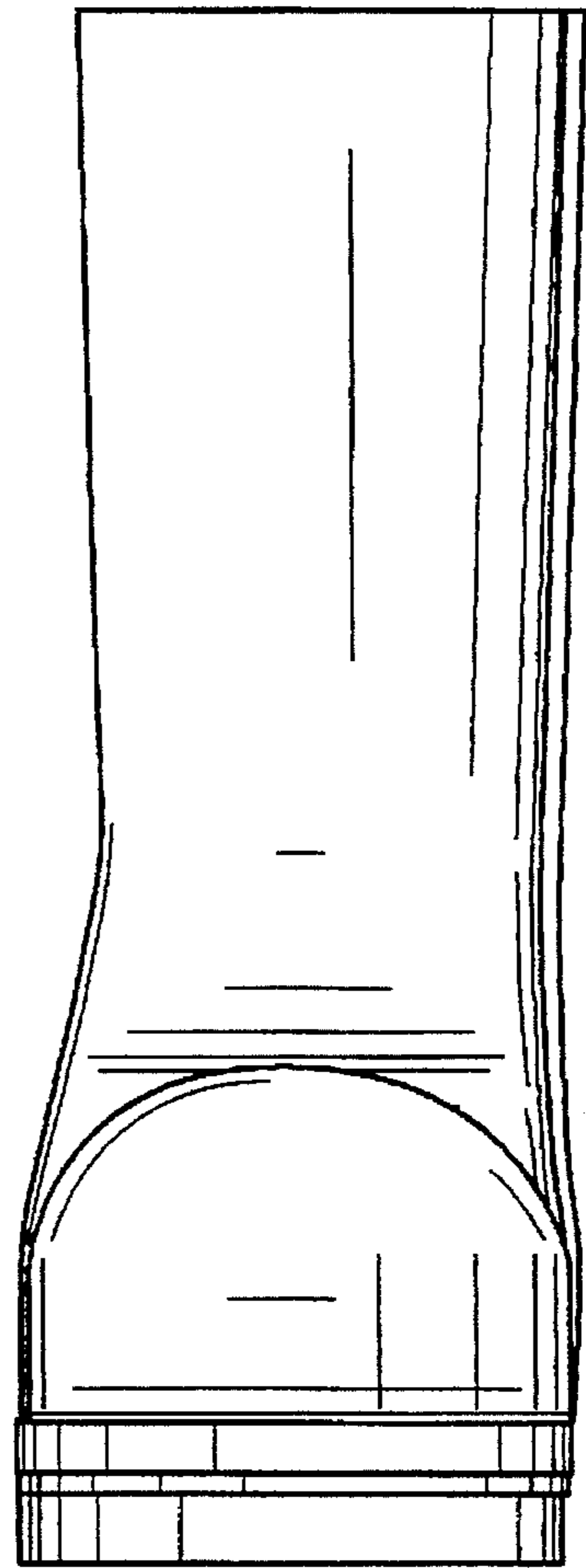


FIG. 5

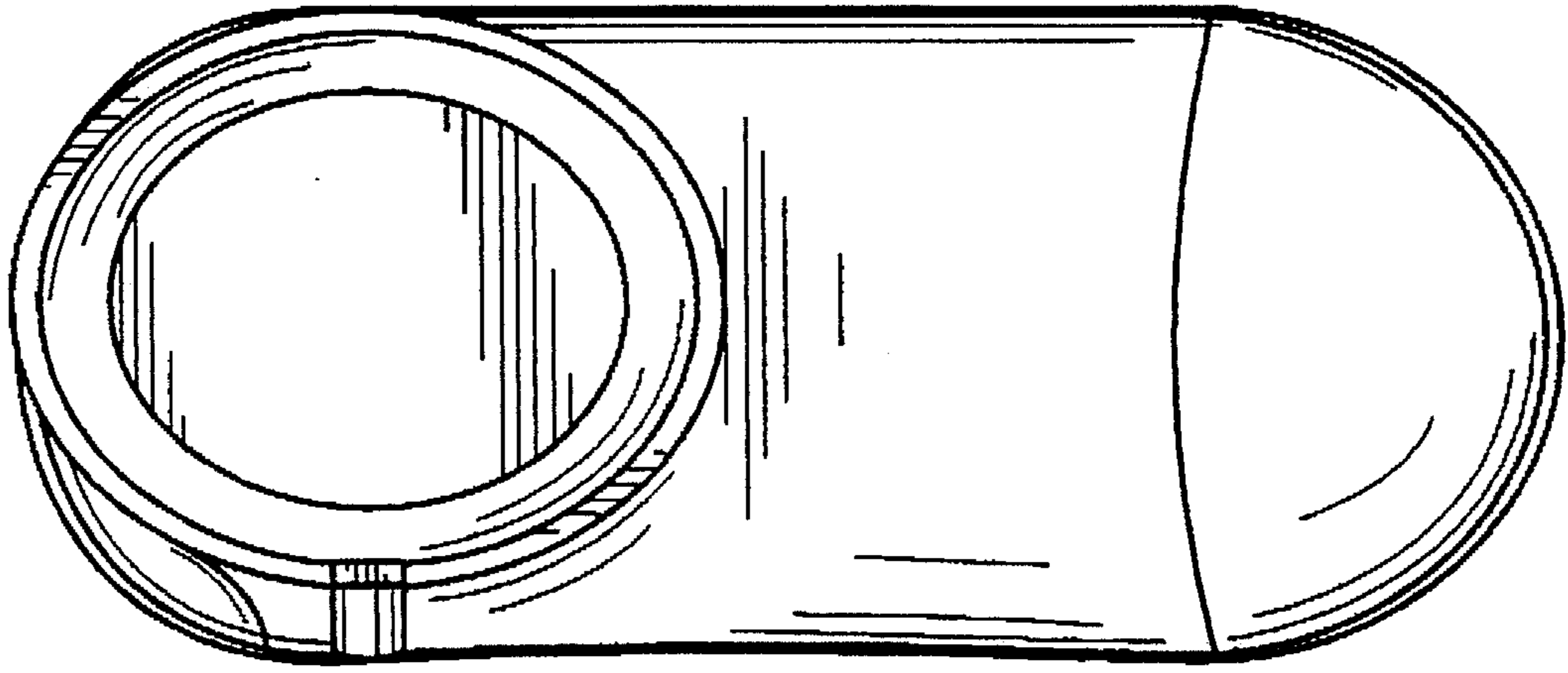


FIG. 6

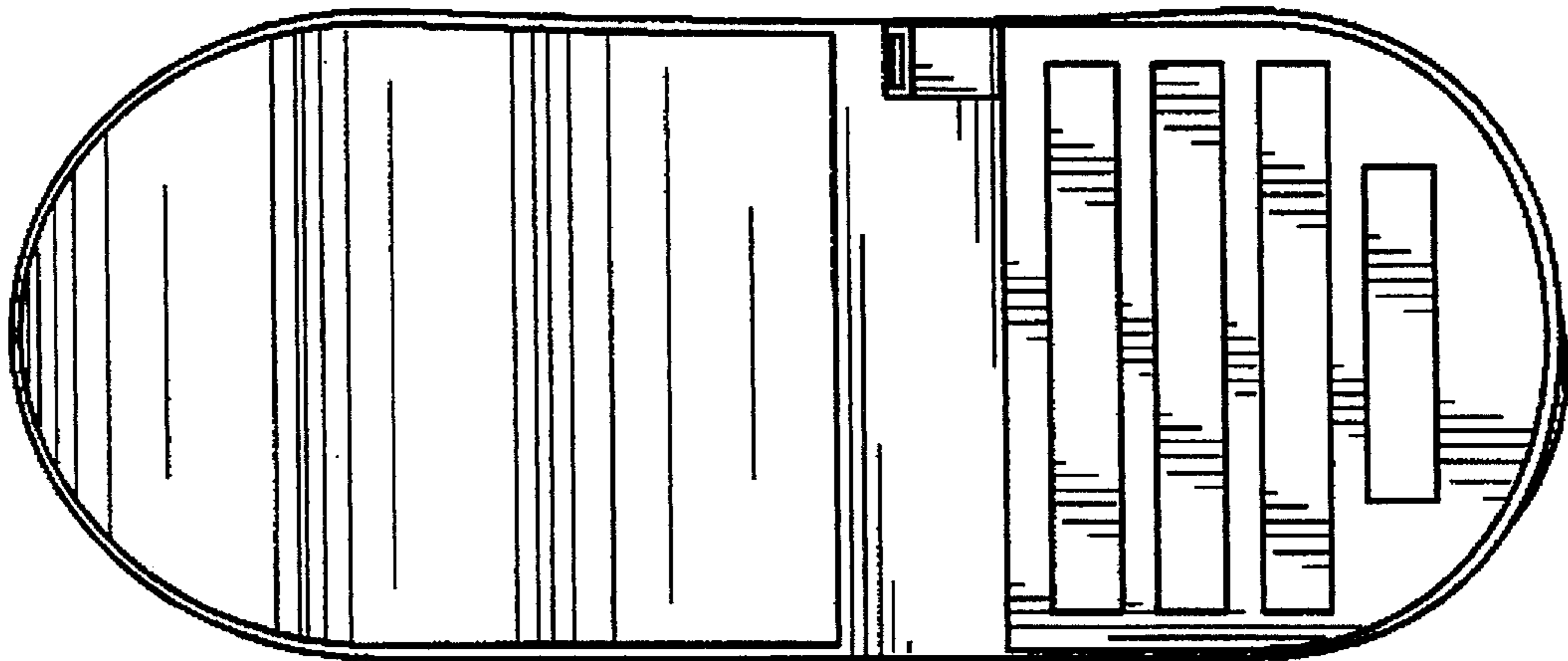


FIG. 7