



US00D380587S

# United States Patent [19]

[11] Patent Number: **Des. 380,587**

Ryan et al.

[45] Date of Patent: **\*\*Jul. 8, 1997**

[54] **COMBINED BELT BUCKLE AND BELT**

433,005	7/1890	Hirshfeld	.....	D11/200
1,271,963	7/1918	Vilandrer	.....	D11/200
2,088,088	7/1937	Mark	.....	D11/230
2,262,269	11/1941	Cooper	.....	D11/86
2,563,324	10/1951	Klein	.....	D11/200
3,153,827	10/1964	Phillips et al.	.....	D11/200

[75] Inventors: **Kelly Ryan; Alain Bao**, both of New York, N.Y.

[73] Assignee: **The Donna Karan Beauty Company**, New York, N.Y.

[\*\*] Term: **14 Years**

[21] Appl. No.: **51,321**

[22] Filed: **Jan. 19, 1996**

*Primary Examiner*—Ralf Seifert  
*Attorney, Agent, or Firm*—Curtis, Morris & Safford, P.C.

[57] **CLAIM**

The ornamental design for a combined belt buckle and belt, as shown and described.

**Related U.S. Application Data**

[62] Division of Ser. No. 30,622, Nov. 3, 1994, Pat. No. Des. 371,525.

[51] **LOC (6) Cl.** ..... **02-07**

[52] **U.S. Cl.** ..... **D2/627**

[58] **Field of Search** ..... D11/200, 201, D11/215-219, 211, 86, 87; 24/632, 641, 631, 616, 170, 305, 69, 67; D2/627, 628, 629

**DESCRIPTION**

FIG. 1 shows a front perspective view of a combined belt buckle and belt of the invention;  
 FIG. 2 shows a front perspective view of the belt buckle of the combined belt buckle and belt of the invention;  
 FIG. 3 shows a front perspective view of another embodiment of the combined belt buckle and belt of the invention (wherein belt is in adjustable belt);  
 FIG. 4 shows a cross-section along lines 4—4 of FIG. 3;  
 FIG. 5 shows a top plan view of the belt buckle of the combined belt buckle and belt of the invention;  
 FIG. 6 shows a front view thereof;  
 FIG. 7 shows a left view thereof;  
 FIG. 8 shows a right view thereof;  
 FIG. 9 shows a bottom view thereof;  
 FIG. 10 shows a rear view thereof;  
 FIG. 11 shows an exploded view thereof; and,  
 The dot dash line shown connecting the tether indicates continuity of design.

**References Cited**

**U.S. PATENT DOCUMENTS**

D. 21,063	9/1891	Hubbard	.....	D11/211
D. 35,707	2/1902	Gaisman	.....	D2/627
D. 146,923	6/1947	Leming	.....	D11/200
D. 149,472	5/1948	Chernow	.....	D11/87
D. 158,392	5/1950	Laufer	.....	D11/87
D. 241,188	8/1976	Lanham	.....	D2/627
D. 277,052	1/1985	Baron	.....	D11/231

**1 Claim, 5 Drawing Sheets**

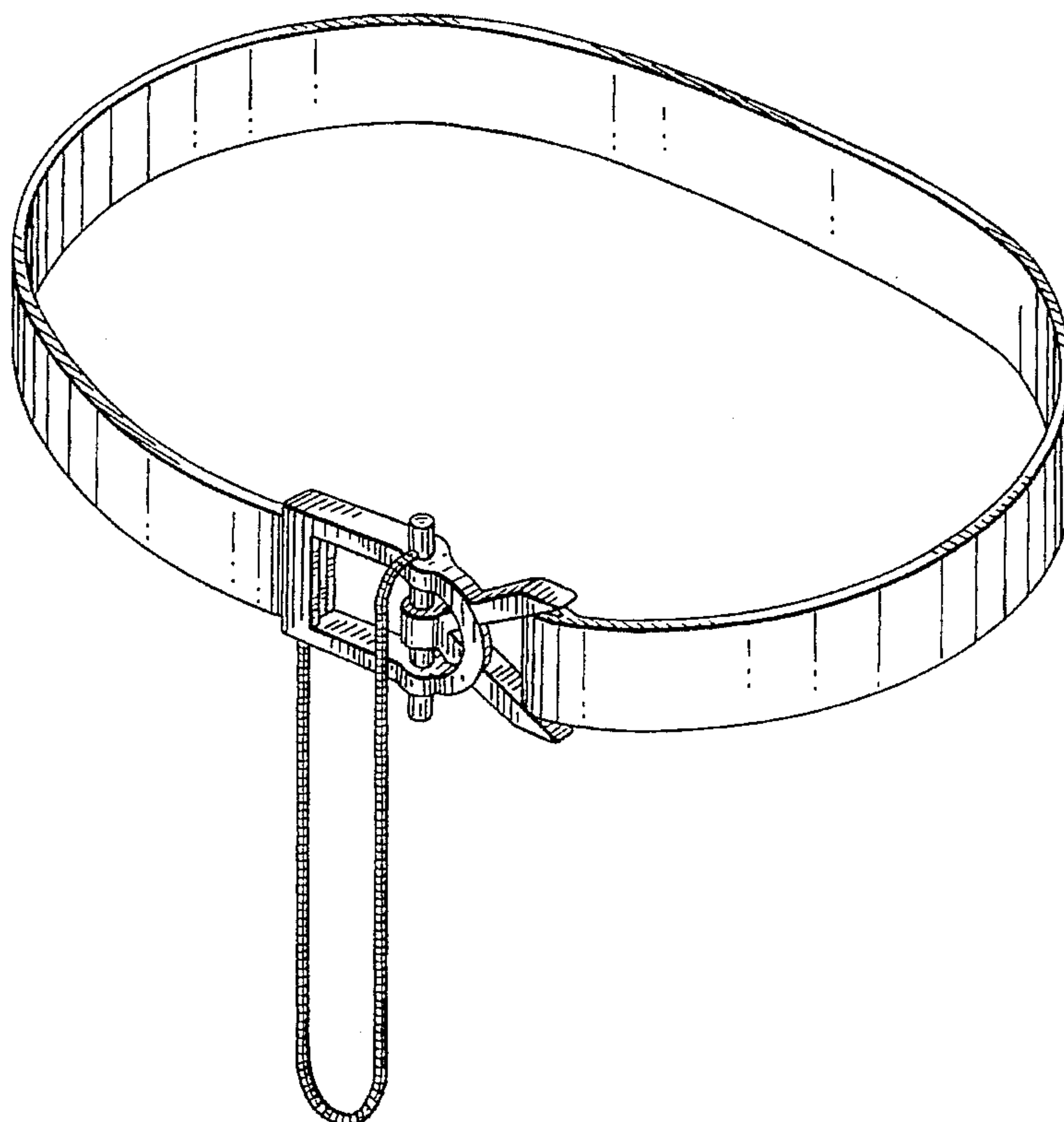


FIG. 1

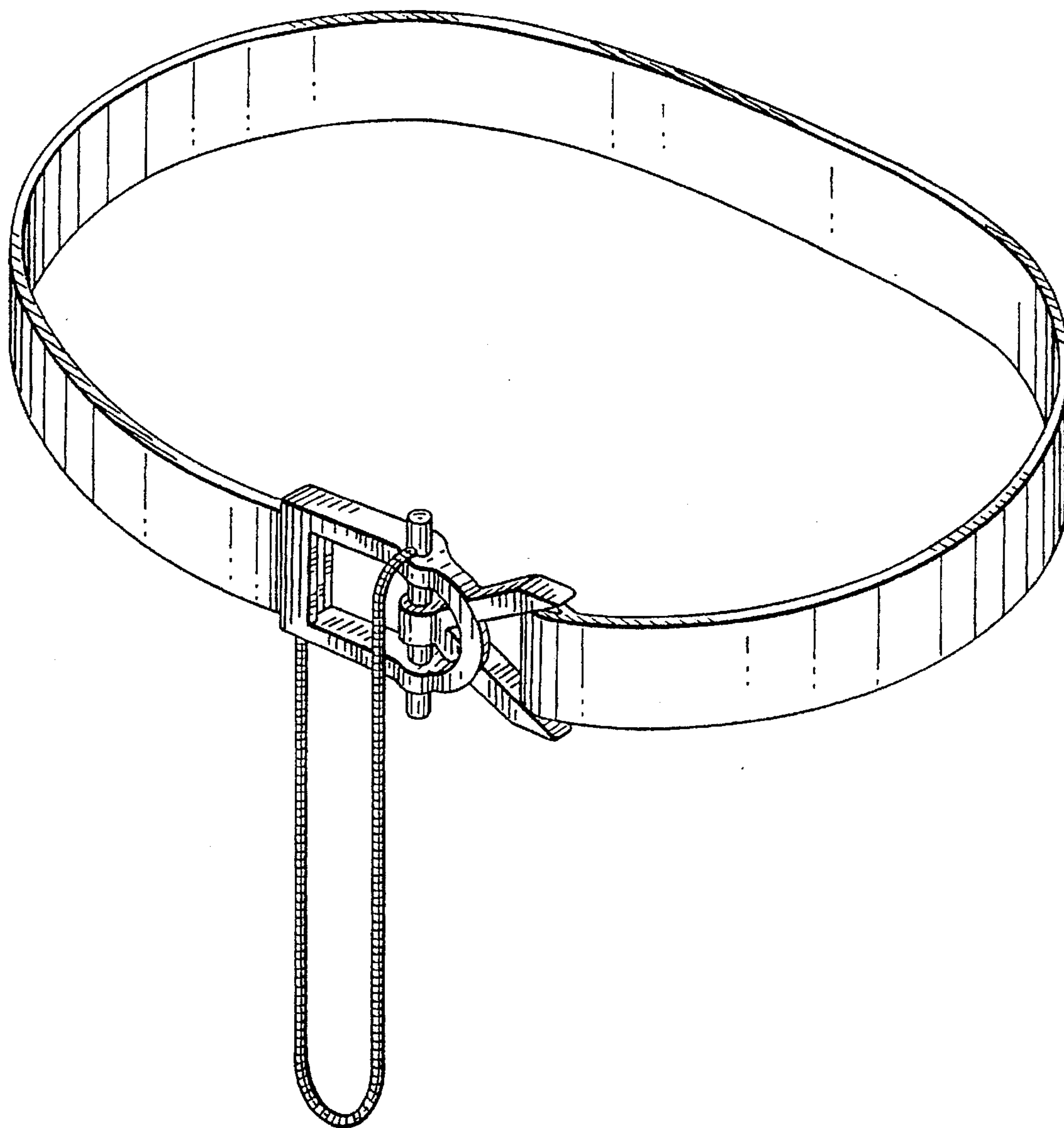
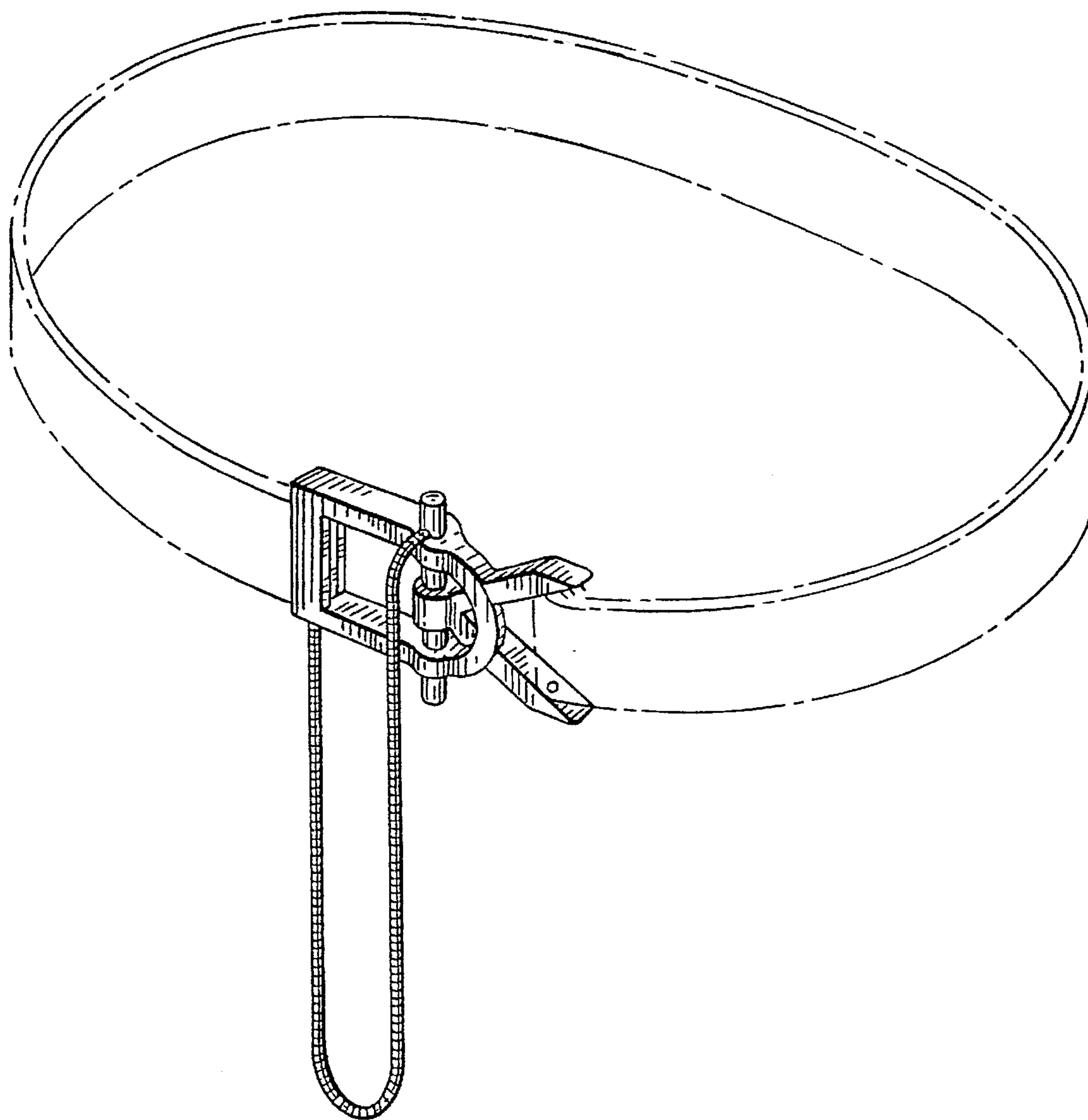


FIG. 2



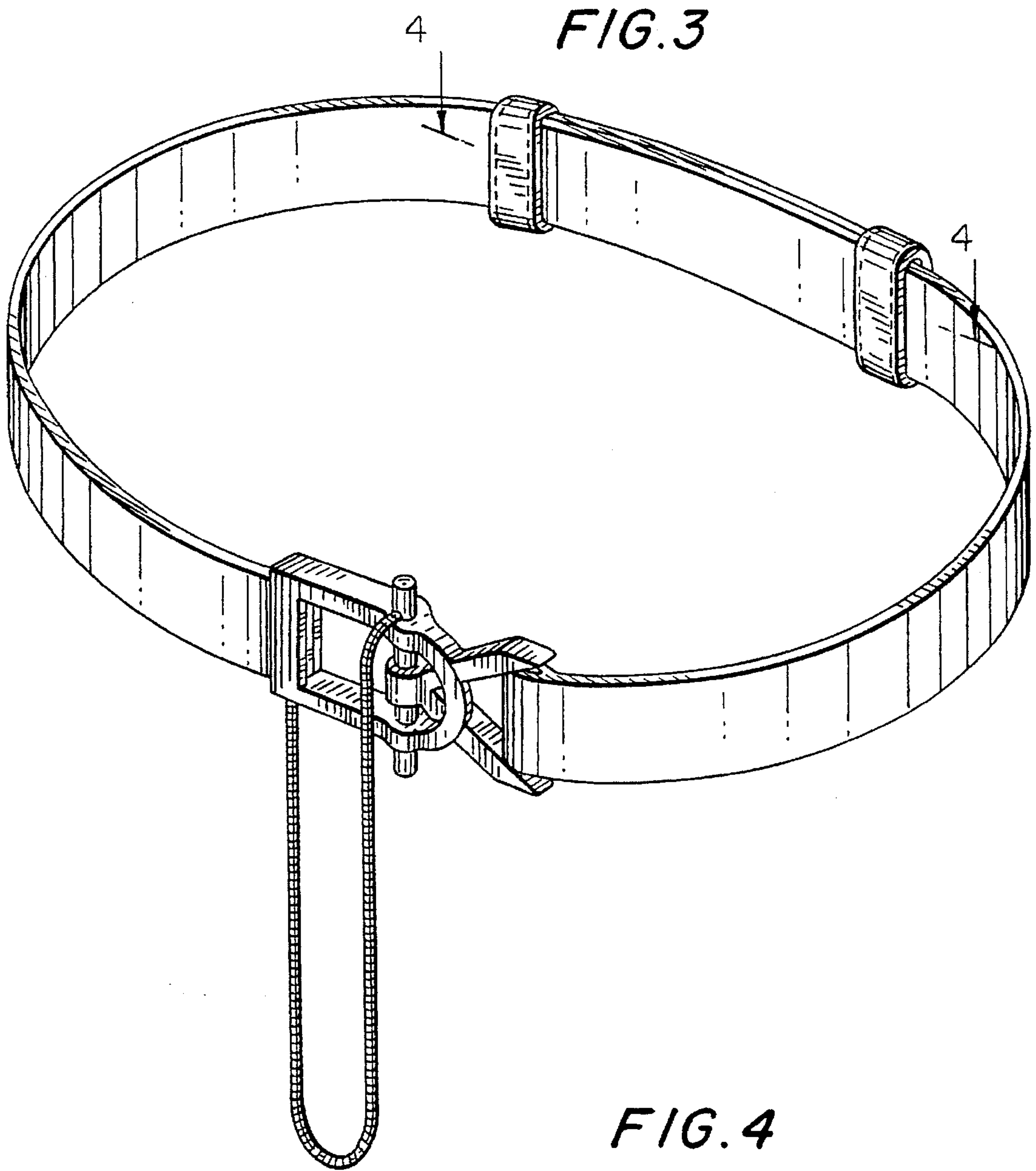




FIG. 5

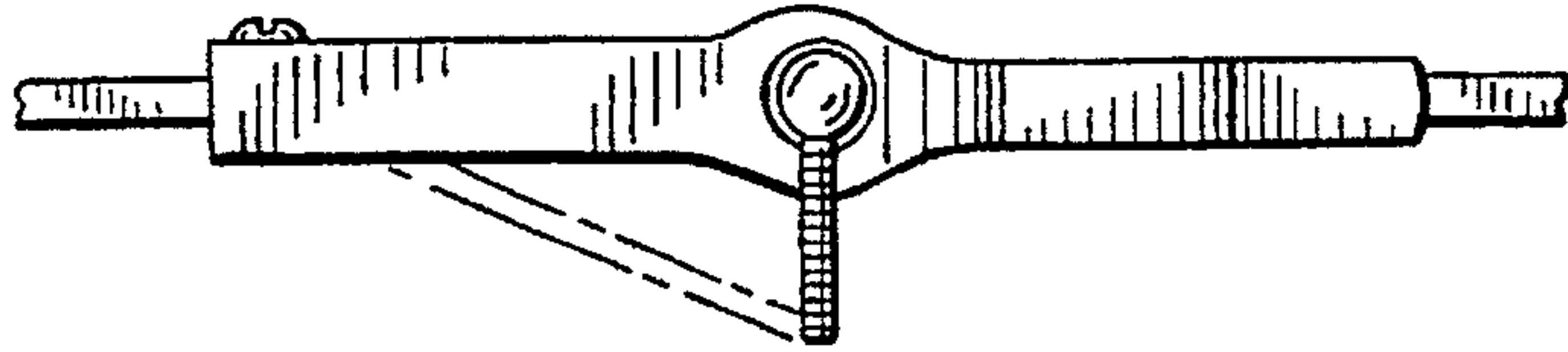


FIG. 7

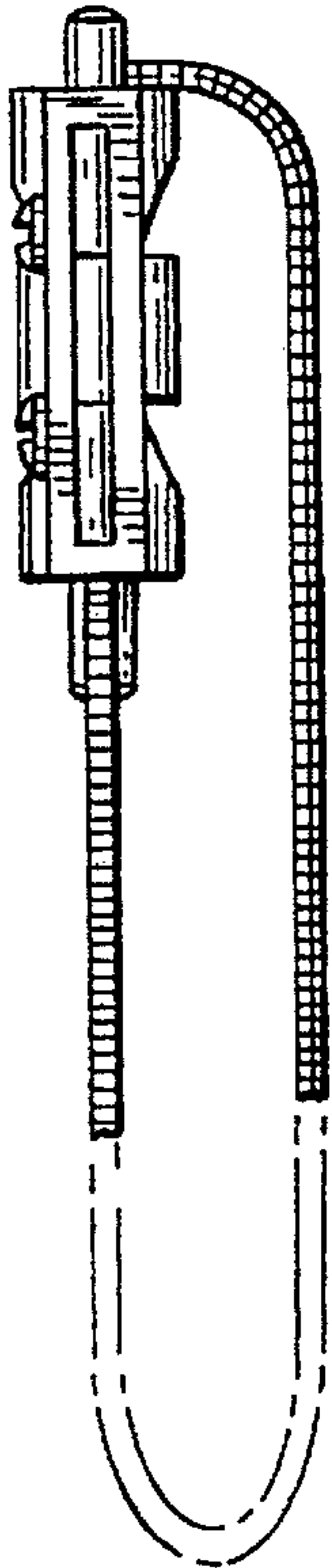


FIG. 8

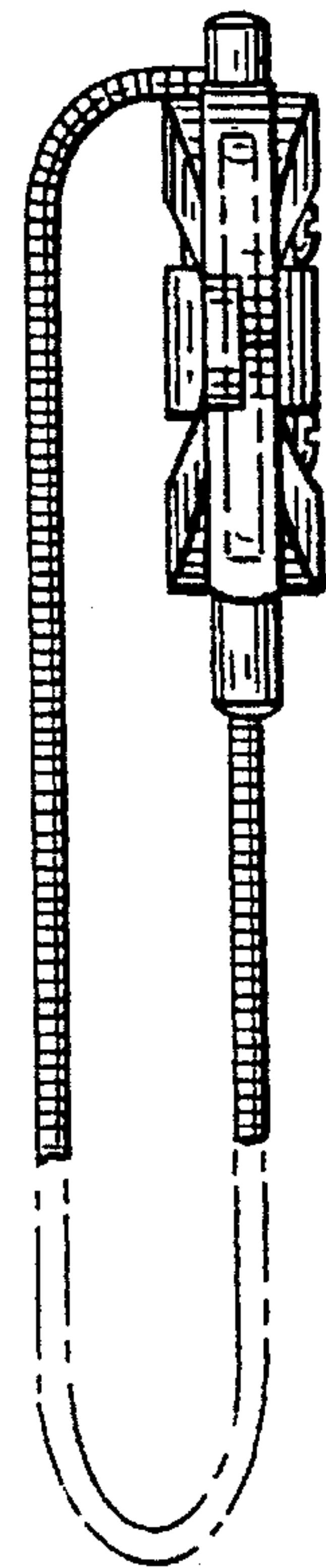


FIG. 6

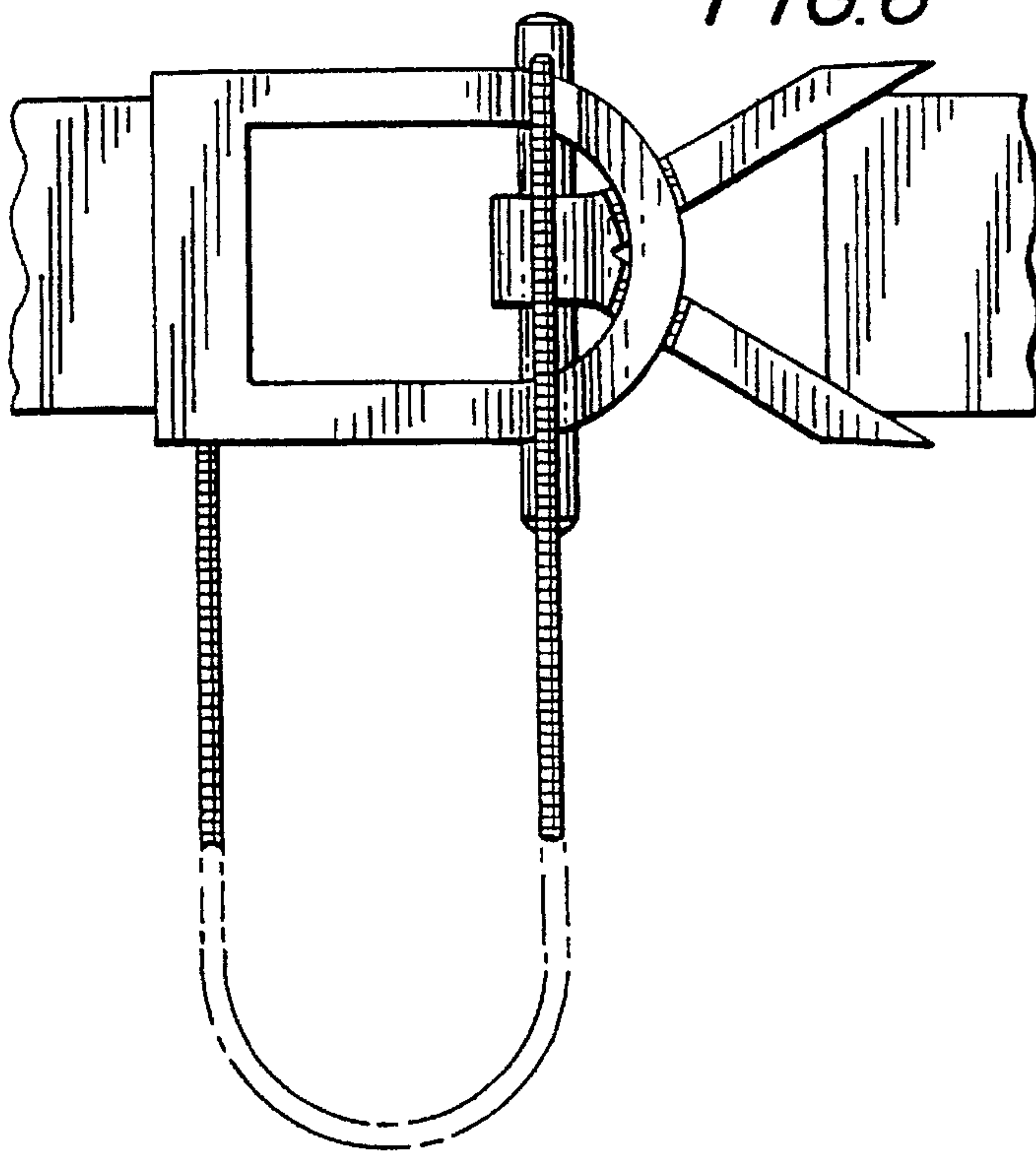
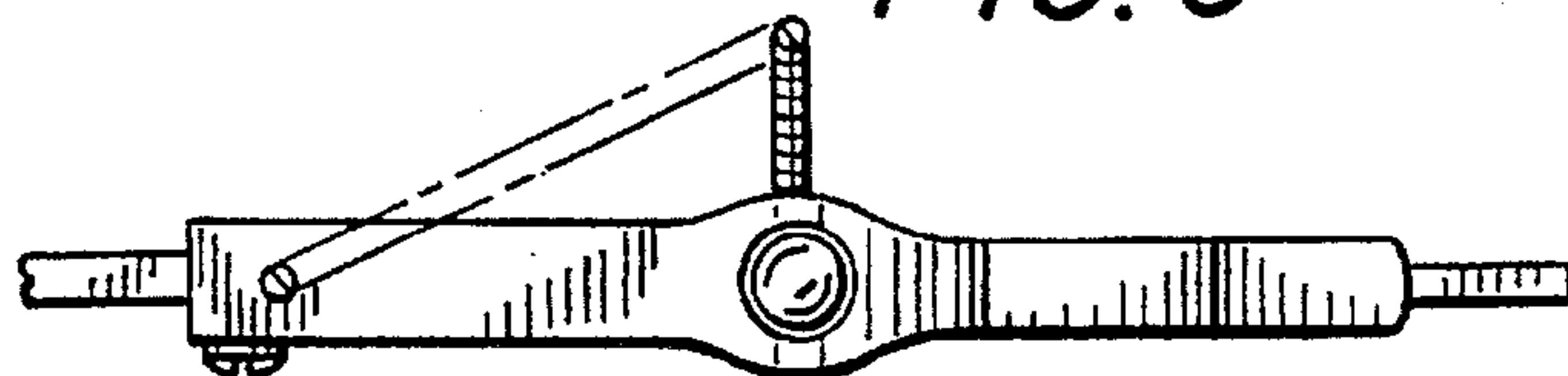
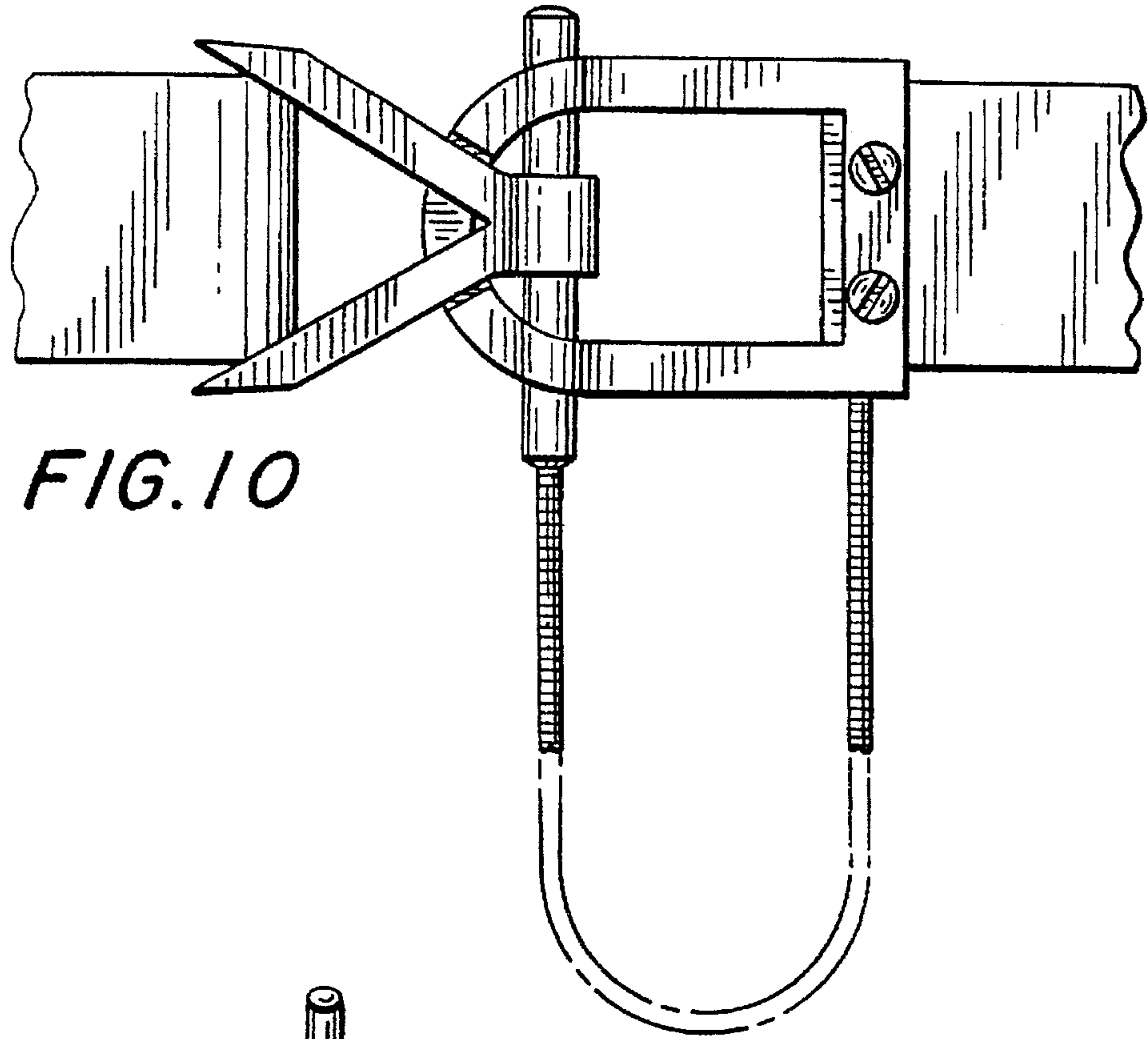
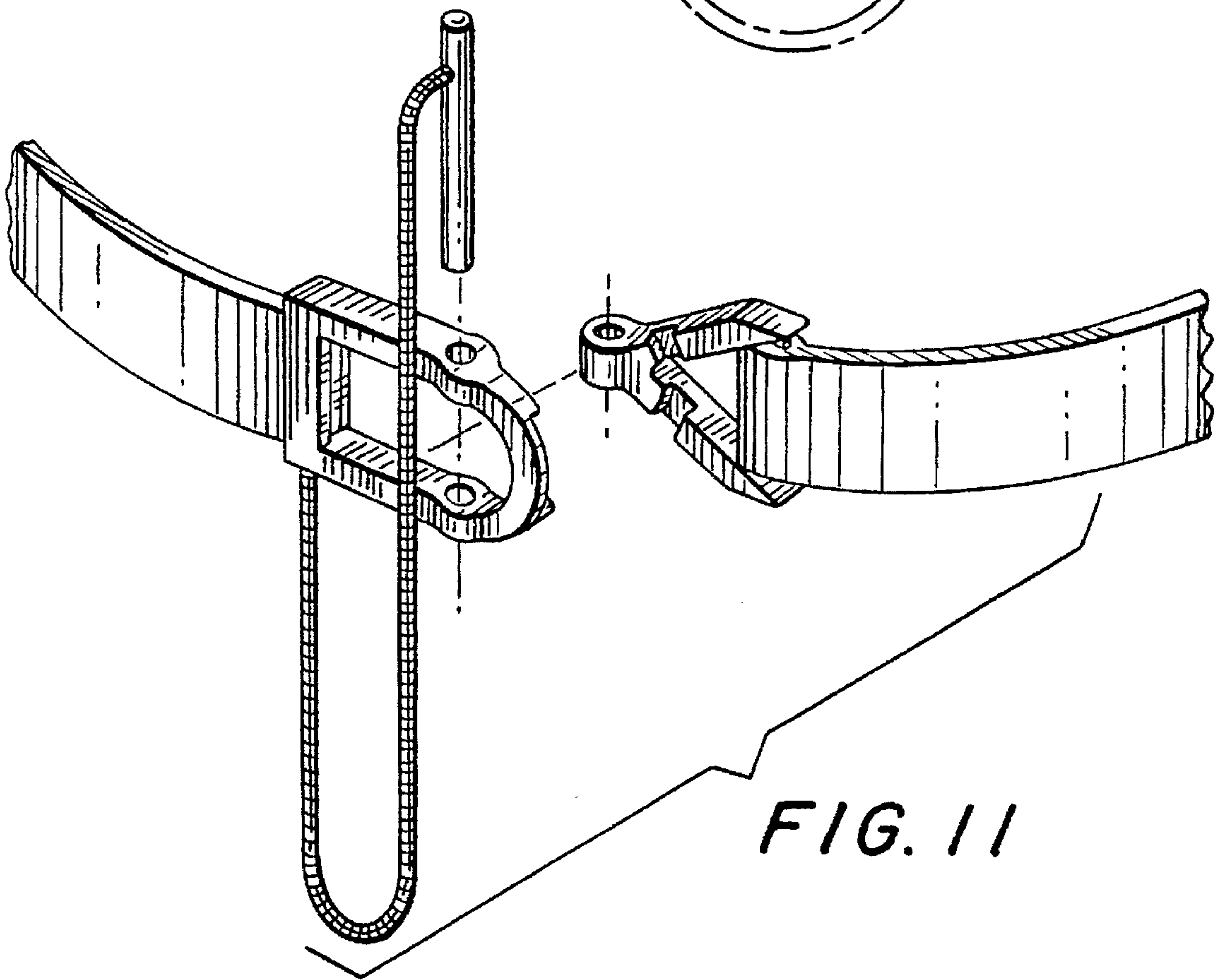


FIG. 9





*FIG. 10*



*FIG. 11*