



US00D380574S

United States Patent [19]

[11] Patent Number: **Des. 380,574**

Nettles

[45] Date of Patent: ****Jul. 1, 1997**

[54] ELECTRIC LAMP WITH OPTIONAL RECHARGEABLE BATTERY OPERATION

[76] Inventor: **Kimberly Nettles**, 4291 Tuxedo, Detroit, Mich. 48204

[**] Term: **14 Years**

[21] Appl. No.: **43,495**

[22] Filed: **Sep. 5, 1995**

[51] LOC (6) Cl. **26-05**

[52] U.S. Cl. **D26/106**

[58] Field of Search D26/93, 102-112; 362/410-414, 183

[56] References Cited

FOREIGN PATENT DOCUMENTS

525482 8/1940 United Kingdom 362/412

OTHER PUBLICATIONS

Tyndale Lamp Catalog, 1974, p. 20, Table Lamp.

Primary Examiner—Susan J. Lucas

[57] CLAIM

The ornamental design for an electric lamp with optional rechargeable battery operation, as shown and described.

DESCRIPTION

FIG. 1 is a right side elevational view of the electric lamp with optional rechargeable battery operation, showing my new design;

FIG. 2 is a left side elevational view thereof;

FIG. 3 is a front elevational view thereof;

FIG. 4 is a rear elevational view thereof;

FIG. 5 is a top plan view thereof; and,

FIG. 6 is a bottom plan view thereof.

1 Claim, 3 Drawing Sheets

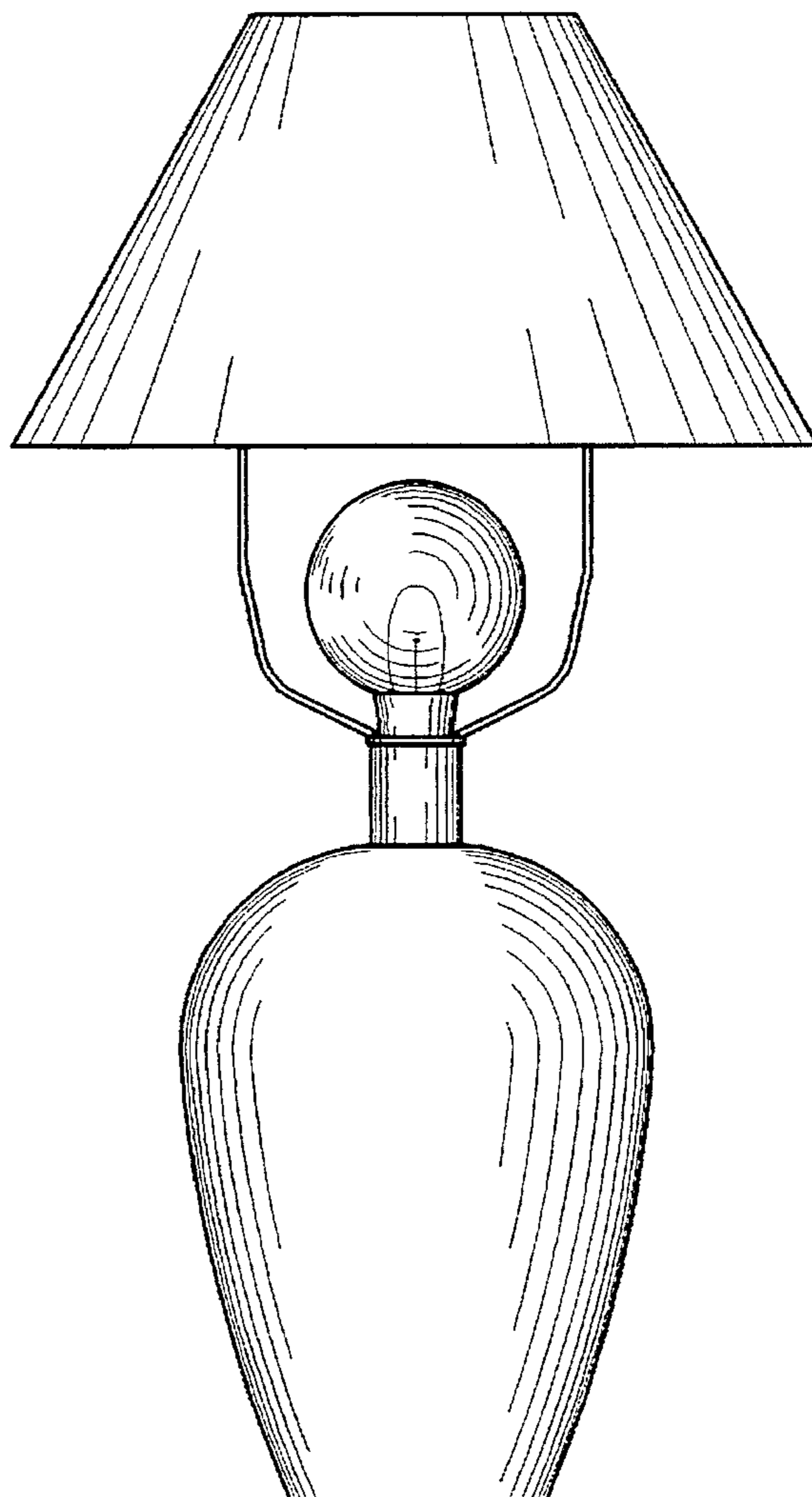
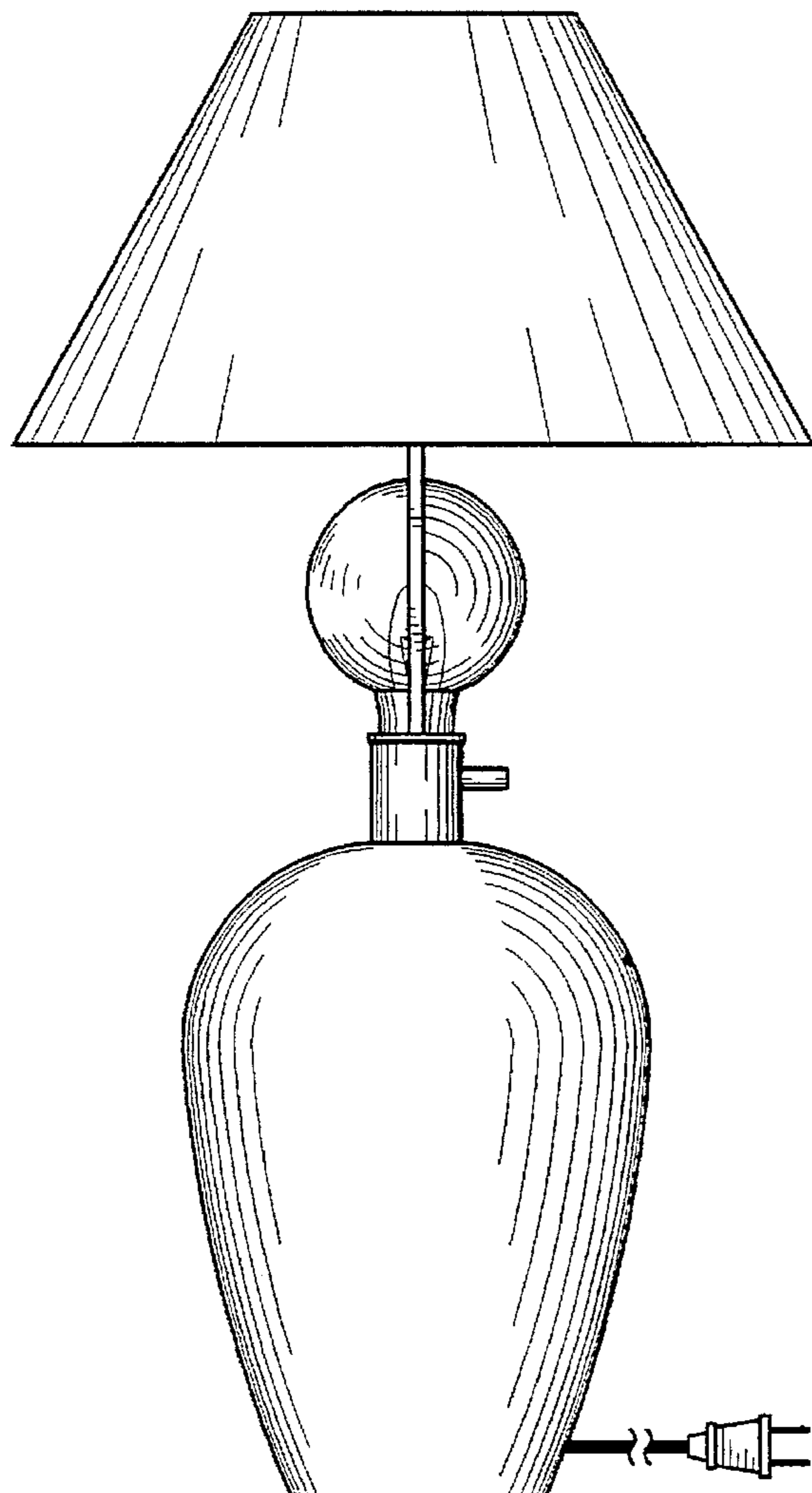


FIG. 1

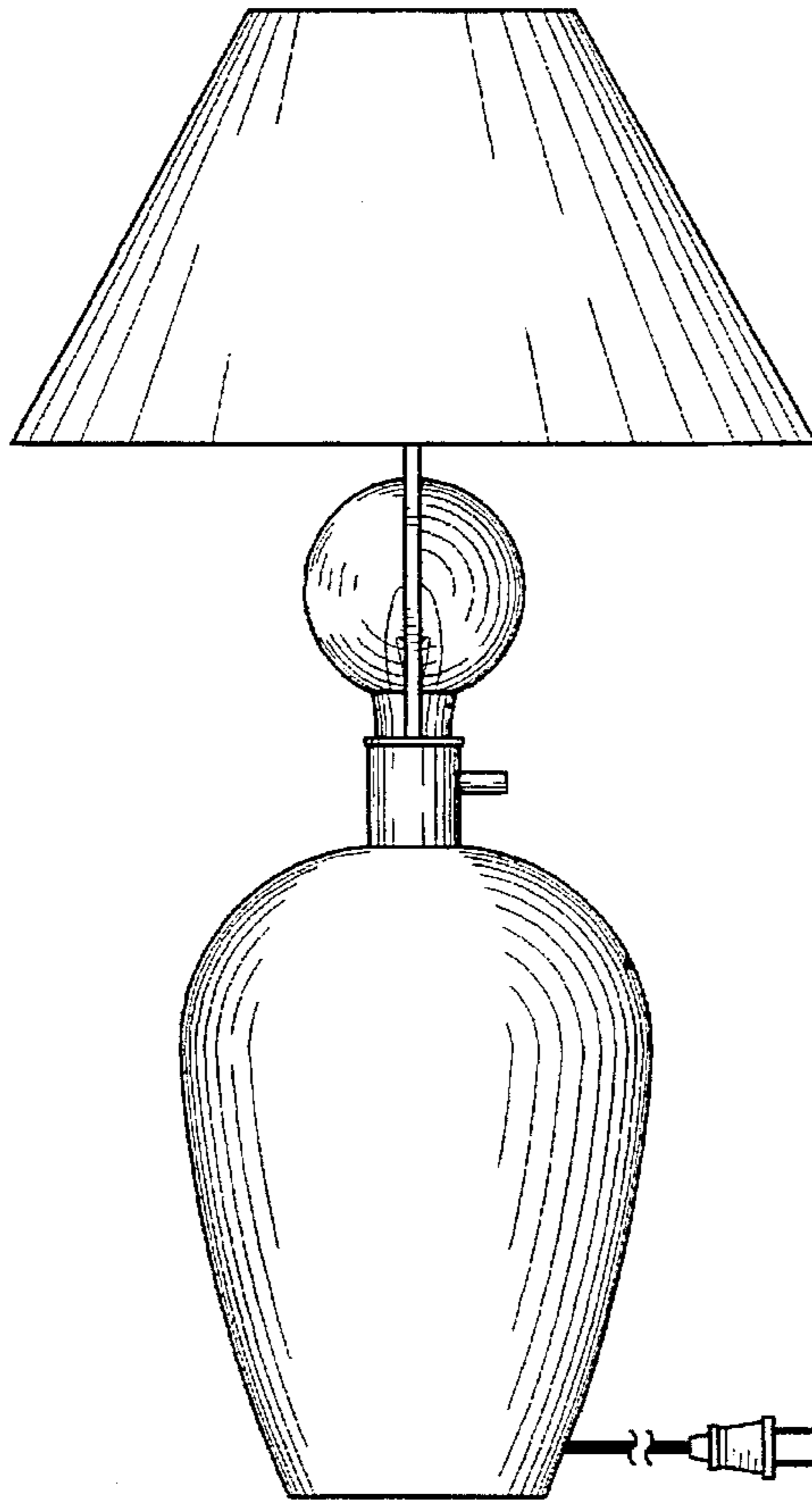


FIG. 2

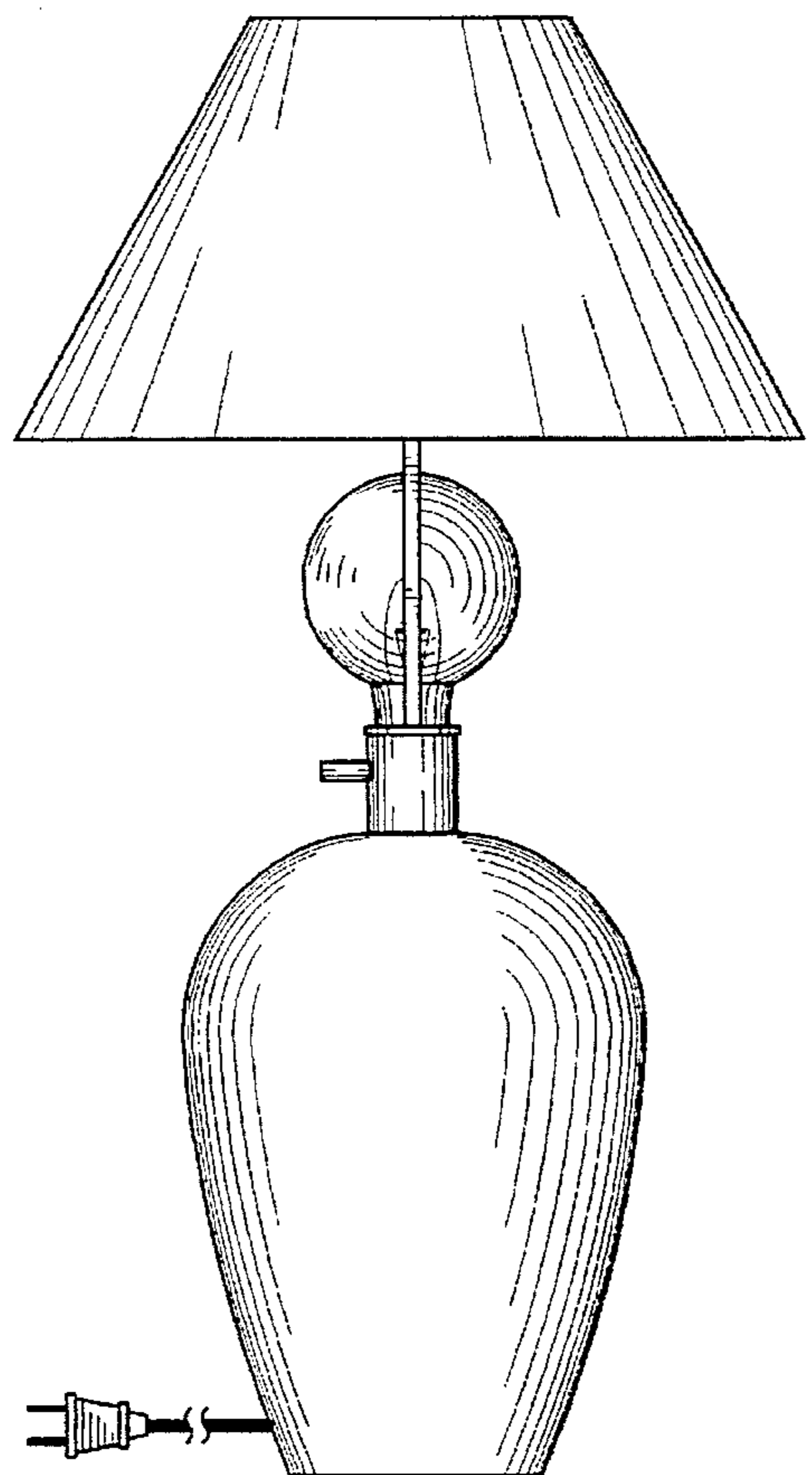


FIG. 3

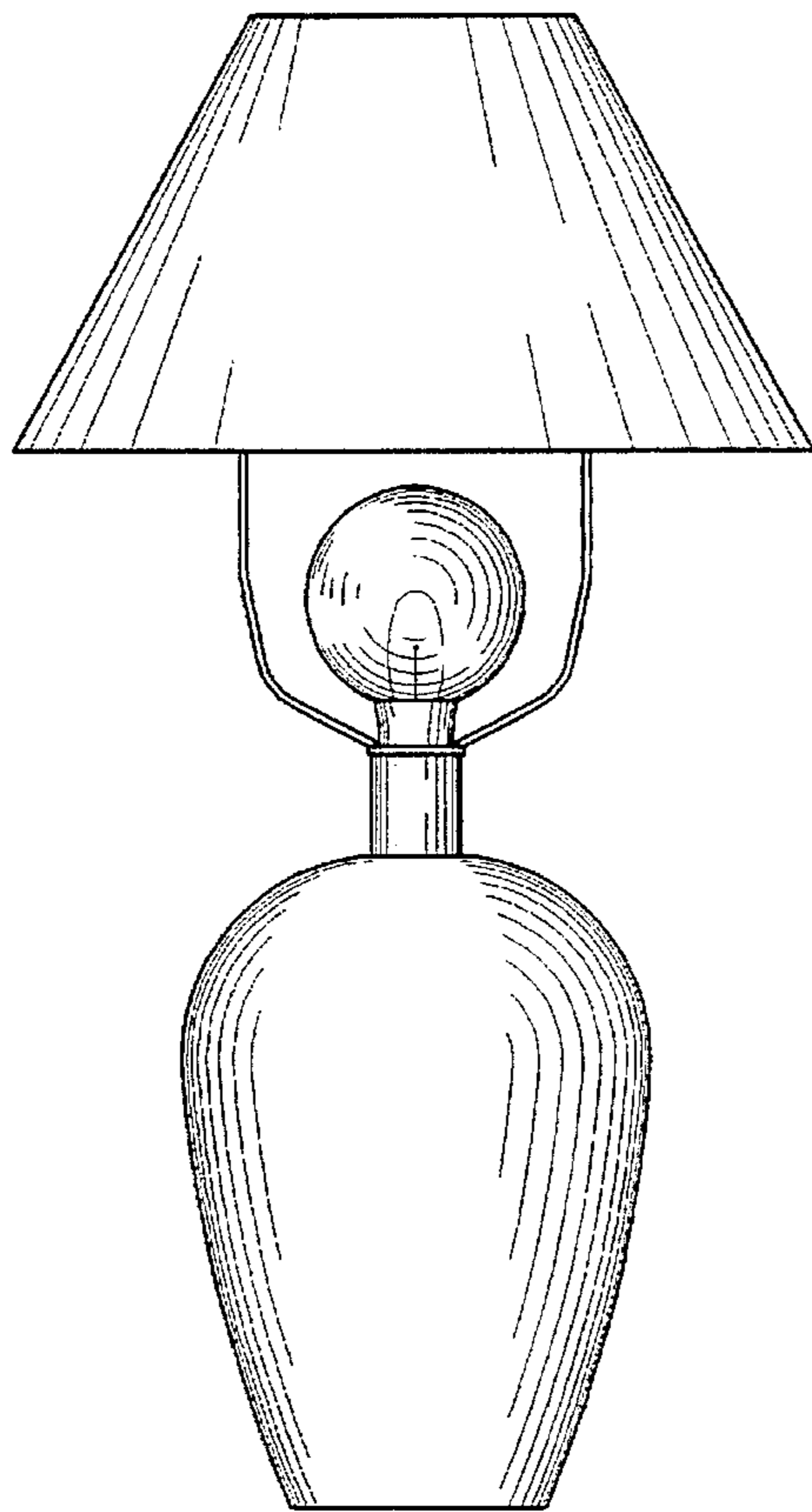


FIG. 4

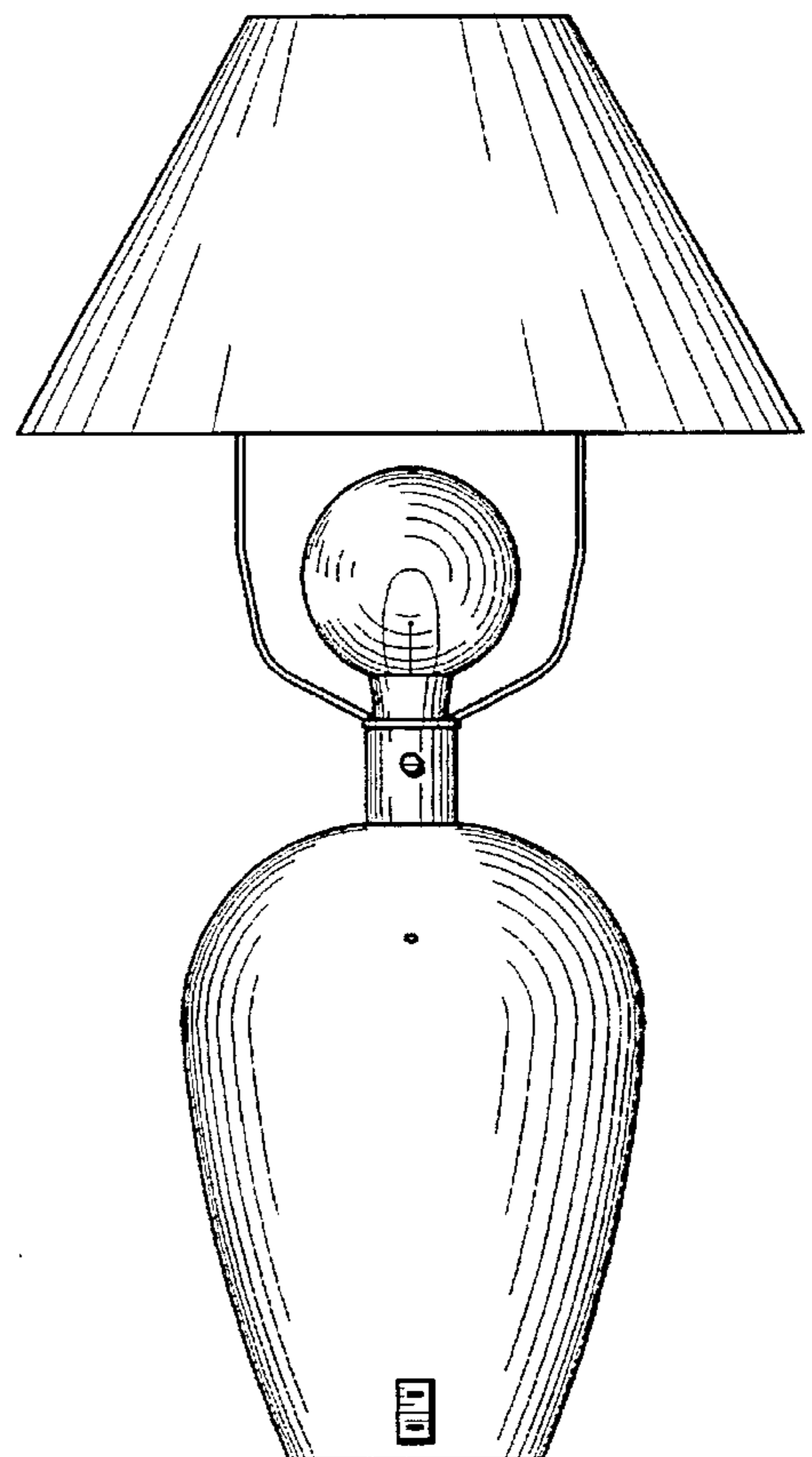


FIG. 5

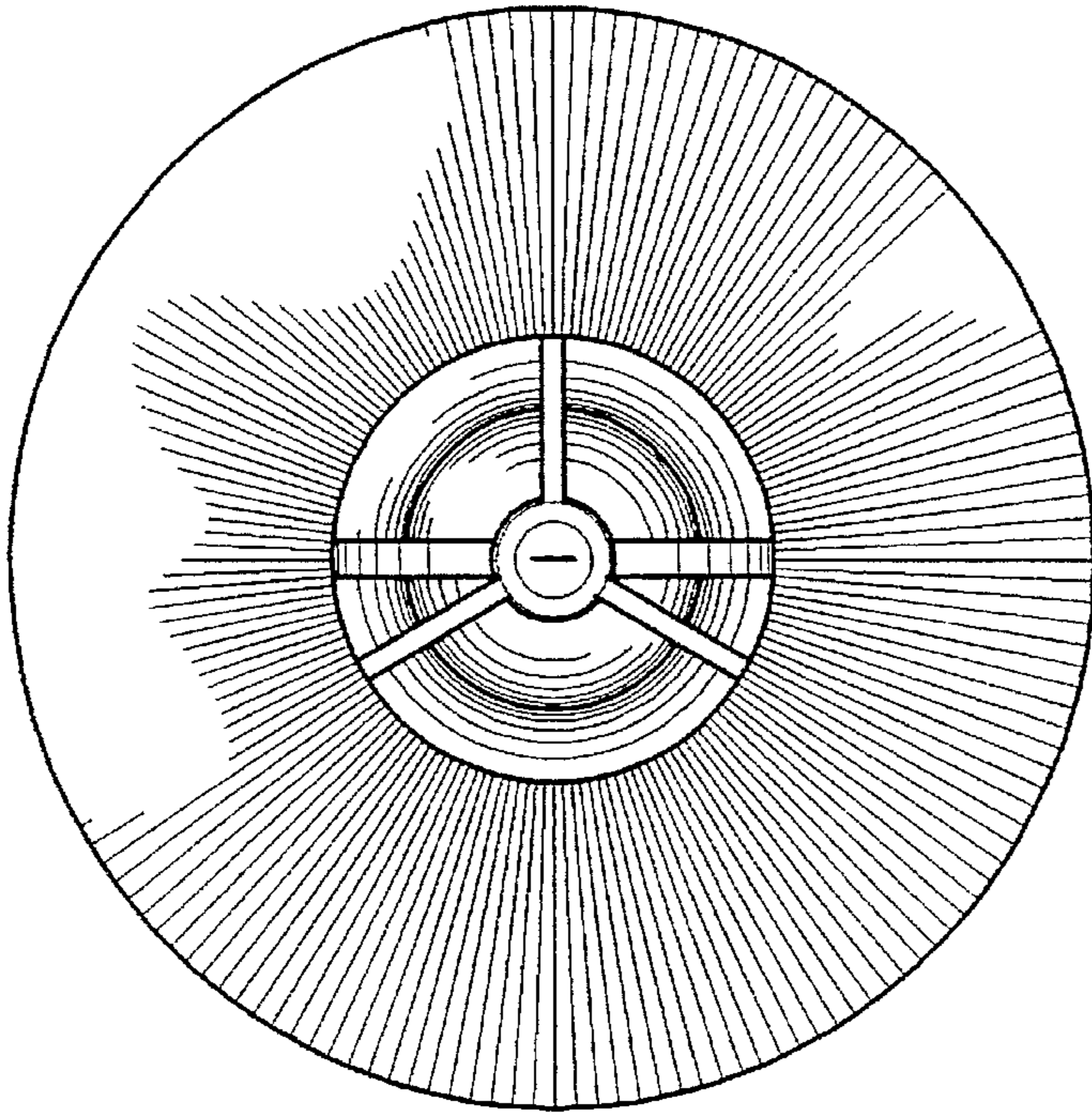


FIG. 6

