



US00D380568S

United States Patent [19]

[11] Patent Number: **Des. 380,568**

Landy

[45] Date of Patent: ****Jul. 1, 1997**

[54] PORTABLE AC/DC FLOODLIGHT

OTHER PUBLICATIONS

[75] Inventor: **Richard Joseph Landy**, Casiaic, Calif.

Grainger 1994 General Catalog No. 385—Selected pages.

[73] Assignee: **Allied Wholesale Inc.**, Sylmar, Calif.

Primary Examiner—Susan J. Lucas
Attorney, Agent, or Firm—Lyon & Lyon

[**] Term: **14 Years**

[57] CLAIM

[21] Appl. No.: **32,381**

The ornamental design for a portable AC/DC floodlight, as shown.

[22] Filed: **Dec. 5, 1994**

DESCRIPTION

[51] LOC (6) Cl. **26-05**

[52] U.S. Cl. **D26/63**

[58] Field of Search D26/63, 61, 65;
362/376, 269, 275, 285, 418, 426, 427,
431

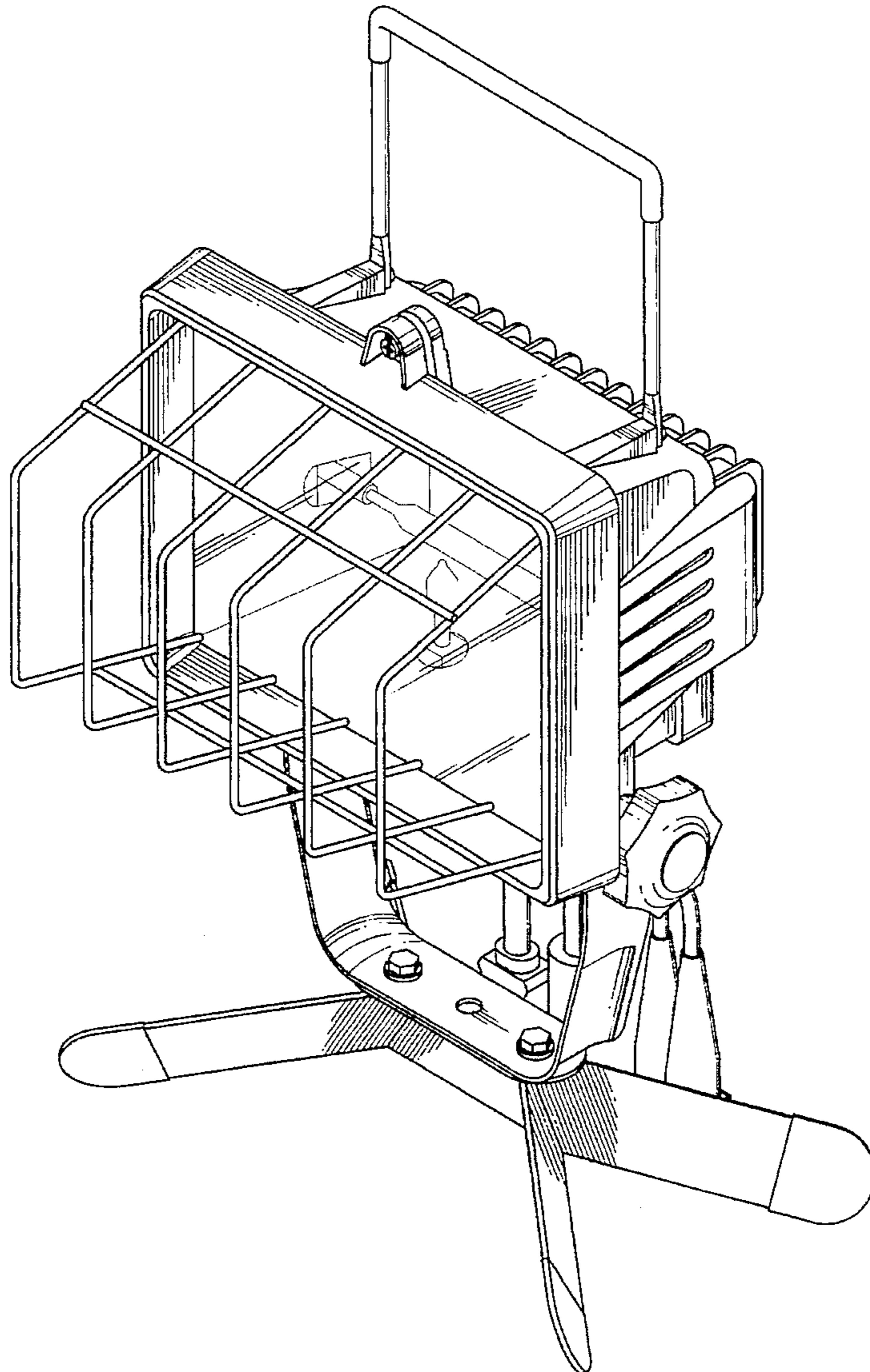
FIG. 1 is an elevated frontal perspective view of the light;
FIG. 2 is an elevated rear perspective view of the light;
FIG. 3 is a side view of the light;
FIG. 4 is a top view of the light;
FIG. 5 is a front view of the light;
FIG. 6 is a bottom view of the light; and,
FIG. 7 is a rear view of the light.

[56] References Cited

U.S. PATENT DOCUMENTS

5,195,823 3/1993 Sidabras 362/387
5,205,645 4/1993 Lee 362/431

1 Claim, 7 Drawing Sheets



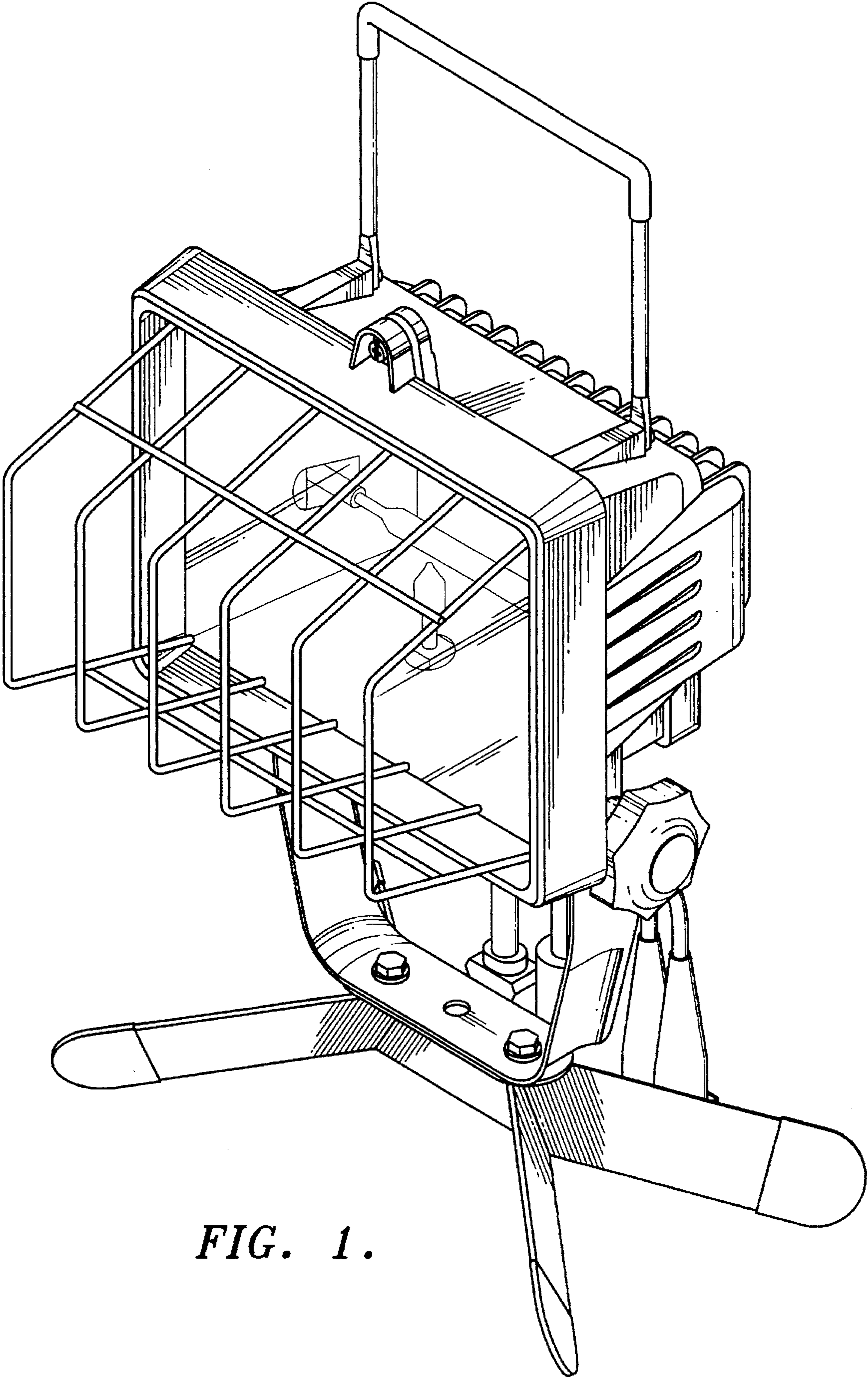


FIG. 1.

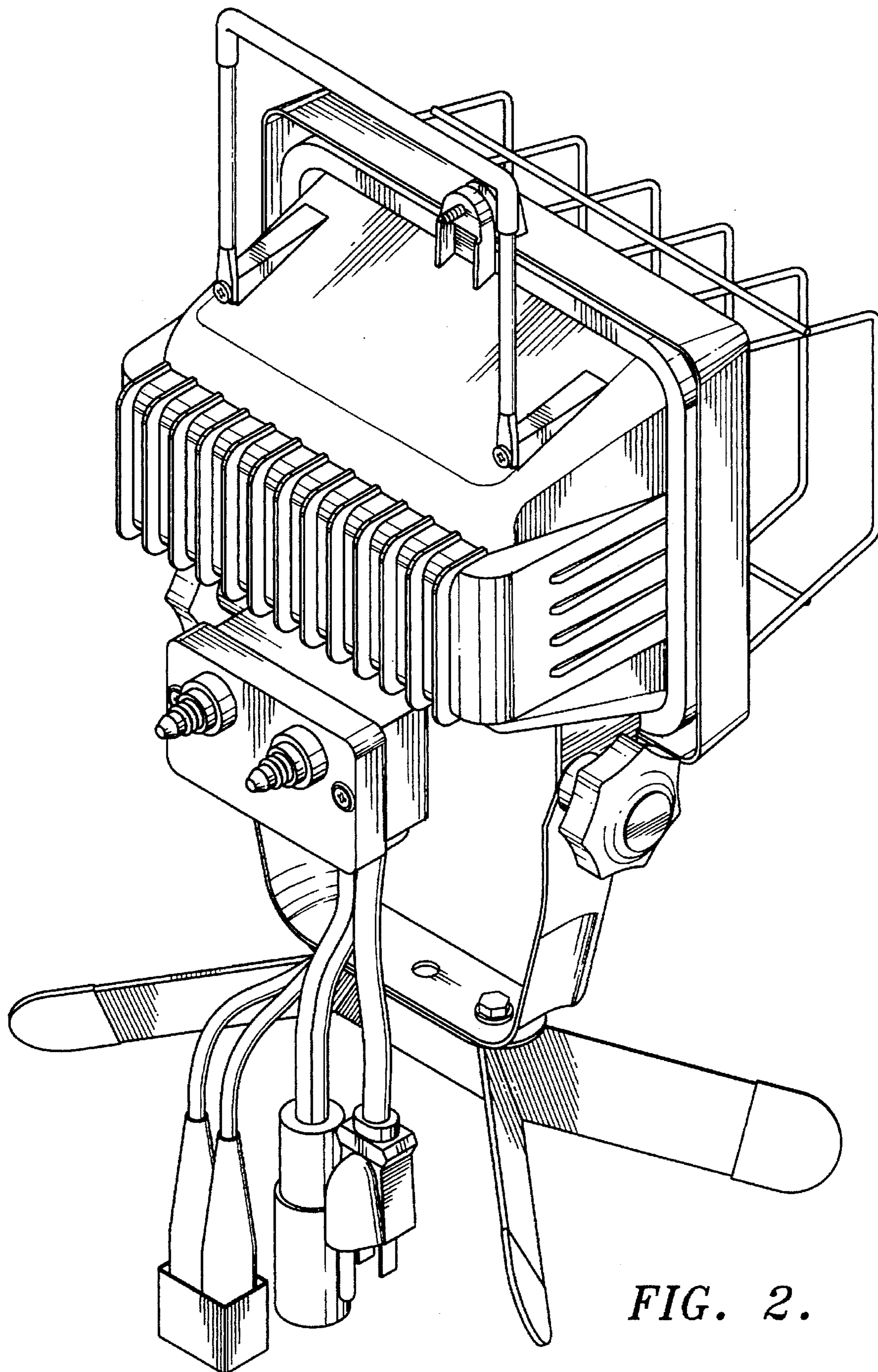


FIG. 2.

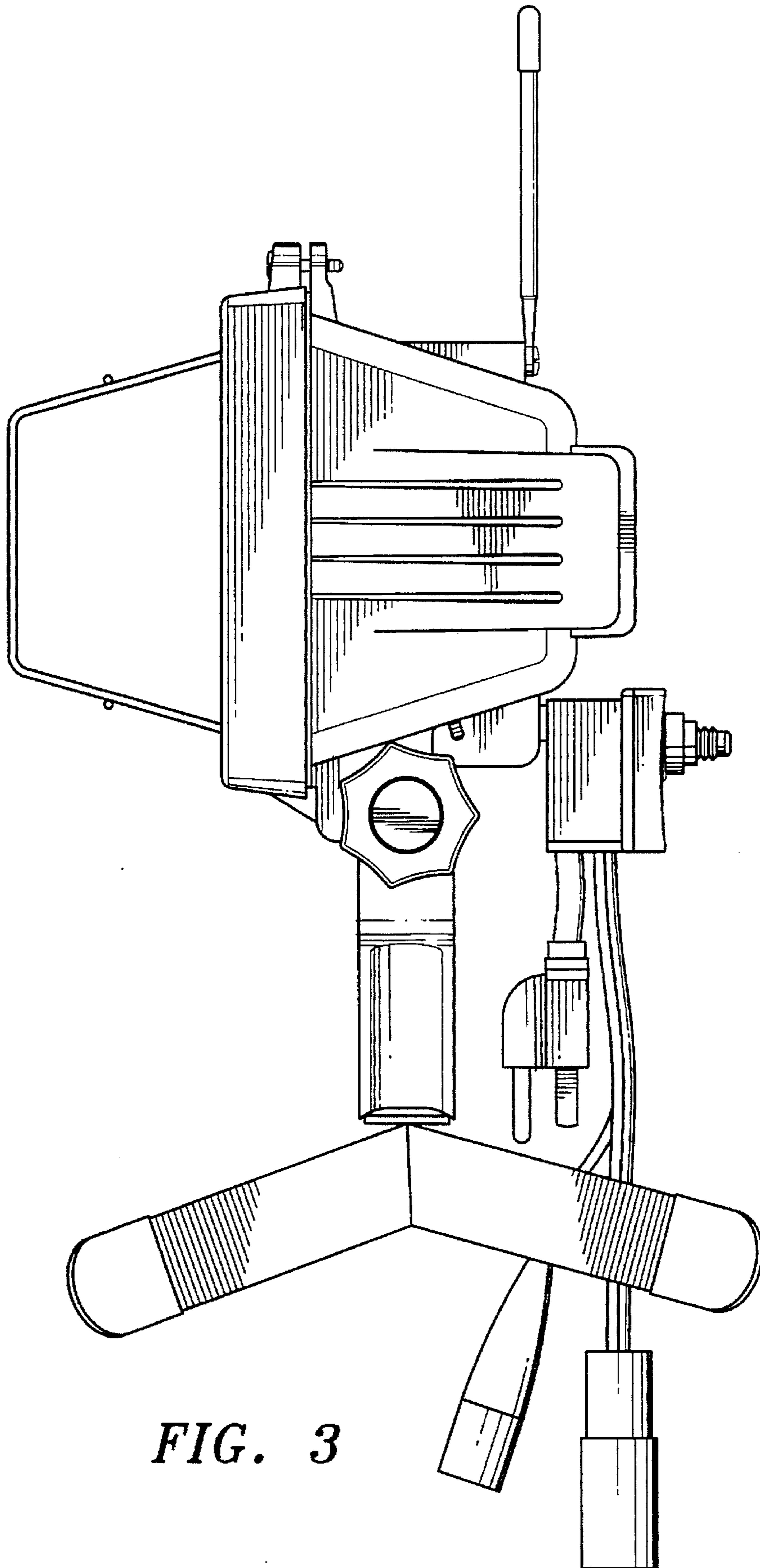


FIG. 3

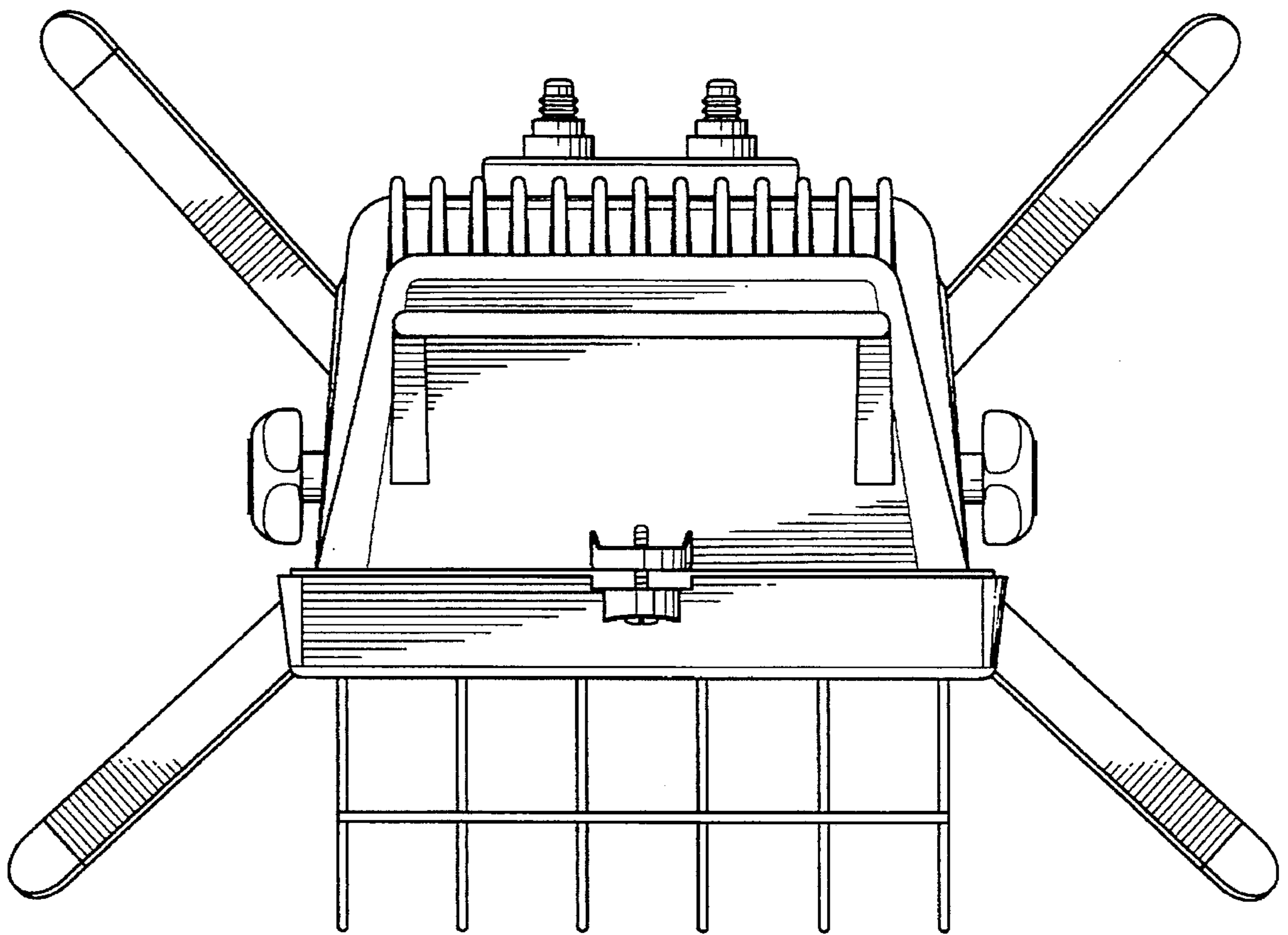


FIG. 4.

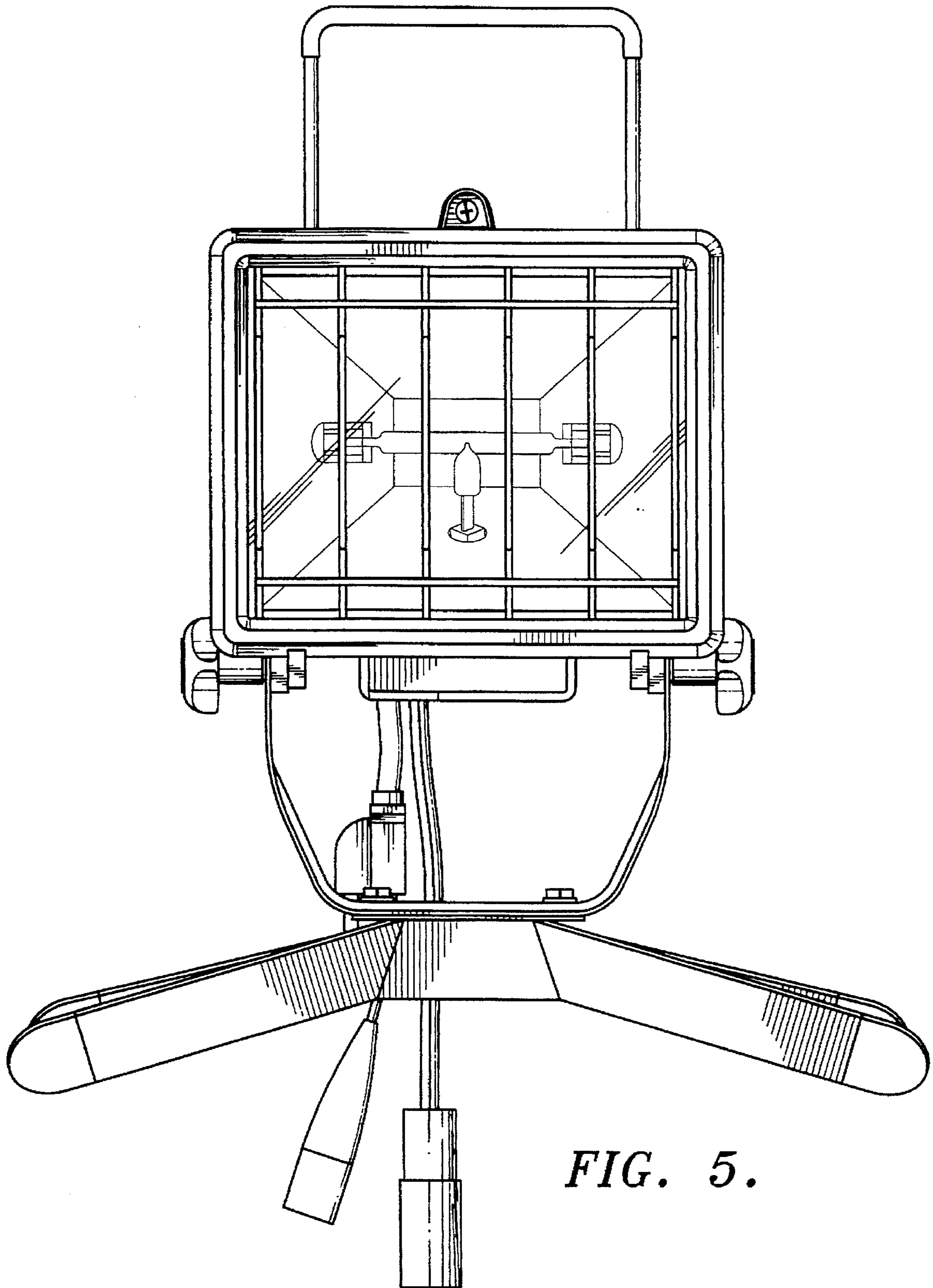


FIG. 5.

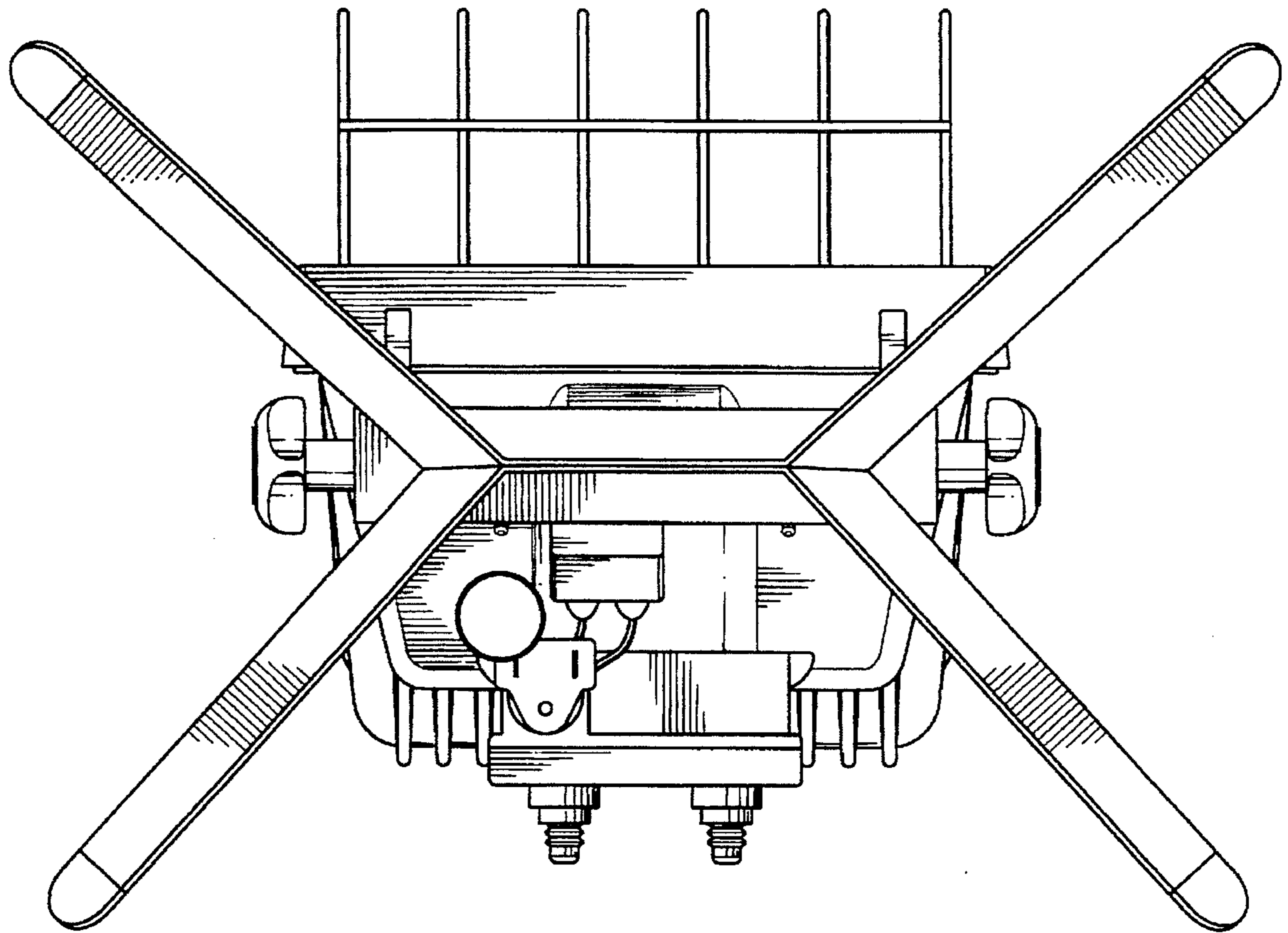


FIG. 6.

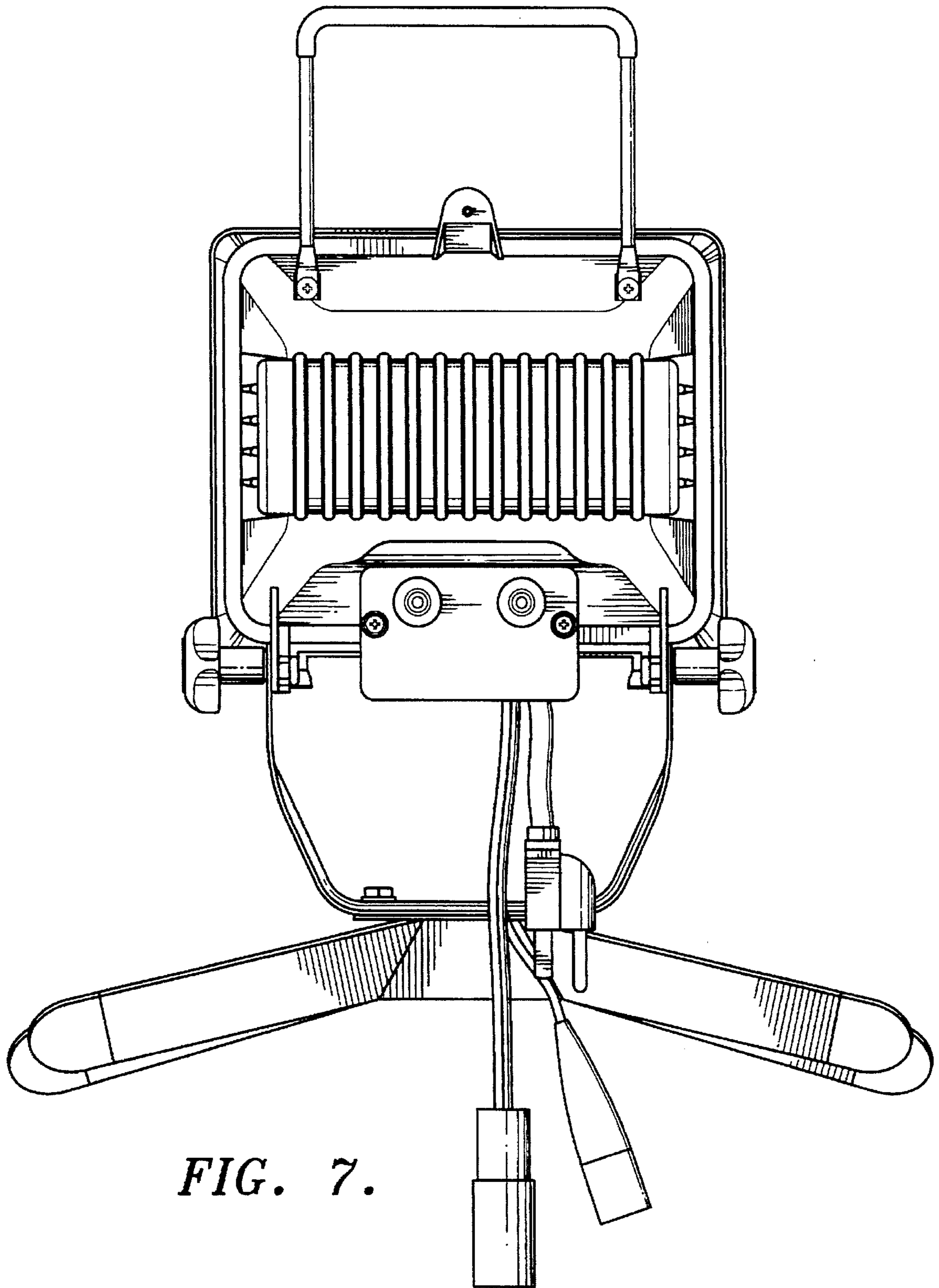


FIG. 7.