

US00D380561S

United States Patent [19]
Colitto

[11] **Patent Number: Des. 380,561**

[45] **Date of Patent: **Jul. 1, 1997**

[54] **SILL**

4,715,152 12/1987 Tanikawa 49/408
5,212,921 5/1993 Unruh 49/504

[75] **Inventor: Domenic Colitto, Bolton, Canada**

[73] **Assignee: Royal Extrusions Limited,
Woodbridge, Canada**

Primary Examiner—Doris Clark

[**] **Term: 14 Years**

[57] **CLAIM**

The ornamental design for a sill, as shown and described.

[21] **Appl. No.: 55,312**

DESCRIPTION

[22] **Filed: Jun. 3, 1996**

[51] **LOC (6) Cl. 25-01**

[52] **U.S. Cl. D25/124**

[58] **Field of Search D25/52, 119-125,
D25/48, 60; 49/504, 505, DIG. 2, 410-414,
419, 423; 52/204.5, 730.3, 730.4, 730.5**

FIG. 1 is a perspective view of the sill to which the design is applied; and,

FIG. 2 is an end view of the sill.

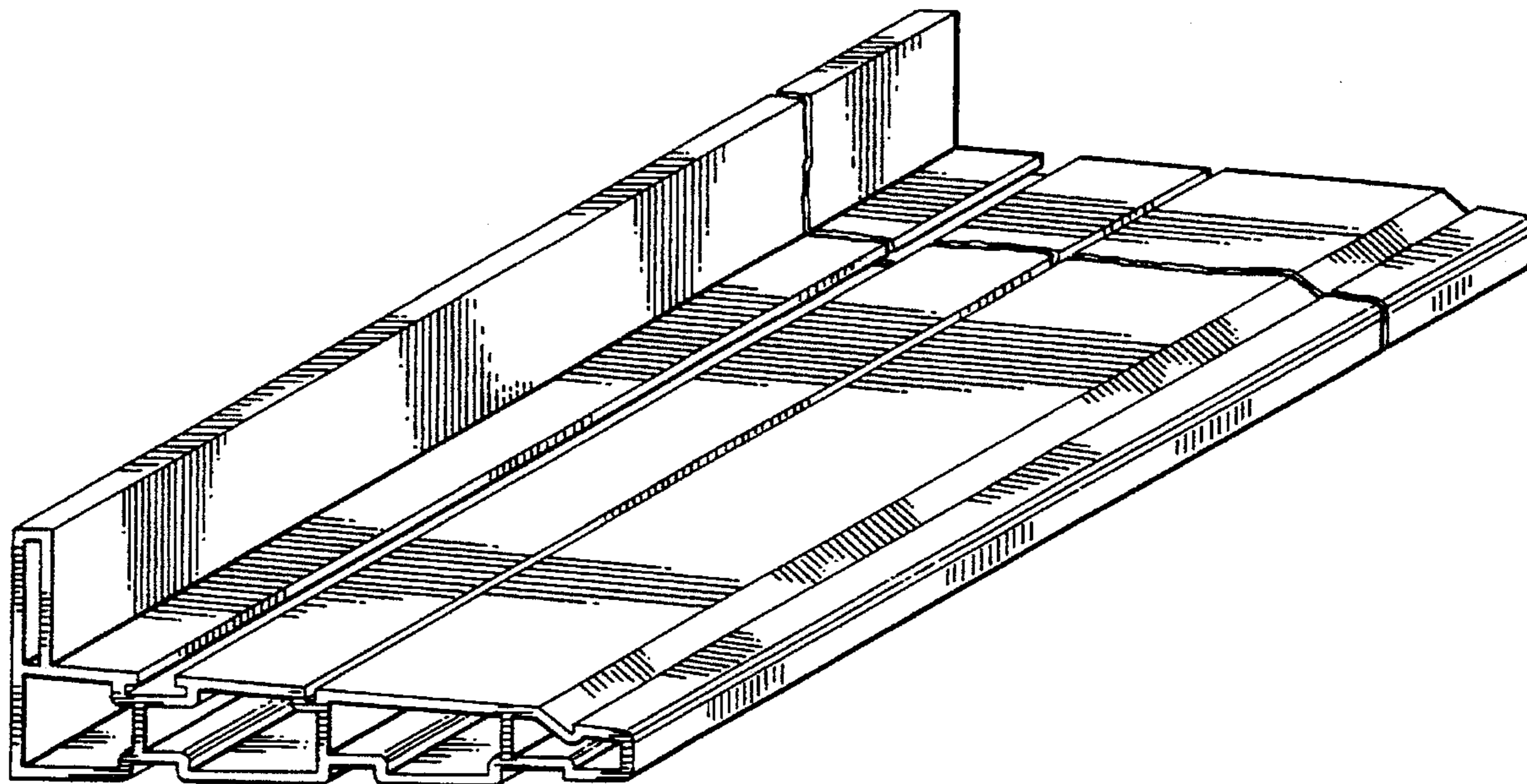
The sill is broken away near the end to indicate indeterminate length.

[56] **References Cited**

U.S. PATENT DOCUMENTS

D. 363,796 10/1995 Hosseini D25/124

1 Claim, 1 Drawing Sheet



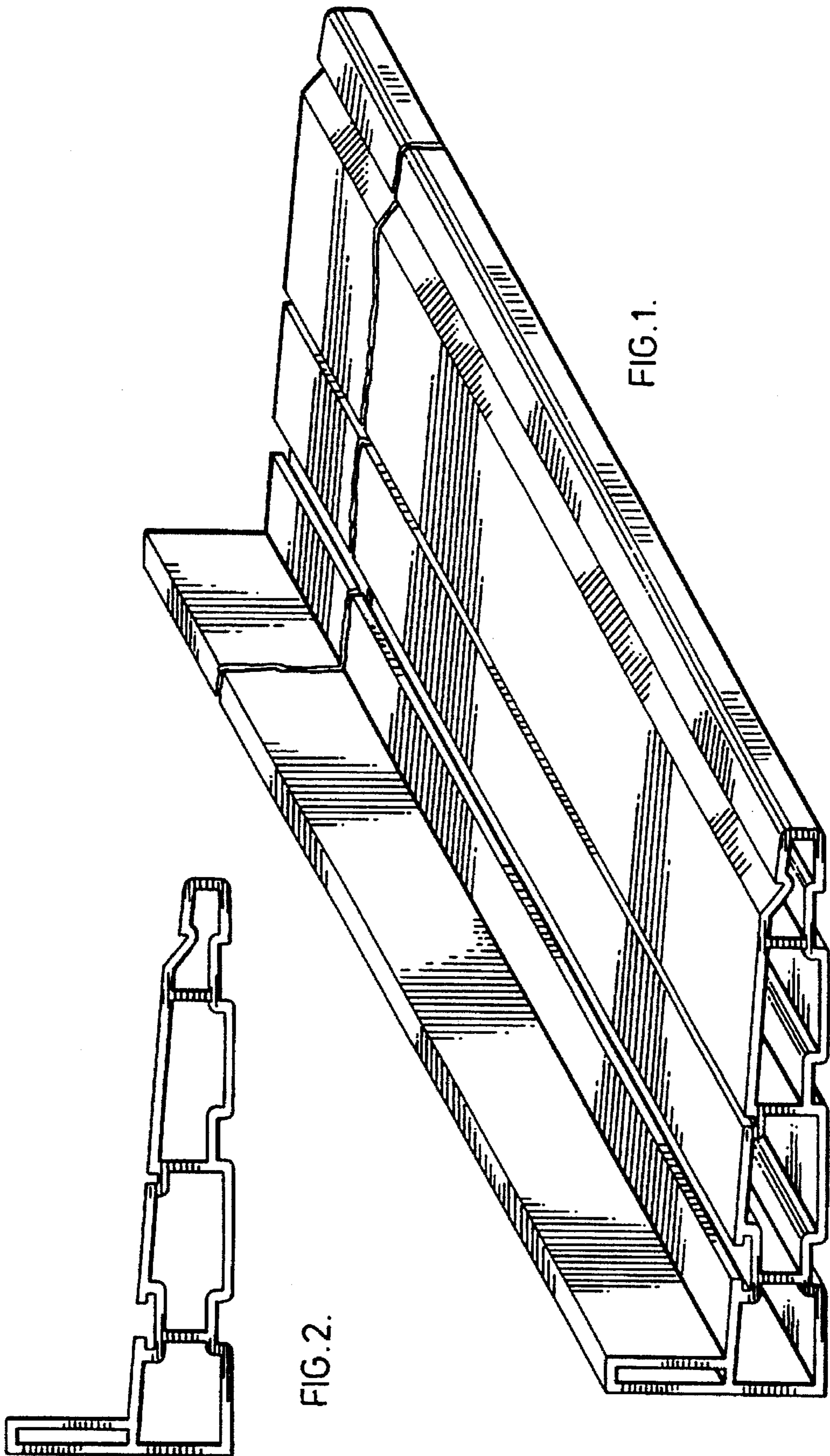


FIG. 1.

FIG. 2.