

US00D380558S

# United States Patent [19]

Clavin

[11] Patent Number: **Des. 380,558**

[45] Date of Patent: **\*\*Jul. 1, 1997**

[54] **SAWHORSE**

[76] Inventor: **Michael Ray Clavin**, 3326 Arsenal St.,  
St. Louis, Mo. 63118

[\*\*] Term: **14 Years**

[21] Appl. No.: **18,599**

[22] Filed: **Feb. 10, 1994**

[51] LOC (6) Cl. .... **25-04**

[52] U.S. Cl. .... **D25/64**

[58] Field of Search ..... D25/64, 62, 67;  
182/153, 155, 181, 224-227, 182-186

[56] **References Cited**

**U.S. PATENT DOCUMENTS**

D. 328,355	7/1992	Librach	.....	D25/67
1,680,065	8/1928	Proctor	.....	182/184
1,739,718	12/1929	Gouldh	.....	182/153

2,635,013	4/1953	Doucette	.....	182/181
3,700,072	10/1972	Lovett	.....	182/155
4,030,565	6/1977	Chaput	.....	182/186

*Primary Examiner*—Doris Clark  
*Attorney, Agent, or Firm*—Haverstock, Garrett and Roberts

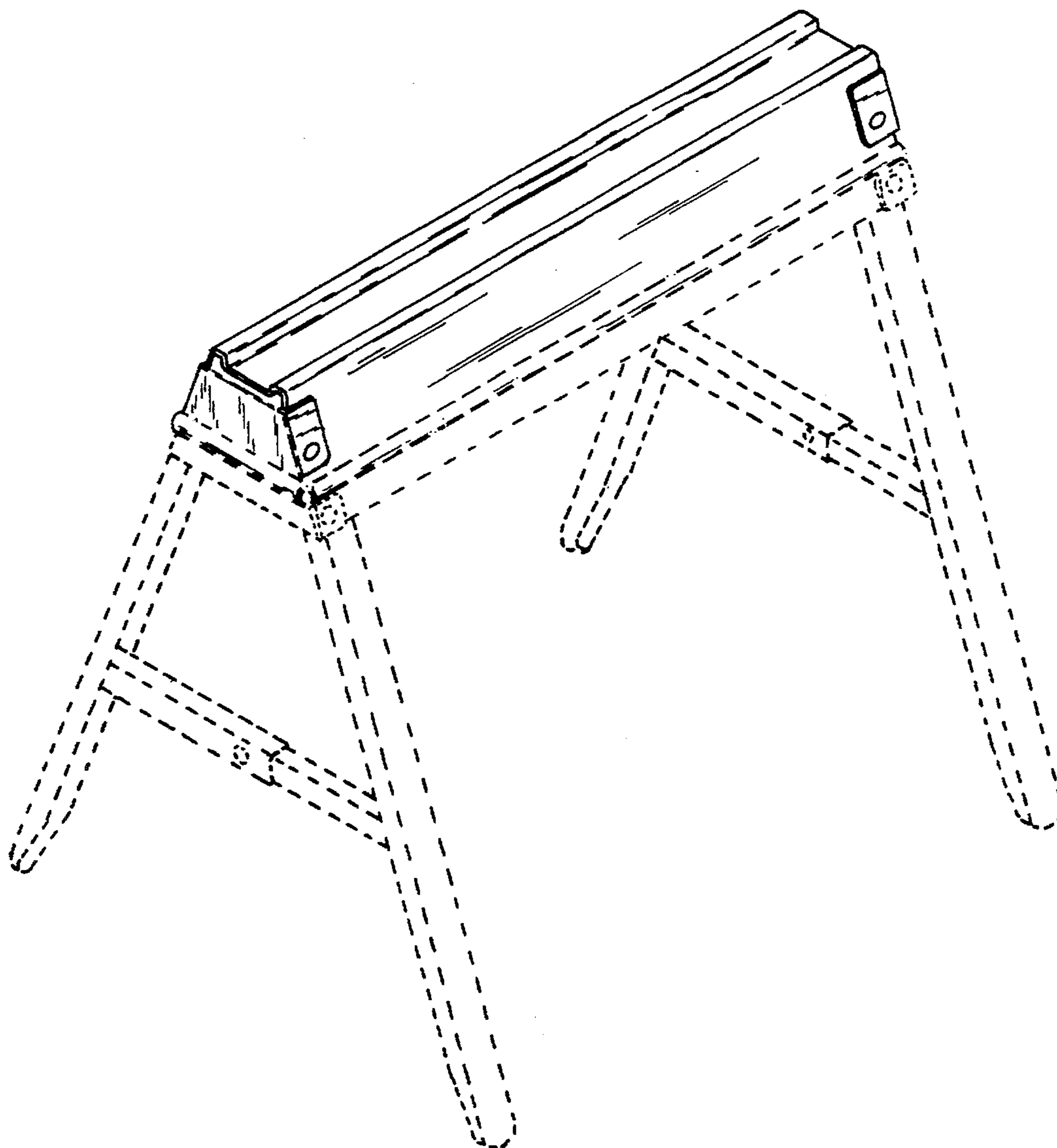
[57] **CLAIM**

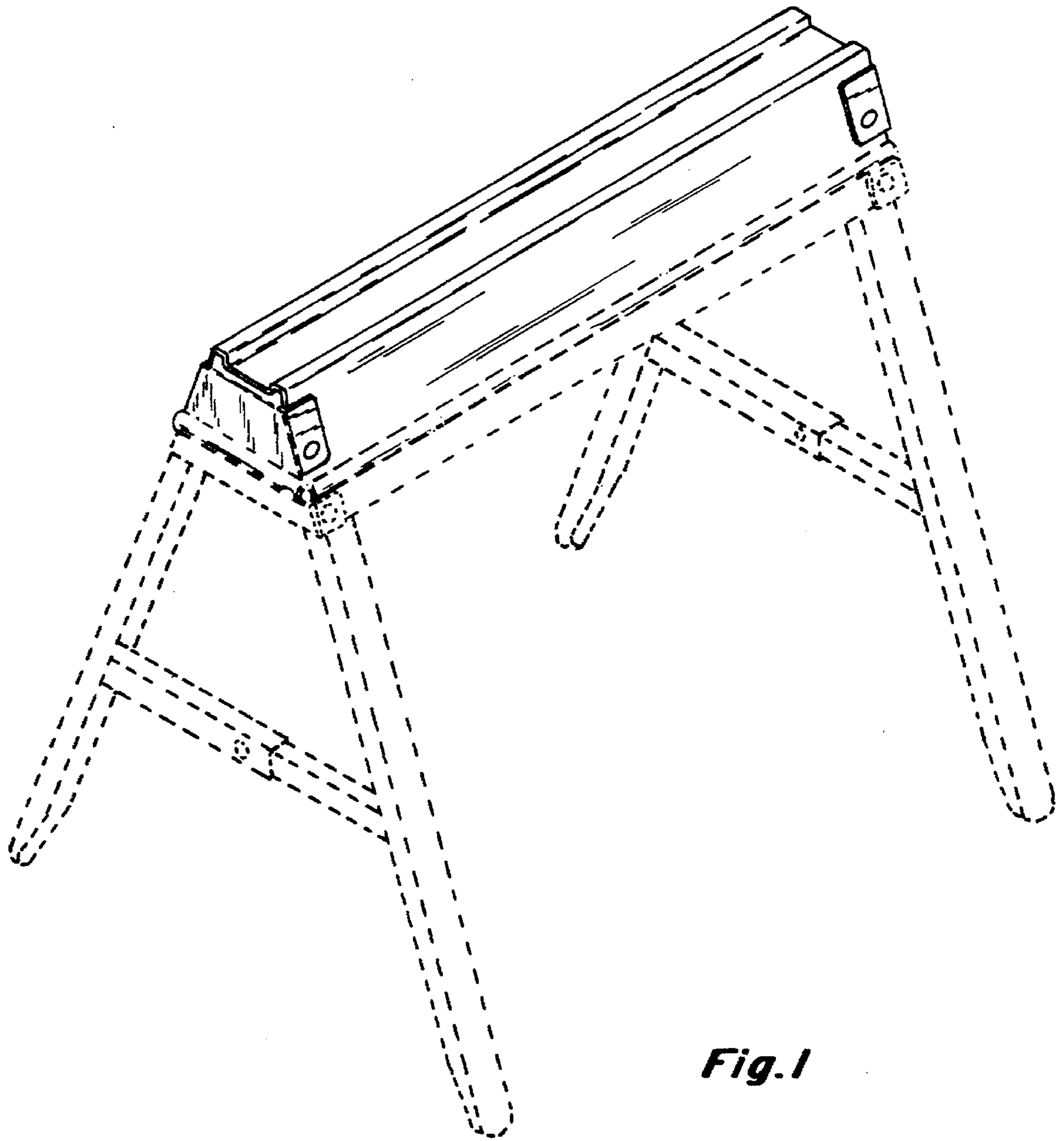
The ornamental design for a sawhorse, as shown and described.

**DESCRIPTION**

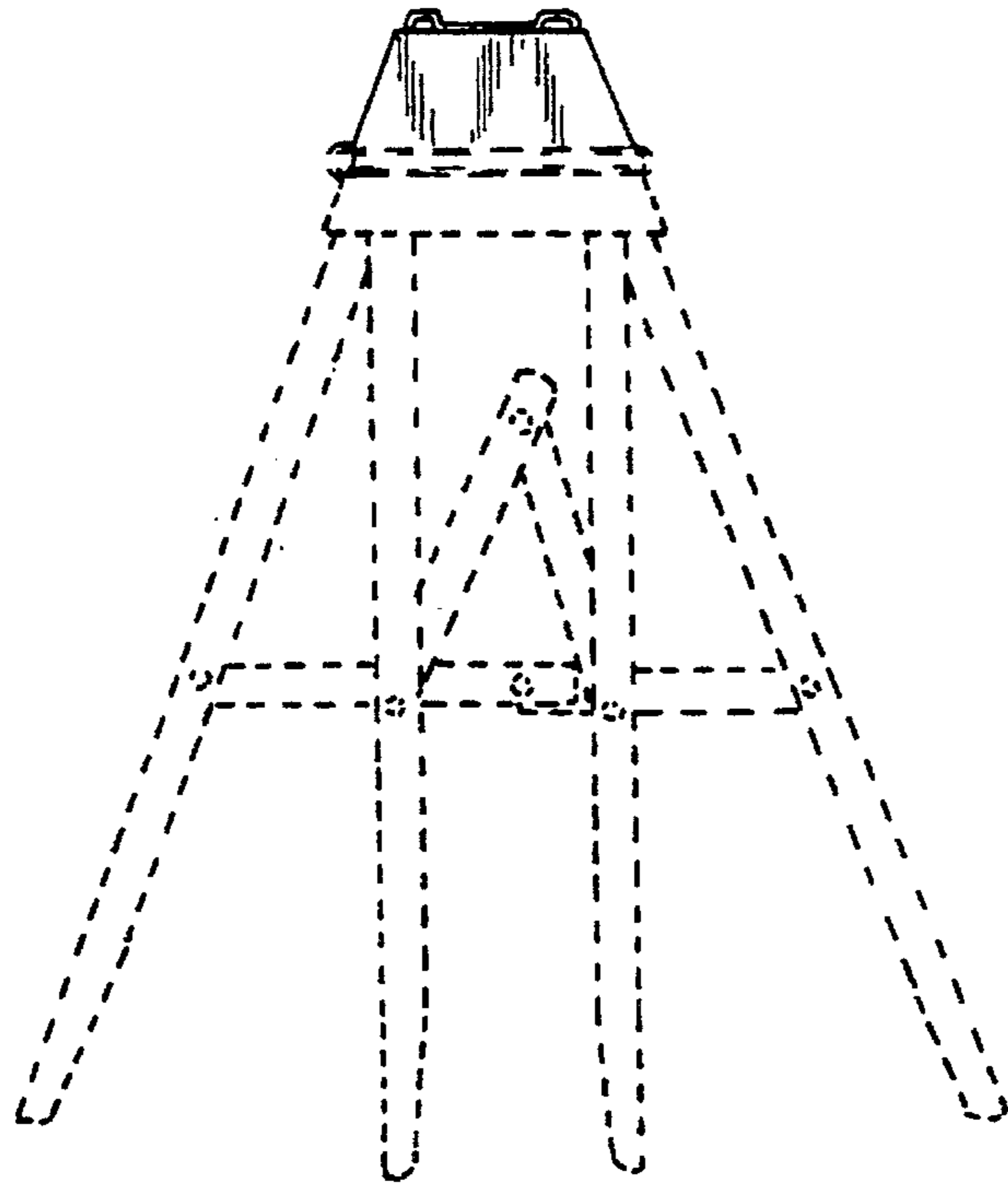
FIG. 1 is perspective view of the top portion of a sawhorse showing a new design;  
FIG. 2 is a rear elevation view of the same top portion of a sawhorse; and,  
FIG. 3 is an enlarged fragmentary perspective view thereof, the broken lines showing is for illustrative purposes only and forms no part of the claimed design.

**1 Claim, 2 Drawing Sheets**

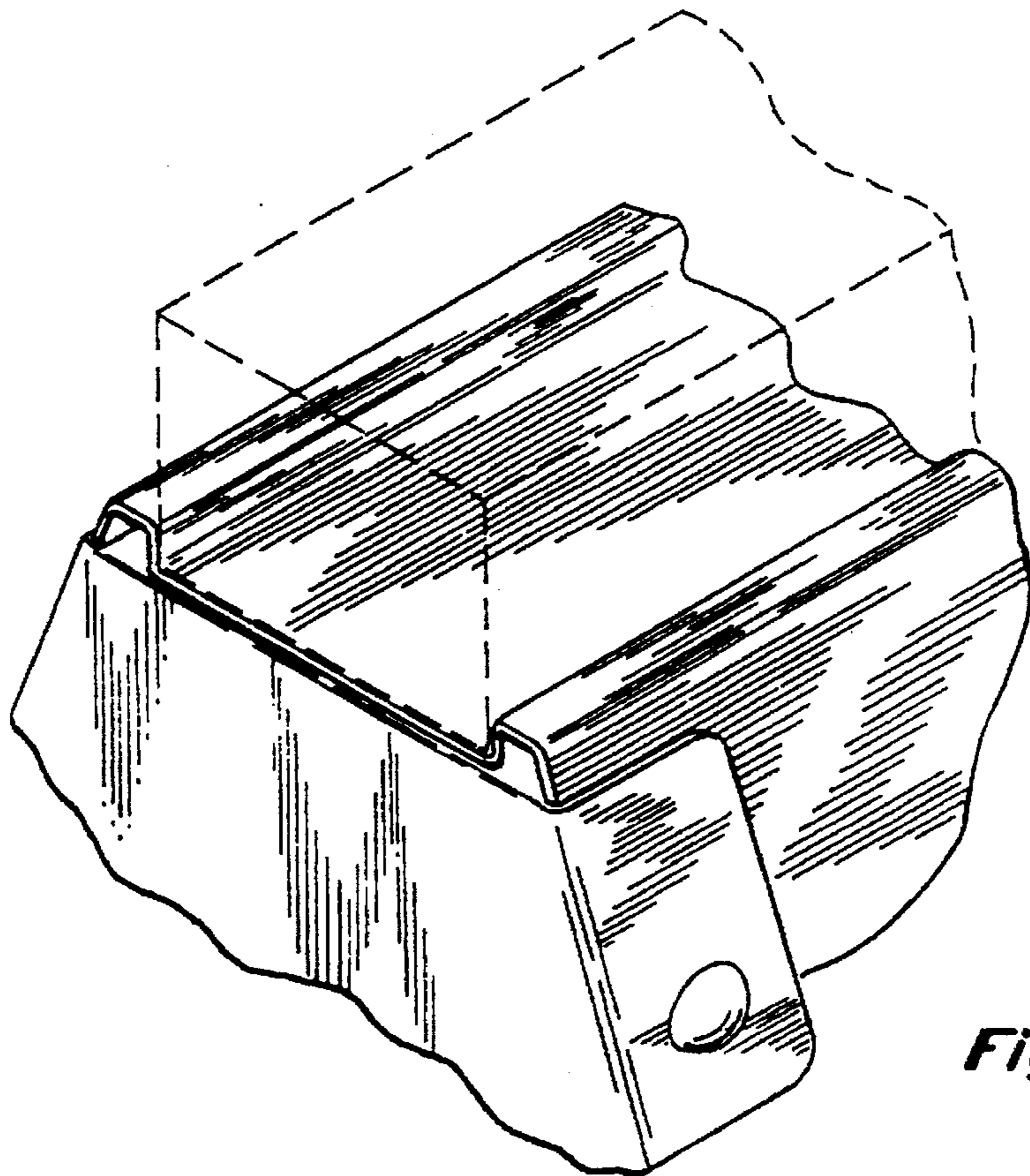




**Fig. 1**



**Fig. 2**



**Fig. 3**