

US00D380557S

United States Patent [19]
German

[11] **Patent Number:** **Des. 380,557**
[45] **Date of Patent:** ****Jul. 1, 1997**

[54] **FENCE PANEL**

[76] **Inventor:** **Rex L. German**, P.O. Box 45, Cozad,
Nebr. 69130

[**] **Term:** **14 Years**

[21] **Appl. No.:** **43,058**

[22] **Filed:** **Aug. 24, 1995**

[51] **LOC (6) Cl.** **25-02**

[52] **U.S. Cl.** **D25/42**

[58] **Field of Search** **D25/38-45; 256/19,**
256/21, 22, 24

[56] **References Cited**

U.S. PATENT DOCUMENTS

11,315	7/1854	Walker, Sr.	256/22
D. 248,874	8/1978	Prause	D25/42
682,259	9/1901	Lanz	256/21
1,160,728	11/1915	Liggett	256/24
1,656,024	1/1928	Stewart	256/22
3,892,387	7/1975	Mann	256/24

FOREIGN PATENT DOCUMENTS

128248 12/1984 European Pat. Off. 256/24

Primary Examiner—Terry A. Wallace

Assistant Examiner—Adir Aronovich

Attorney, Agent, or Firm—Zarley, McKee, Thomte Voorhees
& Sease; Mark D. Frederiksen

[57] **CLAIM**

The ornamental design for a fence panel, as shown and described.

DESCRIPTION

FIG. 1 is a perspective view of the fence panel showing my new design;

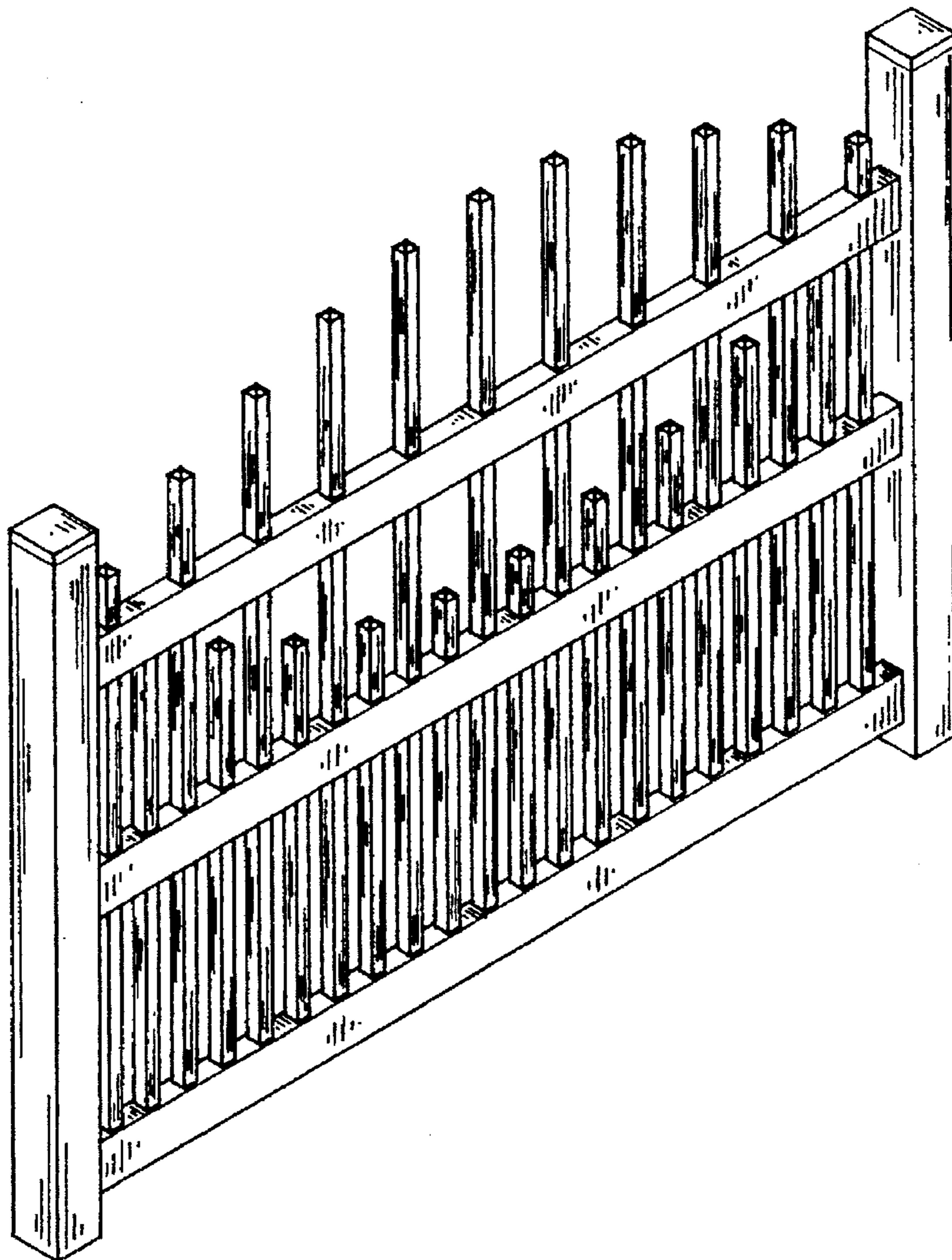
FIG. 2 is a top plan view thereof;

FIG. 3 is a front elevational view there, the rear elevational view being a mirror image thereof;

FIG. 4 is an elevational view taken from the right side of FIG. 3, the left elevational view being a mirror image thereof; and,

FIG. 5 is a bottom plan view thereof.

1 Claim, 1 Drawing Sheet



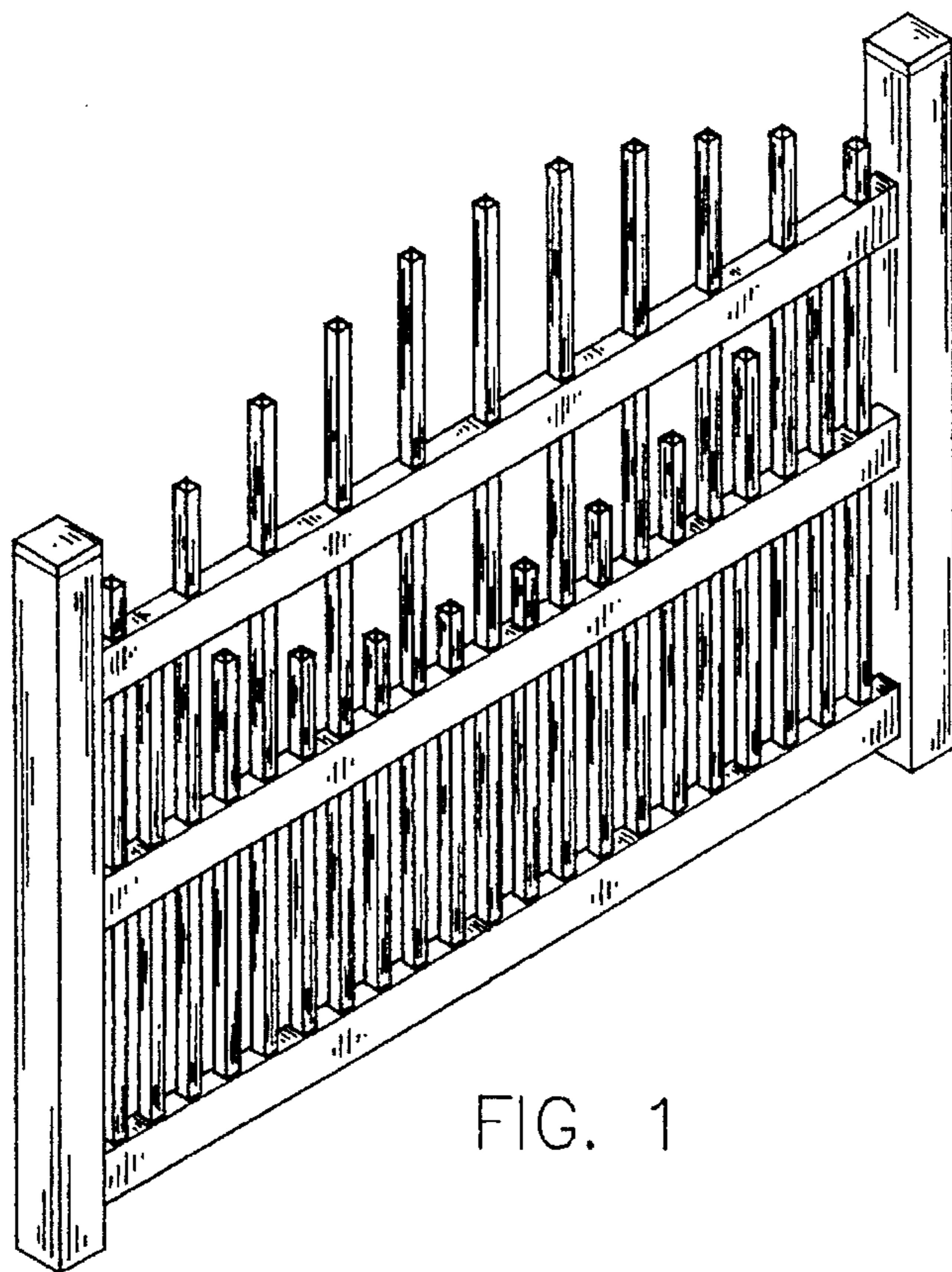


FIG. 1



FIG. 2

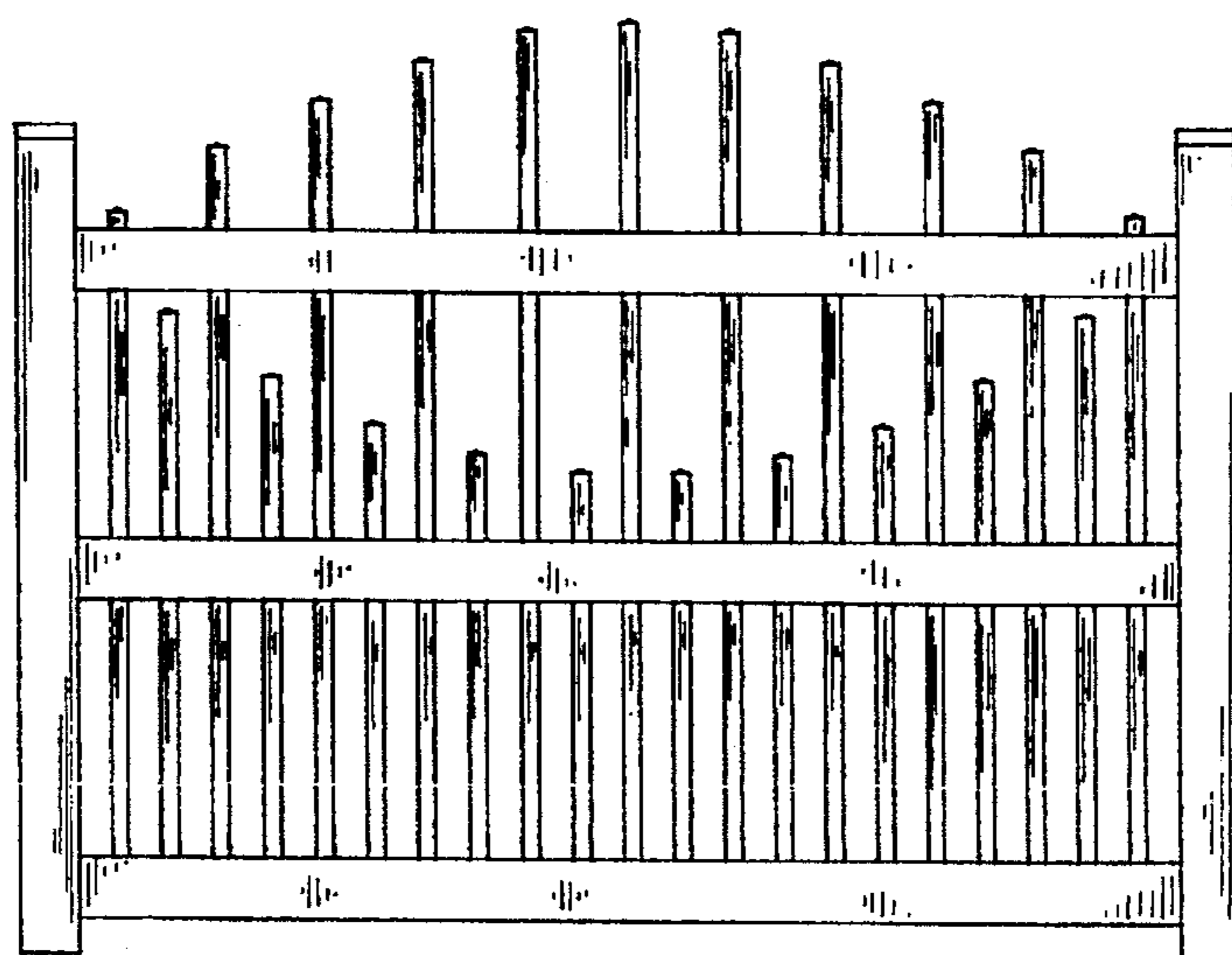


FIG. 3



FIG. 4

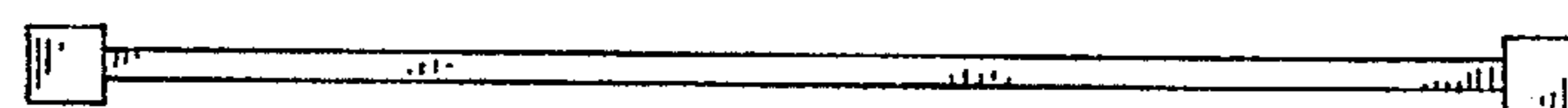


FIG. 5