



US00D380554S

United States Patent [19]

Leiva et al.

[11] Patent Number: **Des. 380,554**

[45] Date of Patent: *****Jul. 1, 1997**

[54] **TRANSPARENT ASSAY TESTER FOR BIOLOGICAL FLUIDS WITH A MAGNIFICATION LENS**

[75] Inventors: **William A. Leiva**, Half Moon Bay; **Ian D. Wells**, Escondido, both of Calif.

[73] Assignee: **Medix Biotech, Inc.**, San Carlos, Calif.

[*] Notice: The portion of the term of this patent subsequent to Nov. 19, 2010, has been disclaimed.

[**] Term: **14 Years**

[21] Appl. No.: **32,035**

[22] Filed: **Dec. 12, 1994**

Related U.S. Application Data

[63] Continuation-in-part of Ser. No. 15,399, Nov. 15, 1993, abandoned, which is a continuation of Ser. No. 918,340, Jul. 21, 1992, abandoned.

[51] **LOC (6) Cl.** **24-01**

[52] **U.S. Cl.** **D24/224; D24/225**

[58] **Field of Search** **D24/224, 225, D24/223; 422/58, 56, 68.1, 91, 61, 102, 104; 436/809, 808; 435/970, 906, 810, 814**

[56] References Cited

U.S. PATENT DOCUMENTS

D. 324,426 3/1992 Fan et al. D24/226

D. 328,136	7/1992	Hayakawa	D24/225
2,586,581	2/1952	Tschischek	D24/114 X
4,678,640	7/1987	Hamano et al.	422/56
5,006,464	4/1991	Chu et al.	435/7.1
5,008,077	4/1991	Kheiri	422/56
5,049,487	9/1991	Phillips et al.	435/4
5,087,556	2/1992	Ertinghausen	422/58 X
5,137,808	8/1992	Ullman et al.	435/7.9
5,187,100	2/1993	Matzinger et al.	436/16
5,192,503	3/1993	McGrath et al.	422/58 X
5,238,652	8/1993	Sun et al.	422/61

Primary Examiner—Louis S. Zarfaz
Assistant Examiner—I. Simmons
Attorney, Agent, or Firm—William G. Gosz, Esq.

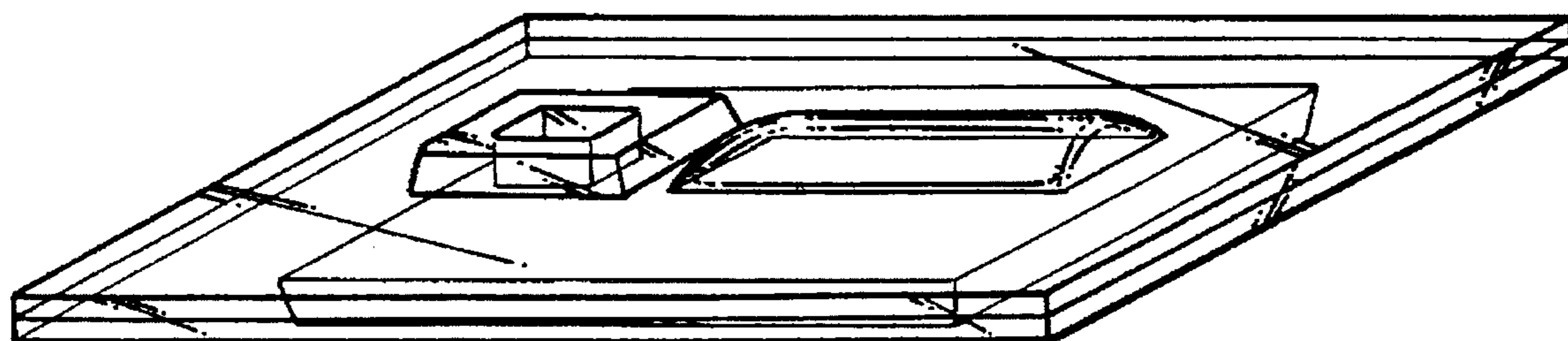
[57] CLAIM

The ornamental design for a transparent assay tester for biological fluids with a magnification lens, as shown and described.

DESCRIPTION

FIG. 1 is a perspective view showing my new design;
FIG. 2 is a top plan view thereof;
FIG. 3 is a rear elevational view thereof;
FIG. 4 is a left side elevational view thereof;
FIG. 5 is a right side elevational view thereof;
FIG. 6 is a front side elevational view thereof; and,
FIG. 7 is a bottom plan view thereof.

1 Claim, 1 Drawing Sheet



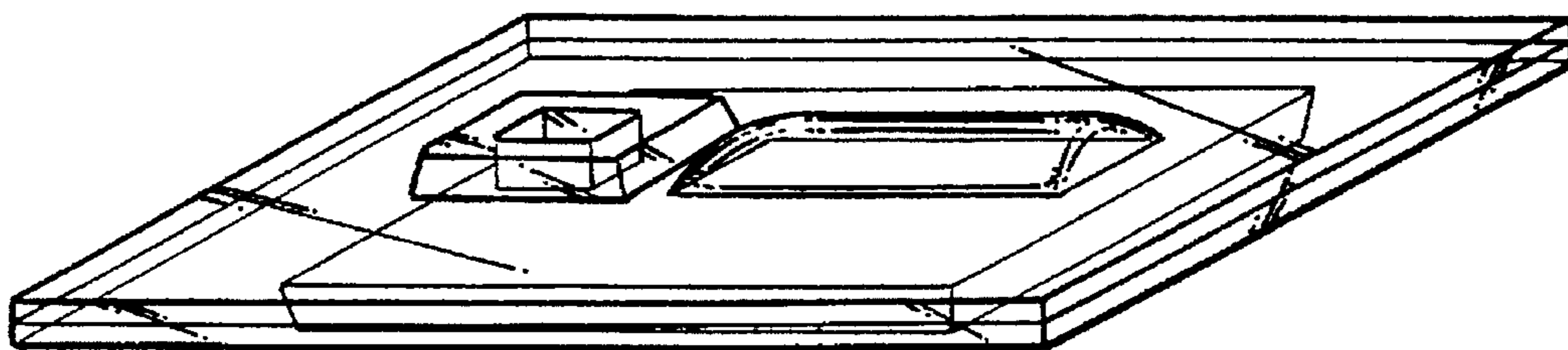


FIG. 1.

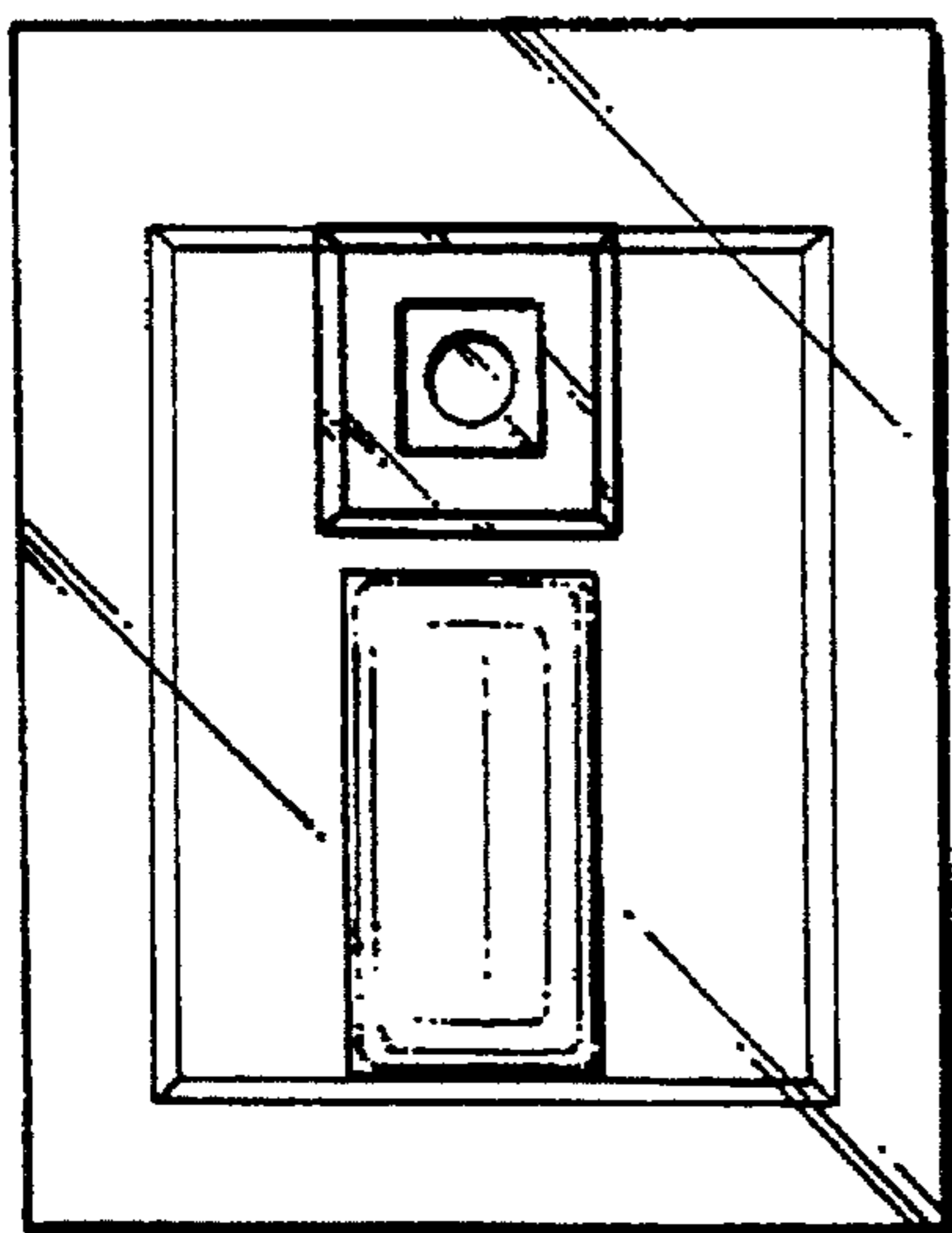


FIG. 2.



FIG. 3.



FIG. 4.



FIG. 6.



FIG. 5.

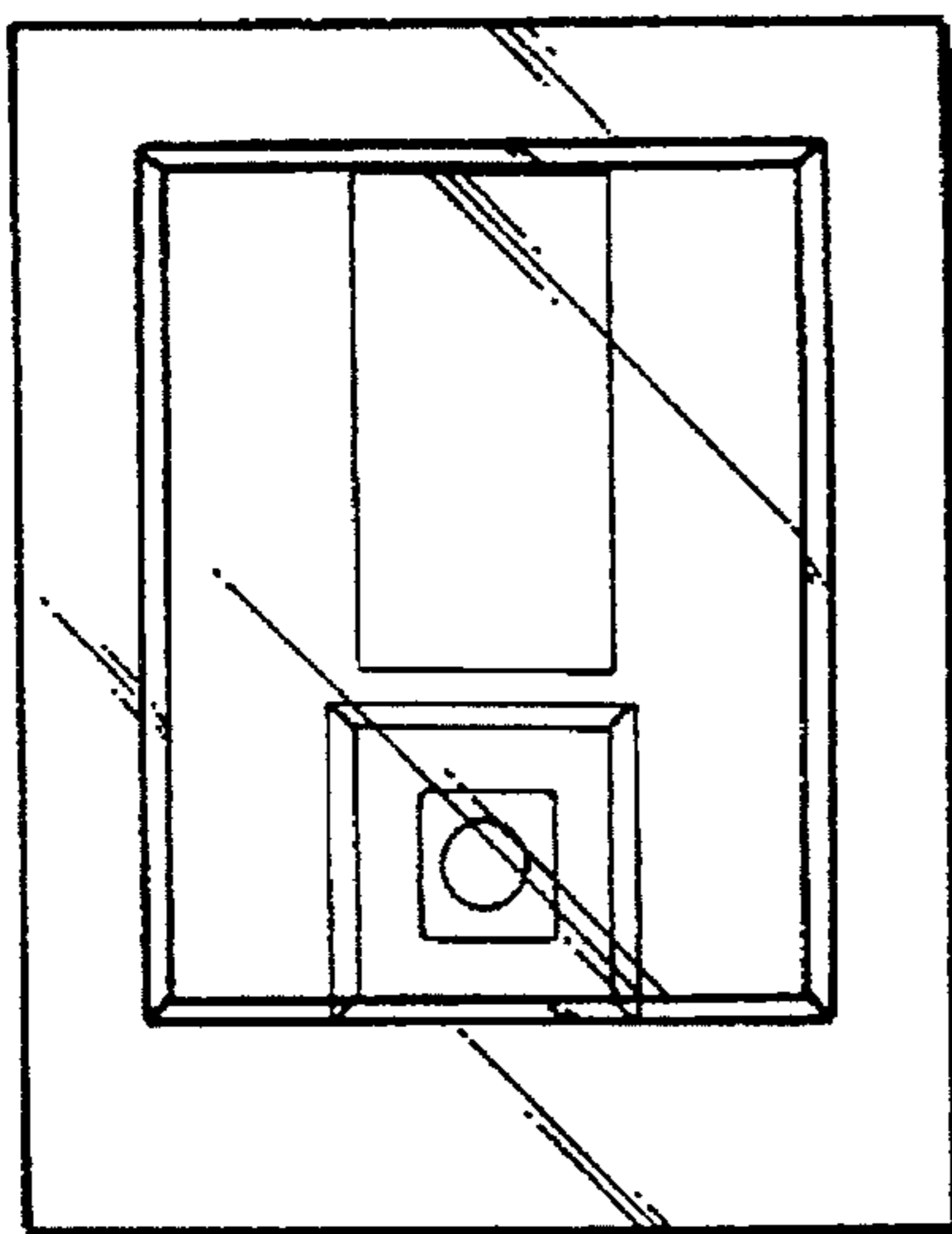


FIG. 7.