



US00D380553S

United States Patent [19]
Riekkinen

[11] **Patent Number: Des. 380,553**

[45] **Date of Patent: **Jul. 1, 1997**

[54] **REAGENT CONTAINER**

[75] **Inventor: Jari-Pekka Riekkinen, Espoo, Finland**

[73] **Assignee: Kone Instruments Oy, Espoo, Finland**

[**] **Term: 14 Years**

[21] **Appl. No.: 30,165**

[22] **Filed: Oct. 21, 1994**

[30] **Foreign Application Priority Data**

Apr. 21, 1994 [FI] Finland FI319/94

[51] **LOC (6) Cl. 24-02**

[52] **U.S. Cl. D24/224**

[58] **Field of Search D24/224, 121;
D9/523, 520; 422/102, 104, 103, 72**

[56] **References Cited**

U.S. PATENT DOCUMENTS

D. 287,638 1/1987 Moore et al. D24/224
D. 290,400 6/1987 Tong D24/224

D. 291,730 9/1987 Kellin et al. D24/224
D. 342,140 12/1993 Sakagami et al. D24/224
D. 358,219 5/1995 Ushikubo D24/224
5,152,965 10/1992 Fisk et al. 422/102

Primary Examiner—Louis S. Zarfes
Assistant Examiner—I. Simmons
Attorney, Agent, or Firm—Birch, Stewart, Kolasch & Birch, LLP

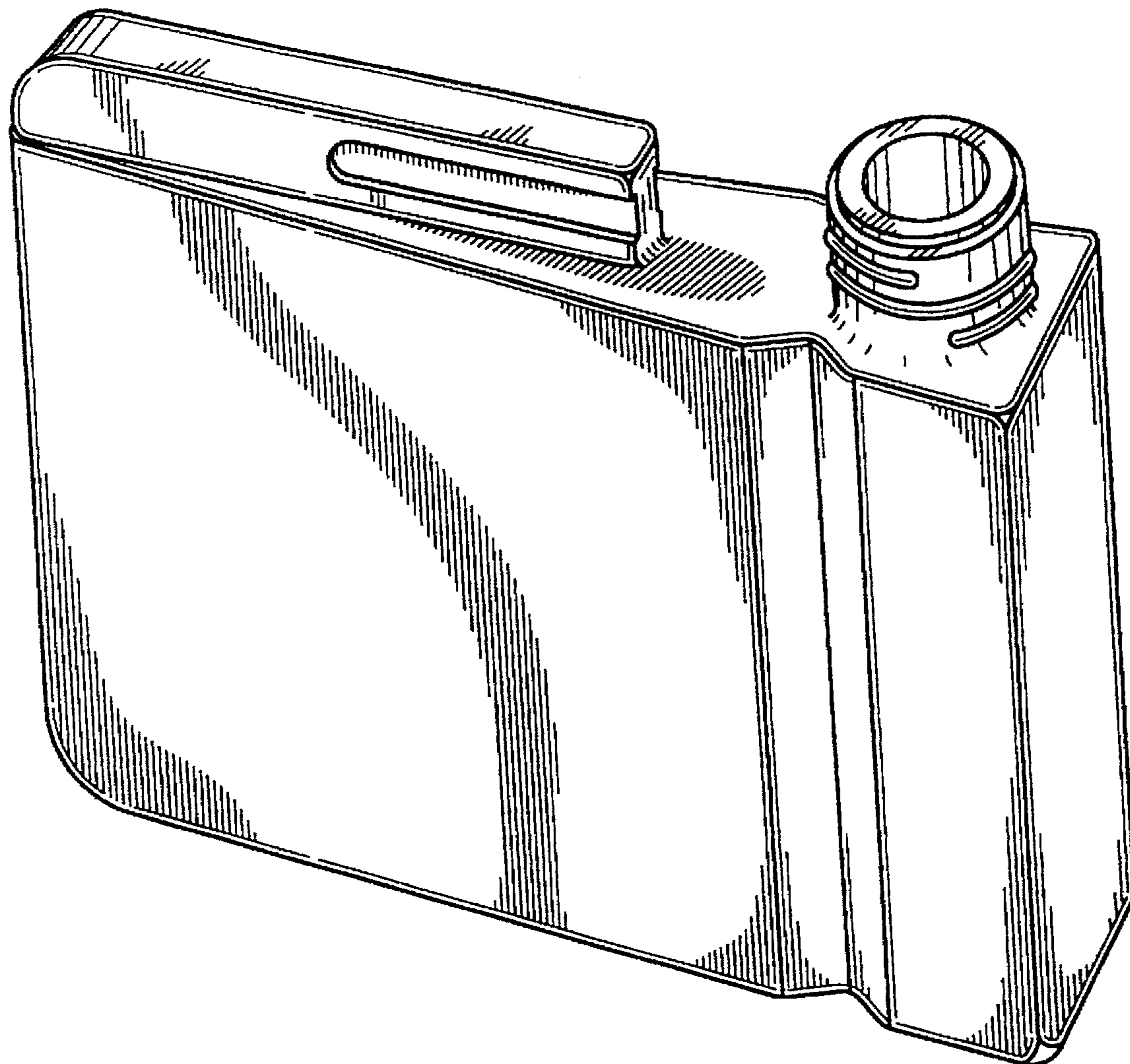
[57] **CLAIM**

The ornamental design for a reagent container, as shown and described.

DESCRIPTION

FIG. 1 is a left side elevational view of a reagent container showing my new design, the right side elevational view being a mirror image thereof;
FIG. 2 is a top plan view thereof;
FIG. 3 is a bottom plan view thereof;
FIG. 4 is a rear elevational view thereof;
FIG. 5 is a front elevational view thereof; and,
FIG. 6 is a top perspective view thereof.

1 Claim, 2 Drawing Sheets



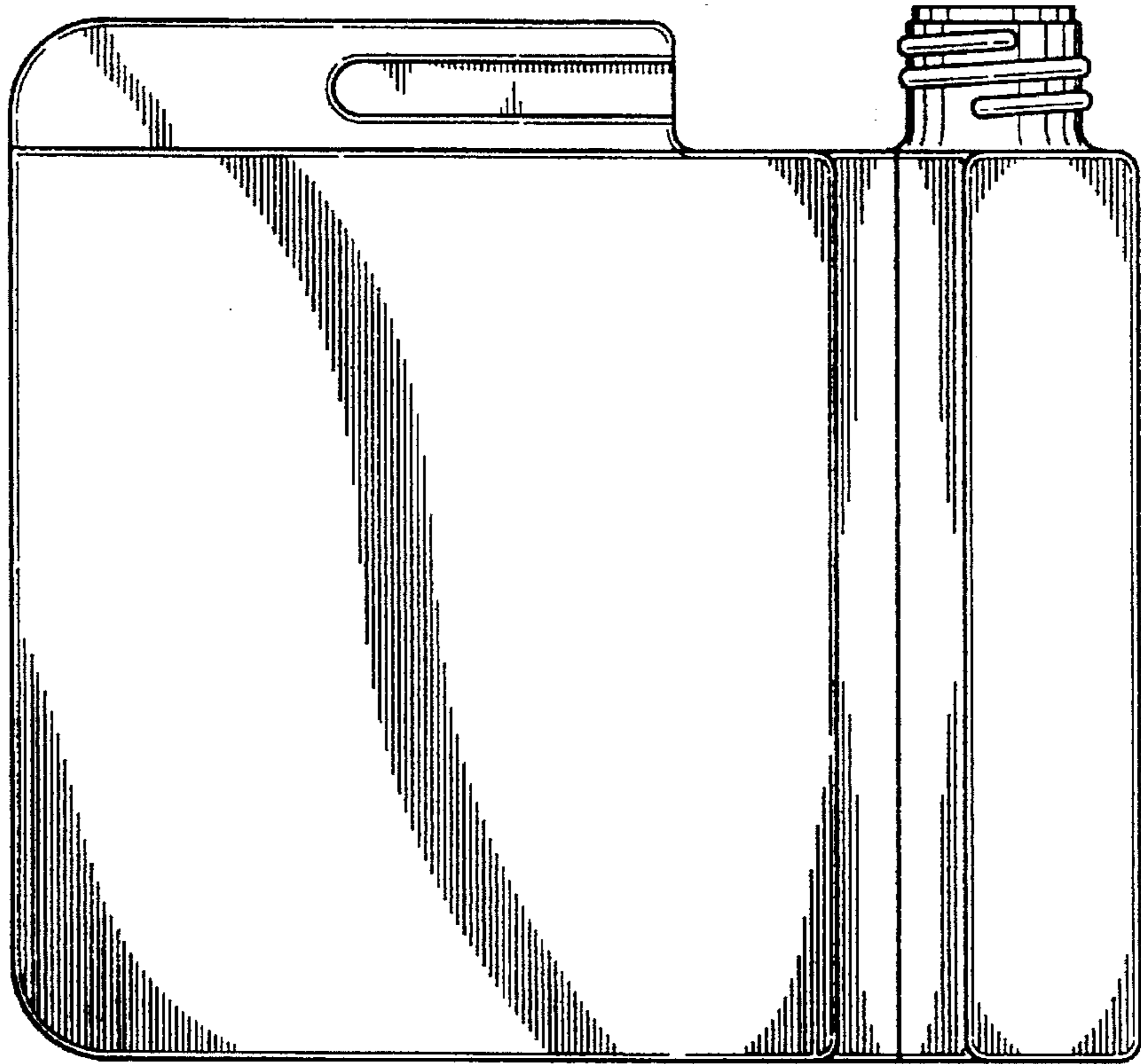


FIG. 1

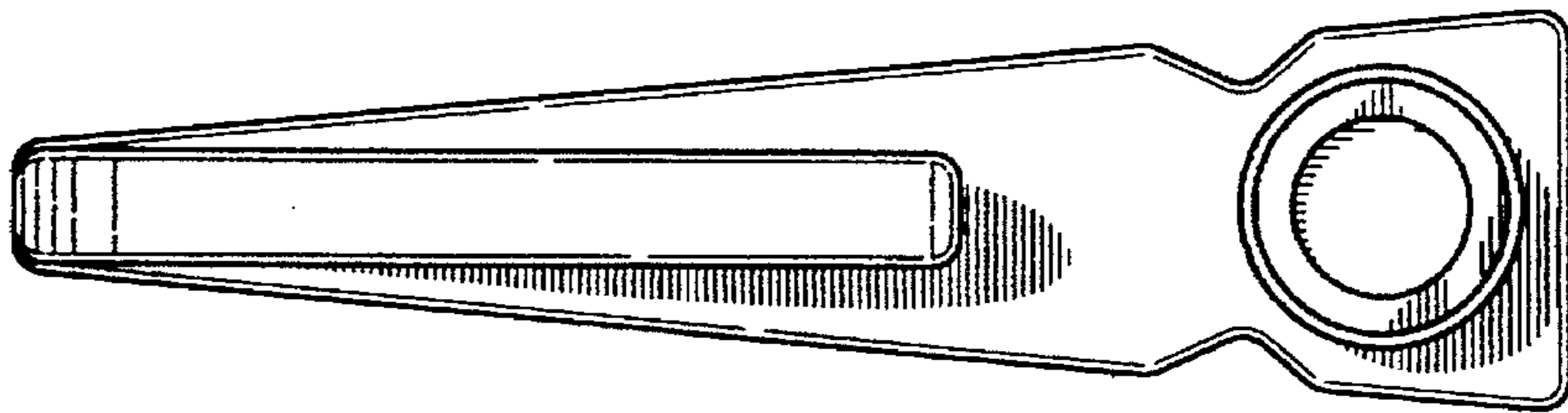


FIG. 2

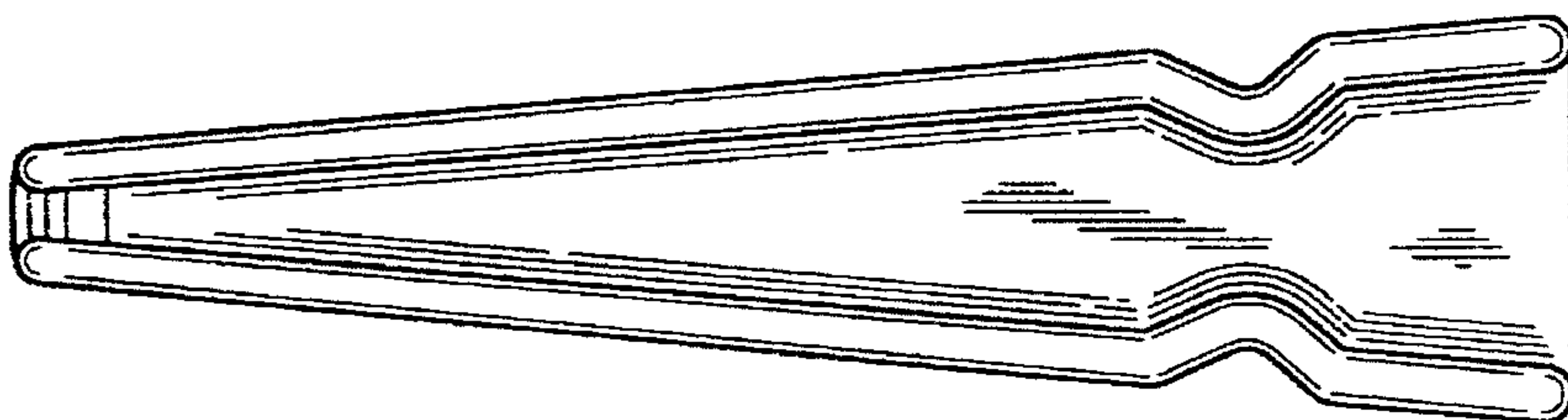


FIG. 3

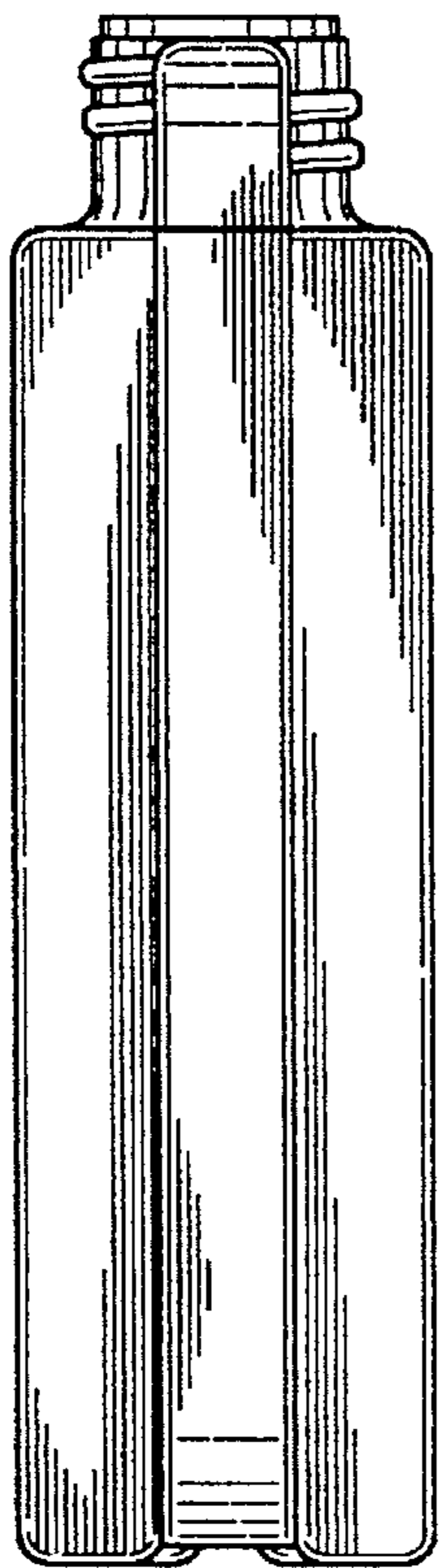


FIG. 4

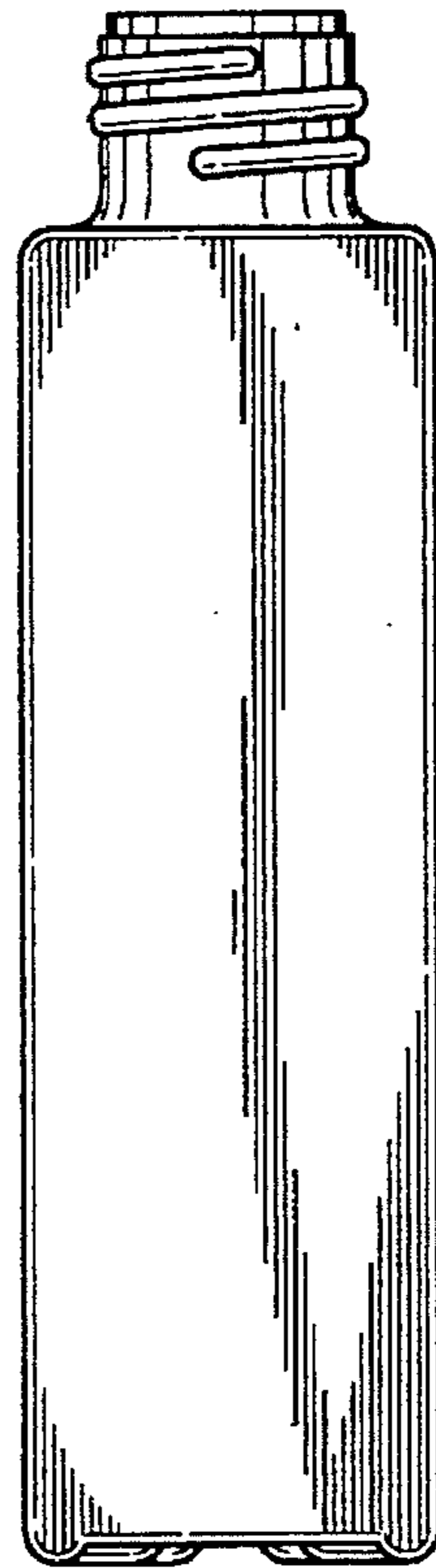


FIG. 5

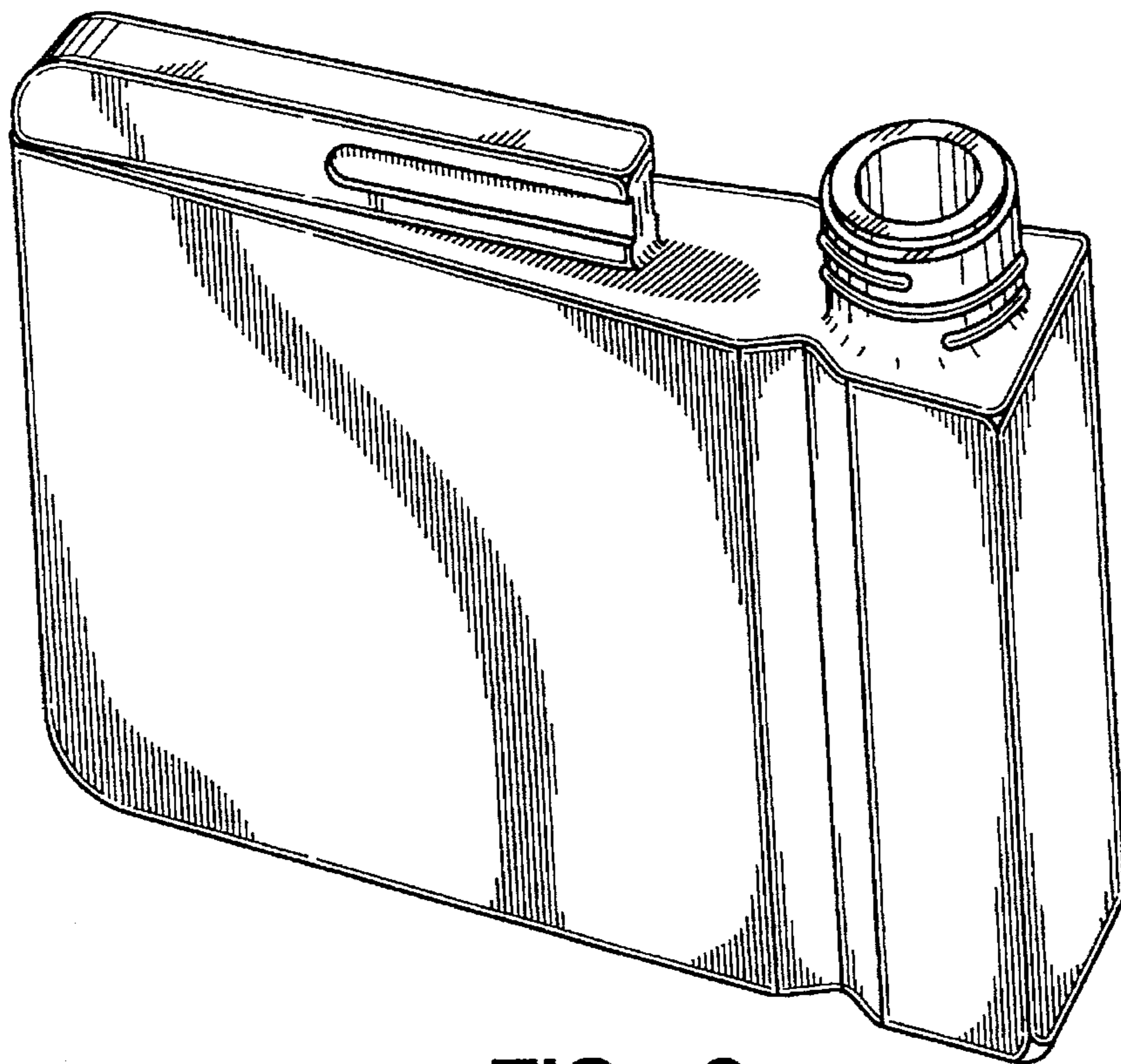


FIG. 6