



US00D380549S

# United States Patent [19] Pate

[11] Patent Number: **Des. 380,549**

[45] Date of Patent: **\*\*Jul. 1, 1997**

[54] **CONTROL HEAD**

[76] Inventor: **Edwin Leonard Pate**, c/o Marus  
Dental 20554 Builders St., Bend, Oreg.  
97701

[\*\*] Term: **14 Years**

[21] Appl. No.: **51,728**

[22] Filed: **Mar. 15, 1996**

[51] LOC (6) Cl. .... **24-99**

[52] U.S. Cl. .... **D24/177; D24/152**

[58] Field of Search ..... **D24/152, 177;**  
**433/28, 27, 79**

[56] **References Cited**

**U.S. PATENT DOCUMENTS**

D. 288,122 2/1987 McGraha et al. .... **D24/177**

D. 293,371 12/1987 Nordstrom et al. .... **D24/152**  
D. 351,231 10/1994 Austin, Jr. et al. .... **D24/177**

*Primary Examiner*—**Kay H. Chin**  
*Attorney, Agent, or Firm*—**Zachary T. Wobensmith, III**

[57] **CLAIM**

The ornamental design for a control head, as shown and described.

**DESCRIPTION**

FIG. 1 is a perspective view of a control head, showing my design;  
FIG. 2 is a top plan view thereof;  
FIG. 3 is a bottom plan view thereof;  
FIG. 4 is a right side elevational view thereof;  
FIG. 5 is a left side elevational view thereof; and,  
FIG. 6 is a front elevational view thereof.

**1 Claim, 4 Drawing Sheets**

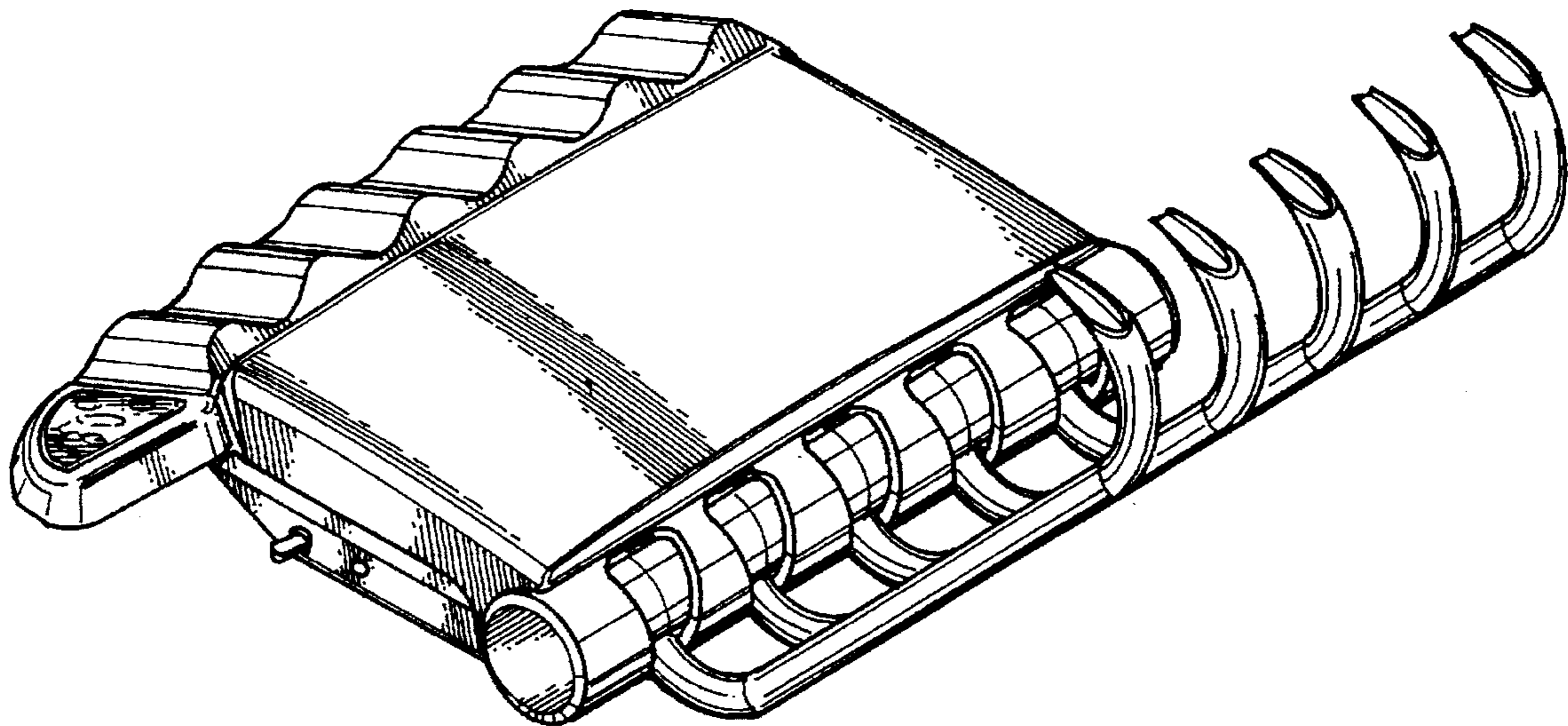


FIG. 1

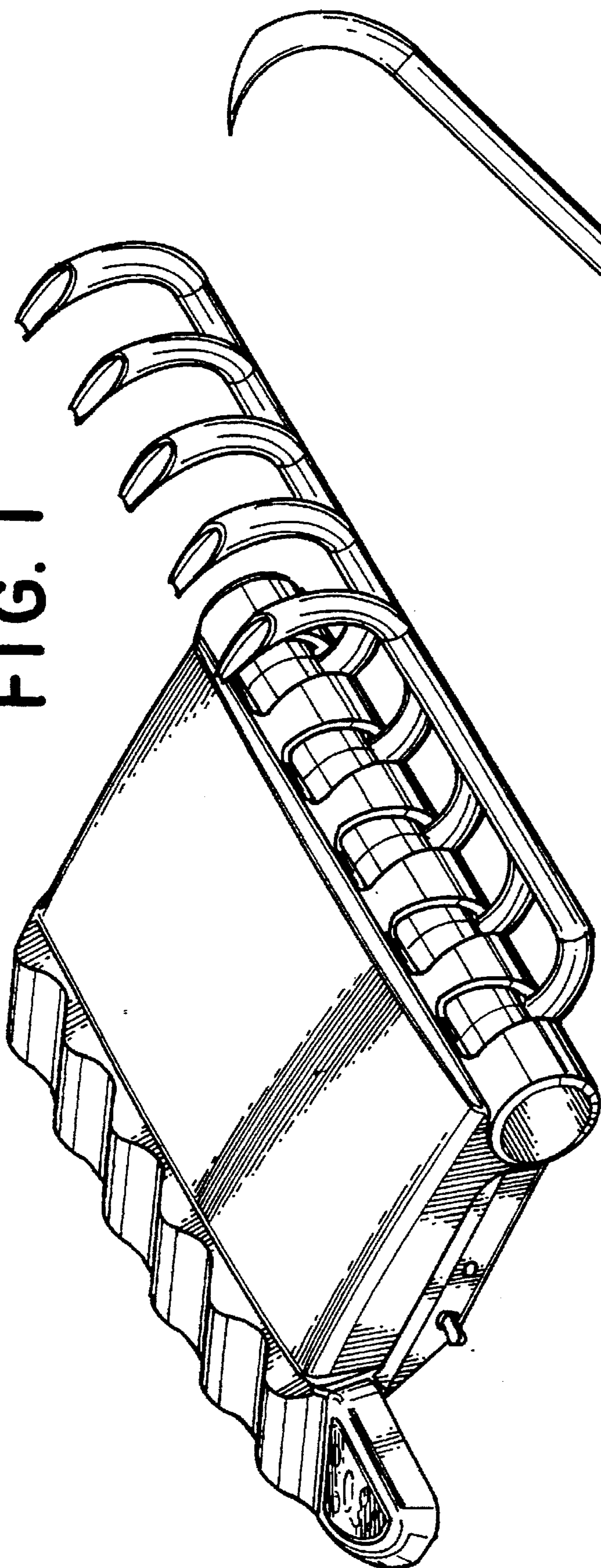


FIG. 4

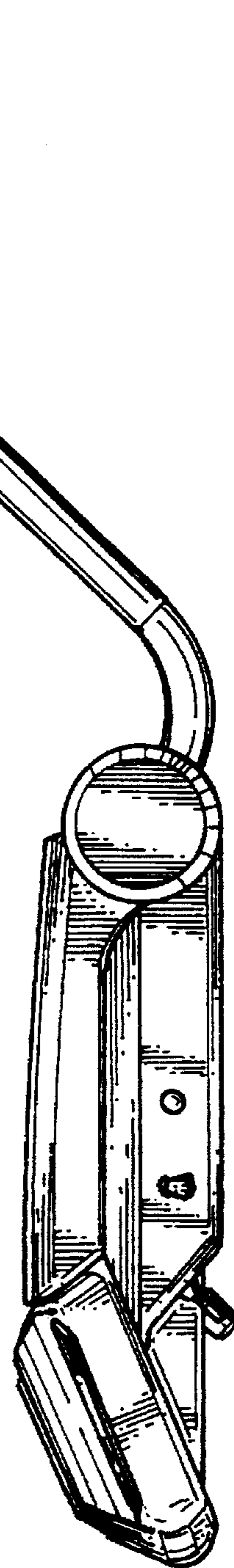


FIG. 2

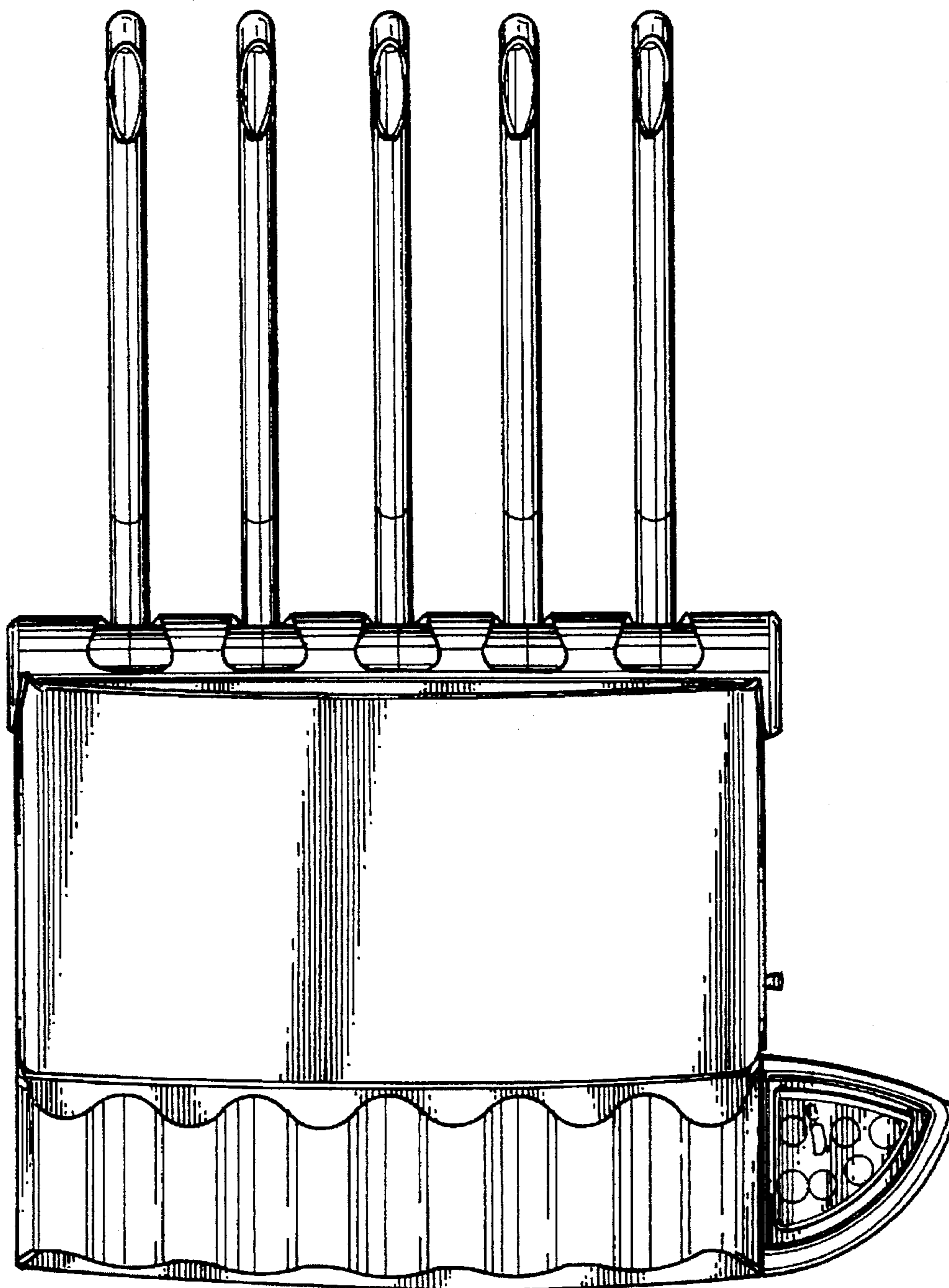
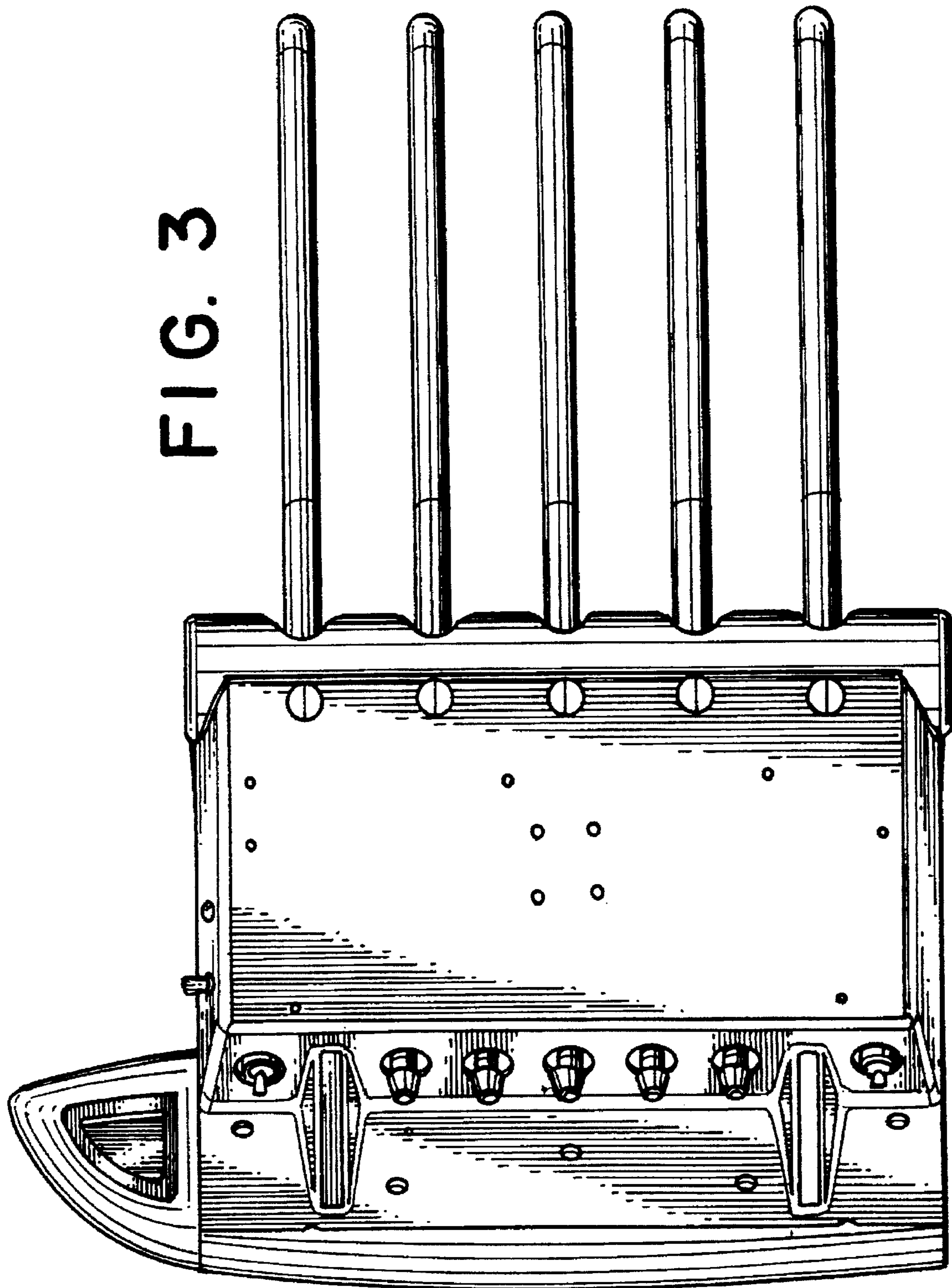


FIG. 3



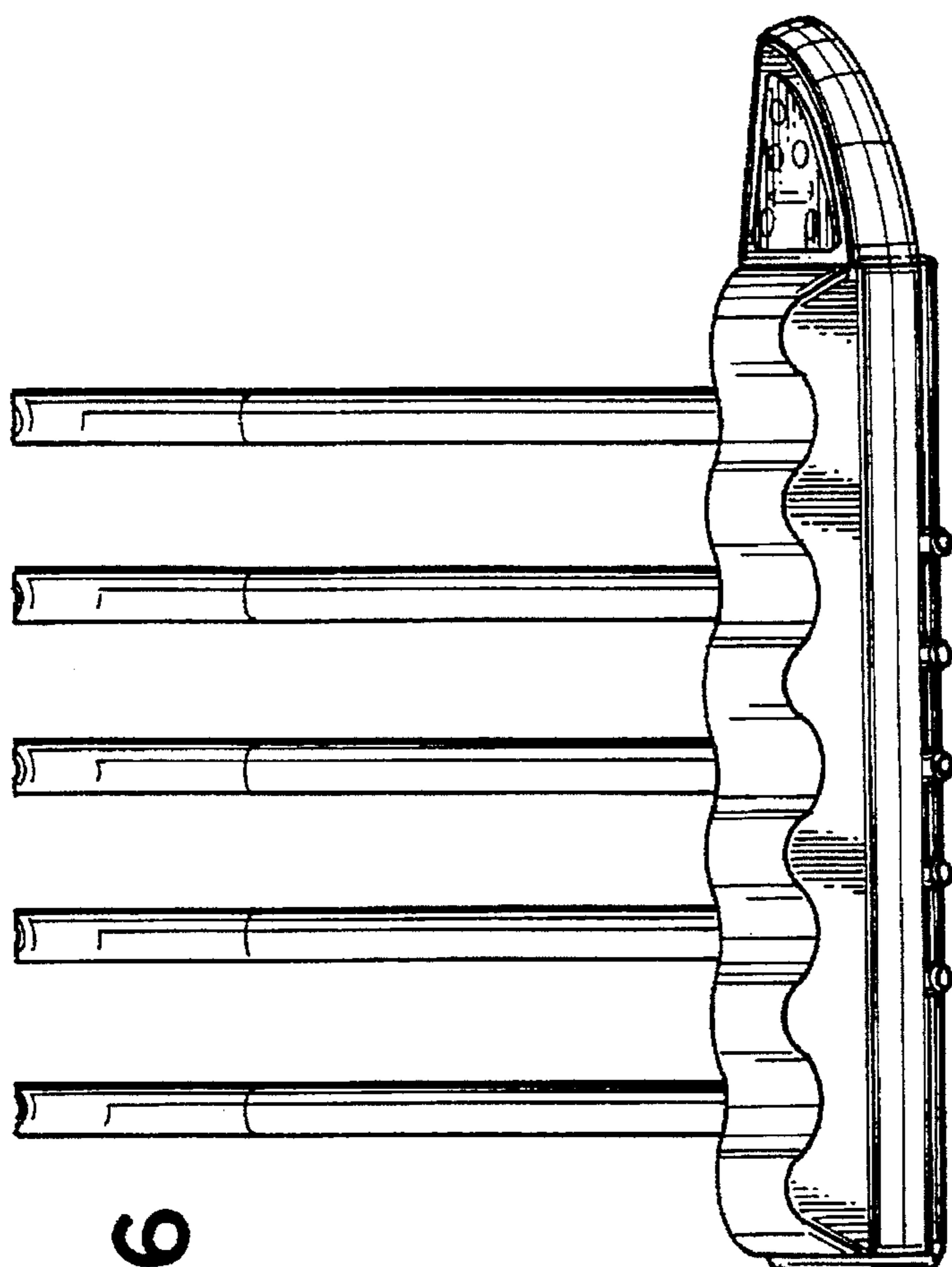


FIG. 6

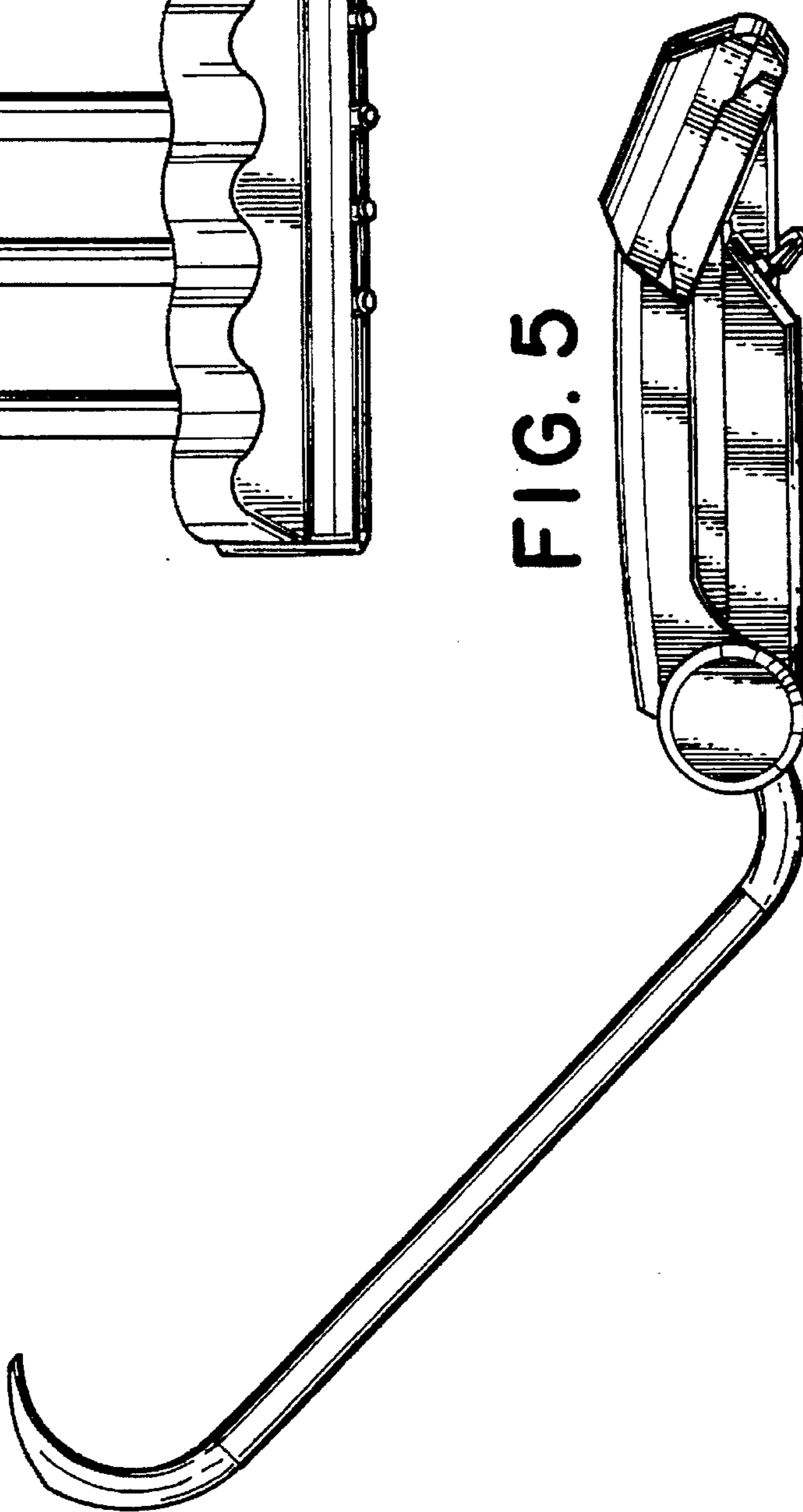


FIG. 5