



US00D380548S

United States Patent [19]

Koros et al.

[11] Patent Number: **Des. 380,548**

[45] Date of Patent: ****Jul. 1, 1997**

[54] MICRODISCECTOMY RETRACTOR

[76] Inventors: **Tibor Koros; Gabriel Koros**, both of 610 Flinn Ave., Moorpark, Calif. 93021

[**] Term: **14 Years**

[21] Appl. No.: **38,493**

[22] Filed: **May 4, 1995**

[51] LOC (6) Cl. **24-02**

[52] U.S. Cl. **D24/135**

[58] Field of Search D24/135; 600/201, 600/210, 211, 214, 215, 216, 217, 231, 234

[56] References Cited

U.S. PATENT DOCUMENTS

D. 319,502	8/1991	Michelson	D24/135
D. 361,381	8/1995	Koros et al.	D24/135
5,052,373	10/1991	Michelson	600/217
5,167,223	12/1992	Koros et al.	600/234 X
5,363,841	11/1994	Coker	D24/135 X

Primary Examiner—Louis S. Zarfes

Assistant Examiner—I. Simmons
Attorney, Agent, or Firm—Richard Slehofer

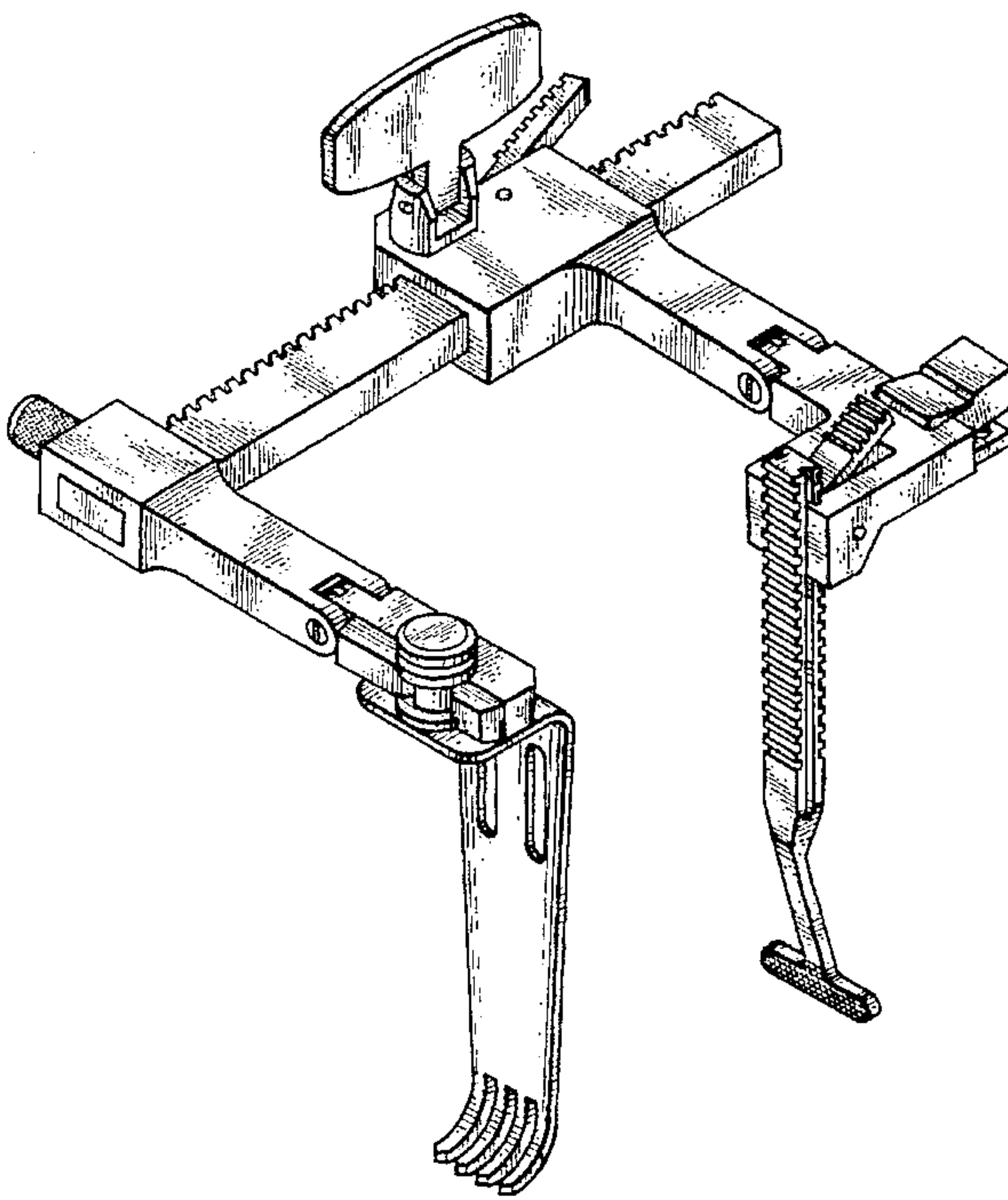
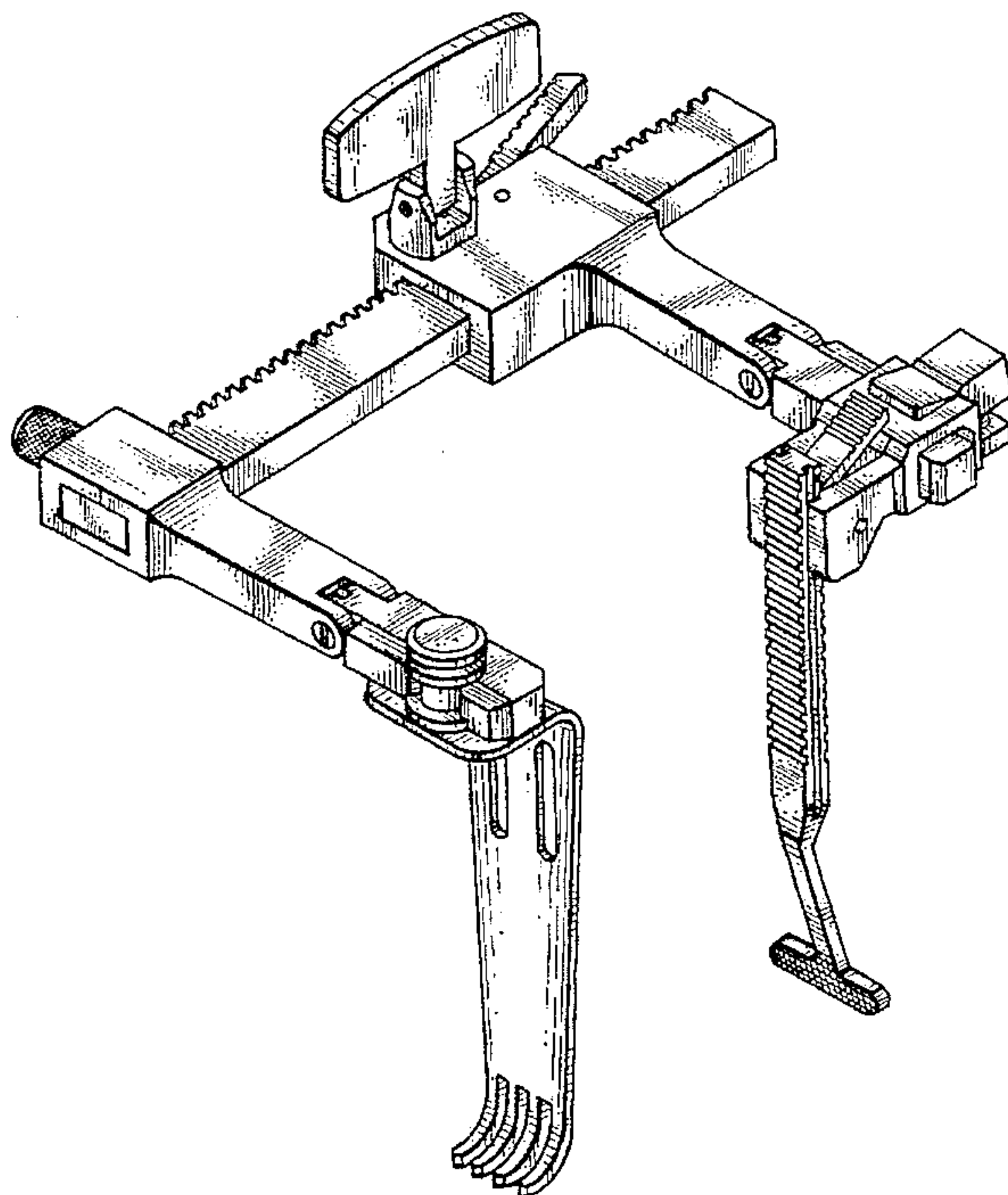
[57] CLAIM

The ornamental design for a microdiscectomy retractor, as shown and described.

DESCRIPTION

FIG. 1 is a front perspective view of a microdiscectomy retractor showing our new design; FIG. 2 is a front view thereof; FIG. 3 is a right side view thereof; FIG. 4 is a rear view thereof; FIG. 5 is a left side view thereof; FIG. 6 is a top view thereof; FIG. 7 is a bottom view thereof; and, FIG. 8 is a front perspective view of a second embodiment of a microdiscectomy retractor showing our new design; FIG. 9 is a front view thereof; FIG. 10 is a right side view thereof; FIG. 11 is a rear view thereof; FIG. 12 is a left side view thereof; FIG. 13 is a top view thereof; and, FIG. 14 is a bottom view thereof.

1 Claim, 6 Drawing Sheets



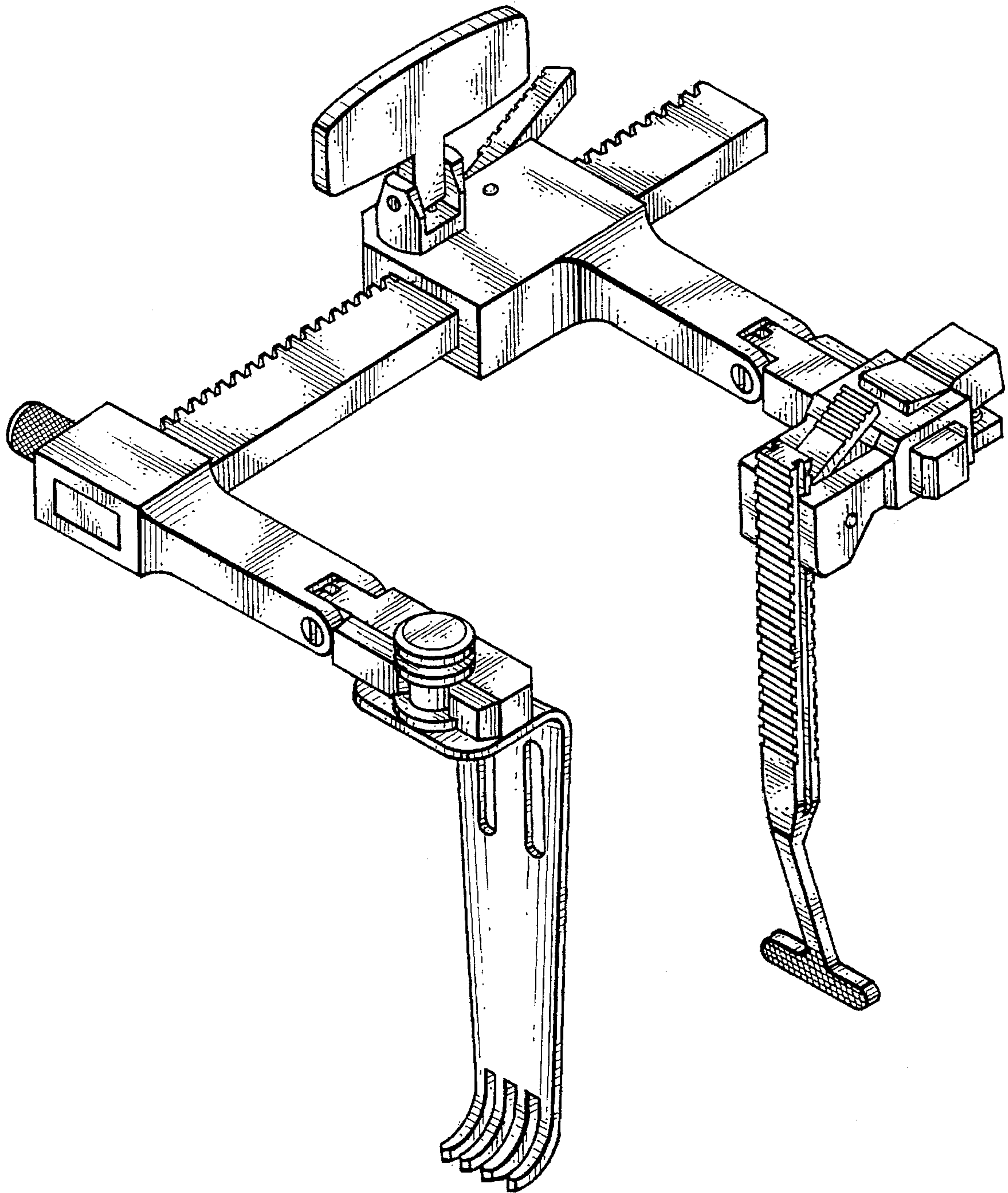


Fig. 1.

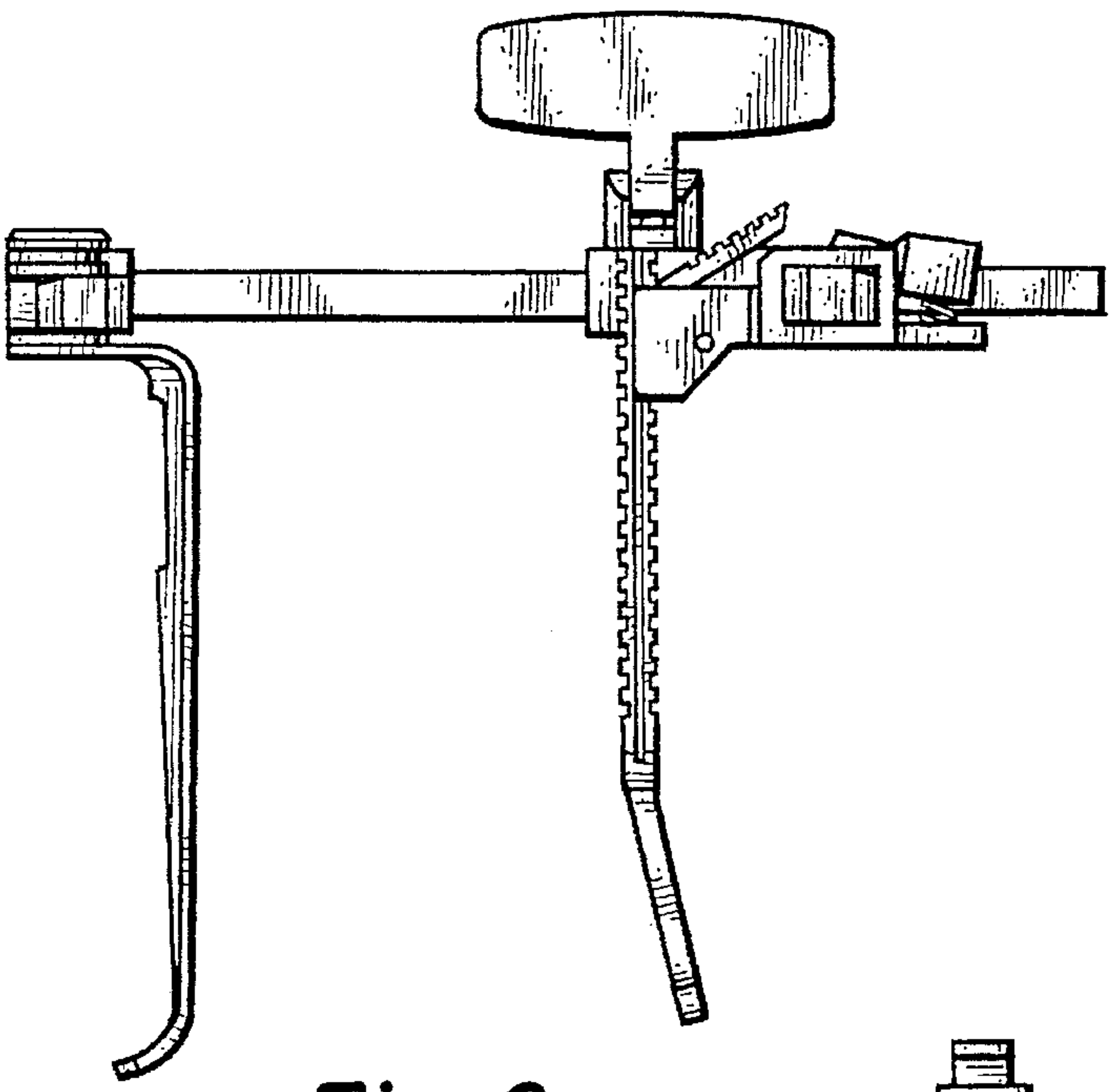


Fig. 2.

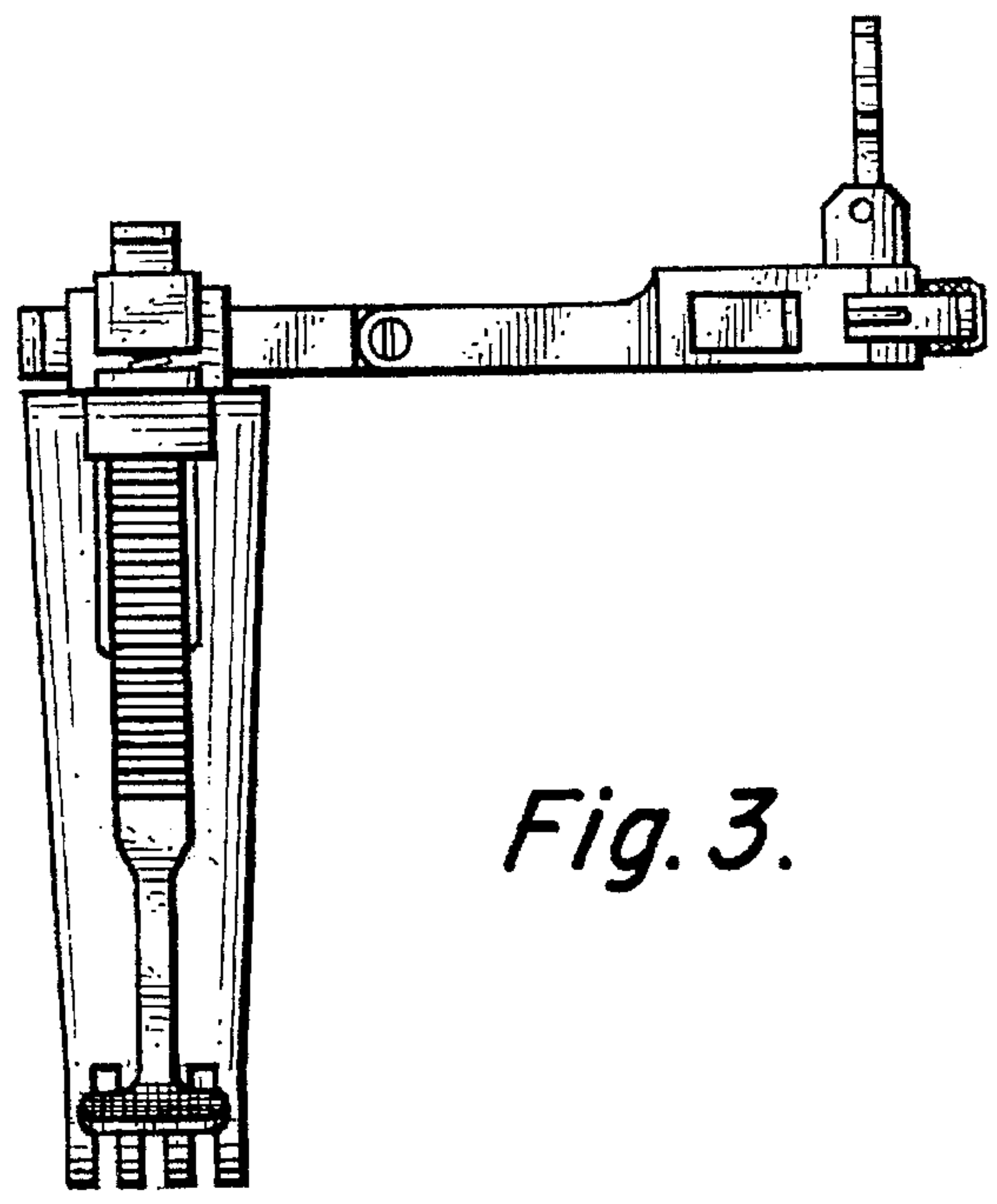


Fig. 3.

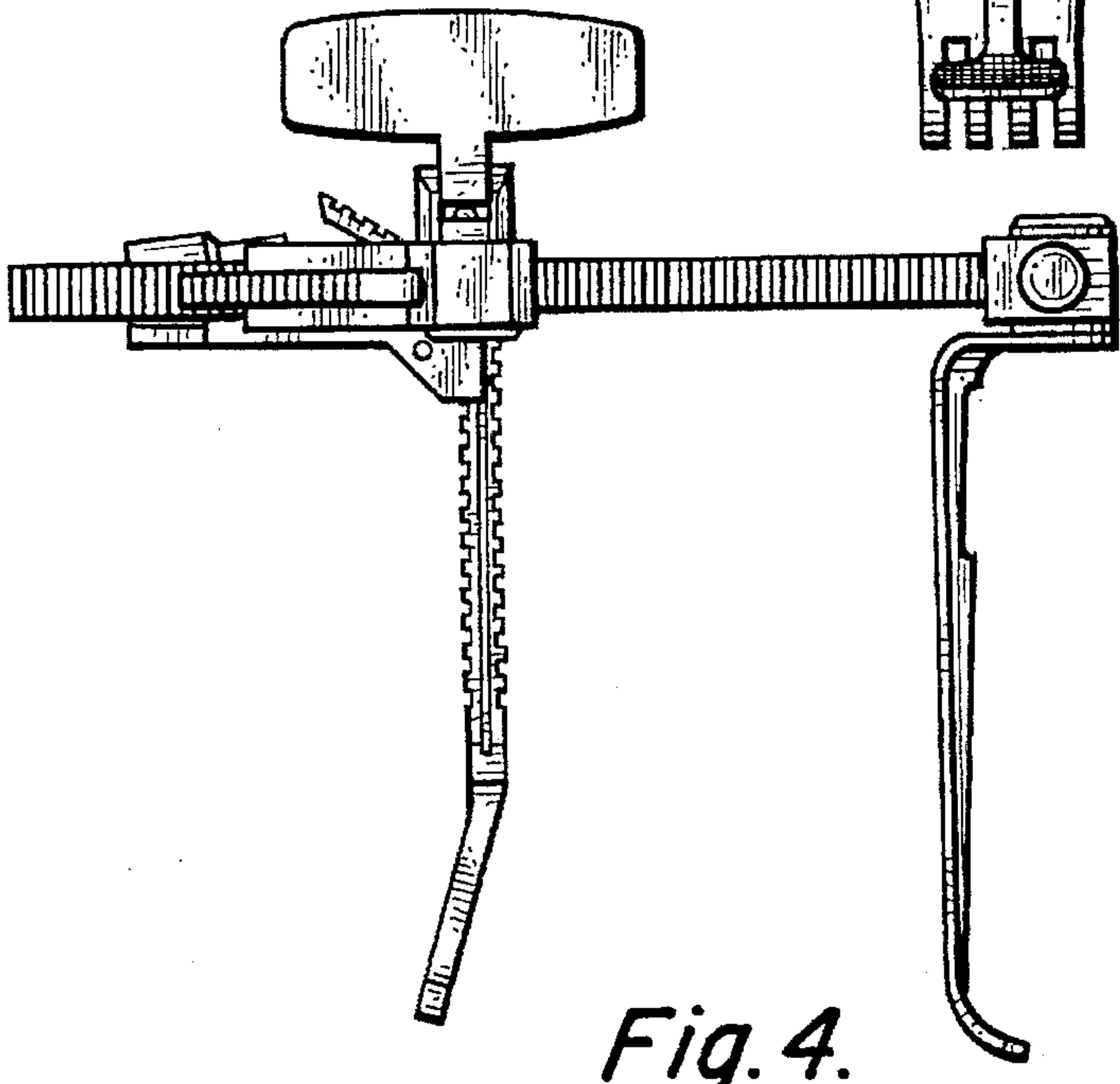


Fig. 4.

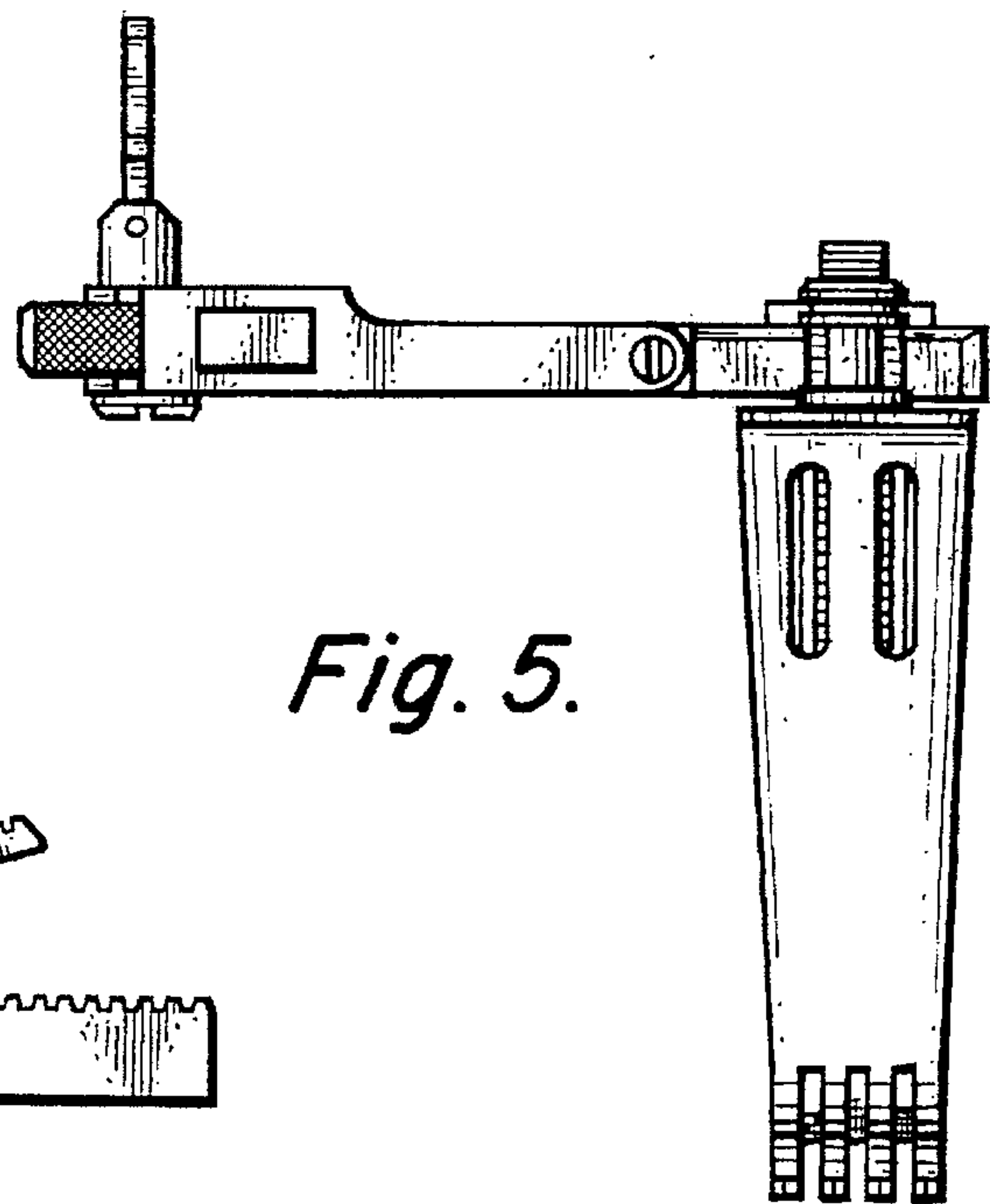


Fig. 5.

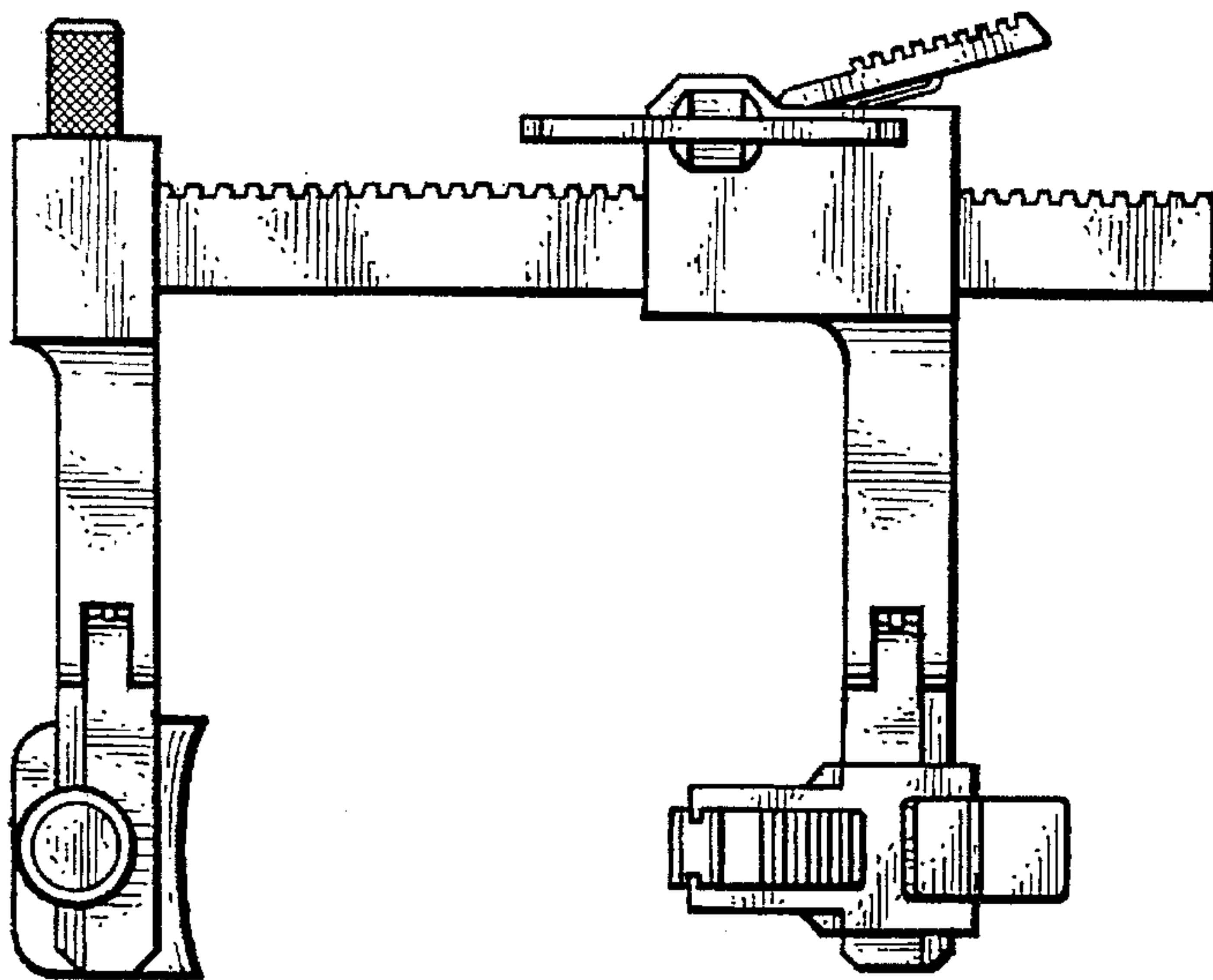


Fig. 6.

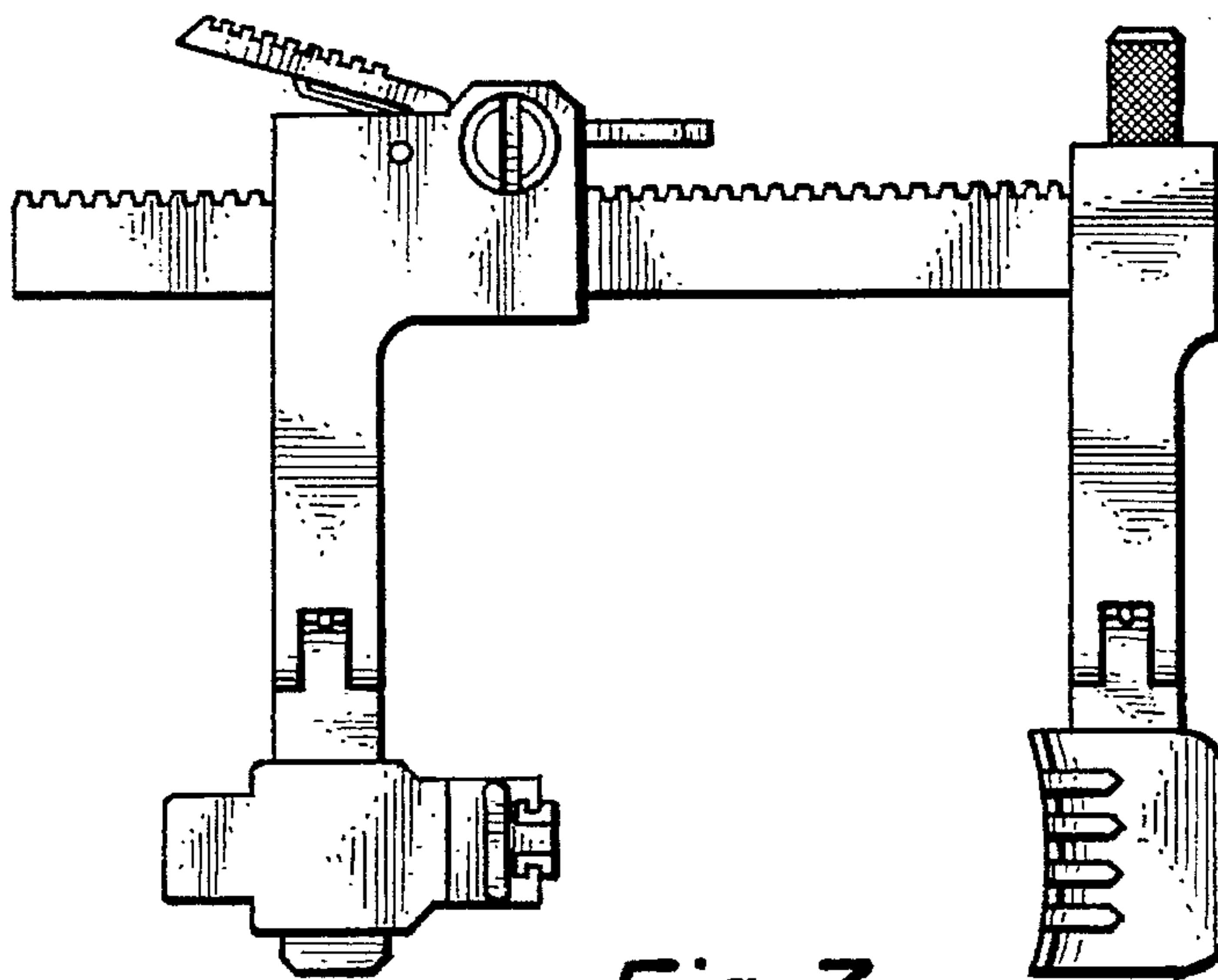


Fig. 7.

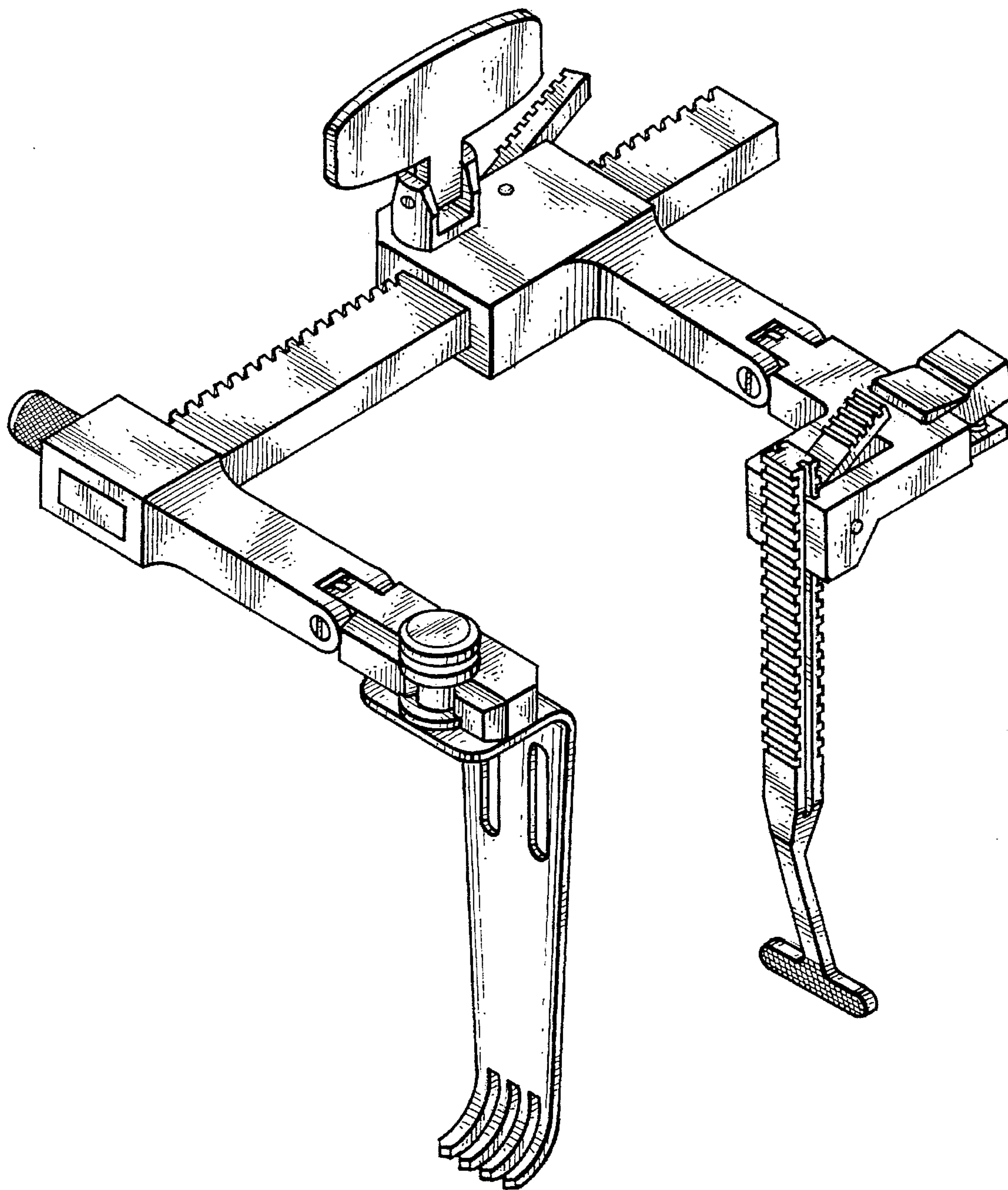


Fig. 8.

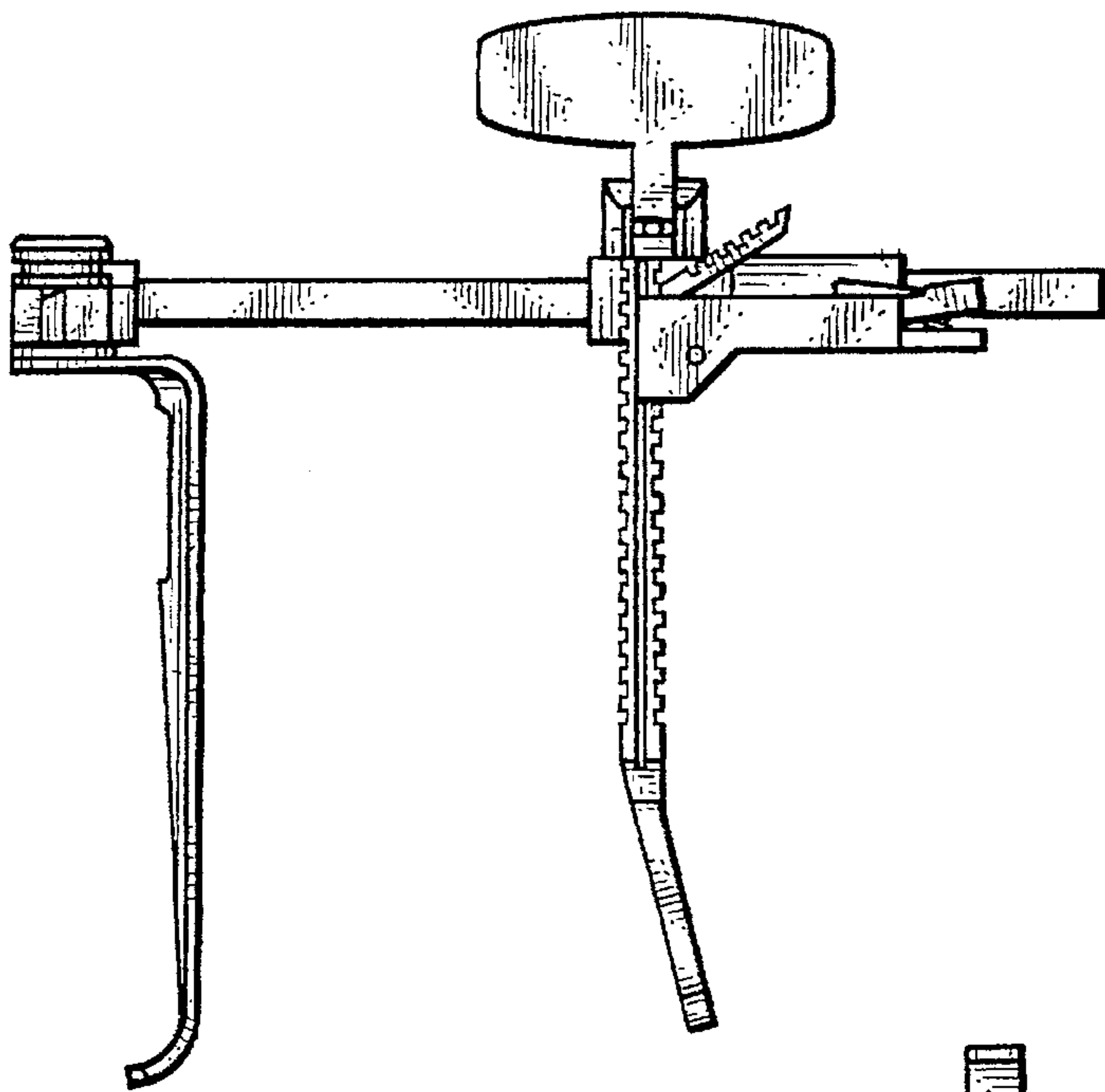


Fig. 9.

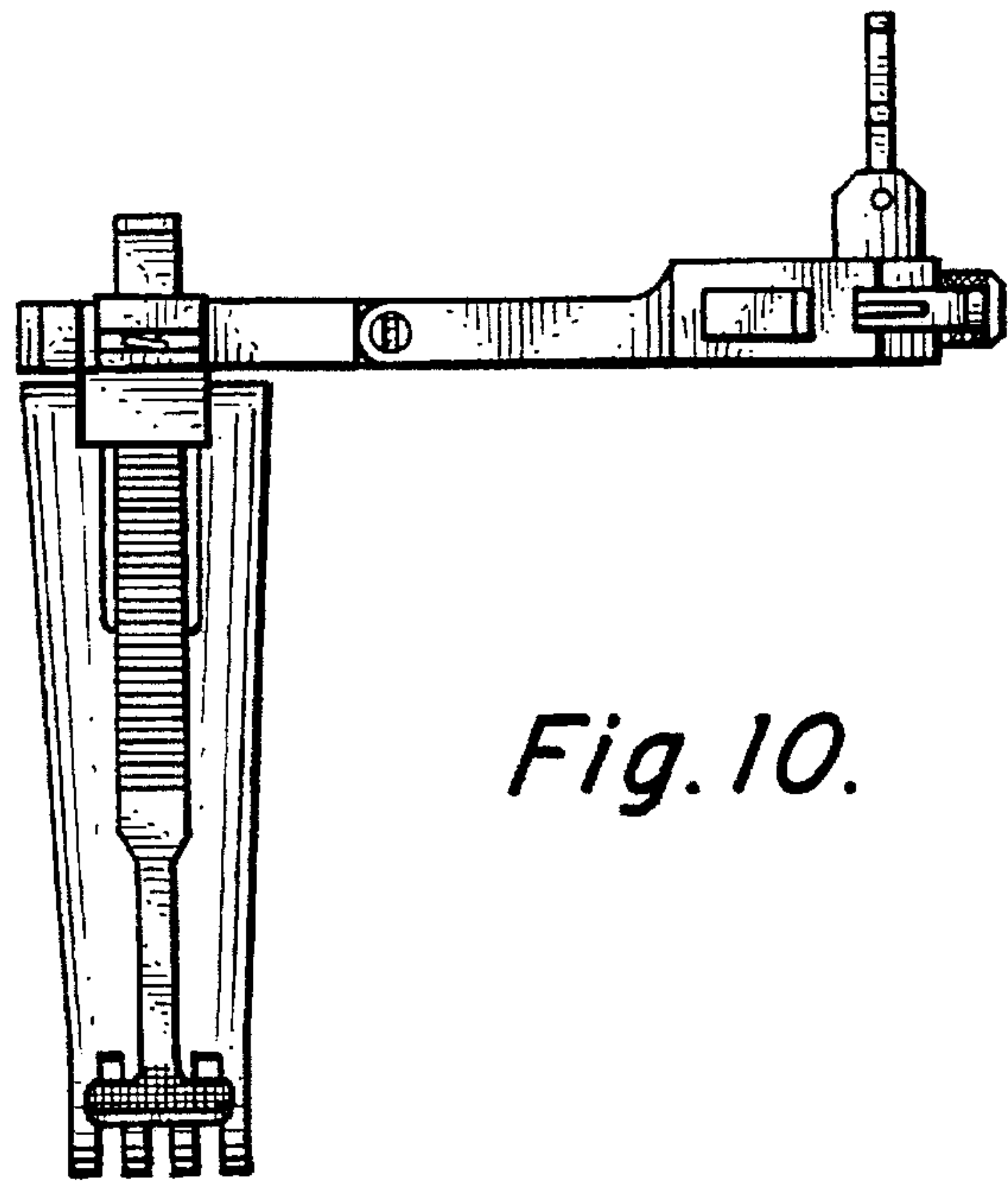


Fig. 10.

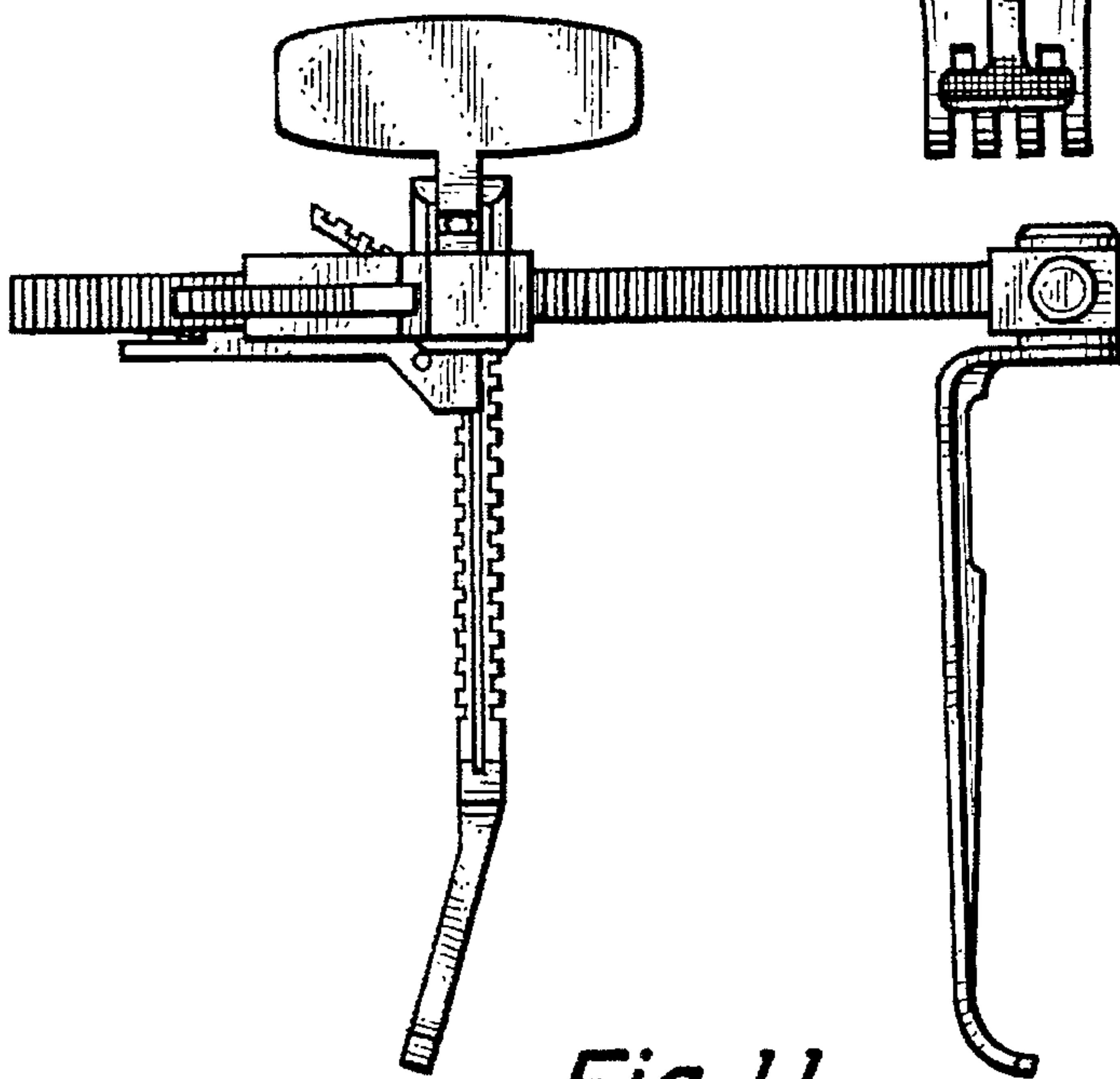


Fig. 11.

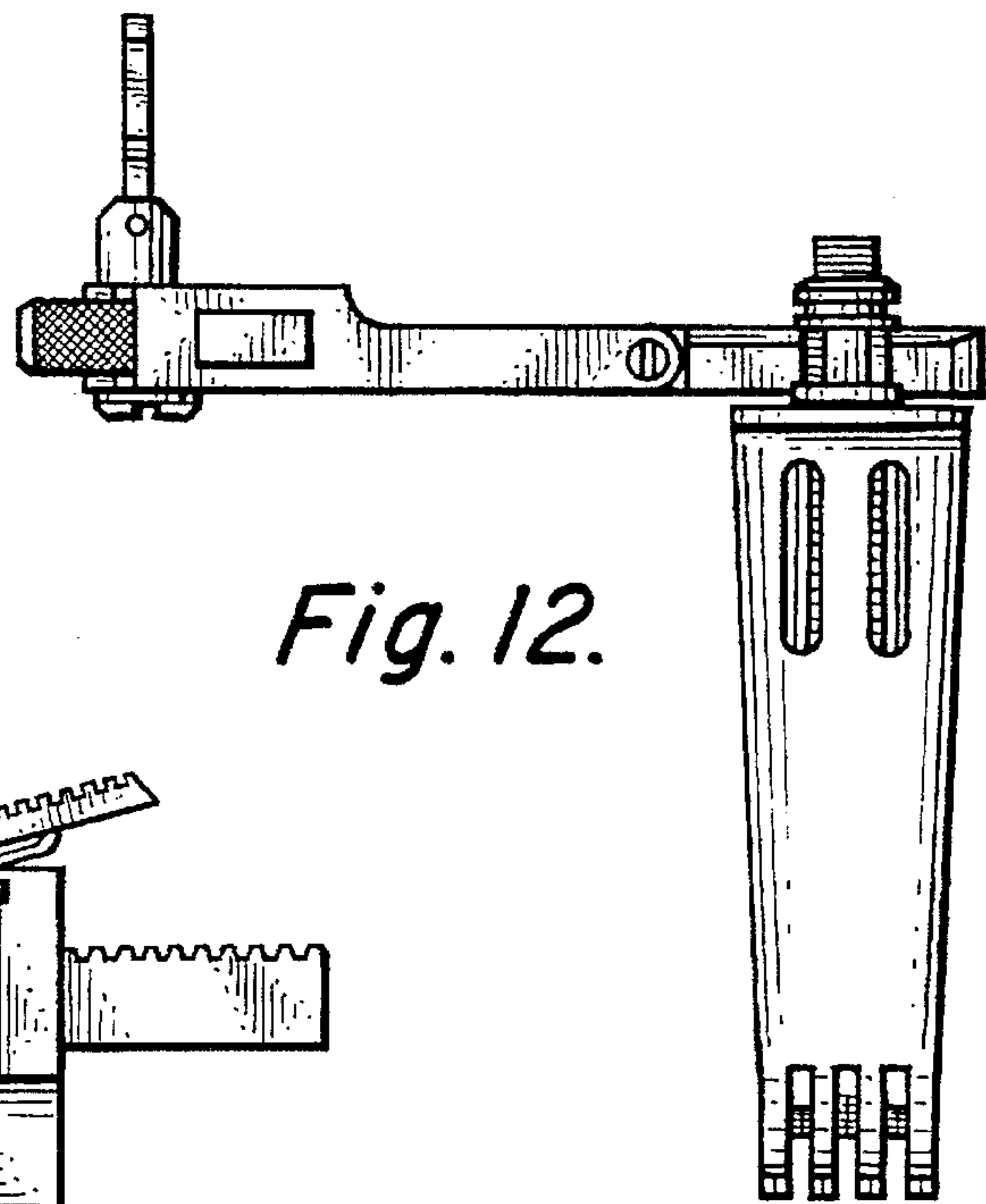


Fig. 12.

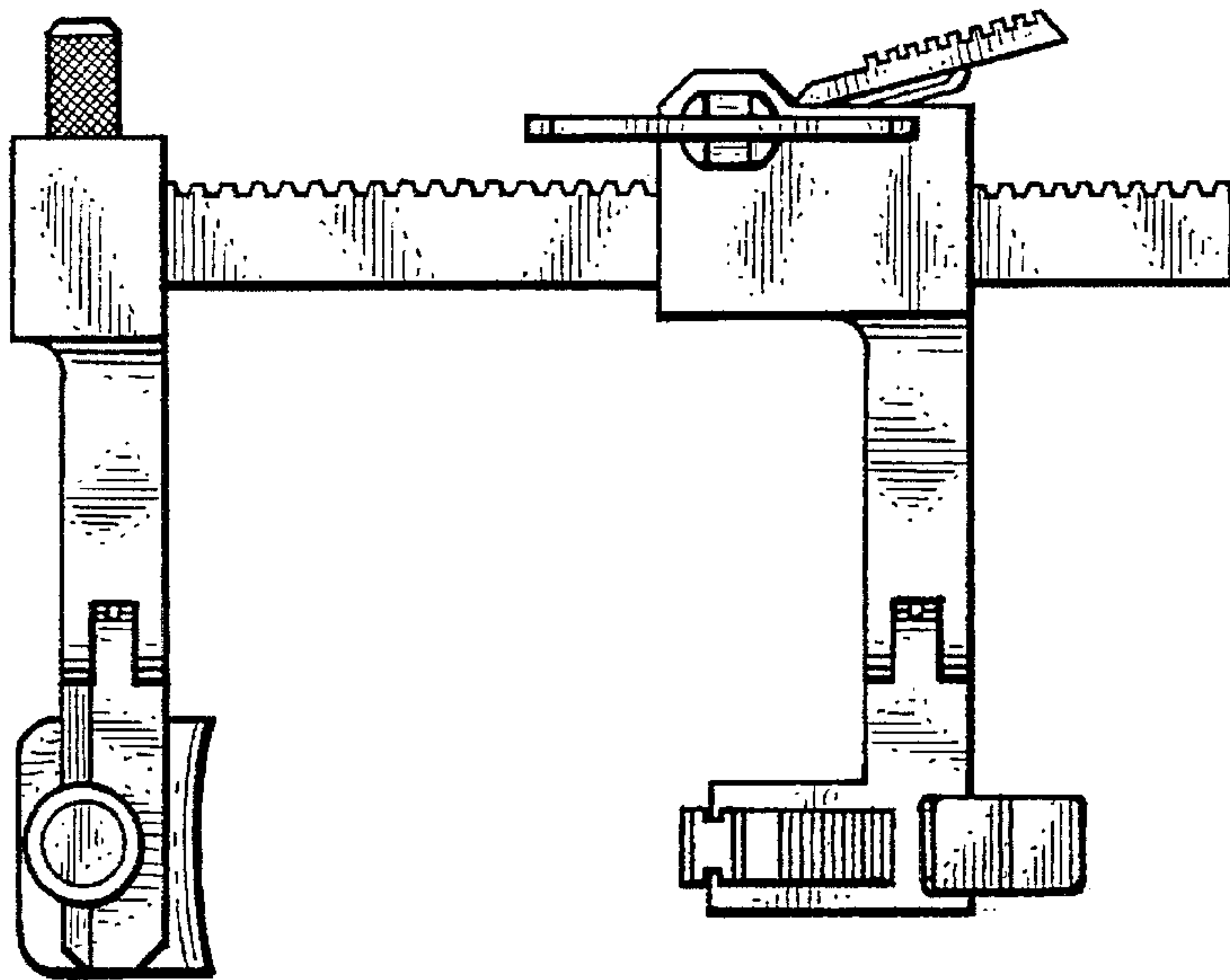


Fig. 13.

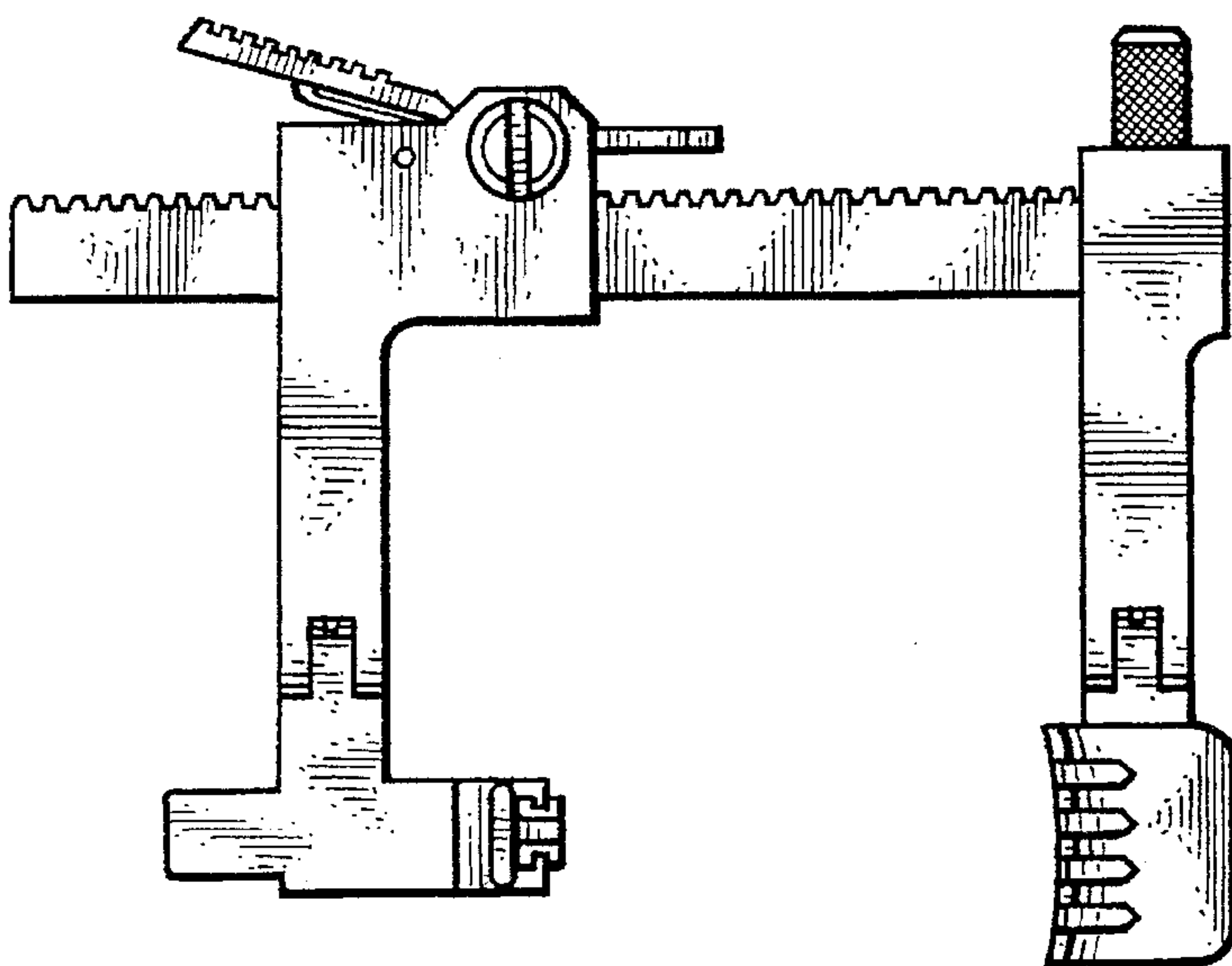


Fig. 14.