



US00D380546S

United States Patent [19]
Clegg et al.

[11] **Patent Number: Des. 380,546**

[45] **Date of Patent: **Jul. 1, 1997**

[54] **ROTARY PERISTALTIC PUMP**

D. 348,730 7/1994 Walker et al. D24/111
D. 353,667 12/1994 Tsubata et al. D24/111

[75] Inventors: **Robert Donald Clegg**, Pickerington;
Matthew Scott Fleming, Columbus;
Joseph Anthony Juratovac, Columbus;
Dennis John Hoffman, Columbus;
Grant Richard Wilson, Columbus;
William Edward Patton, Columbus, all
of Ohio

Primary Examiner—Ralf Seifert
Attorney, Agent, or Firm—Brian R. Woodworth

[73] Assignee: **Abbott Laboratories**, Abbott Park, Ill.

[**] Term: **14 Years**

[57] **CLAIM**

The ornamental design for a rotary peristaltic pump, as shown and described.

[21] Appl. No.: **44,270**

DESCRIPTION

[22] Filed: **Sep. 21, 1995**

FIG. 1 is a perspective view of a rotary peristaltic pump showing our new design;
FIG. 2 is a front elevation view thereof;
FIG. 3 is a top view thereof;
FIG. 4 is a right side elevation view thereof;
FIG. 5 is a rear elevation view thereof;
FIG. 6 is a left side elevation view thereof; and,
FIG. 7 is a bottom view thereof;
FIG. 8 is a perspective of a rotary peristaltic pump showing a second embodiment of my new design;
FIG. 9 is a front elevation view of FIG. 8;
FIG. 10 is a top view of a FIG. 8;
FIG. 11 is a right side elevation view of FIG. 8;
FIG. 12 is a rear elevation view of FIG. 8;
FIG. 13 is a left side elevation of FIG. 8; and,
FIG. 14 is a bottom view of FIG. 8.

[51] **LOC (6) Cl.** **24-02**

[52] **U.S. Cl.** **D24/111**

[58] **Field of Search** D15/7-9; 417/415,
417/419, 234, 229, 321, 410-411, 265,
405, 360, 474; D24/107-108, 111, 128;
128/DIG. 13, DIG. 12; 604/151, 152, 153;
D3/107, 108

[56] **References Cited**

U.S. PATENT DOCUMENTS

D. 314,433 2/1991 Frantz D24/111

1 Claim, 14 Drawing Sheets

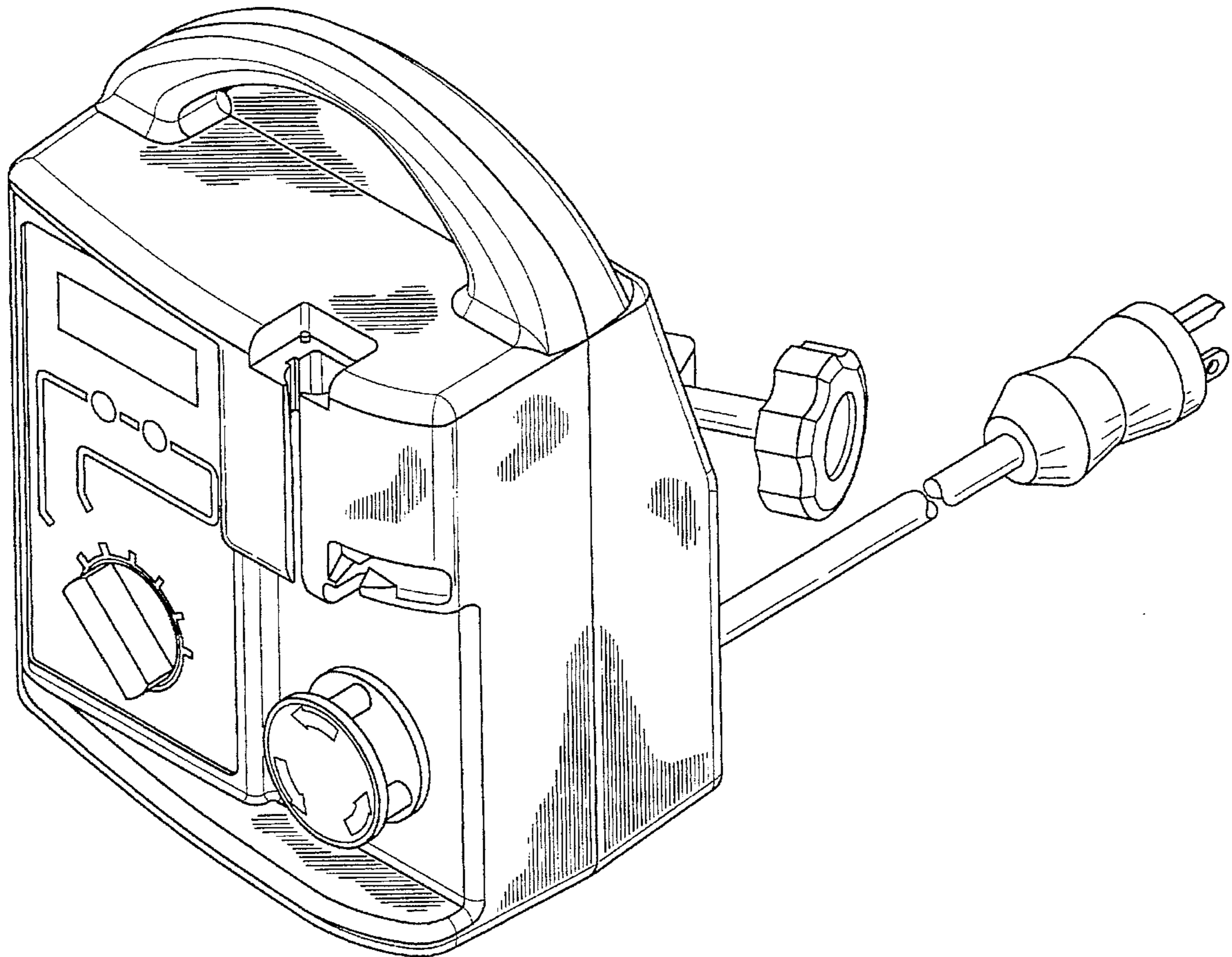
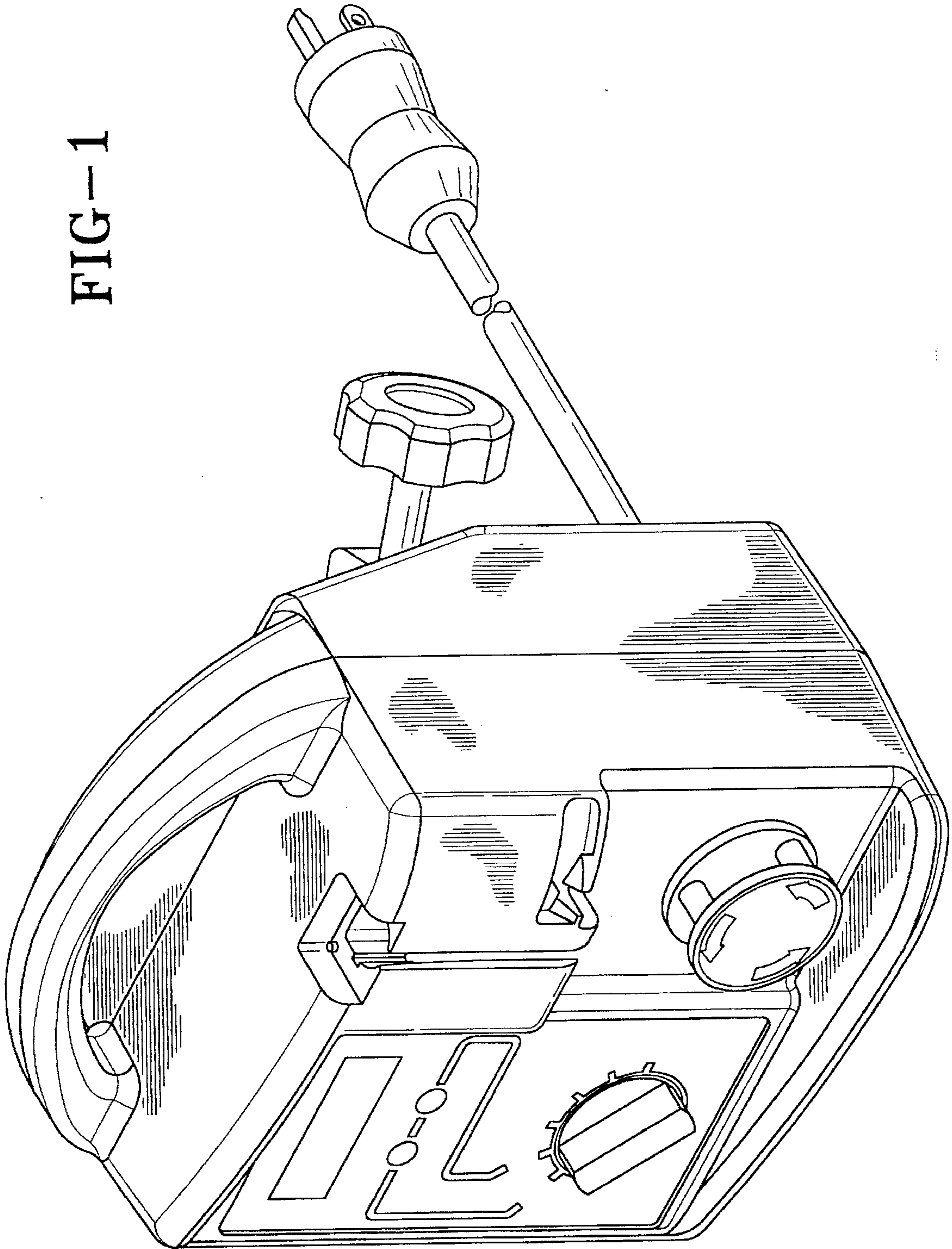


FIG-1



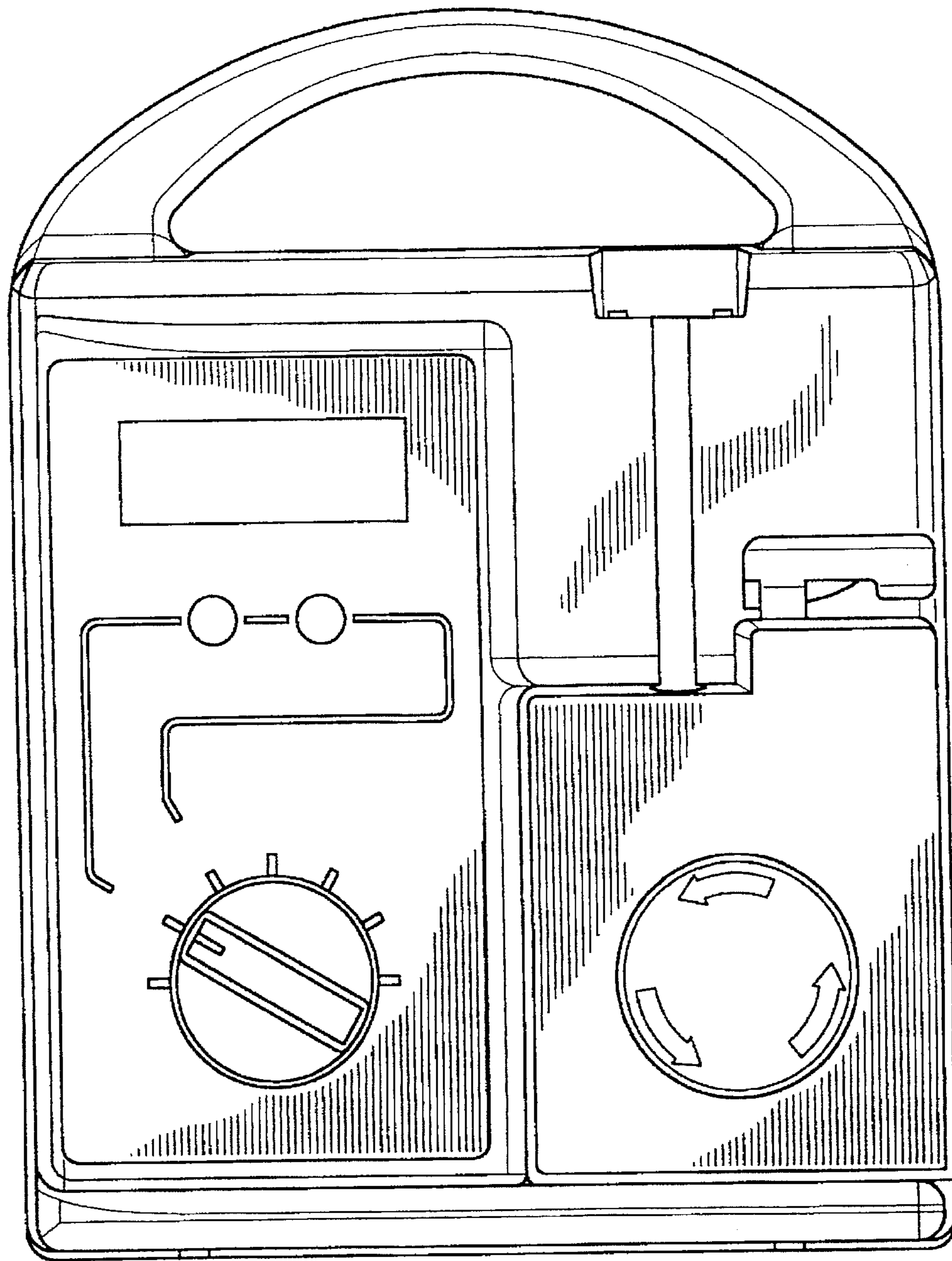


FIG-2

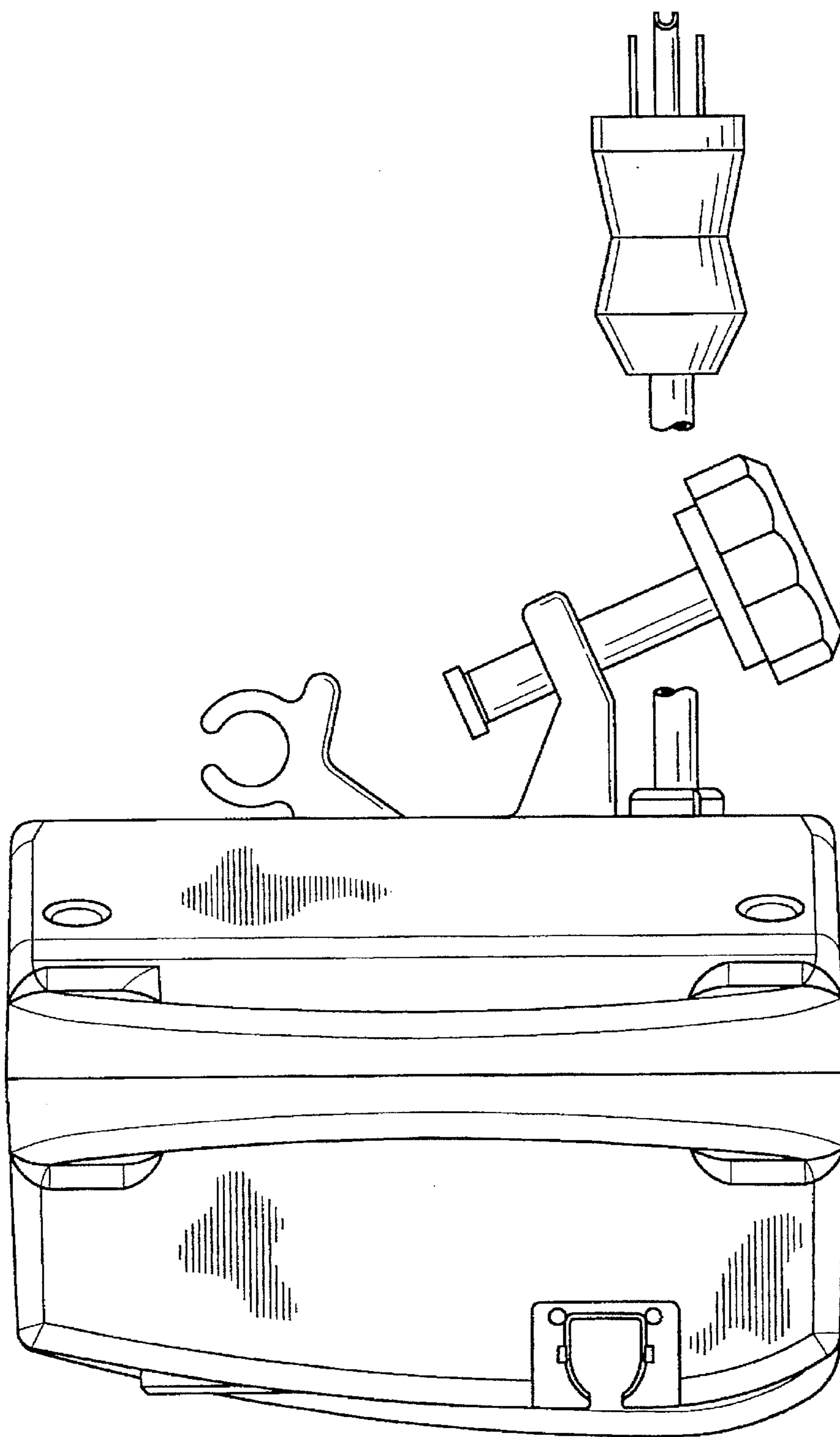


FIG-3

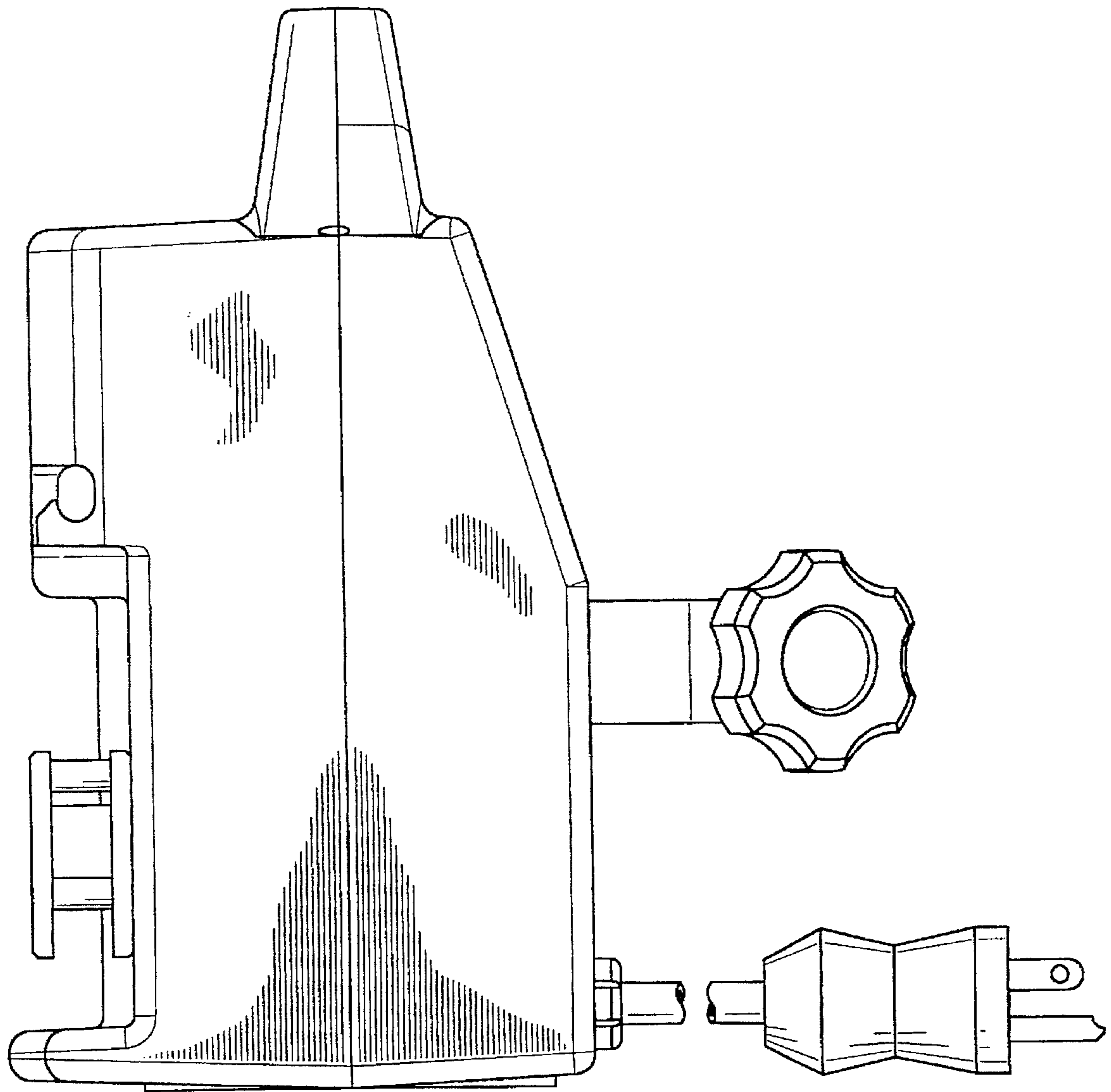


FIG-4

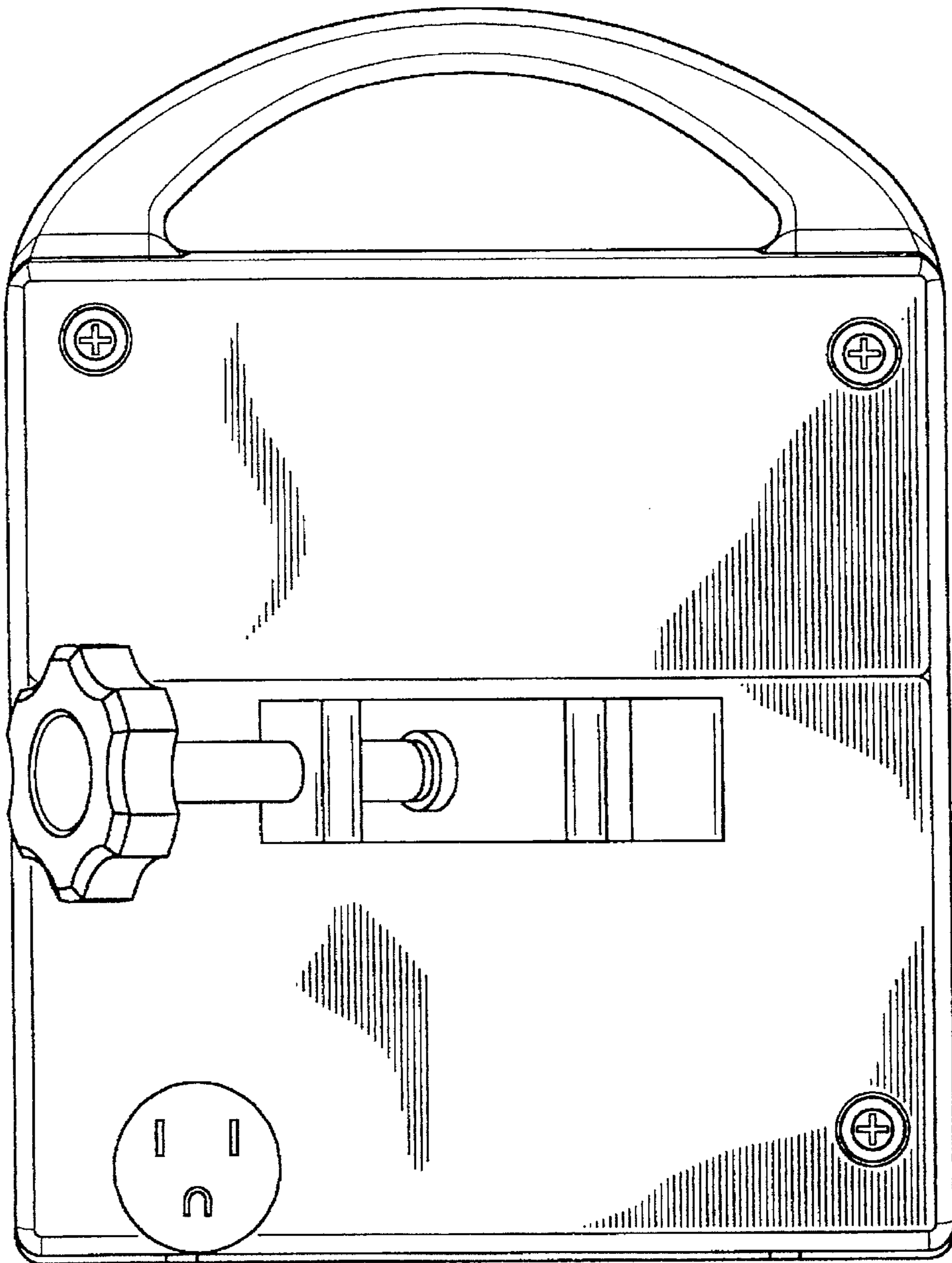


FIG-5

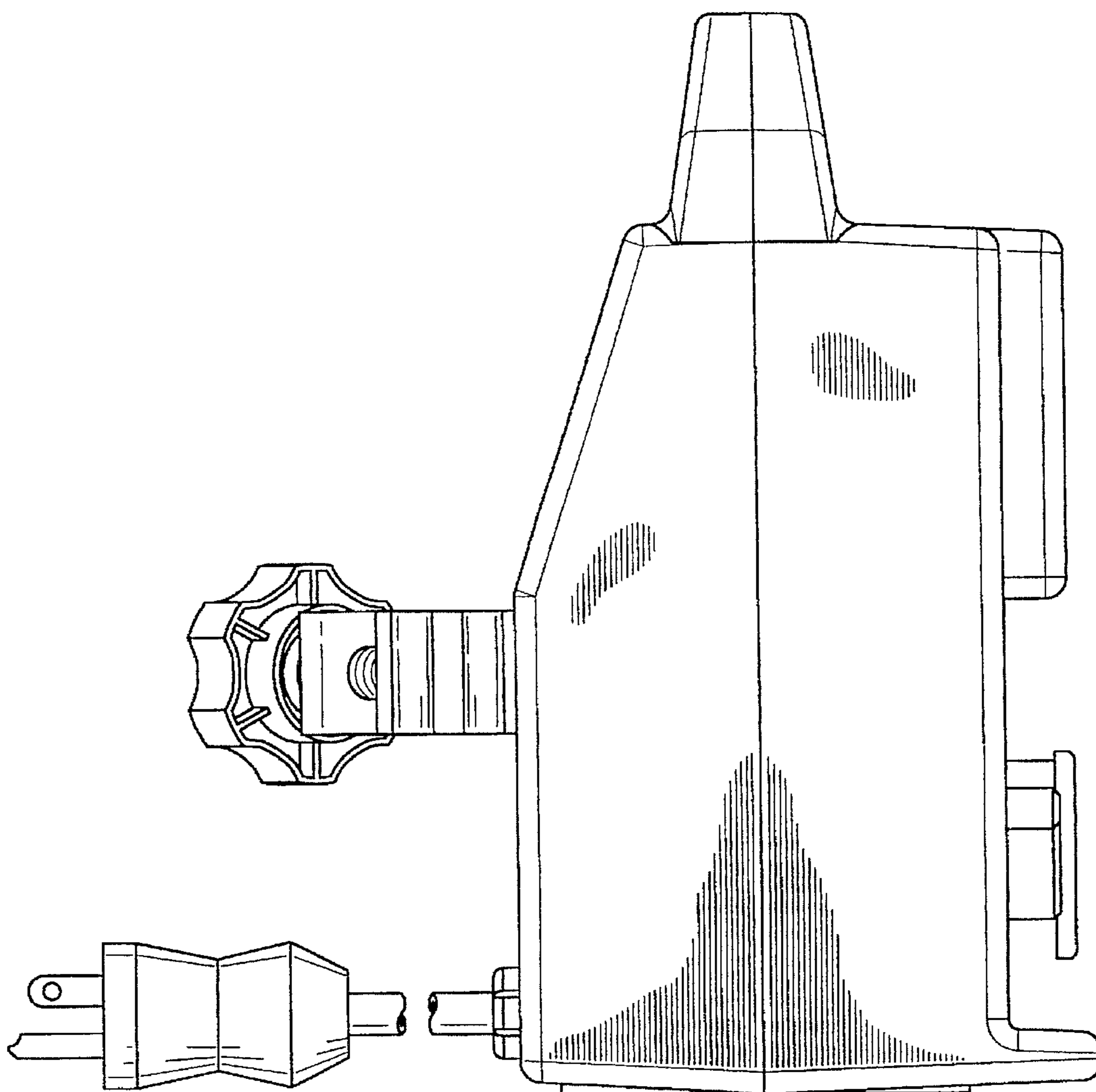


FIG-6

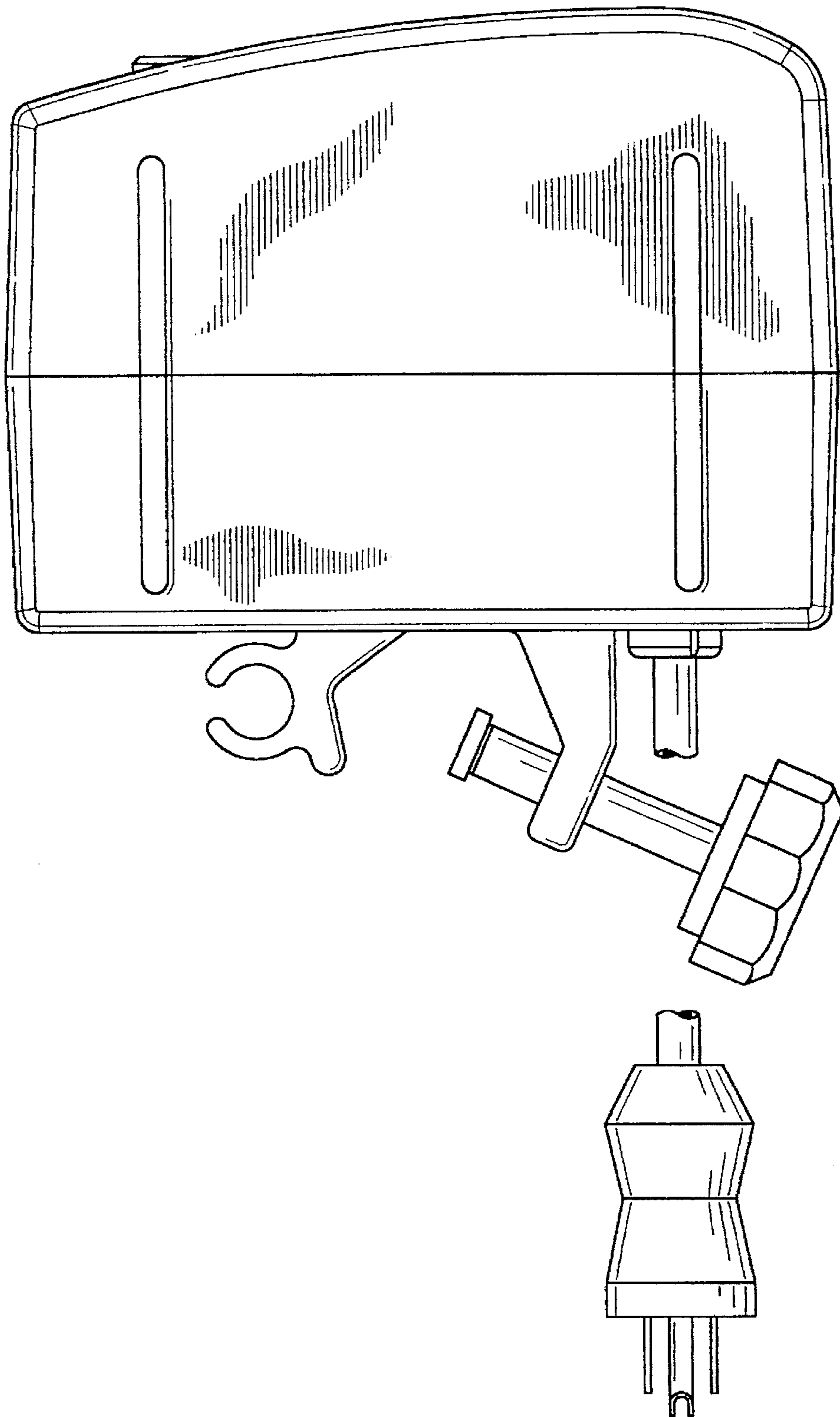
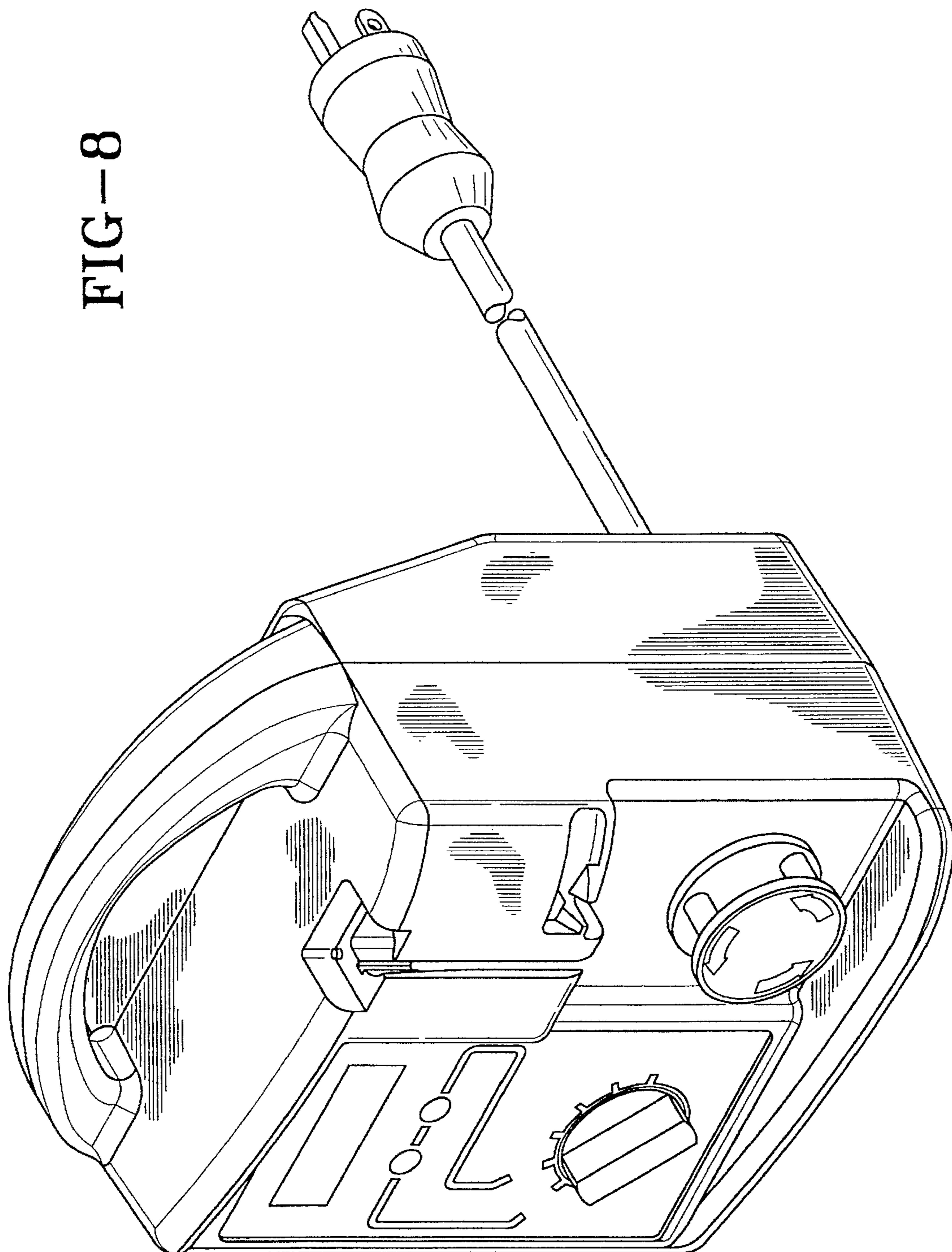


FIG-7

FIG-8



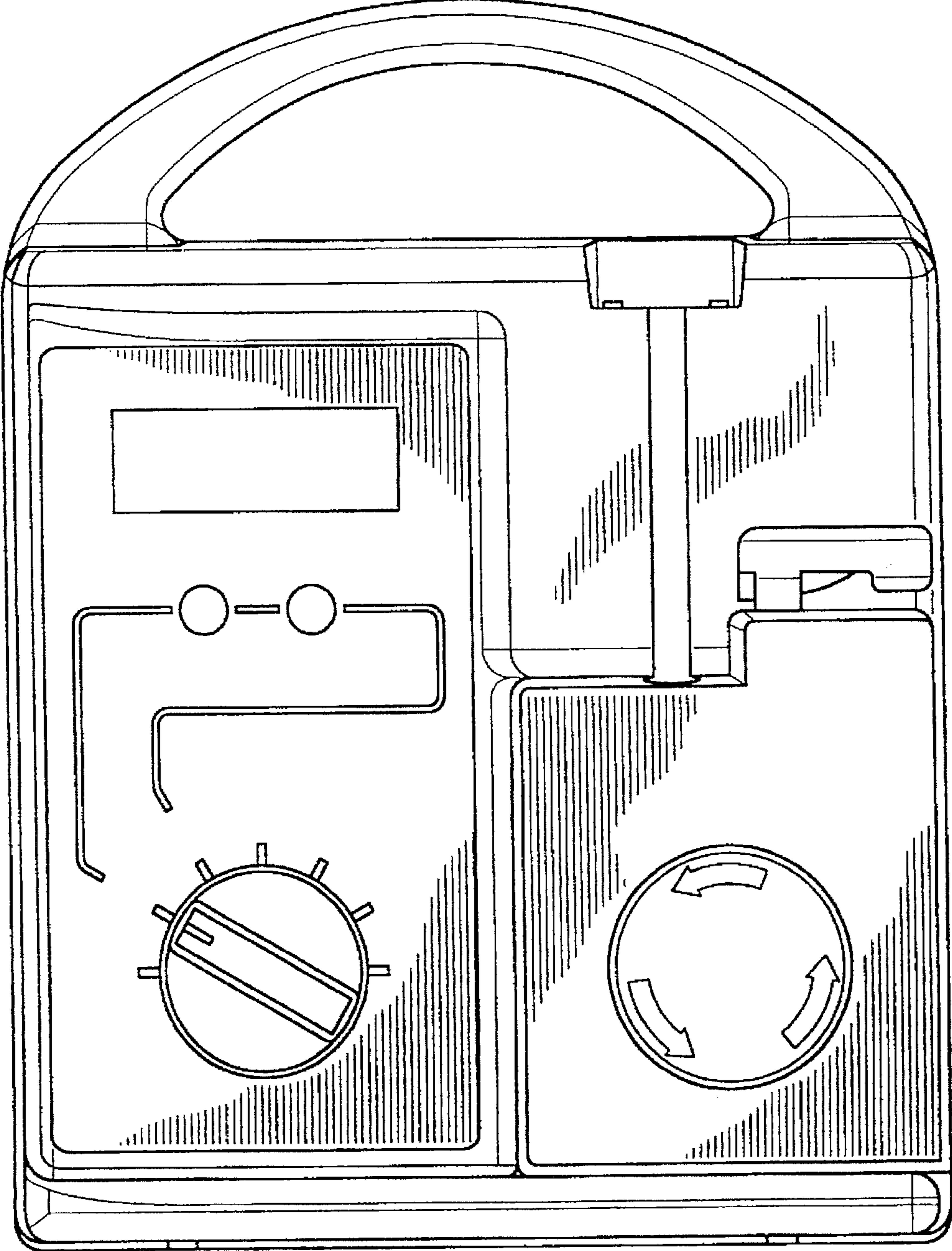


FIG-9

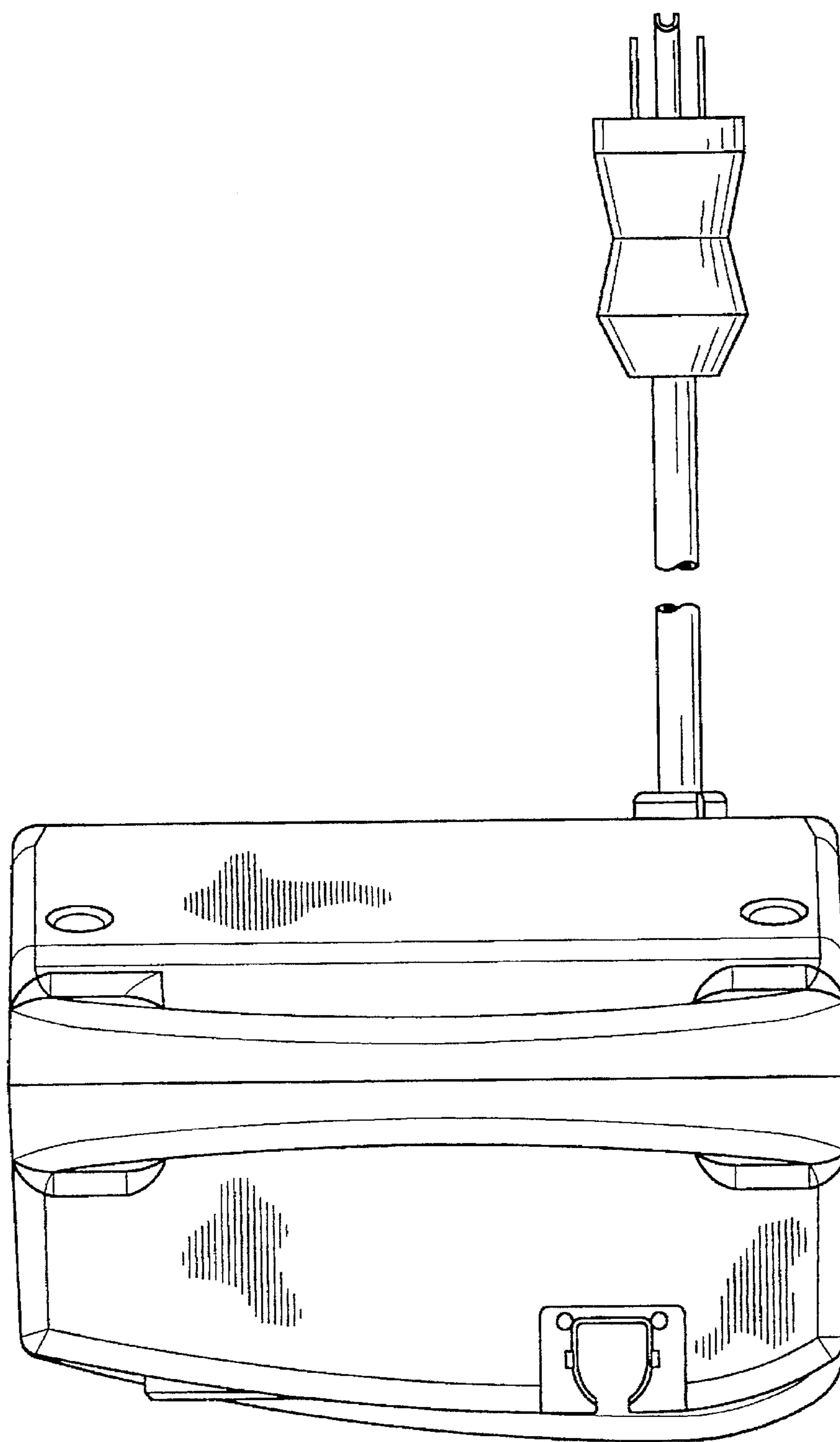


FIG-10

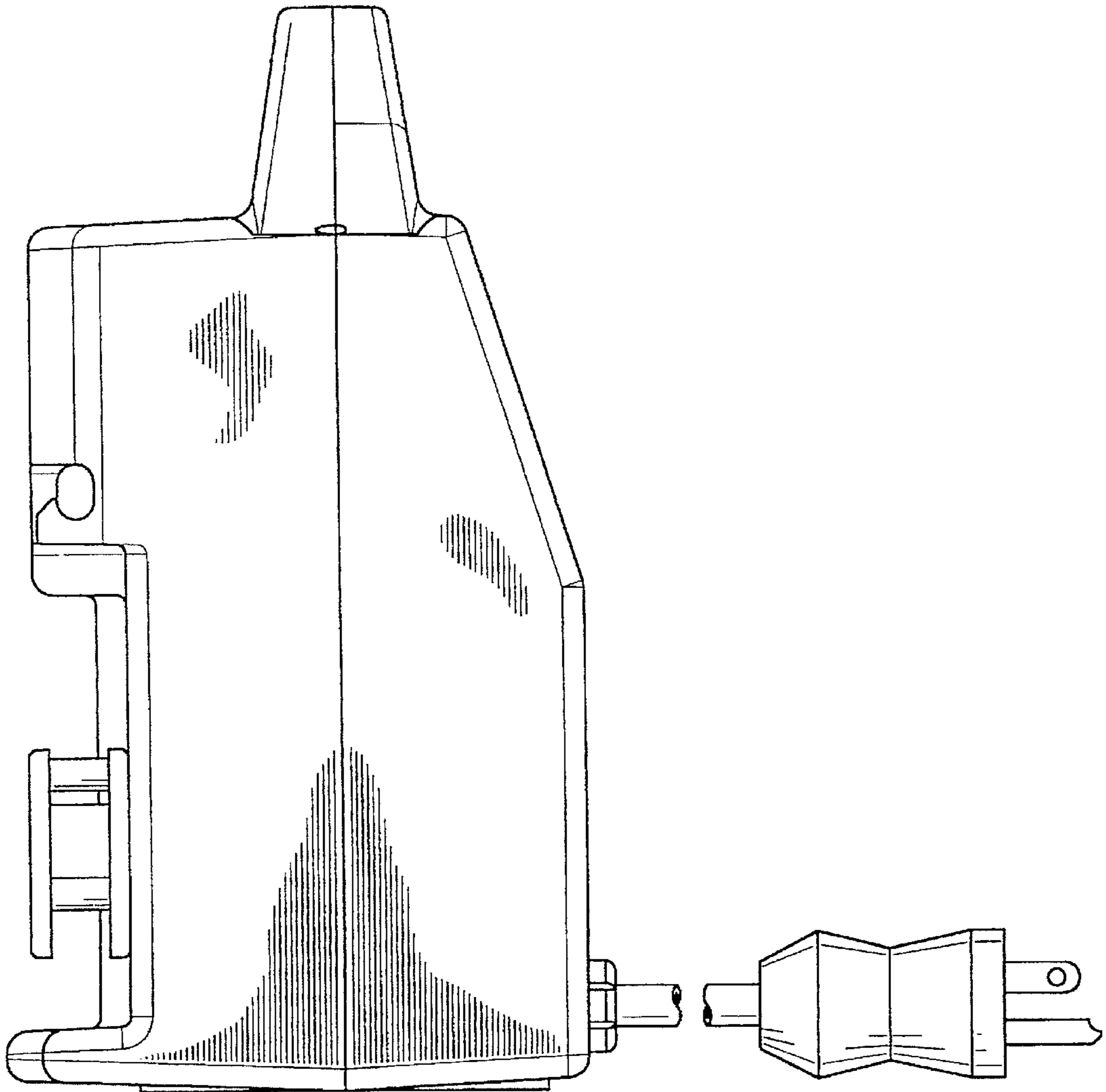


FIG-11

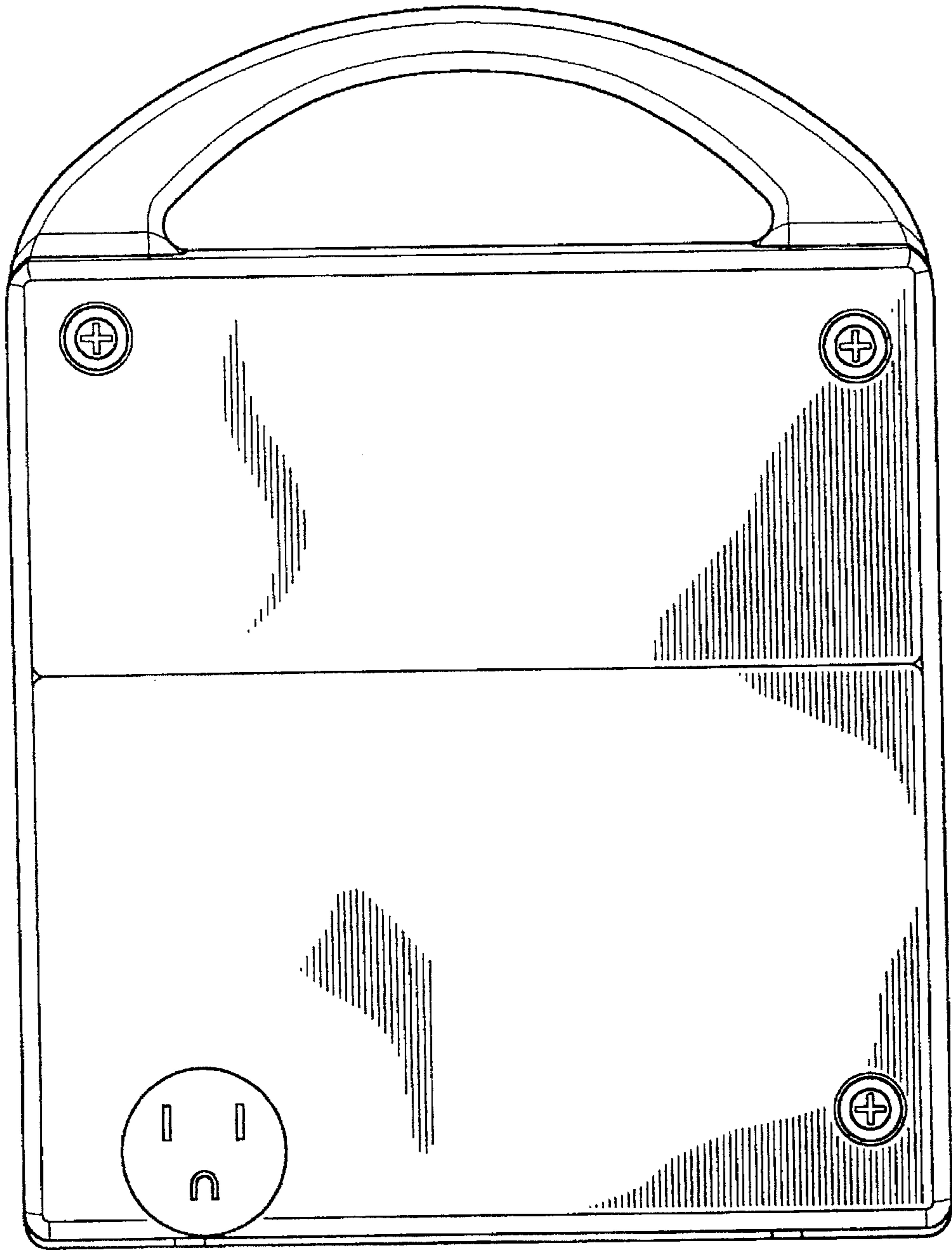


FIG-12

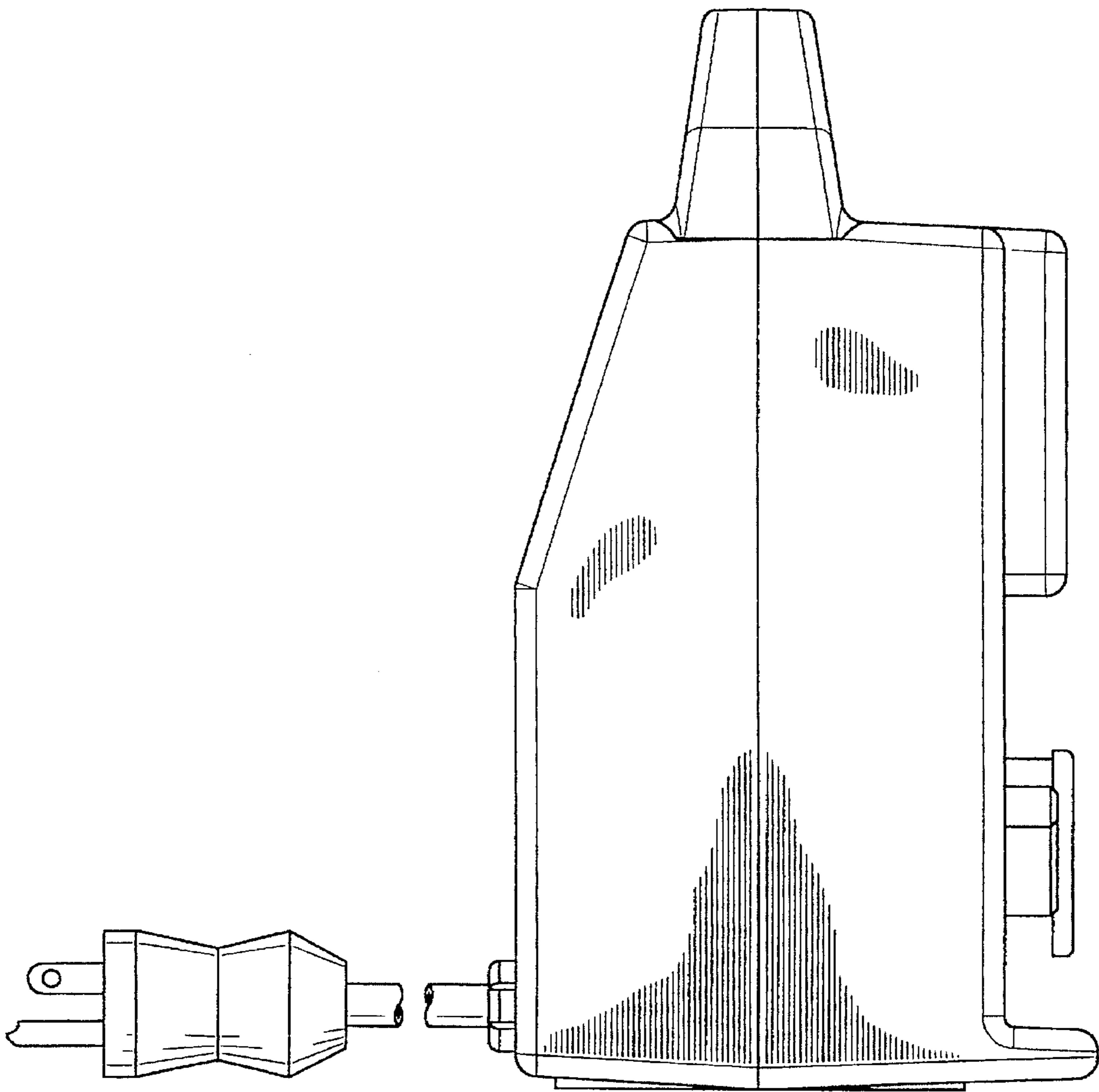


FIG-13

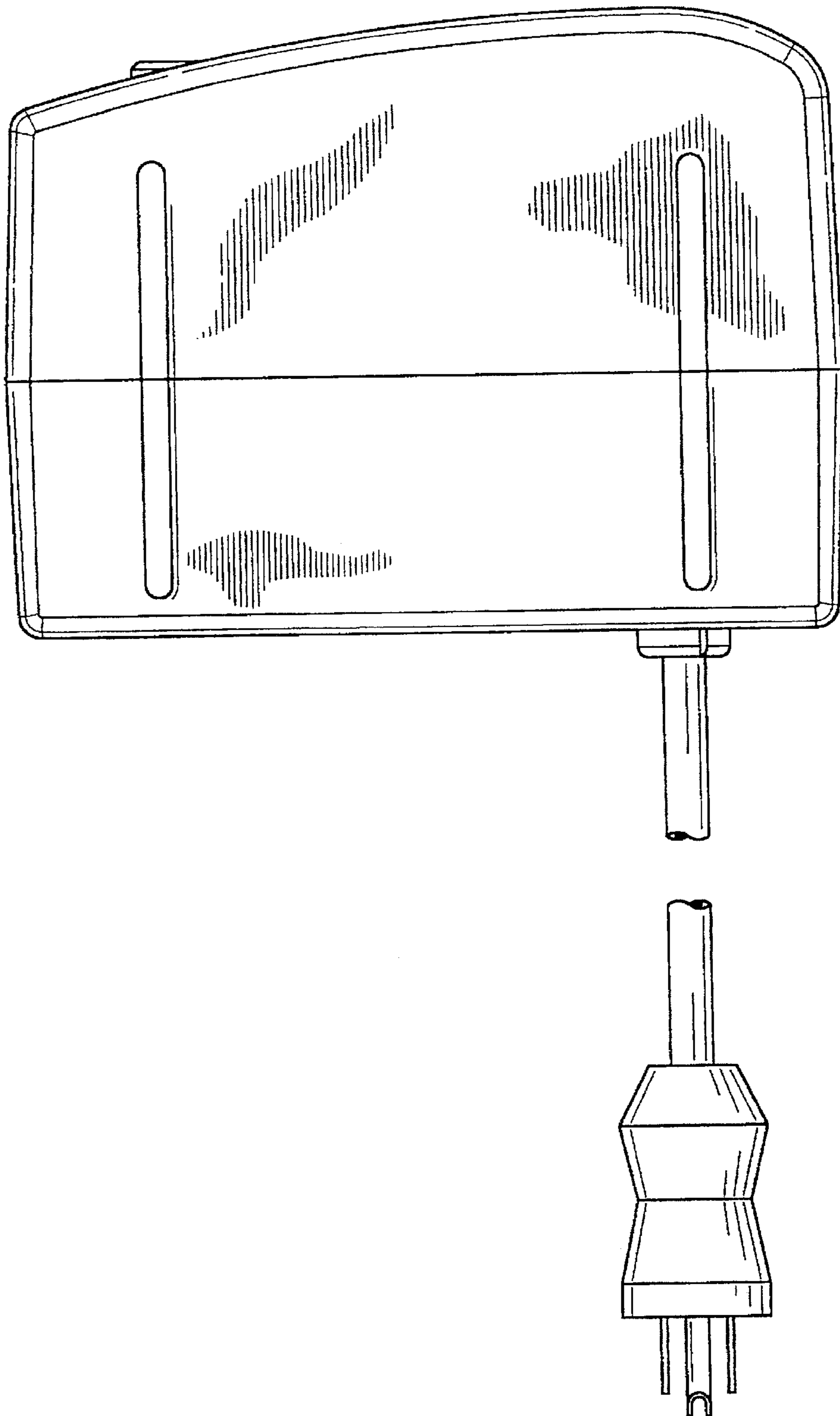


FIG-14