



US00D380543S

# United States Patent [19]

Piontek et al.

[11] Patent Number: **Des. 380,543**

[45] Date of Patent: **\*\*Jul. 1, 1997**

[54] **FLUID DELIVERY SET**

[75] Inventors: **Carl Joseph Piontek, Powell; Robert Donald Clegg, Pickerington; Bradford Lynn Buck, Gahanna; Matthew Scott Fleming; Grant Richard Wilson**, both of Columbus; **William Edward Patton**, Dublin; **William Fred Lyon**, Marengo, all of Ohio

[73] Assignee: **Abbott Laboratories, Abbott Park, Ill.**

[\*\*] Term: **14 Years**

[21] Appl. No.: **44,254**

[22] Filed: **Sep. 21, 1995**

[51] LOC (6) Cl. .... **24-02**

[52] U.S. Cl. .... **D24/108; D24/112; D24/118; D24/128**

[58] Field of Search ..... **D24/108, 112, D24/111, 118, 129, 169, 162, 164; 604/283, 284, 403, 410, 412, 413, 905, 4, 6, 30; 128/764, 763, 765, 766**

[56] **References Cited**

**U.S. PATENT DOCUMENTS**

D. 237,549	11/1975	Tilander .....	D24/115
D. 263,870	4/1982	Greene .....	D24/118
D. 354,129	1/1995	Salvadori .....	D24/118
D. 356,150	3/1995	Duggan et al. ....	D24/112

4,096,897	6/1978	Cammarata III .....	D24/118 X
5,259,843	11/1993	Watanabe et al. ....	604/905 X
5,269,317	12/1993	Bennett .....	128/760
5,492,531	2/1996	Post et al. ....	604/905 X

*Primary Examiner*—Louis S. Zarfaz  
*Assistant Examiner*—I. Simmons  
*Attorney, Agent, or Firm*—Brian R. Woodworth

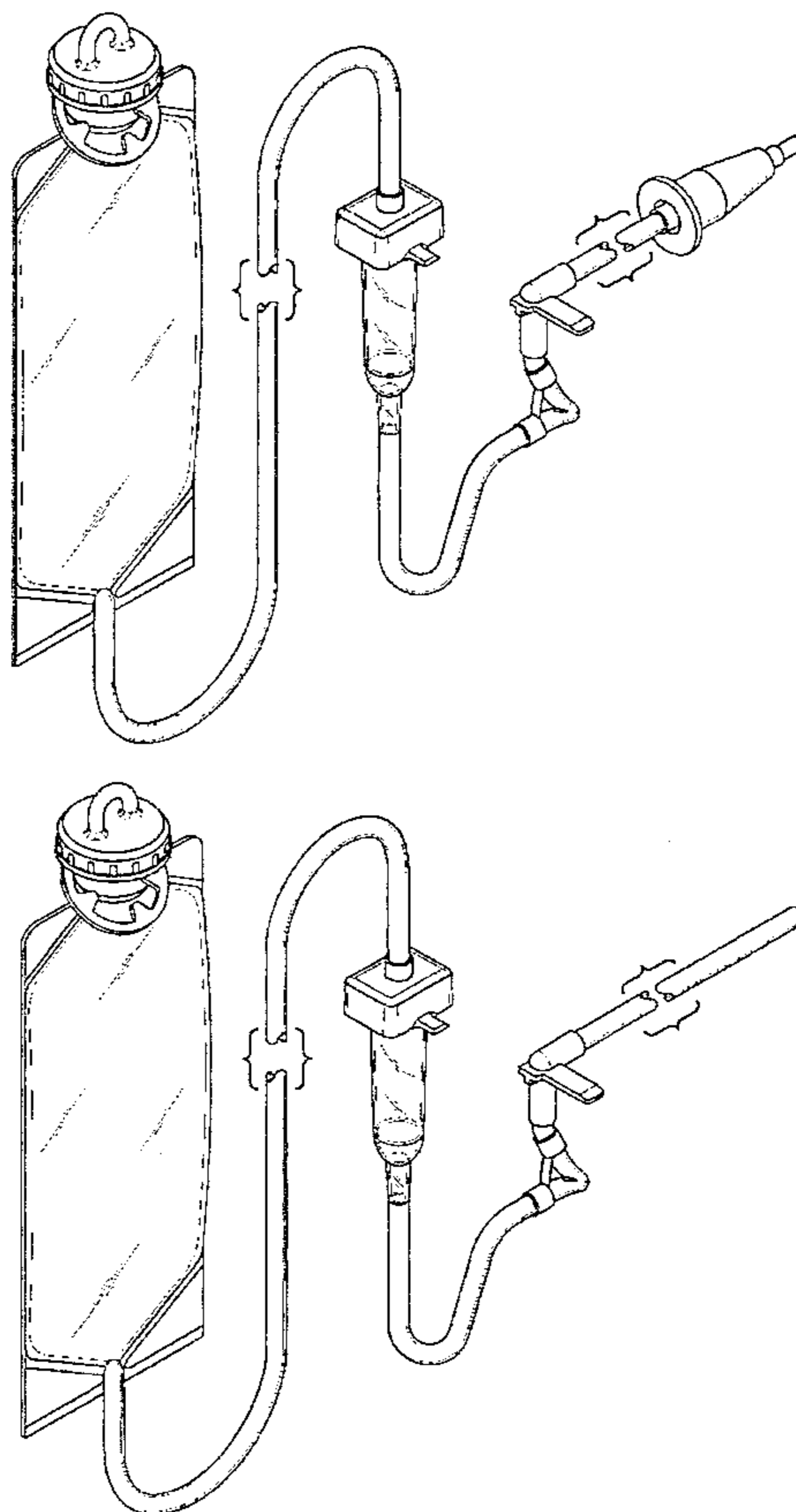
[57] **CLAIM**

The ornamental design for a fluid delivery set, as shown and described.

**DESCRIPTION**

FIG. 1 is a perspective view of a fluid delivery set showing our new design;  
FIG. 2 is a front elevation view thereof;  
FIG. 3 is a left side elevation view thereof;  
FIG. 4 is a rear elevation view thereof;  
FIG. 5 is a right side elevation view thereof;  
FIG. 6 is a top view thereof of FIG. 2; and,  
FIG. 7 is a bottom view thereof of FIG. 4;  
FIG. 8 is a perspective view of a second embodiment of a fluid delivery set showing our new design;  
FIG. 9 is a front elevation view thereof;  
FIG. 10 is a right side elevation view thereof;  
FIG. 11 is a rear elevation view thereof;  
FIG. 12 is a left side elevation view thereof;  
FIG. 13 is a top view thereof of FIG. 9; and,  
FIG. 14 is a bottom view thereof of FIG. 11.

**1 Claim, 8 Drawing Sheets**



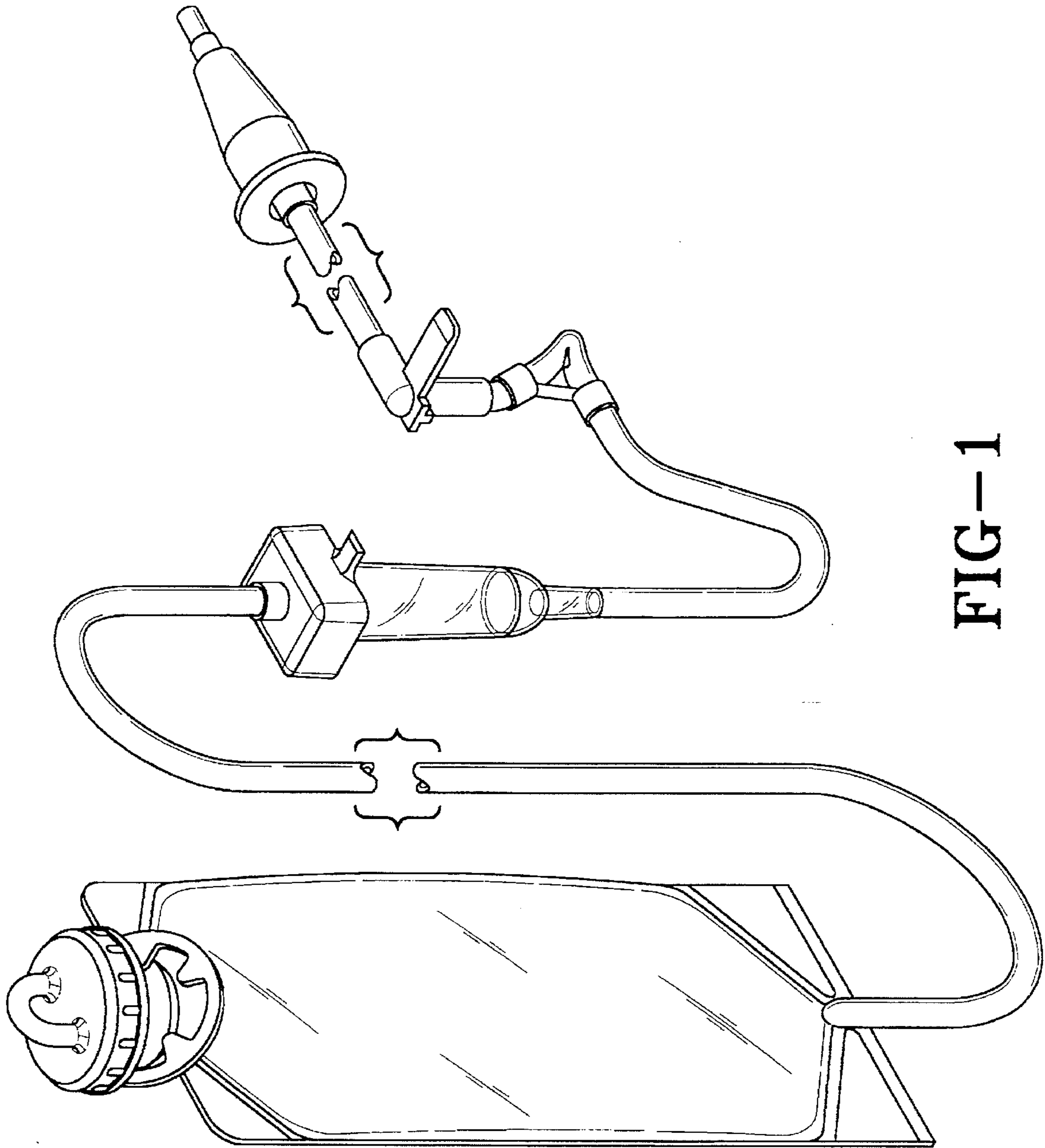


FIG-1

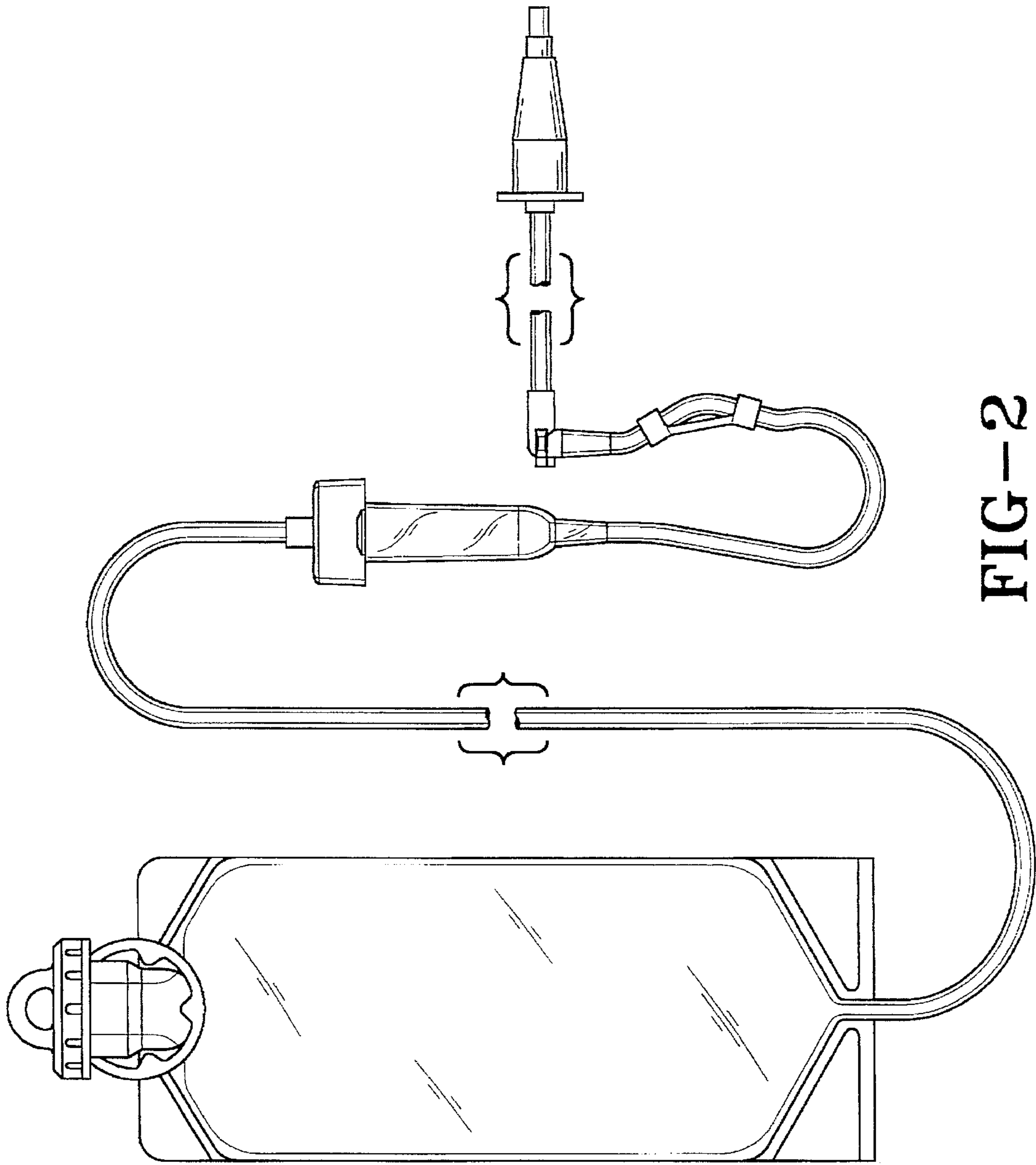


FIG-2

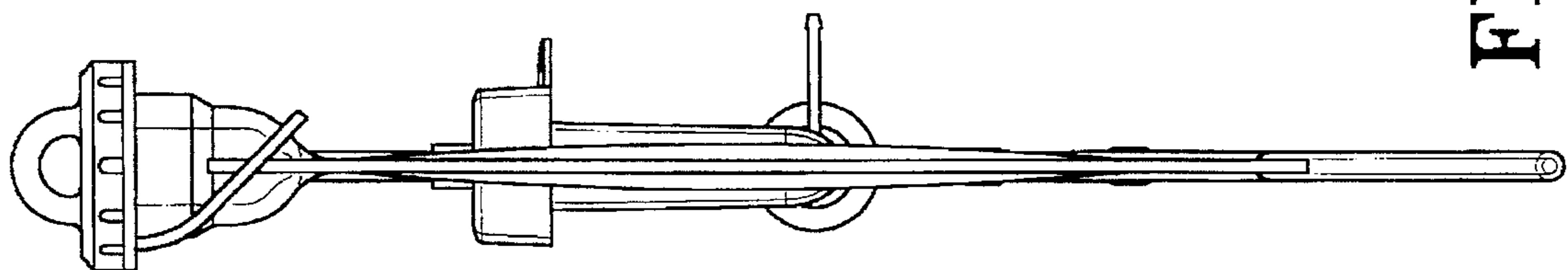


FIG-3

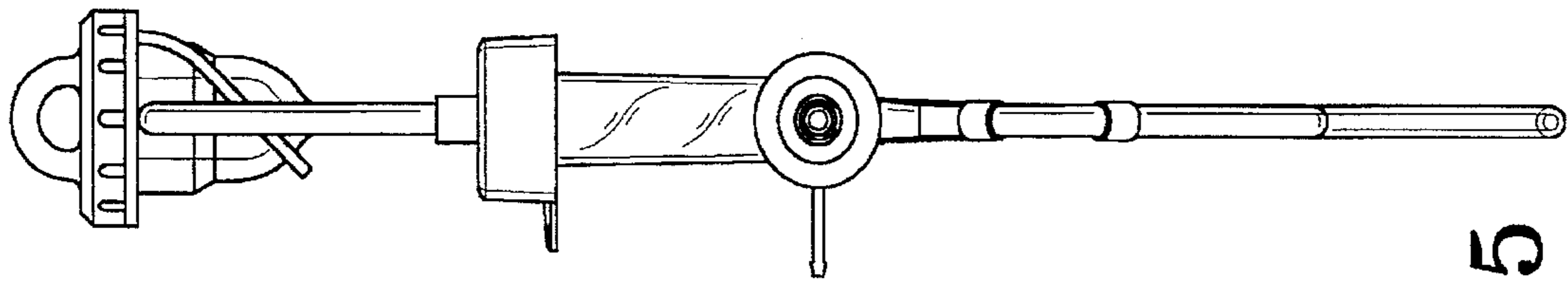


FIG-5

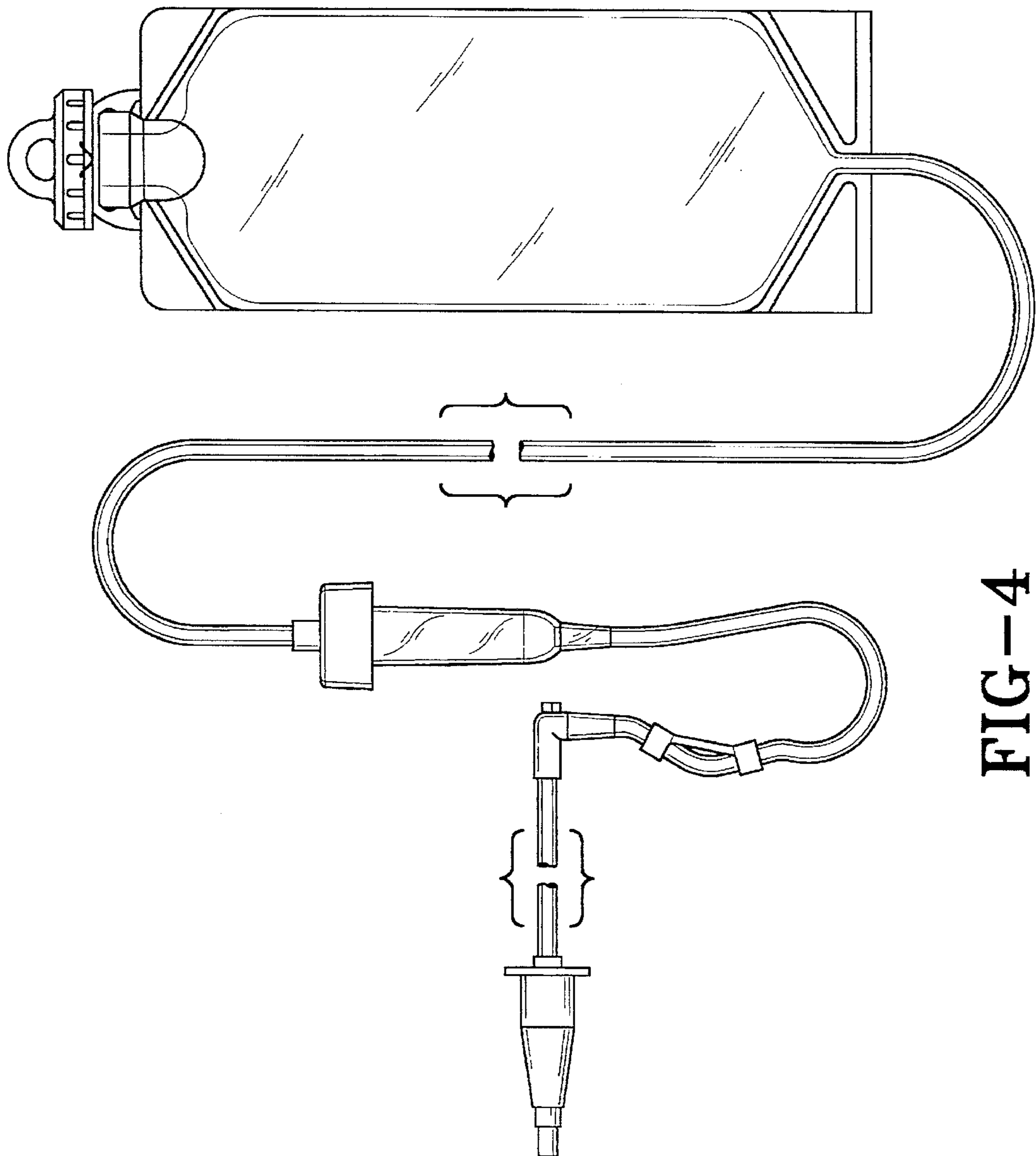


FIG-4

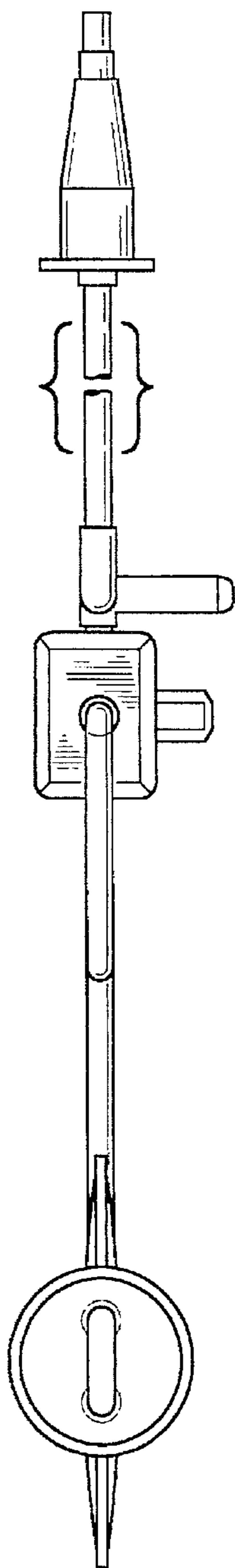


FIG-6

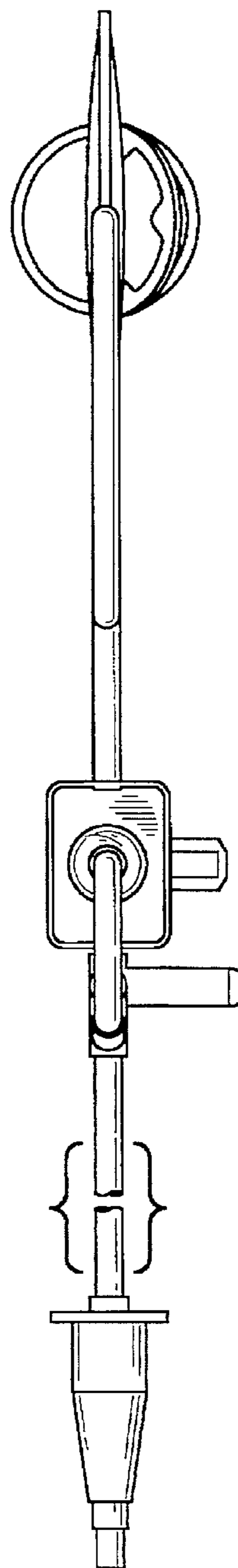


FIG-7

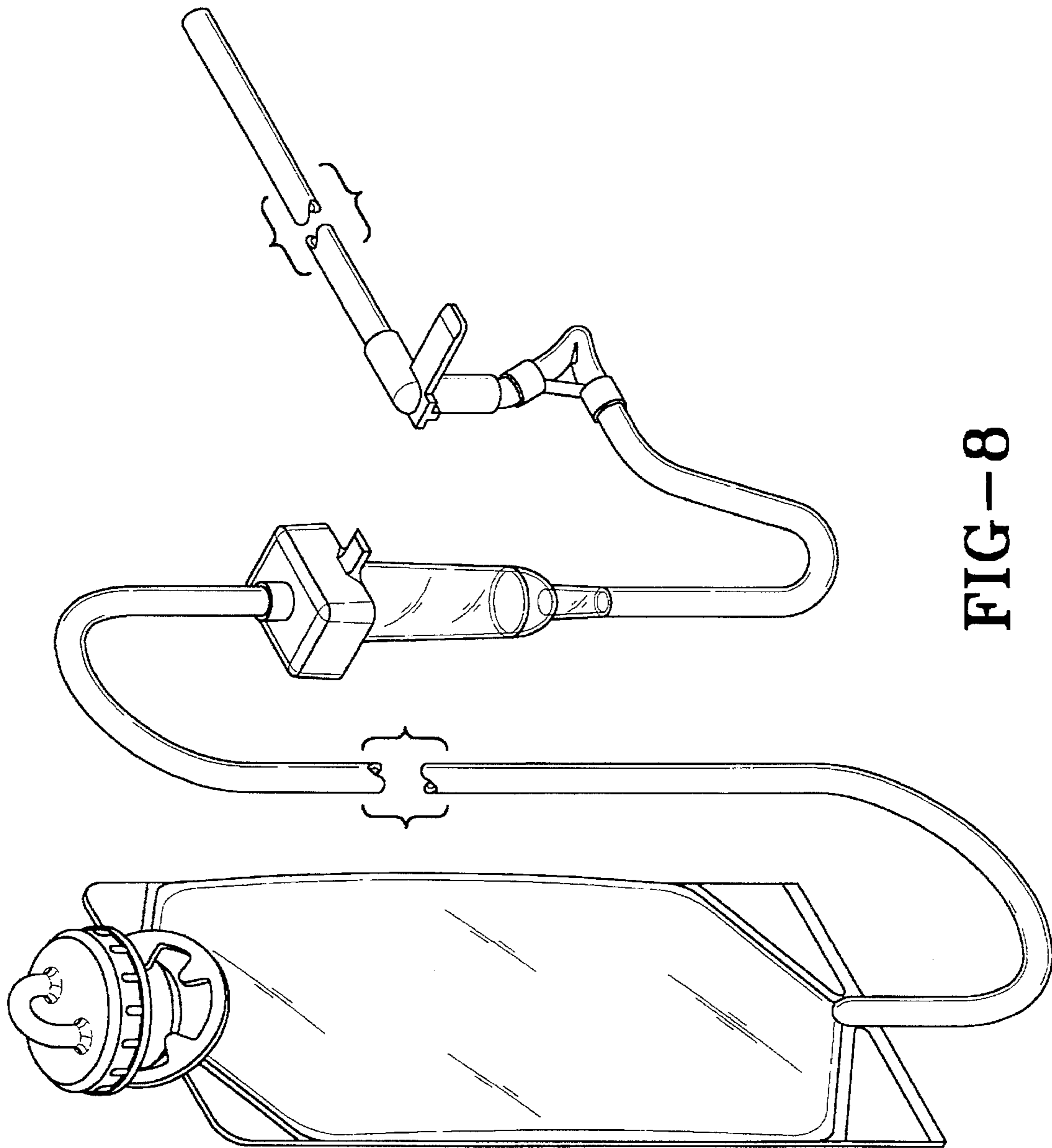


FIG-8

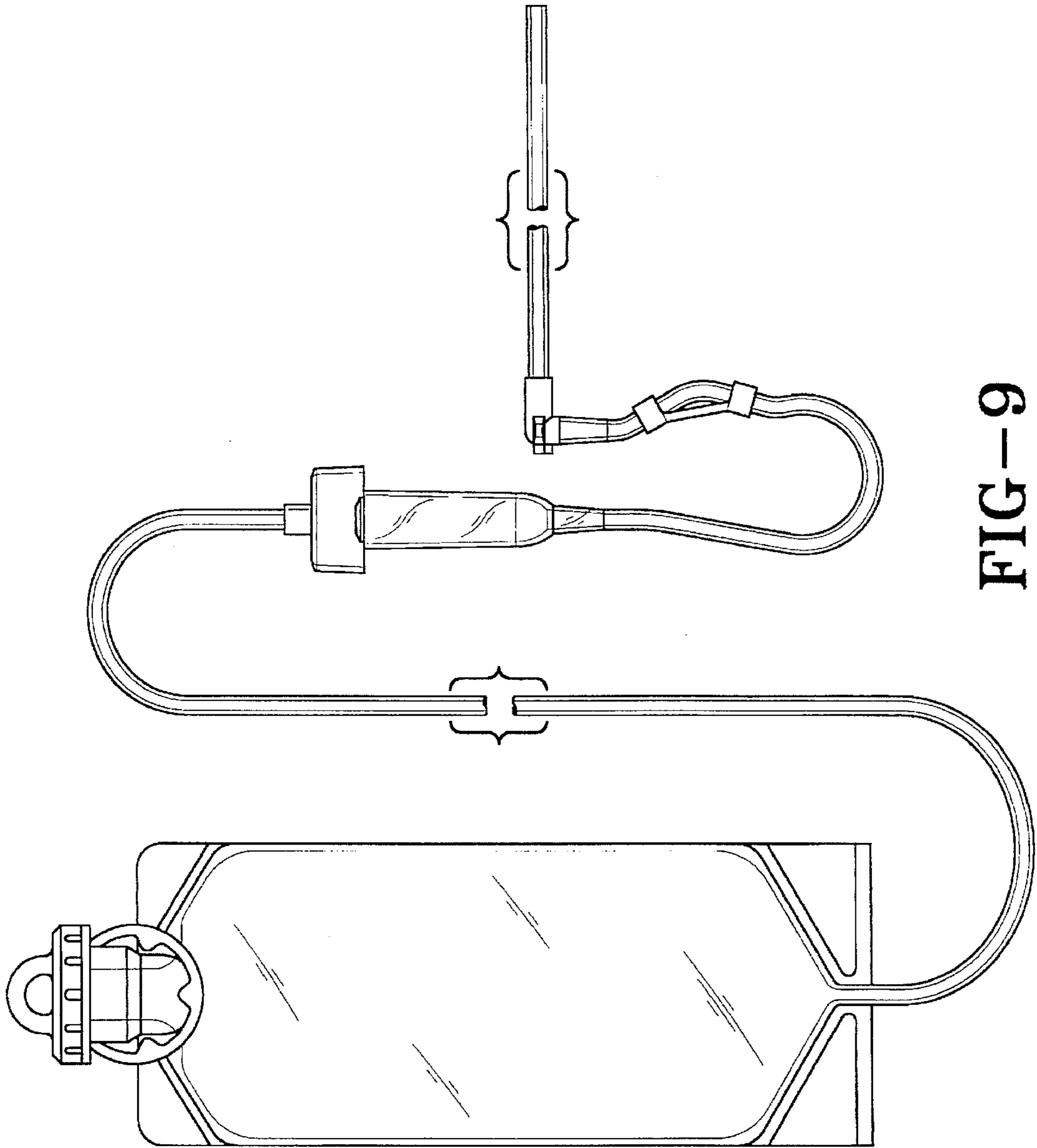


FIG-9

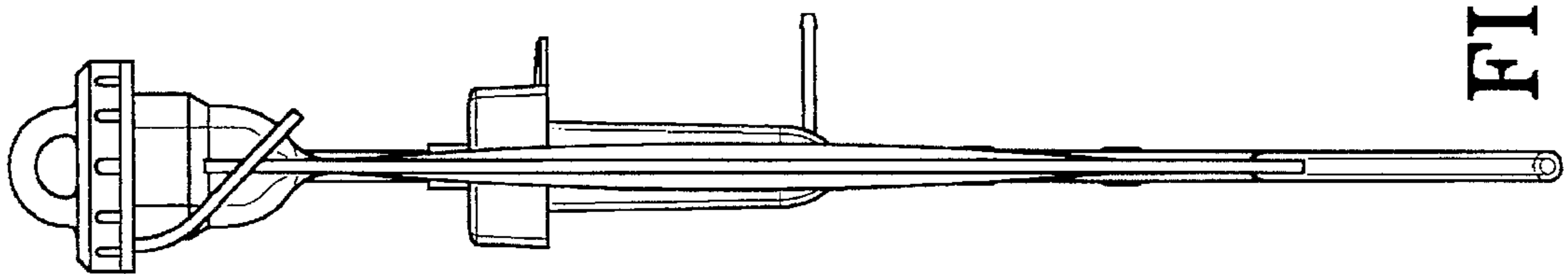


FIG-10

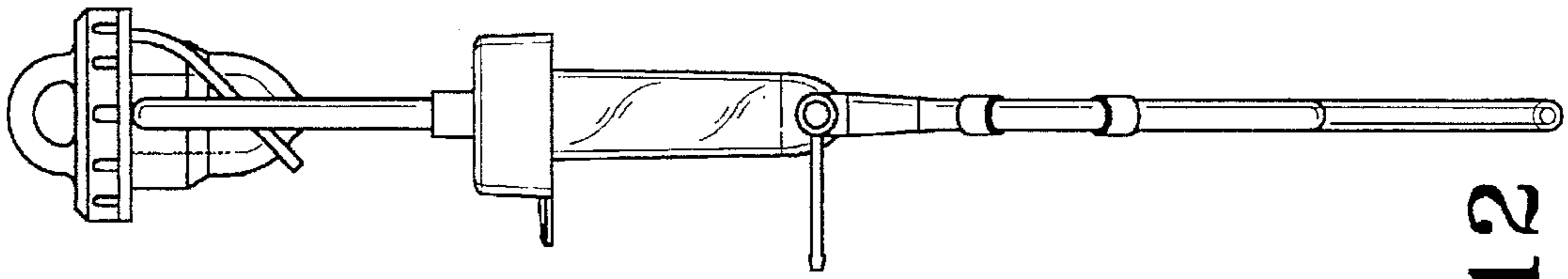


FIG-12

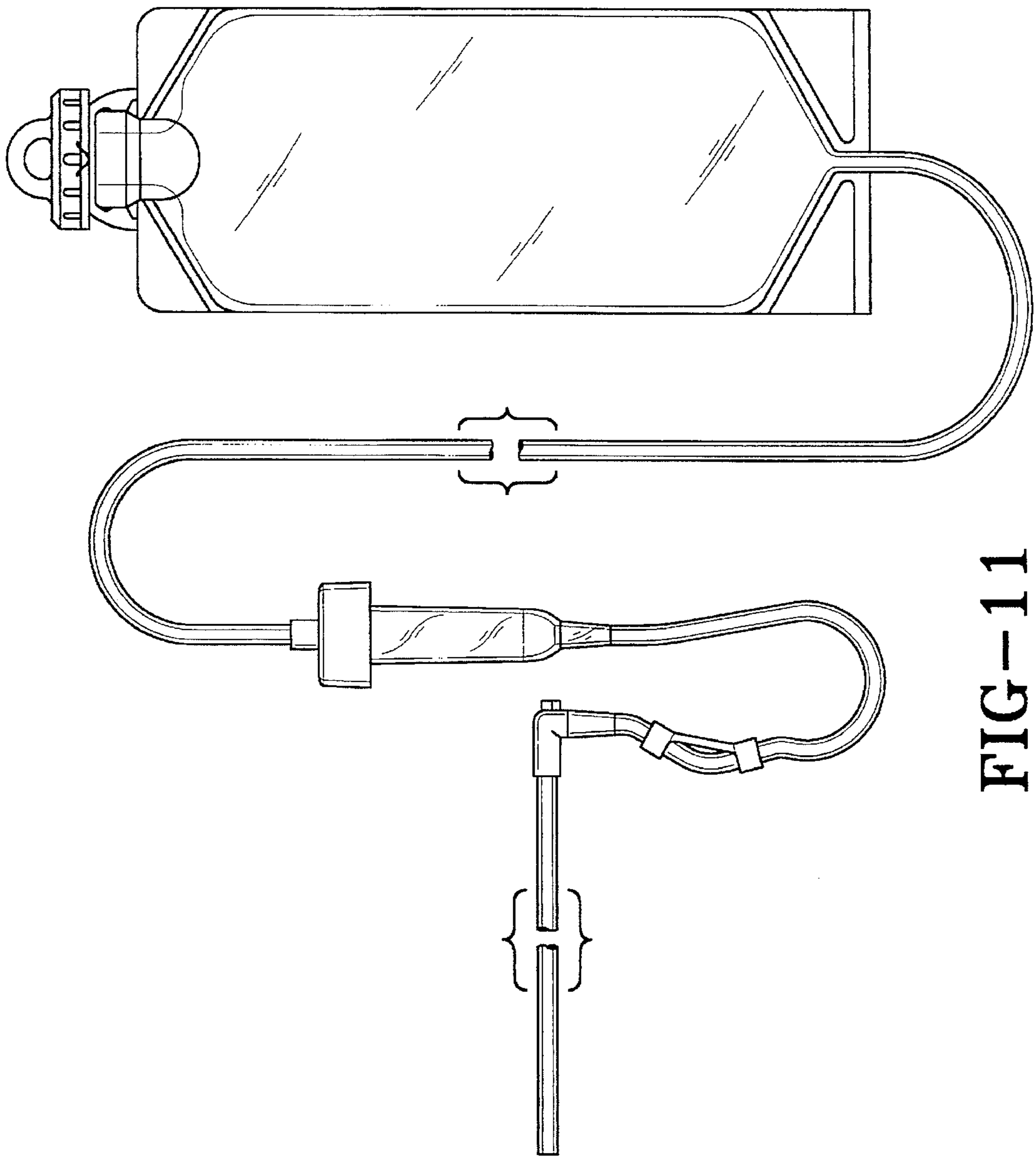


FIG-11



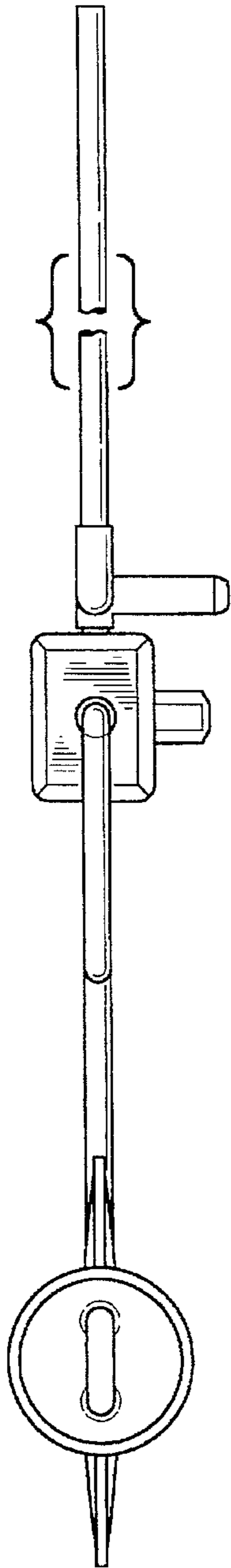


FIG-13

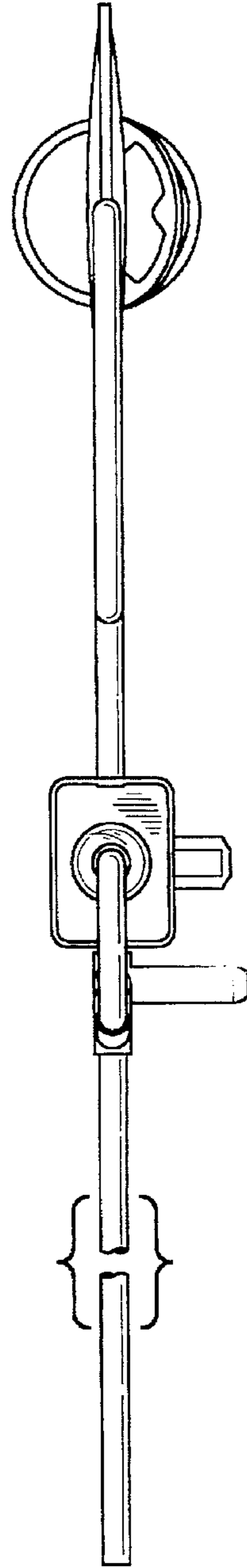


FIG-14