



US00D380542S

United States Patent [19] Mattarelli

[11] Patent Number: Des. 380,542

[45] Date of Patent: **Jul. 1, 1997

[54] FIREPLACE MANTEL

[76] Inventor: Anthony Mattarelli, 7207 E. McNichols Rd., Detroit, Mich. 48212

[**] Term: 14 Years

[21] Appl. No.: 28,985

[22] Filed: Sep. 27, 1994

[51] LOC (6) Cl. 23-03

[52] U.S. Cl. D23/404

[58] Field of Search D23/343-345, D23/350, 403-404; 52/36.3, 211, 218; 126/500

[56] References Cited

U.S. PATENT DOCUMENTS

| | | | |
|------------|---------|--------------------|-----------|
| D. 83,065 | 1/1931 | Simons et al. | D23/343 X |
| D. 108,149 | 1/1938 | Baum | D23/404 |
| D. 147,366 | 8/1947 | Grossniklaus | D23/404 |
| D. 305,931 | 2/1990 | MacAleese | D23/404 |
| D. 306,204 | 2/1990 | MacAleese | D23/404 |
| D. 311,574 | 10/1990 | Syme et al. | D23/345 |
| 625,104 | 5/1899 | Graves | 52/36.3 |
| 3,271,914 | 9/1966 | Boyett . | |
| 4,254,596 | 3/1981 | Wright et al. . | |
| 4,945,692 | 8/1990 | Gallier . | |
| 5,119,603 | 6/1992 | Jones . | |

Primary Examiner—A. Hugo Word

Assistant Examiner—Lavone D. Tabor
Attorney, Agent, or Firm—Gifford, Krass, Groh, Sprinkle, Pamore, Anderson & Citkowski, P.C.

[57] CLAIM

The ornamental design for a fireplace mantel, as shown and described.

DESCRIPTION

FIG. 1 is a top view of the fireplace mantel of the present invention;

FIG. 2 is a frontal view of the fireplace mantel of the present invention;

FIG. 3 is a left side view of the fireplace mantel of the present invention, the right side being a mirror image;

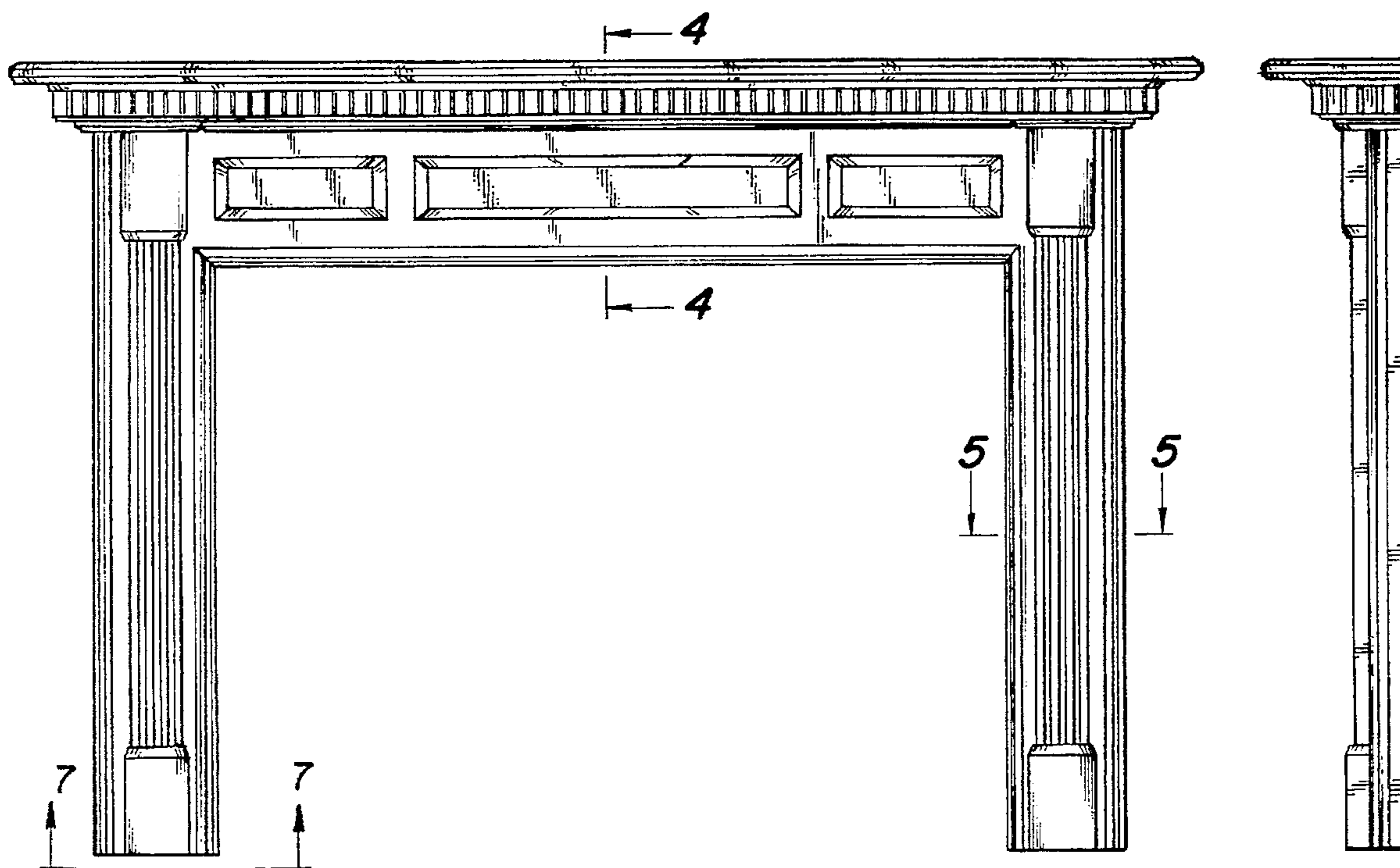
FIG. 4 is an enlarged, fragmentary sectional view taken along line 4—4 of FIG. 2;

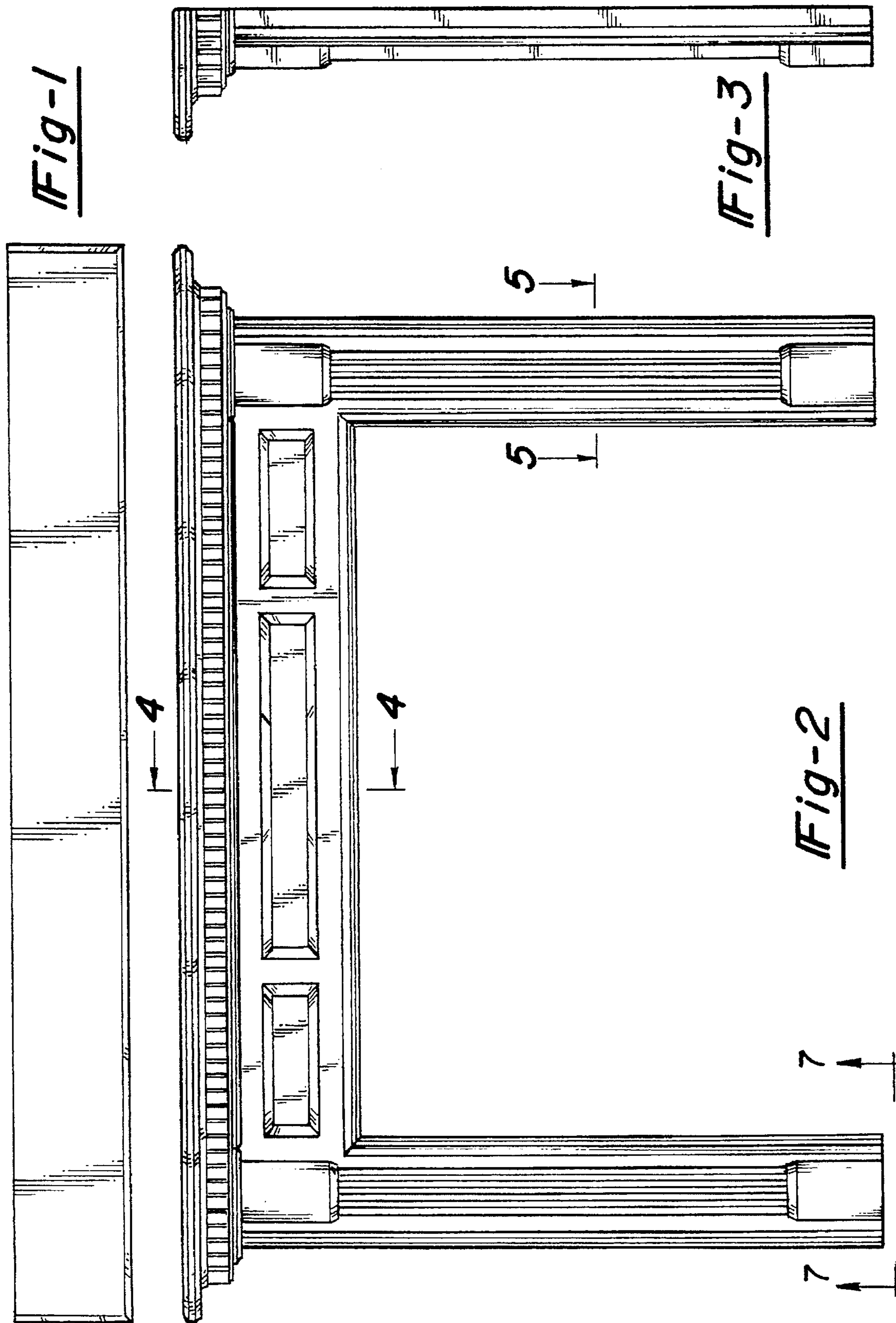
FIG. 5 is an enlarged sectional view of the left leg taken along line 5—5 of FIG. 2 with a corresponding view of right leg being a mirror image thereof;

FIG. 6 is an enlarged, fragmentary view of the left portion of the rear of the invention with the right portion of the rear being a mirror image thereof; and,

FIG. 7 is an enlarged, fragmentary view taken from the direction of line 7—7 of FIG. 2 with a view from the bottom of the opposite leg being a mirror image thereof.

1 Claim, 3 Drawing Sheets





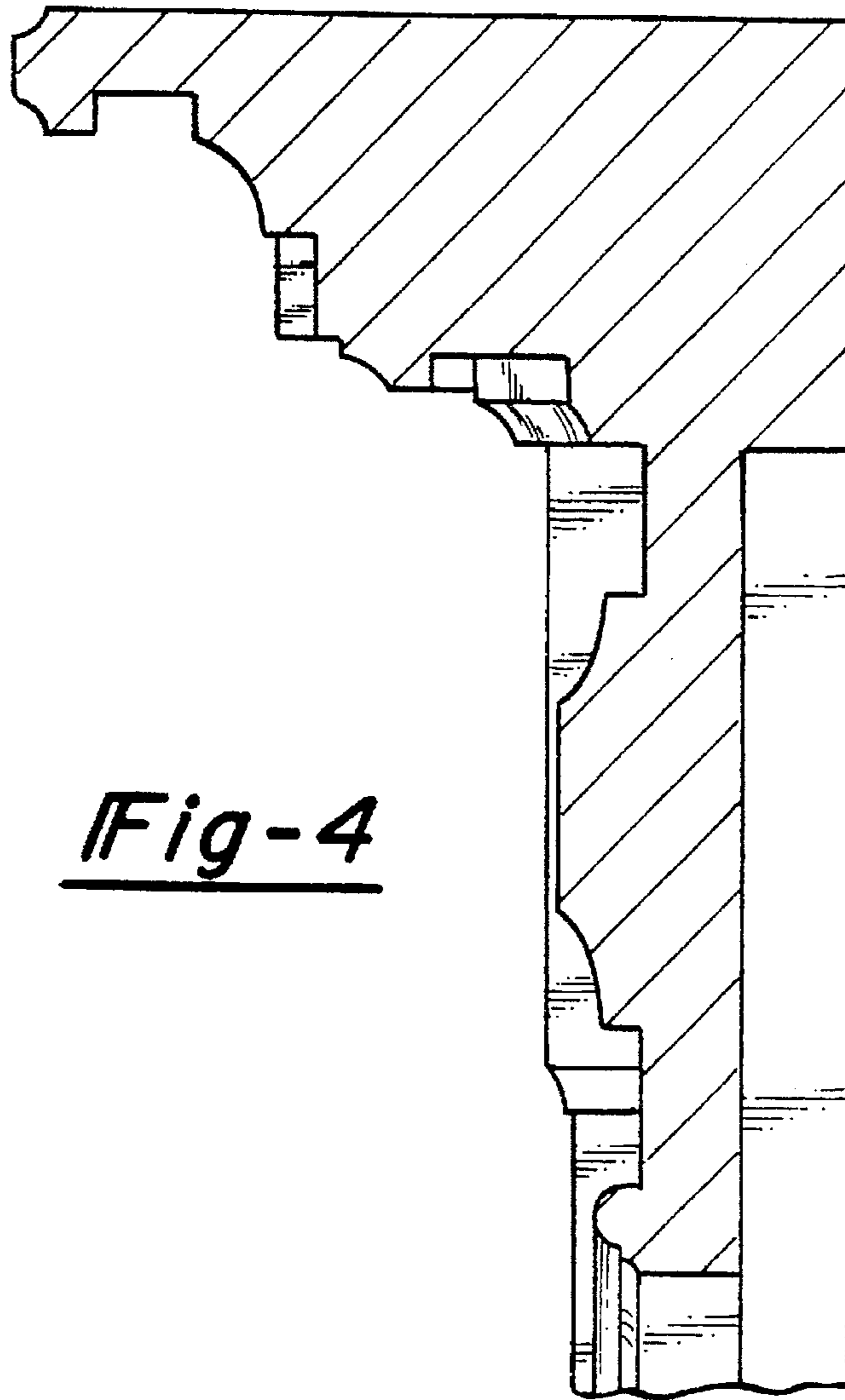


Fig-4

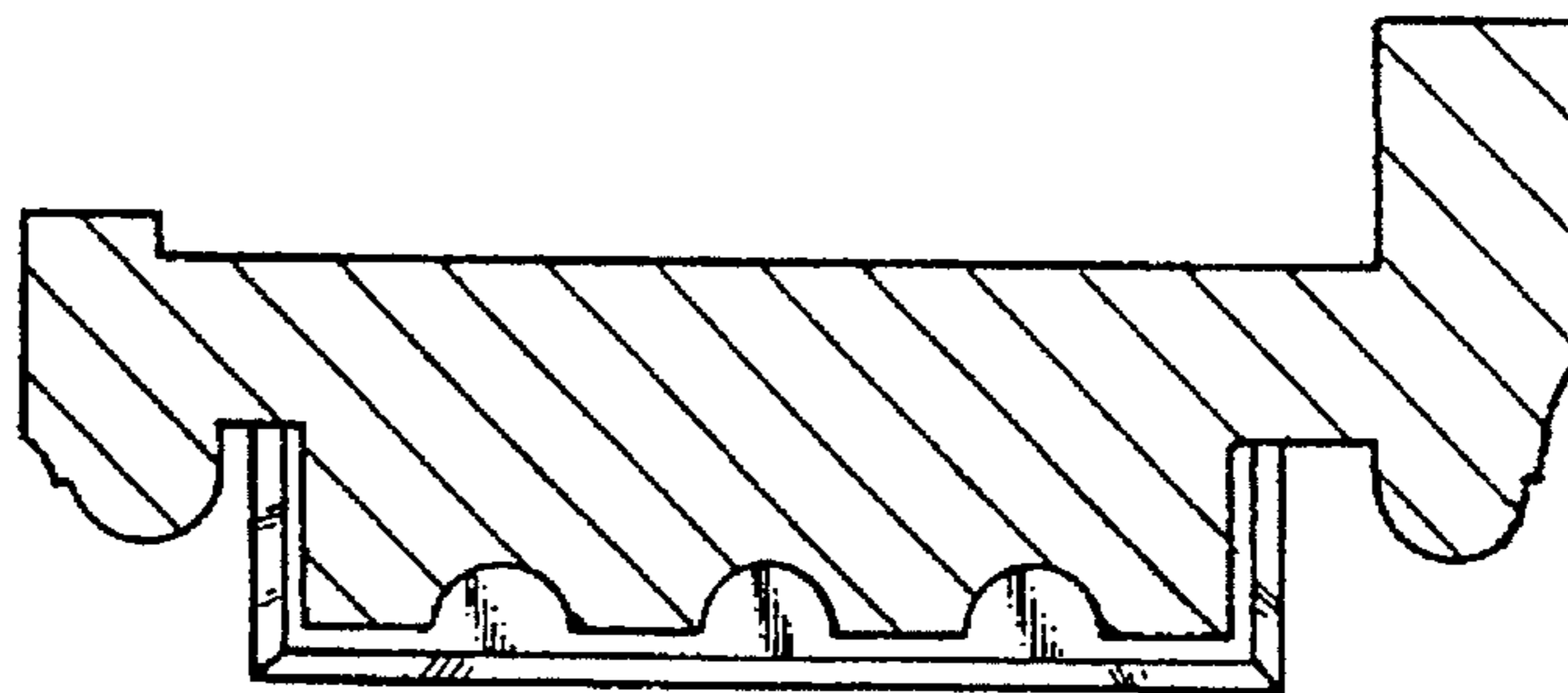


Fig-5

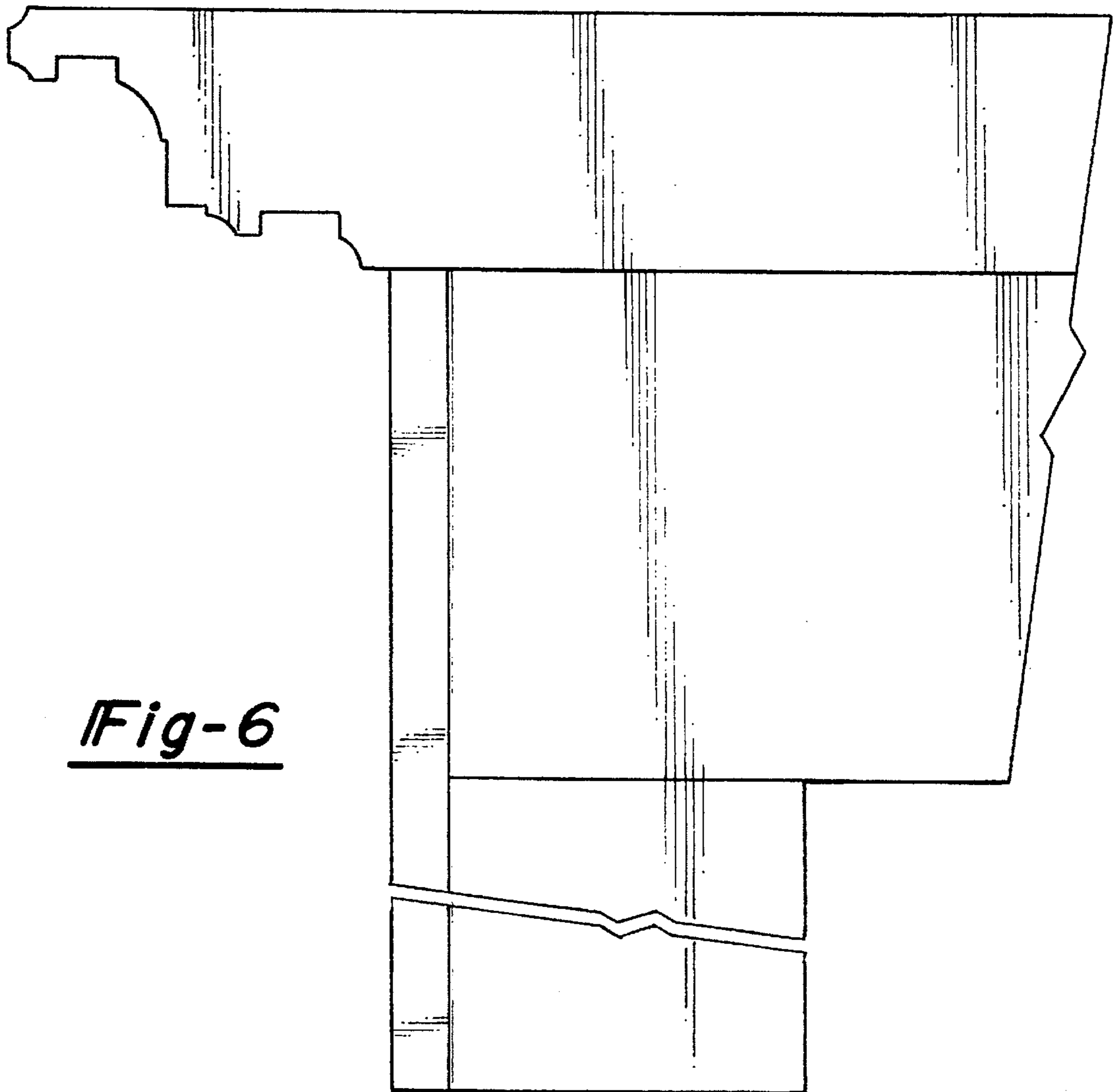


Fig-6

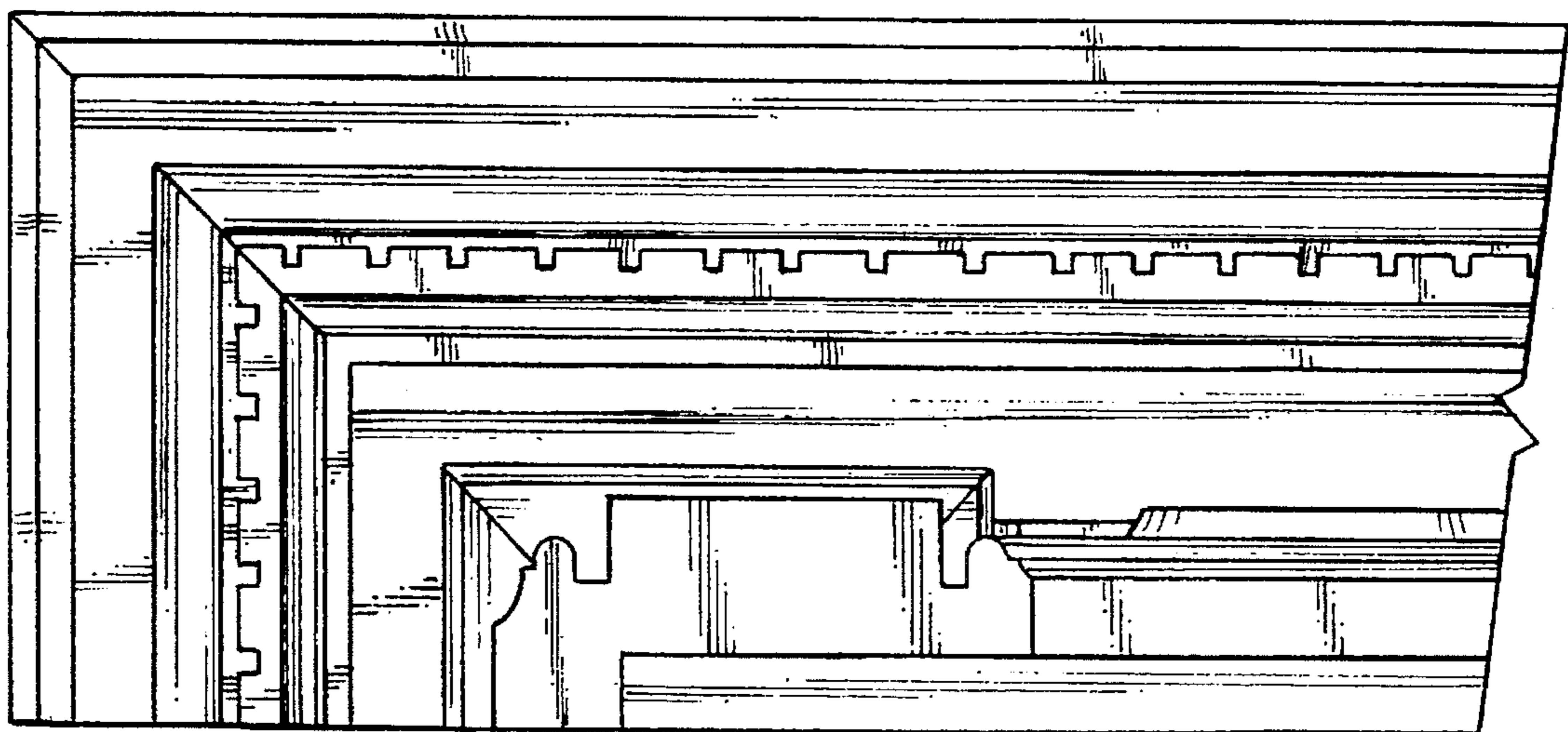


Fig-7