



US00D380541S

United States Patent [19]
Furman

[11] **Patent Number:** **Des. 380,541**
[45] **Date of Patent:** ****Jul. 1, 1997**

[54] **AIR BLOWER FOR MIG WELDER**

5,257,904 11/1993 Sullivan 415/214.1

[76] **Inventor:** **James E. Furman**, P.O. Box 1756,
Sumass, Wash. 98295

Primary Examiner—Antoine Duval Davis
Attorney, Agent, or Firm—Harold H. Dutton, Jr.; W. Charles
L. Jamison; Diane F. Liebman

[**] **Term:** **14 Years**

[57] **CLAIM**

[21] **Appl. No.:** **52,068**

The ornamental design for an air blower for mig welder, as
shown.

[22] **Filed:** **Mar. 22, 1996**

DESCRIPTION

[51] **LOC (6) Cl.** **23-04**

[52] **U.S. Cl.** **D23/383**

[58] **Field of Search** D23/383; 55/276,
55/385.2, 438; 165/122; 219/137.62; 285/368;
392/379, 381, 365-369, 373, 374, 347,
383-385, 404-407, 409, 473, 476; 415/182.1,
206, 213.1, 214.1, 215.1, 219.1, 220

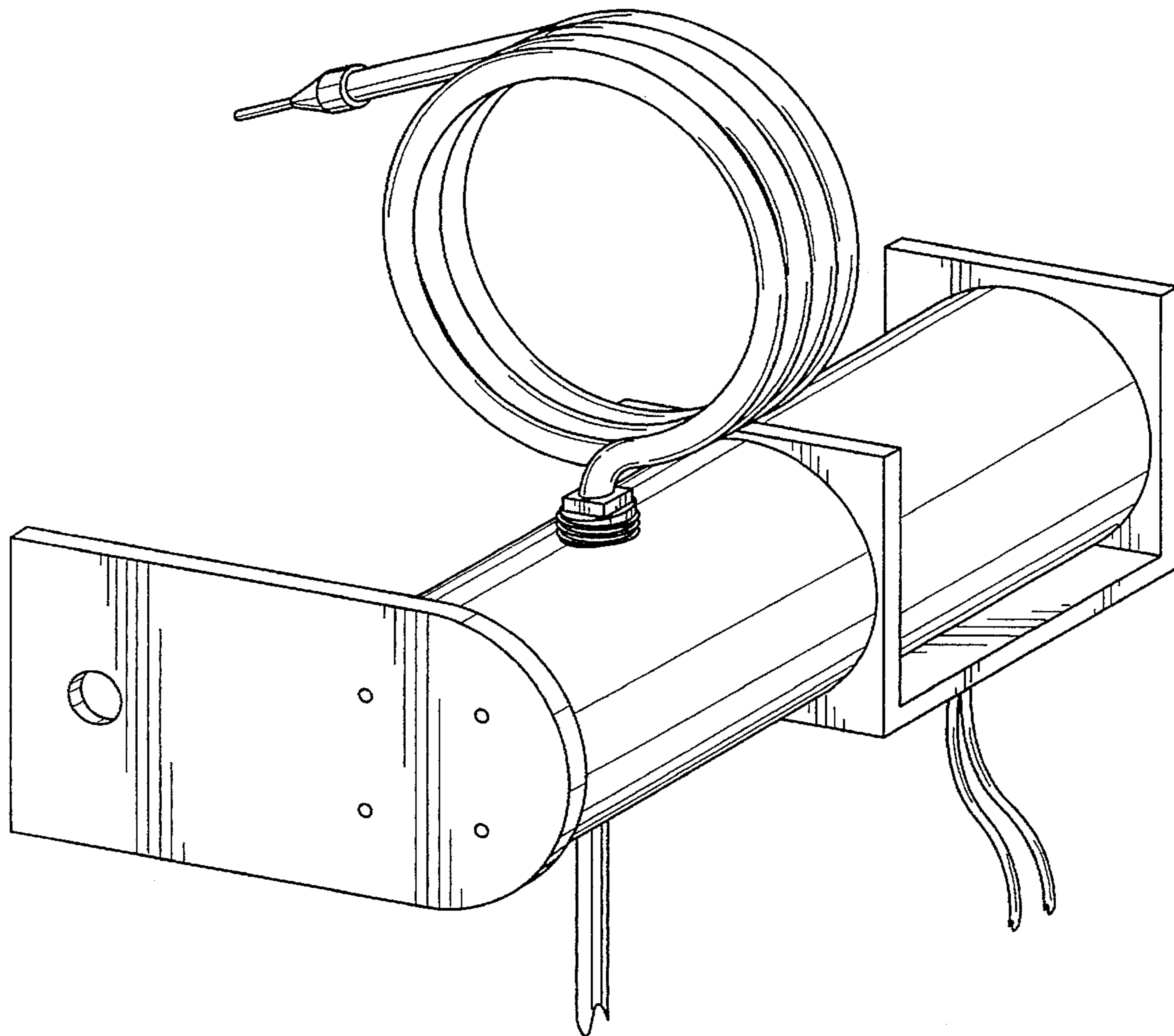
FIG. 1 is a perspective view of an air blower for mig welder
showing my new design;
FIG. 2 is a left side view thereof;
FIG. 3 is a right side view thereof;
FIG. 4 is a front view thereof;
FIG. 5 is a rear view thereof;
FIG. 6 is a top view thereof; and,
FIG. 7 is a bottom view thereof.

[56] **References Cited**

U.S. PATENT DOCUMENTS

3,627,442 12/1971 Brandt 415/206

1 Claim, 6 Drawing Sheets



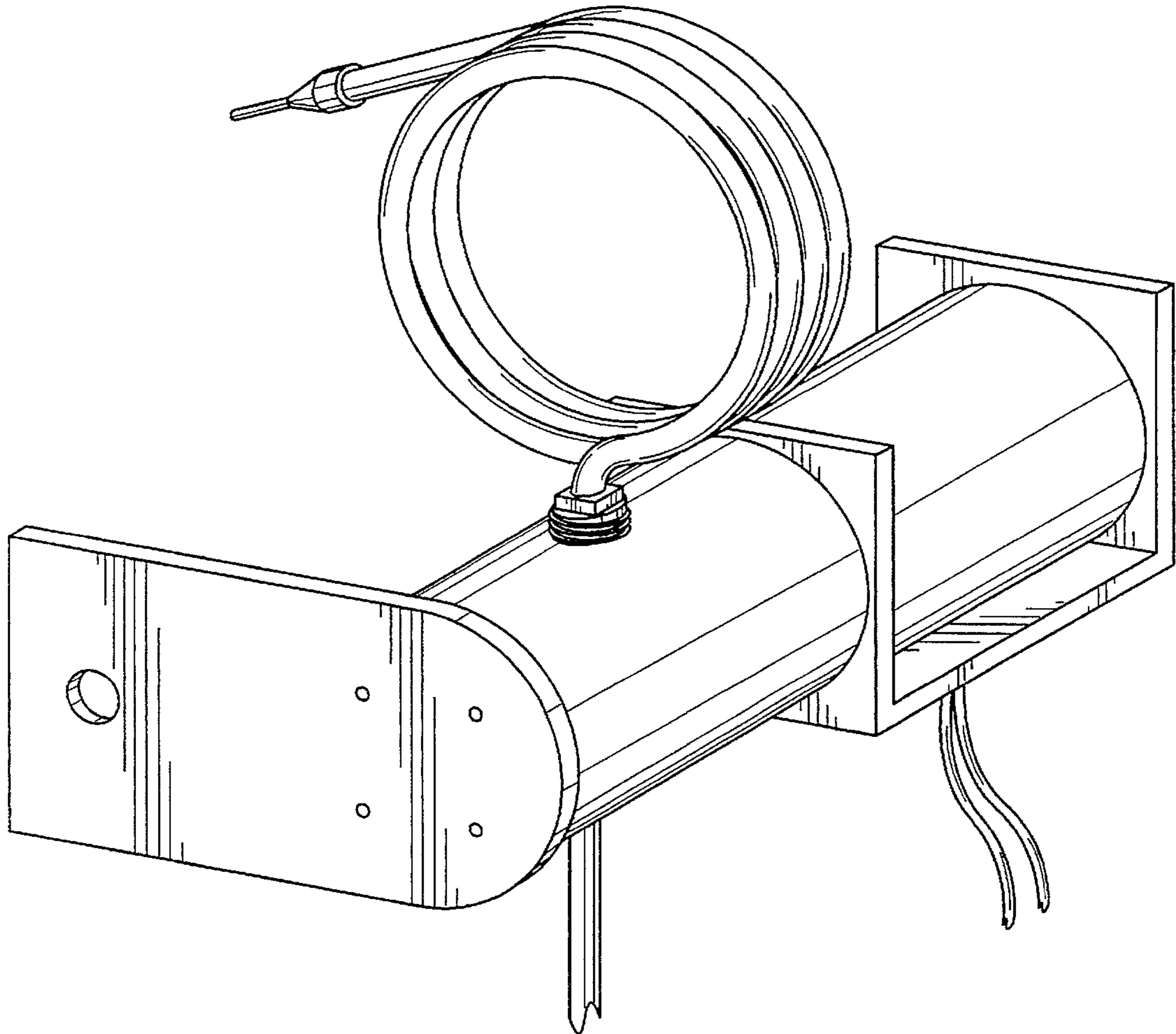


FIG. 1

FIG. 2

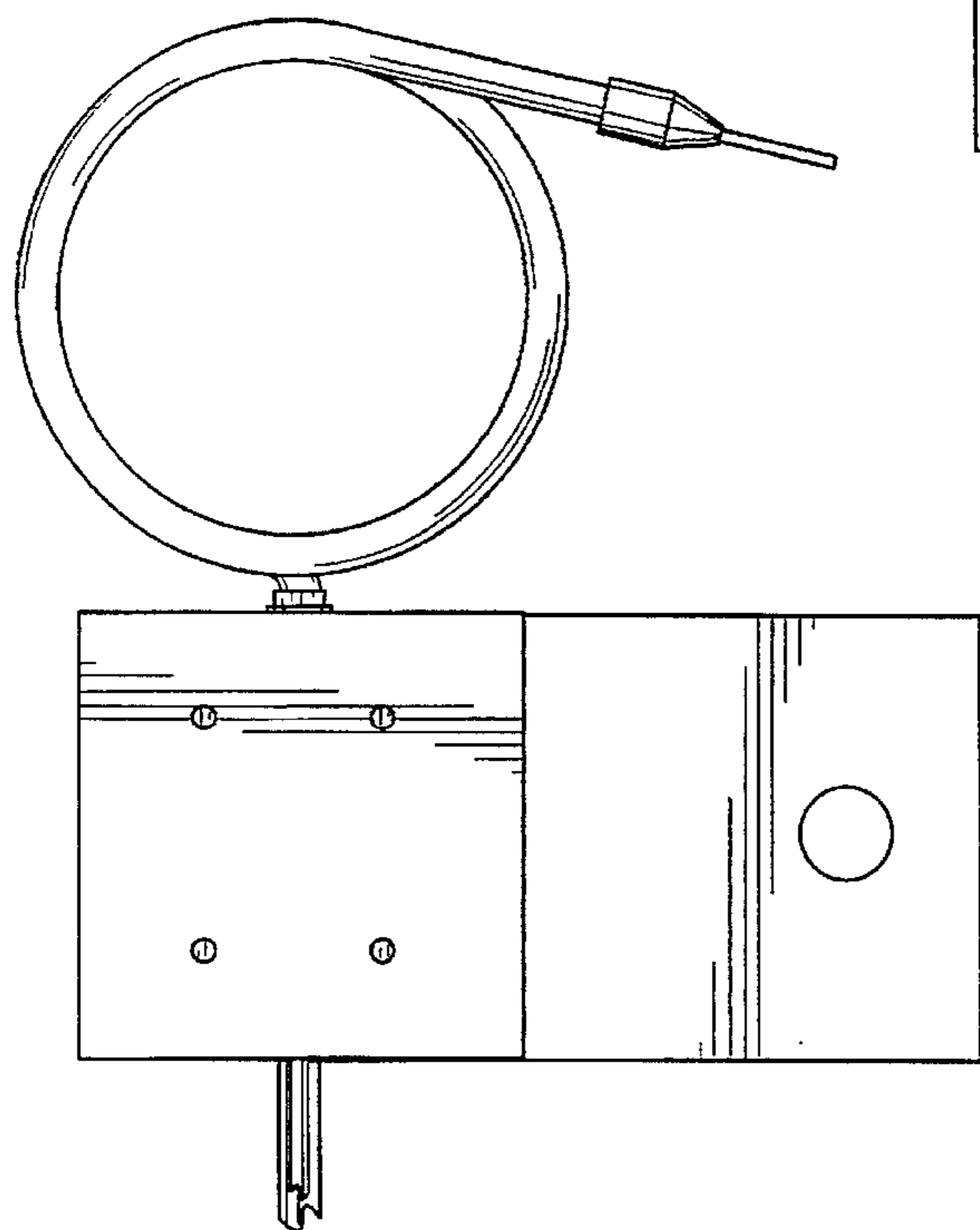
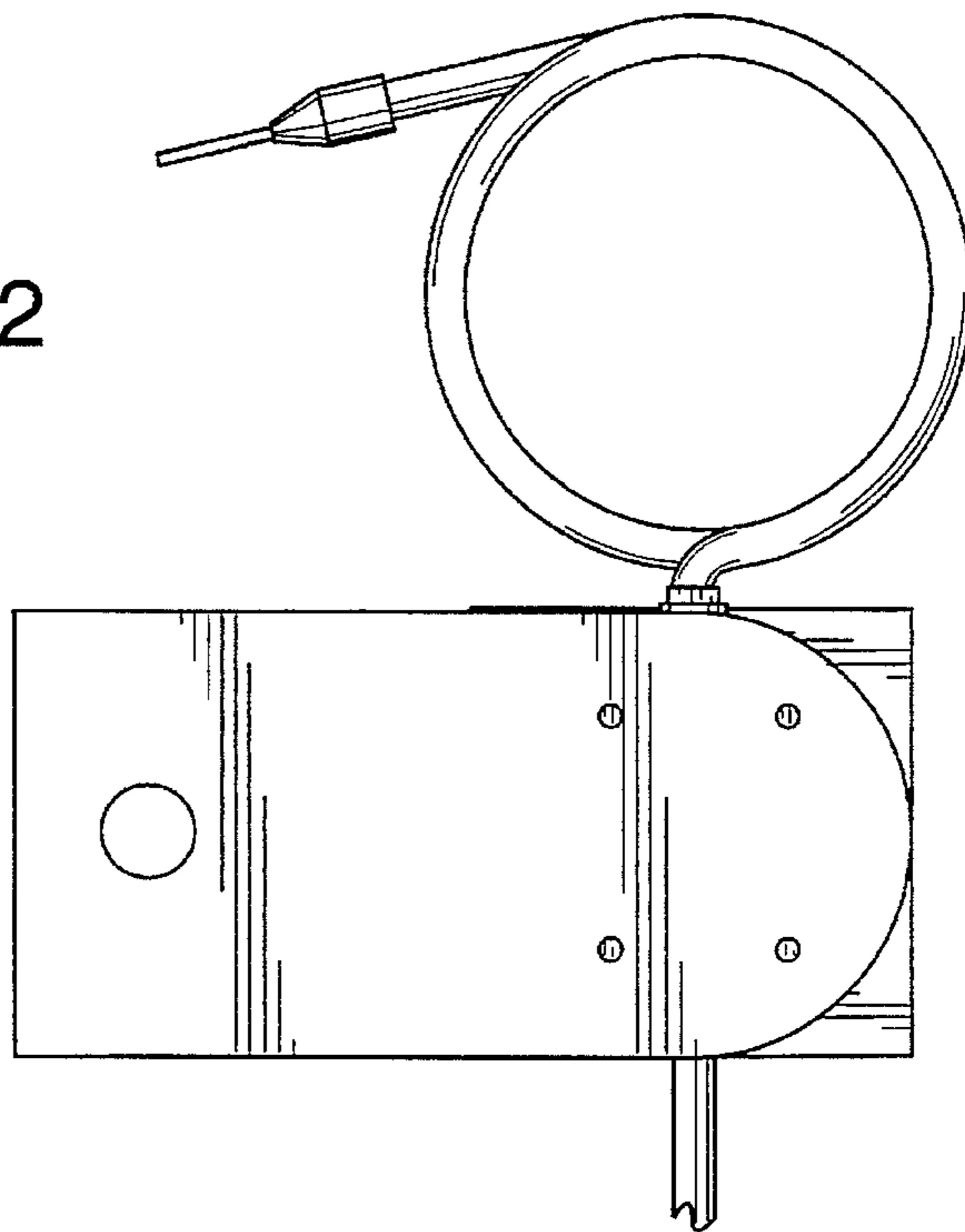


FIG. 3

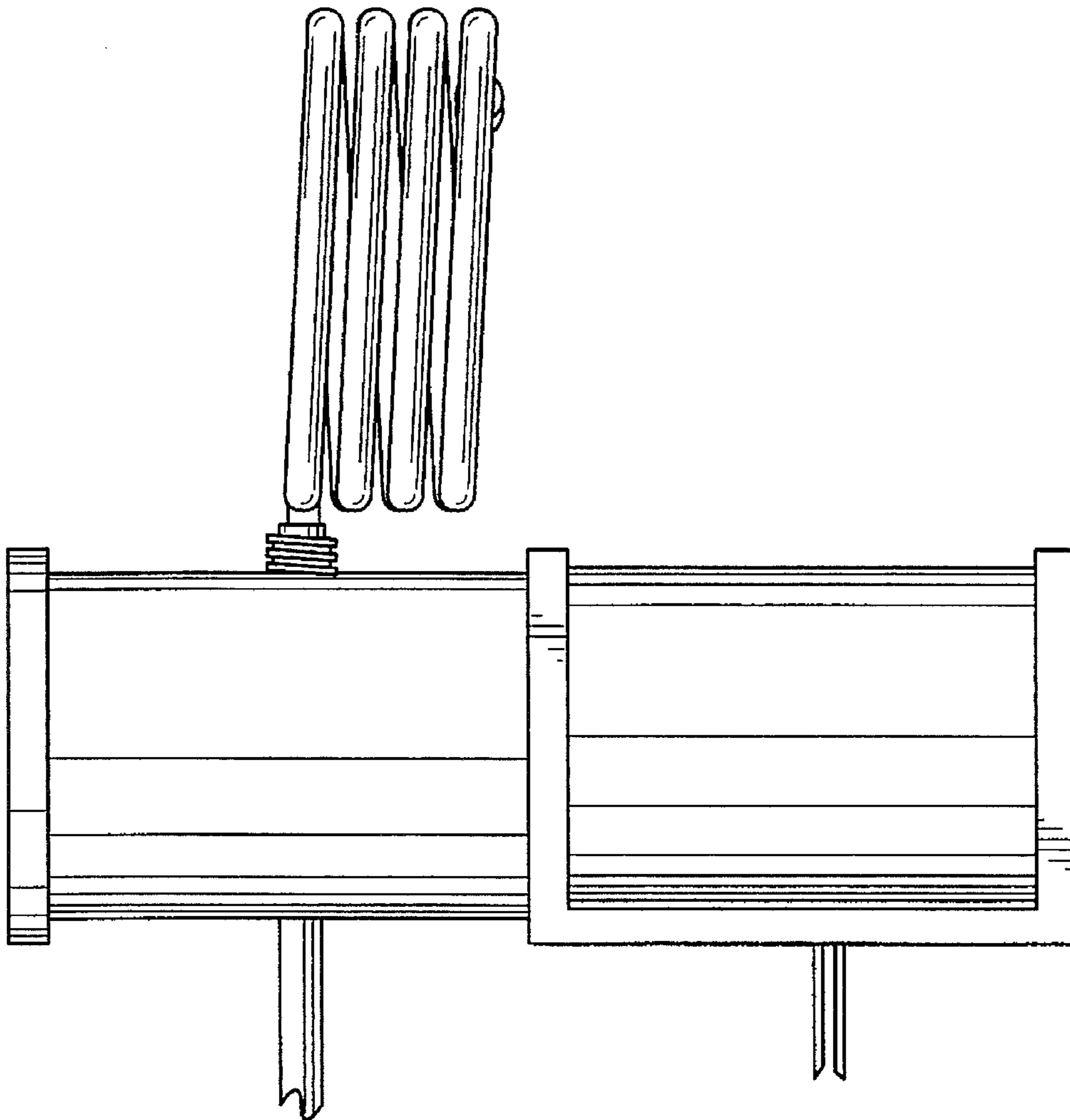


FIG. 4

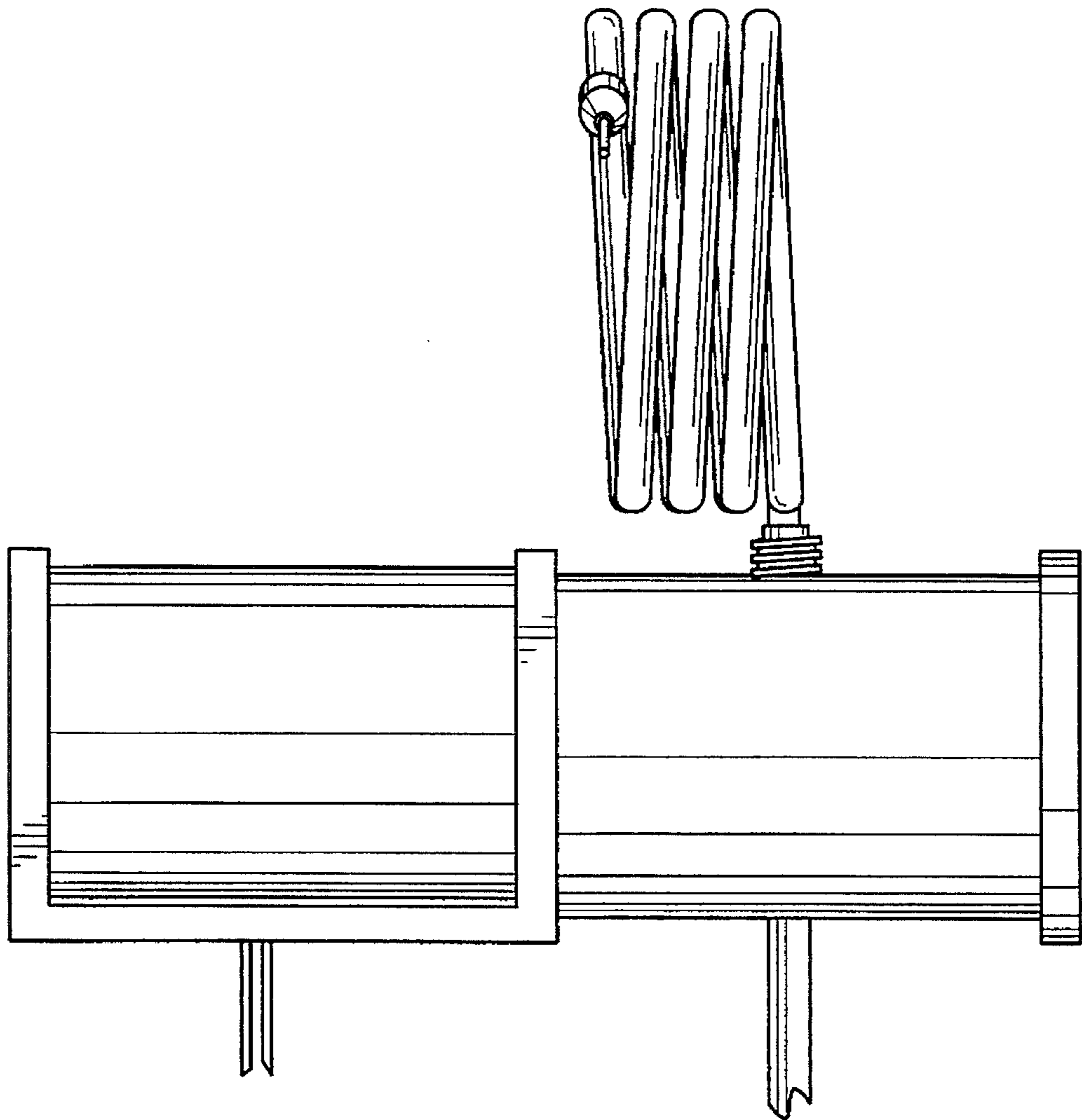


FIG. 5

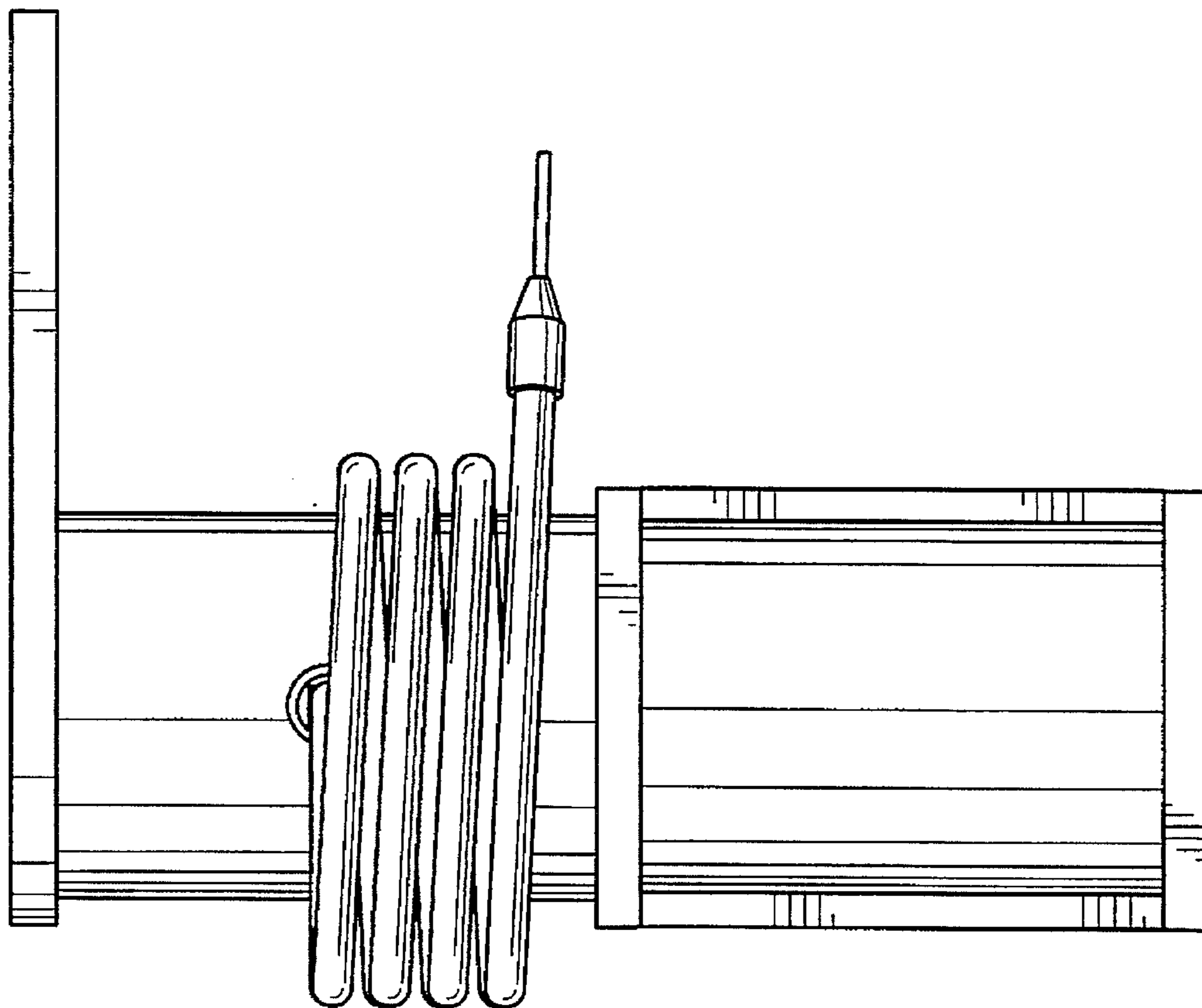


FIG. 6

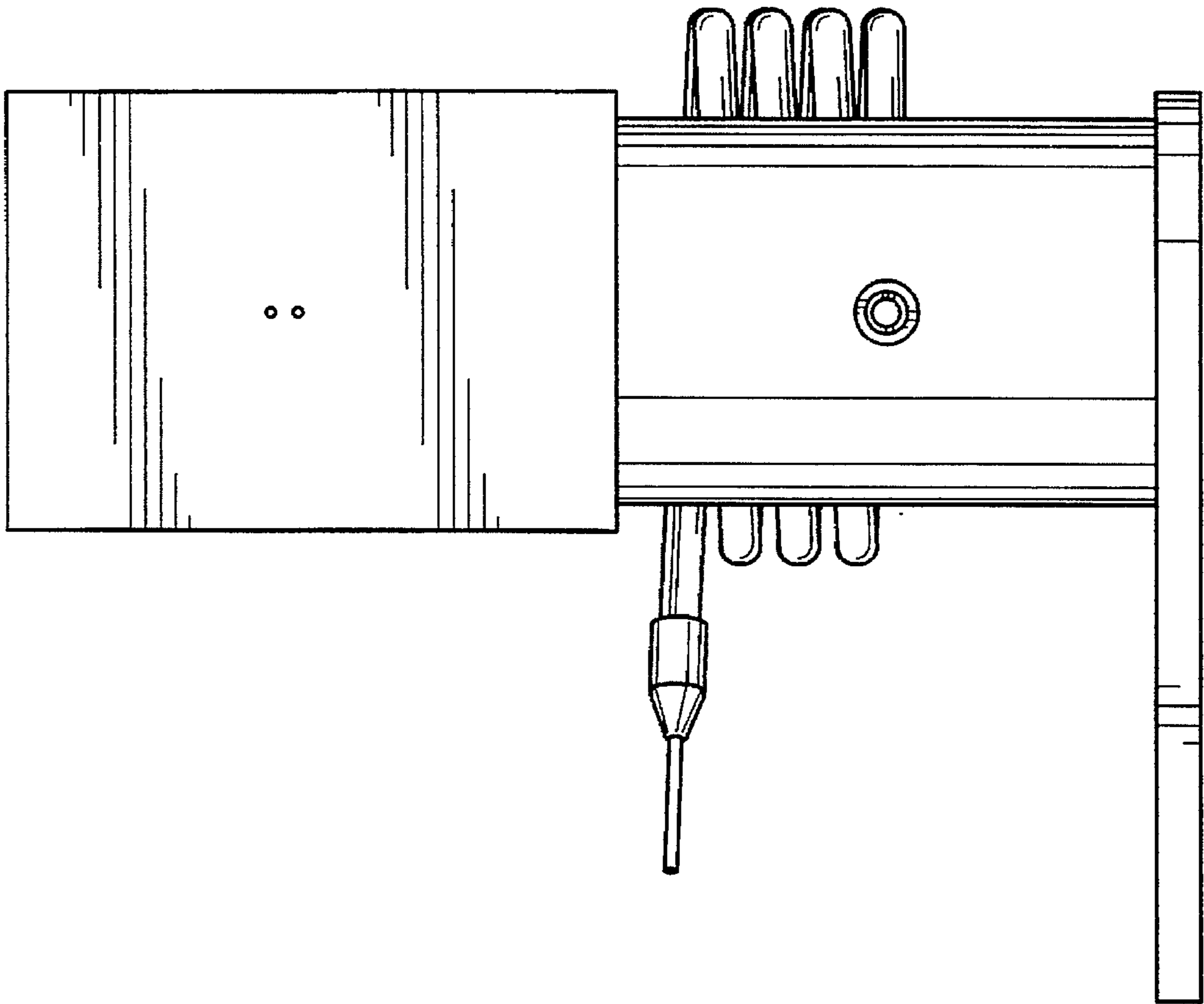


FIG. 7