



US00D380539S

United States Patent [19]

[11] Patent Number: **Des. 380,539**

Liu

[45] Date of Patent: ****Jul. 1, 1997**

[54] **COMBINED CEILING FAN AND LIGHT**

D. 357,978	5/1995	Young	D23/377
D. 363,345	10/1995	Wang	D23/377
1,086,274	2/1914	Cardosa	416/238

[75] Inventor: **Chentze Liu, Taichung Hsien, Taiwan**

[73] Assignee: **Sheng Yuan Electric Co., Ltd., Taichung Hsien, Taiwan**

Primary Examiner—Lisa Lichtenstein
Attorney, Agent, or Firm—Morton J. Rosenberg; David I. Klein

[**] Term: **14 Years**

[57] CLAIM

[21] Appl. No.: **54,391**

The ornamental design for a combined ceiling fan and light, as shown.

[22] Filed: **May 14, 1996**

[51] LOC (6) Cl. **23-04**

DESCRIPTION

[52] U.S. Cl. **D23/377; D23/379; D23/385; D23/413**

FIG. 1 is a front-right-bottom perspective view of a combined ceiling fan and light, showing my new design;
FIG. 2 is a front elevational view thereof;
FIG. 3 is a rear elevational view thereof;
FIG. 4 is a left elevational view thereof;
FIG. 5 is a right elevational view thereof;
FIG. 6 is a top plan view thereof; and,
FIG. 7 is a bottom plan view thereof.

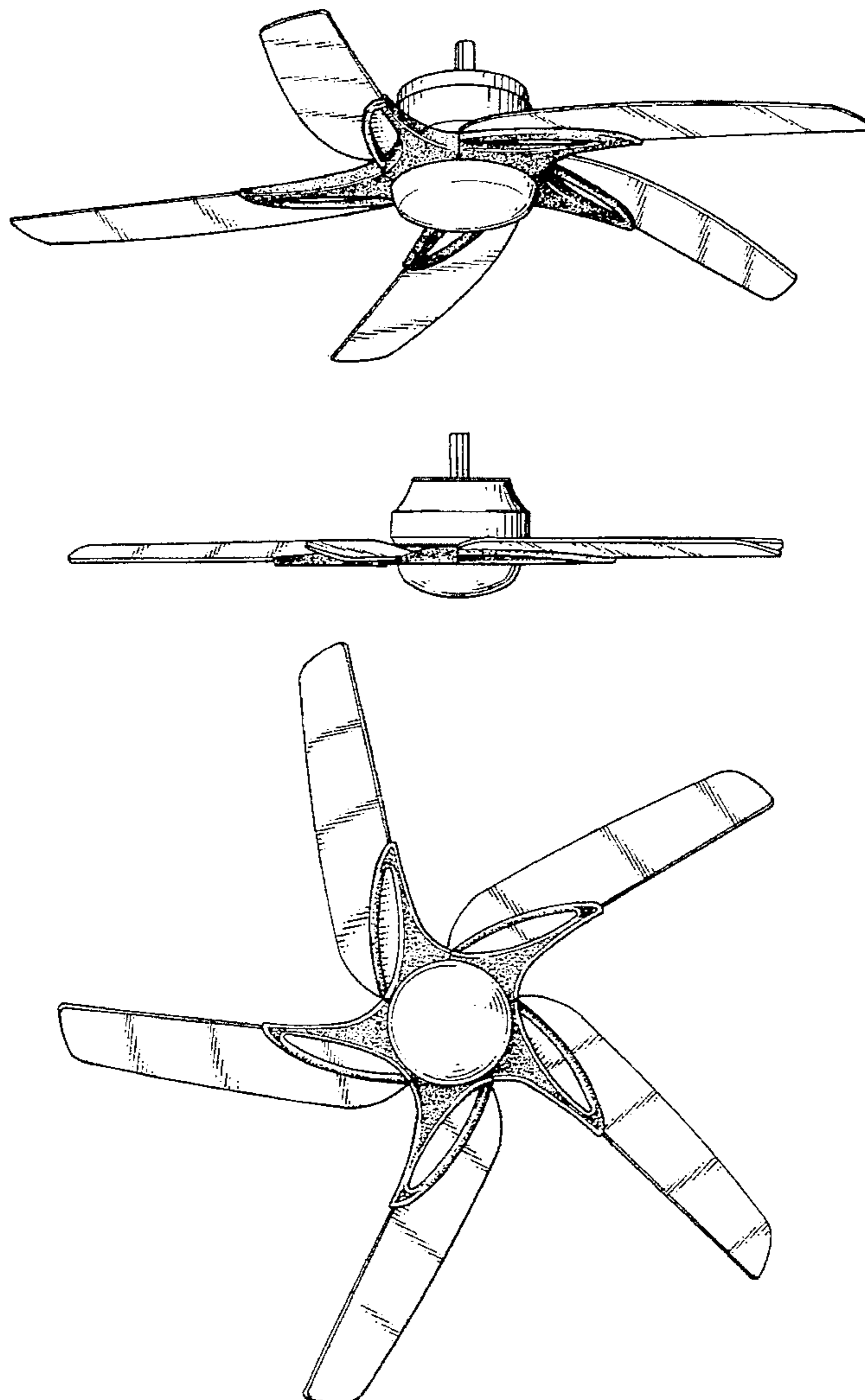
[58] **Field of Search** D23/377, 379, D23/385, 411, 413; 416/5, 202, 238; 392/364; 362/96; D26/72, 59, 51, 81-86; D12/214, 317, 327, 328

[56] References Cited

U.S. PATENT DOCUMENTS

D. 347,887 6/1994 Liu D23/365

1 Claim, 4 Drawing Sheets



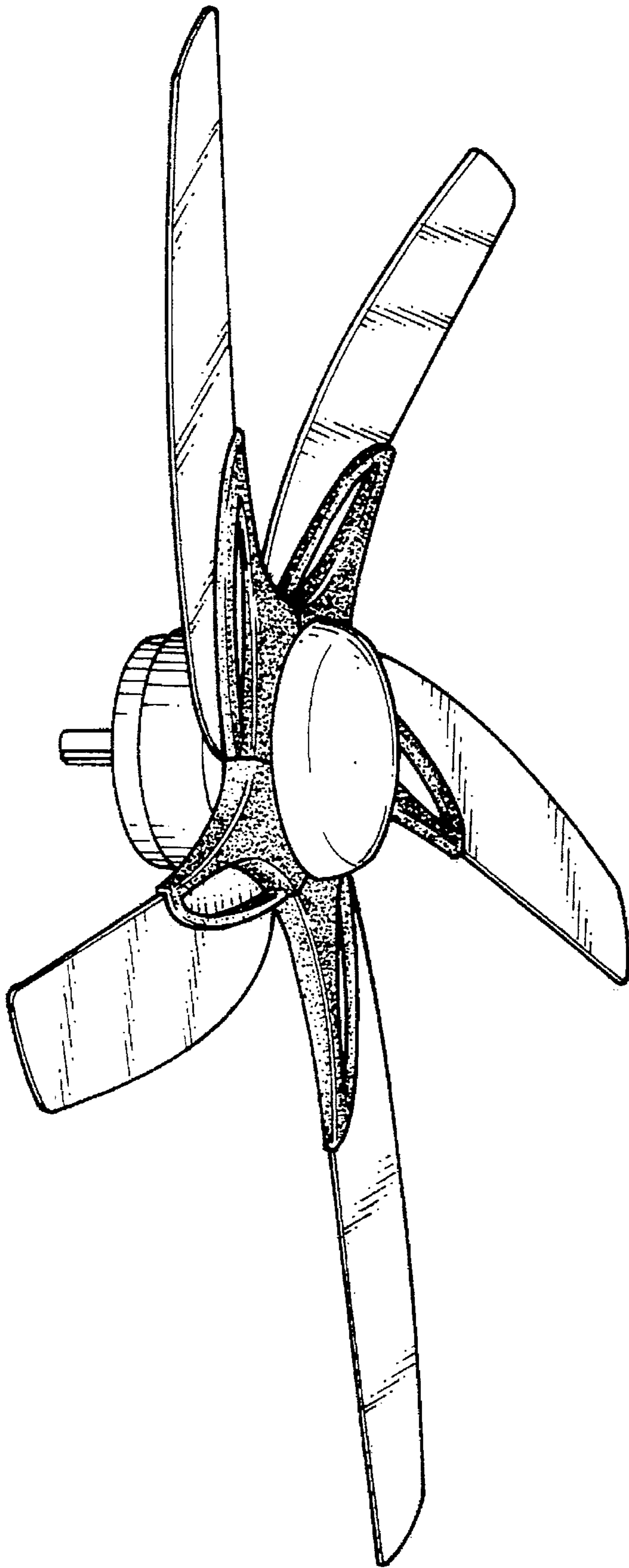


FIG. 1

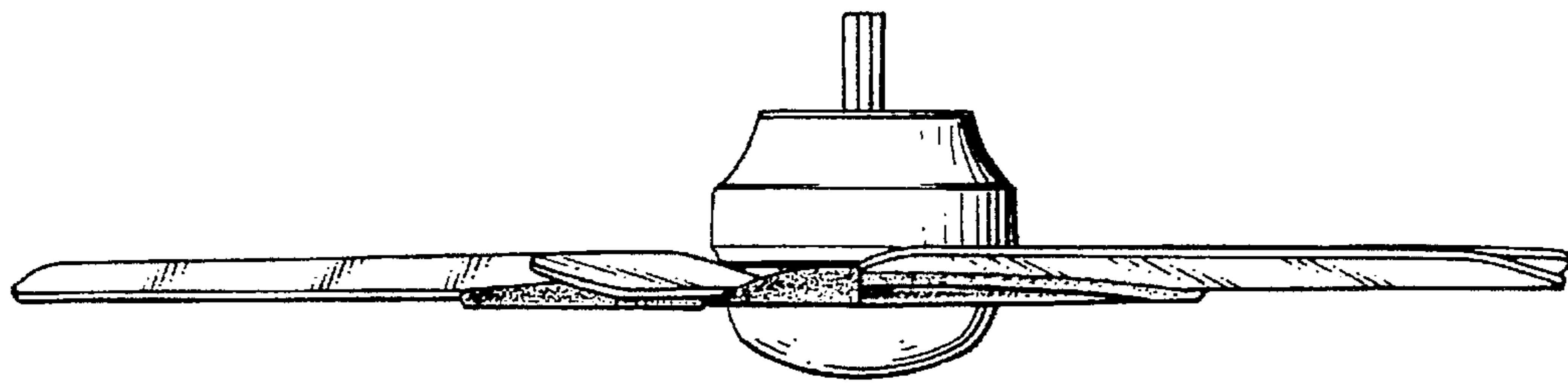


FIG. 2

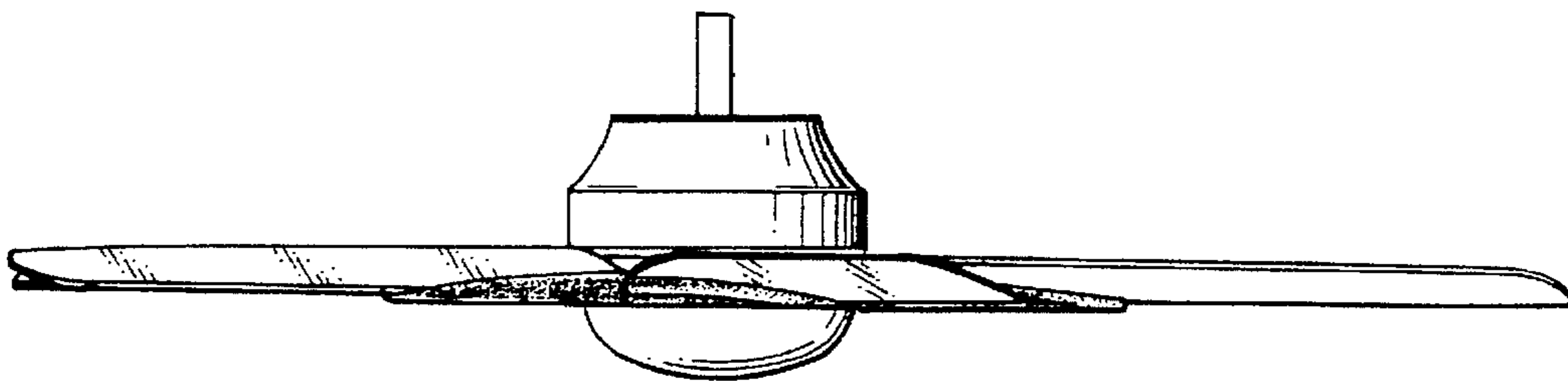


FIG. 3

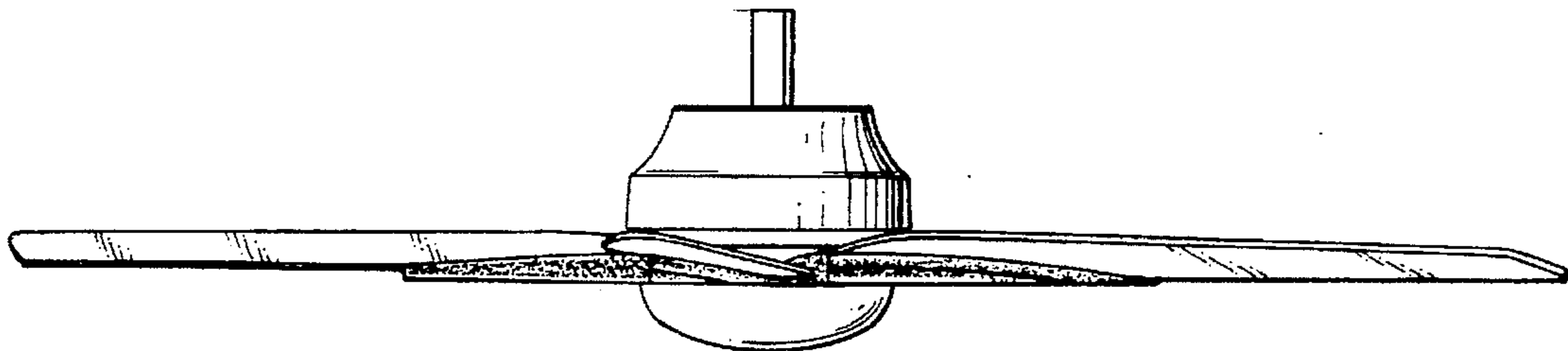


FIG. 4

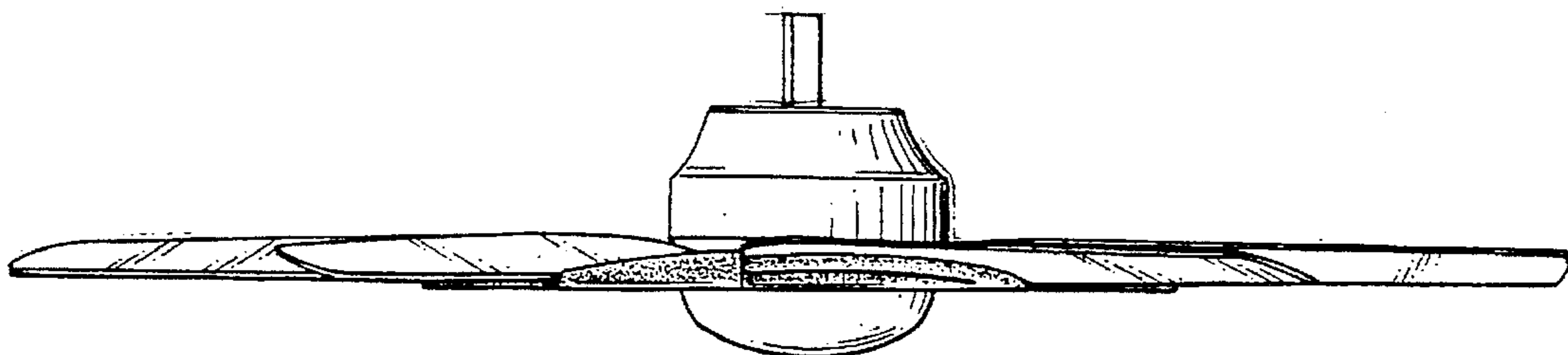


FIG. 5

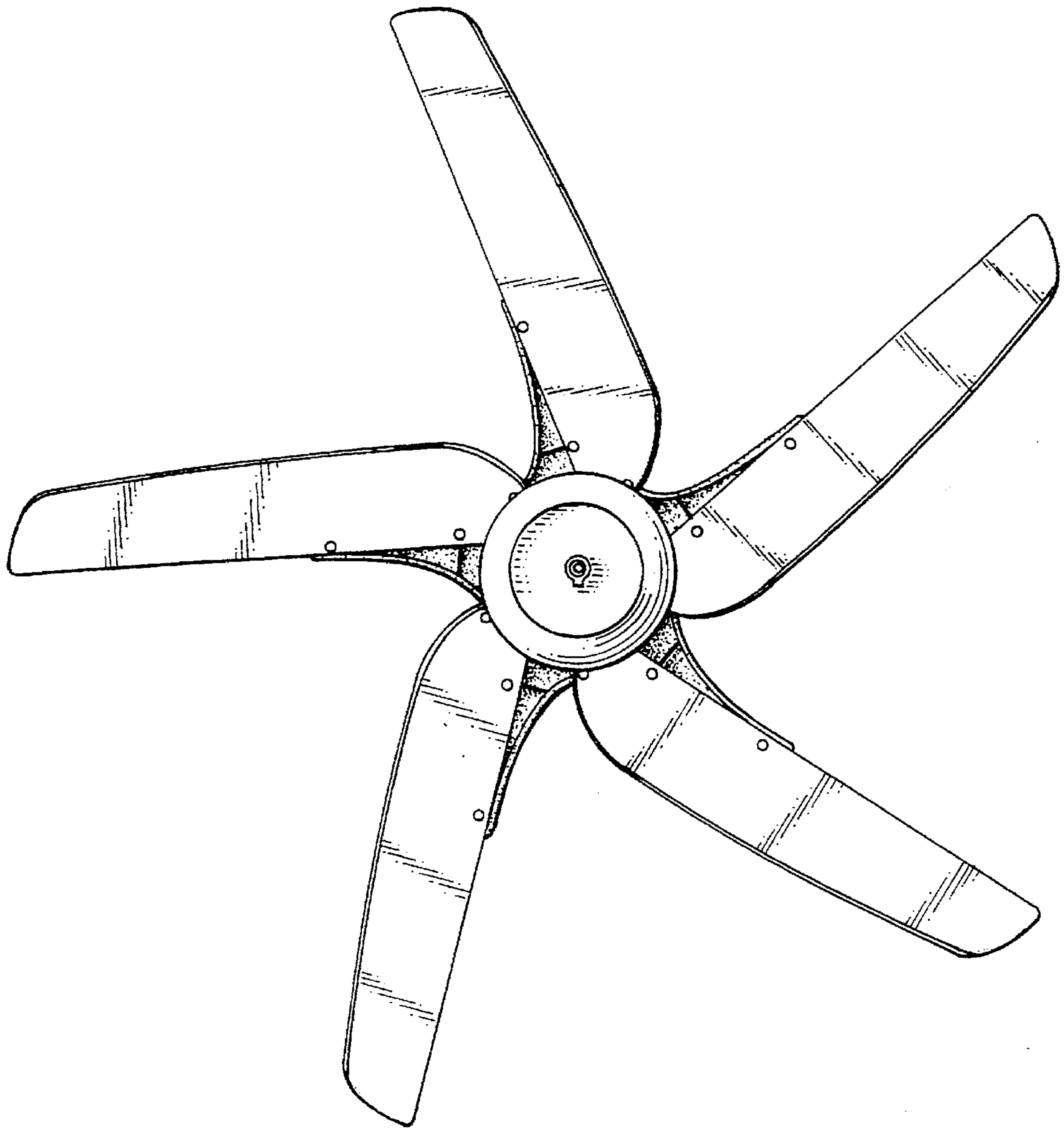


FIG. 6

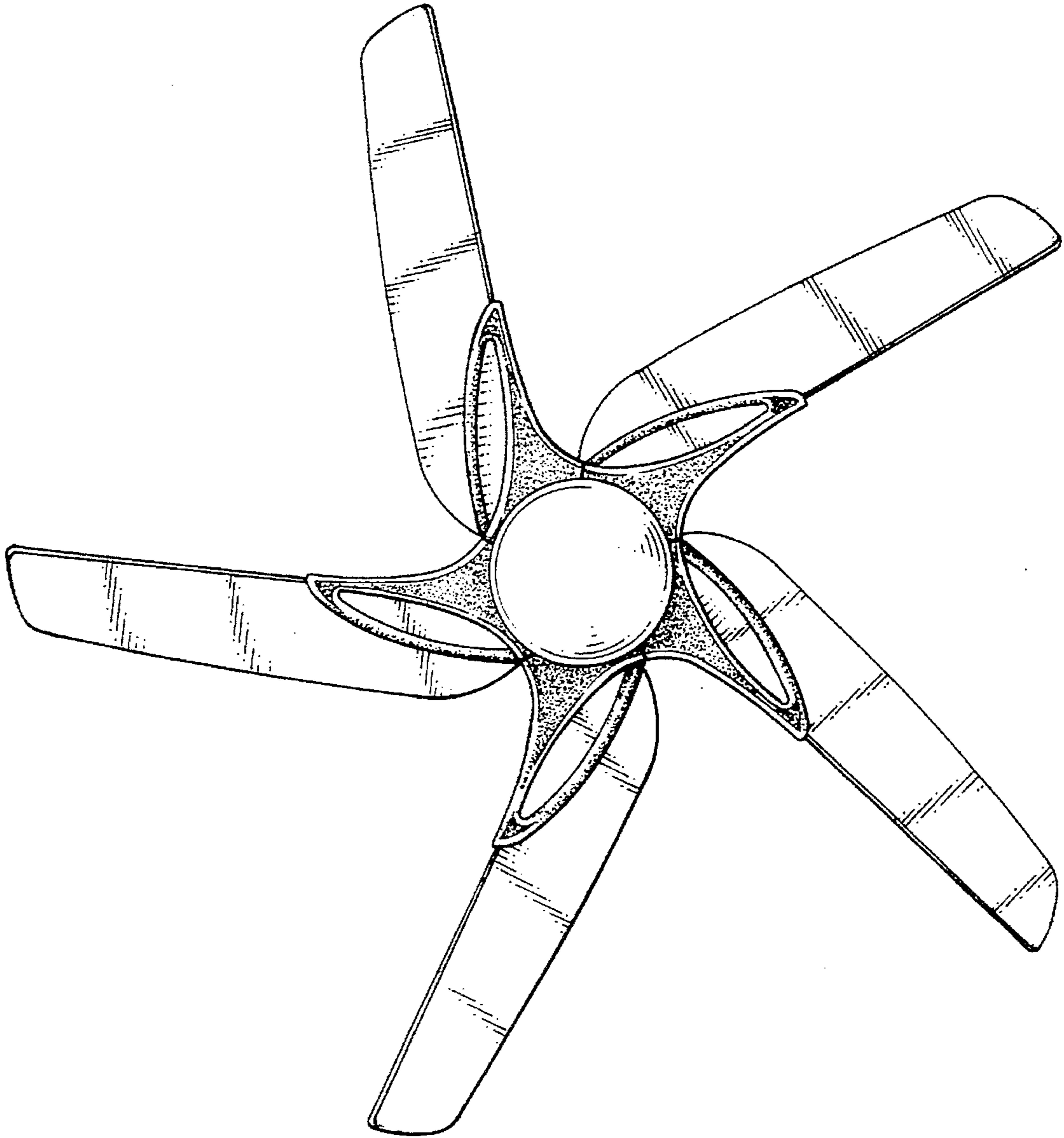


FIG. 7