



US00D380537S

United States Patent [19]
Ellwood

[11] **Patent Number: Des. 380,537**
[45] **Date of Patent: **Jul. 1, 1997**

[54] **FILTER FOR AN AIR CLEANER**

3,861,894 1/1975 Marsh D23/364
5,462,569 10/1995 Benjamin 55/495

[75] **Inventor: Iain Paul Ellwood**, Groningen,
Netherlands

Primary Examiner—Lisa Lichtenstein
Attorney, Agent, or Firm—Ernestine C. Bartlett

[73] **Assignee: U.S. Philips Corporation**, New York,
N.Y.

[57] **CLAIM**

[**] **Term: 14 Years**

The ornamental design for a filter for an air cleaner, as shown.

[21] **Appl. No.: 50,484**

[22] **Filed: Feb. 20, 1996**

[30] **Foreign Application Priority Data**

DESCRIPTION

Sep. 11, 1995 [XH] Hague Agreement DMA/003 057

FIG. 1 is a front, top, right side, perspective view showing my new design;

[51] **LOC (6) Cl.** 23-04

FIG. 2 is a front elevational view thereof;

[52] **U.S. Cl.** D23/365; D23/364

FIG. 3 is a rear elevational view thereof;

[58] **Field of Search** D23/364, 365;
55/357, 495

FIG. 4 is a right side elevational view thereof;

FIG. 5 is a left side elevational view thereof;

FIG. 6 is a top plan view thereof; and,

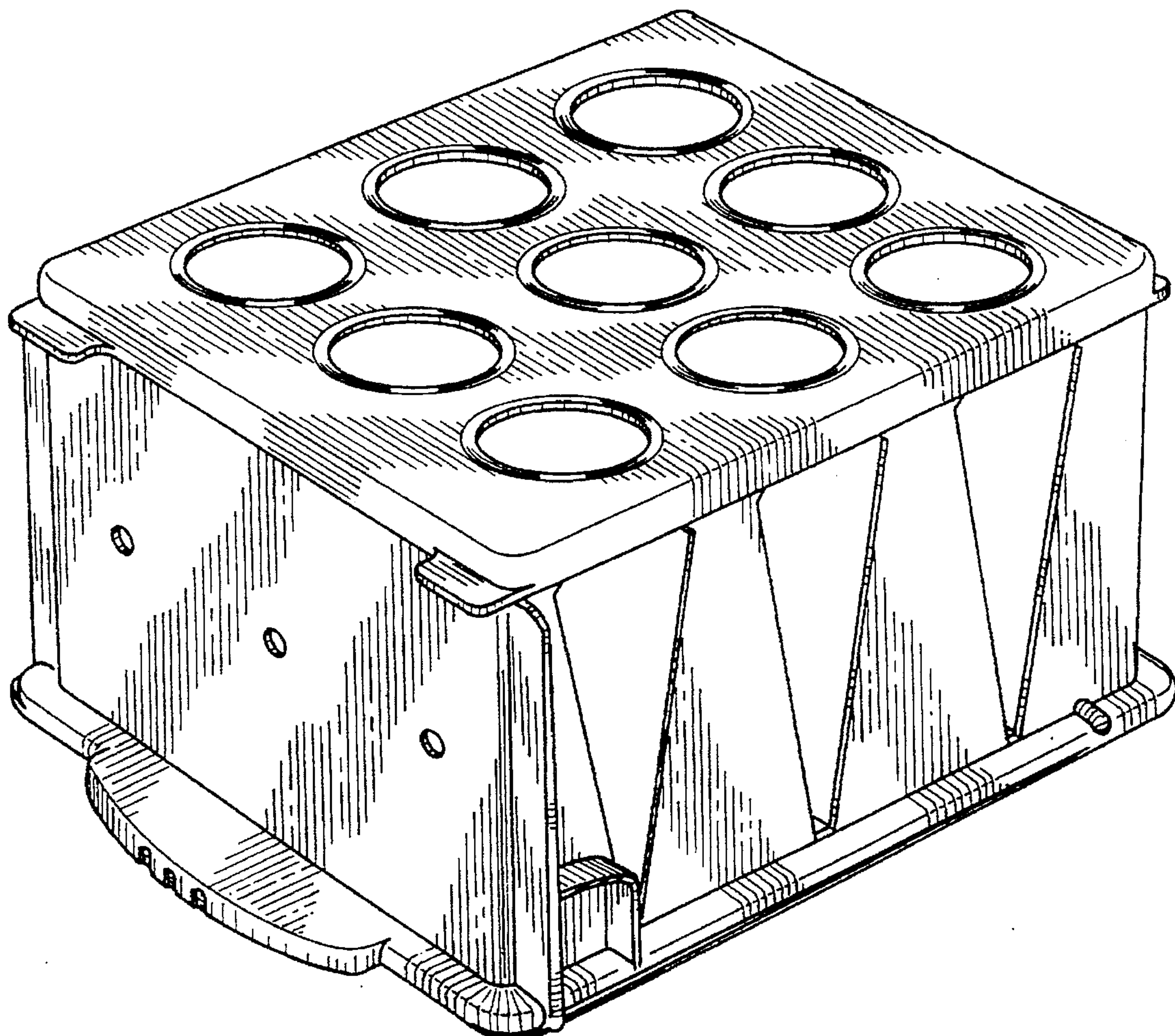
FIG. 7 is a bottom plan view thereof.

[56] **References Cited**

U.S. PATENT DOCUMENTS

2,796,143 6/1957 Longenecker et al. 55/357

1 Claim, 5 Drawing Sheets



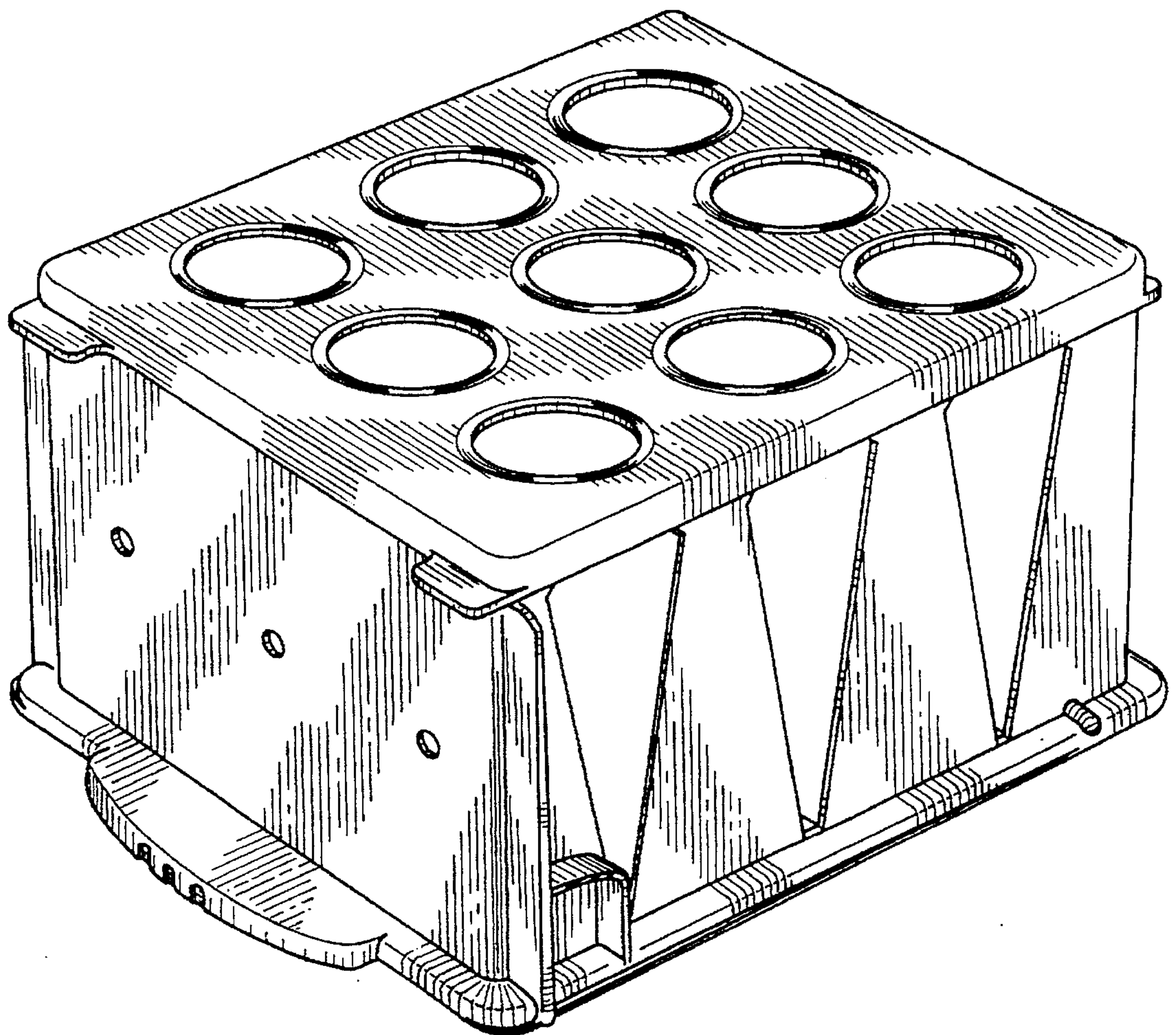


FIG. 1

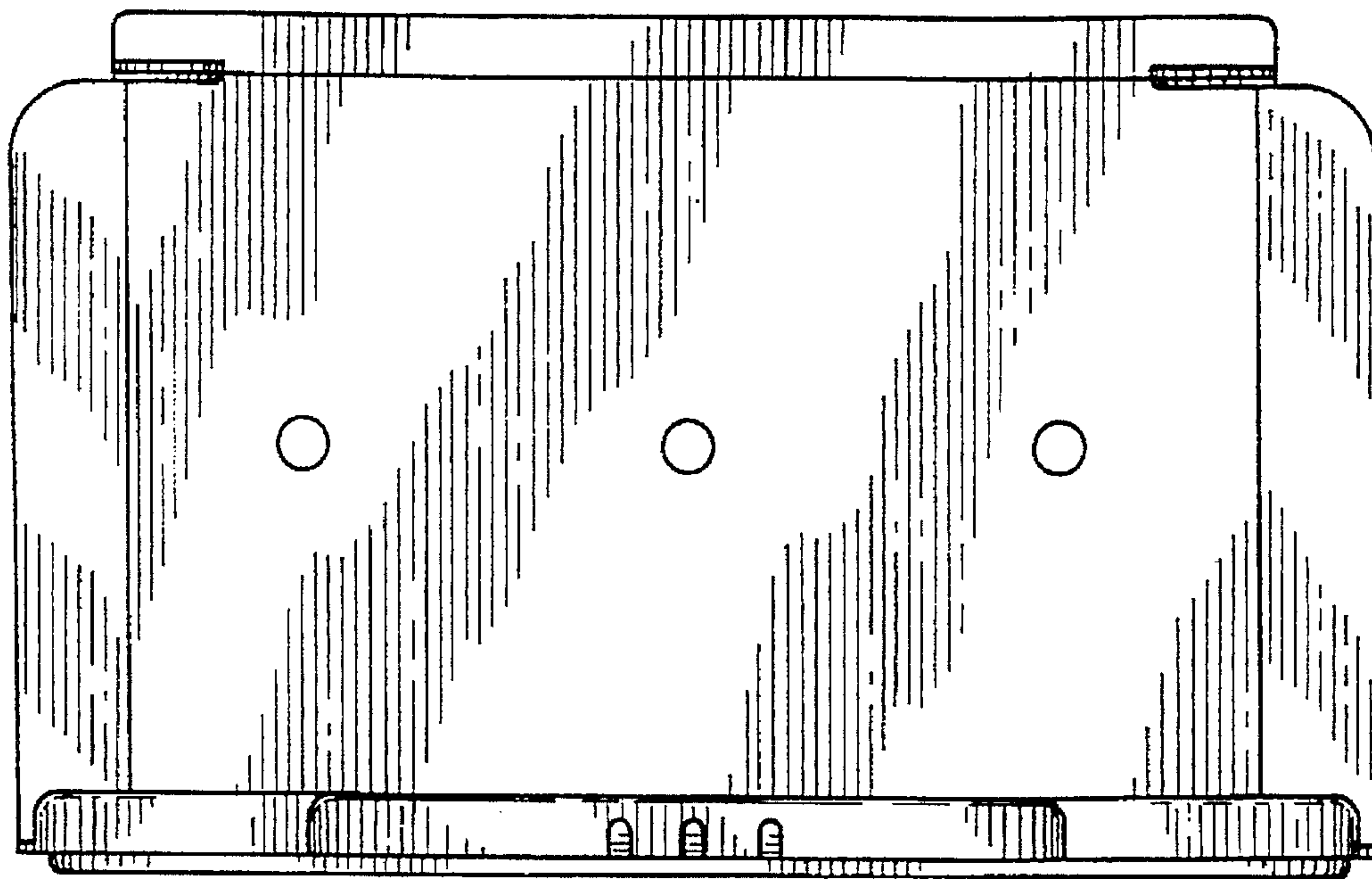


FIG. 2

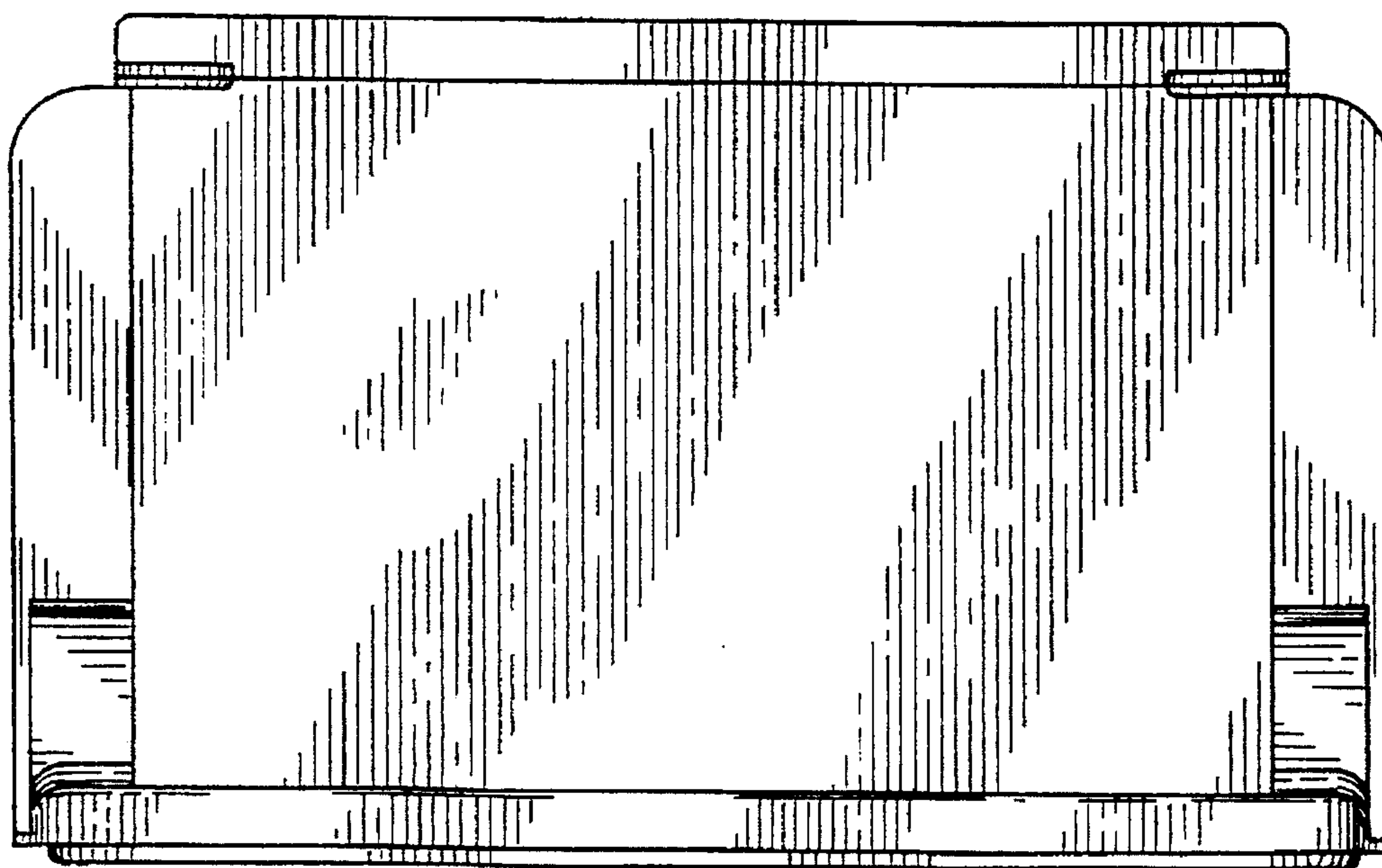


FIG. 3

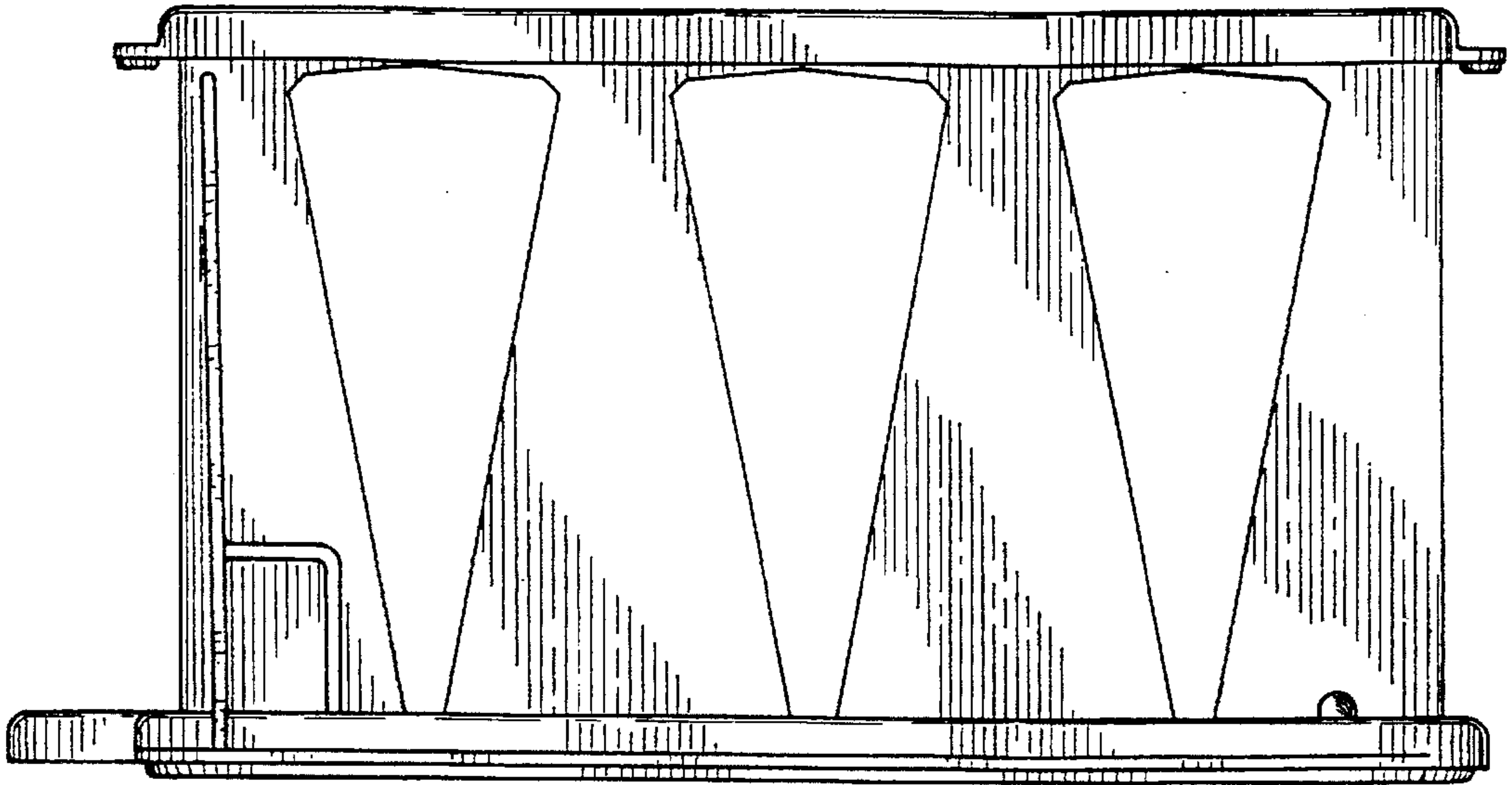


FIG. 4

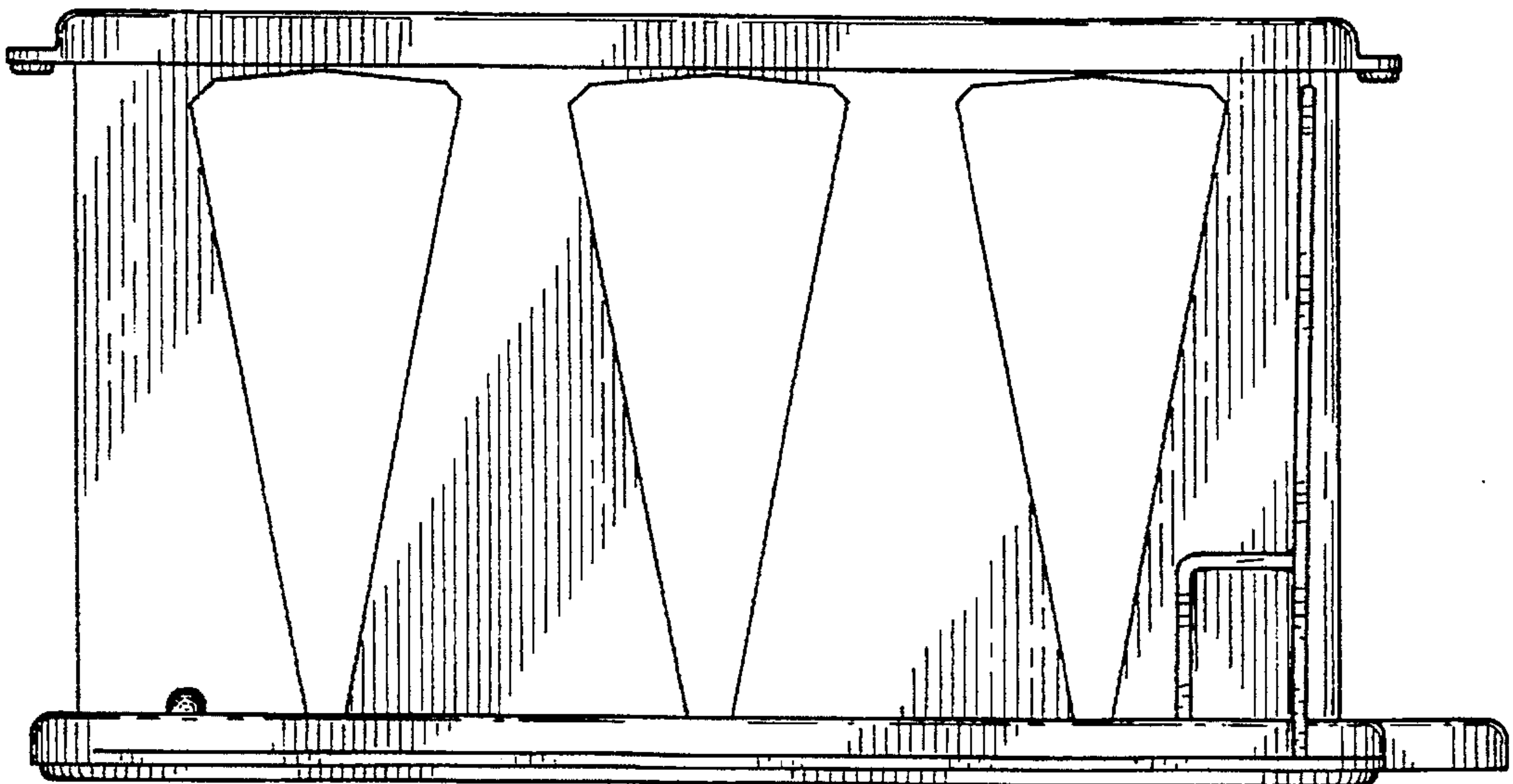


FIG. 5

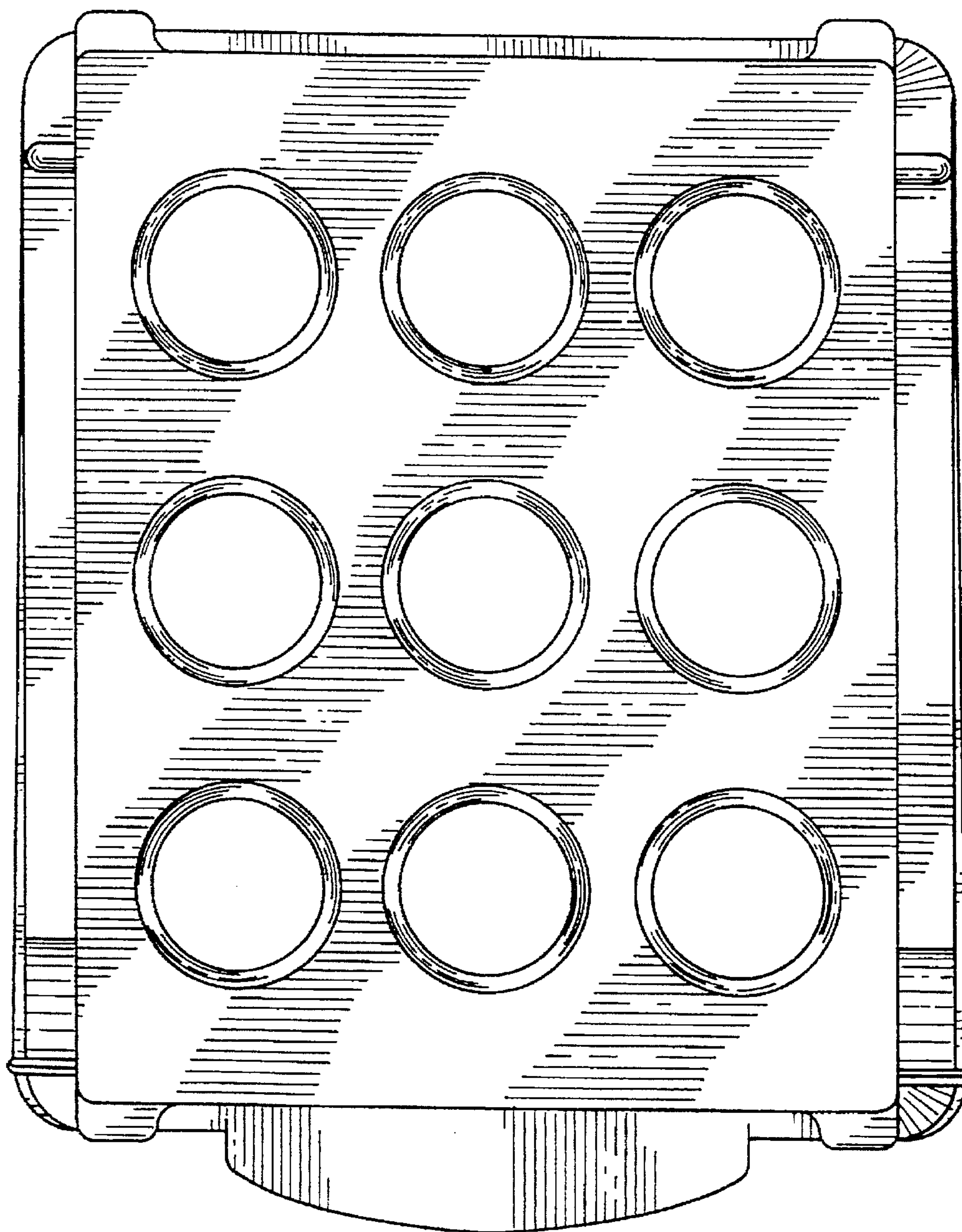


FIG. 6

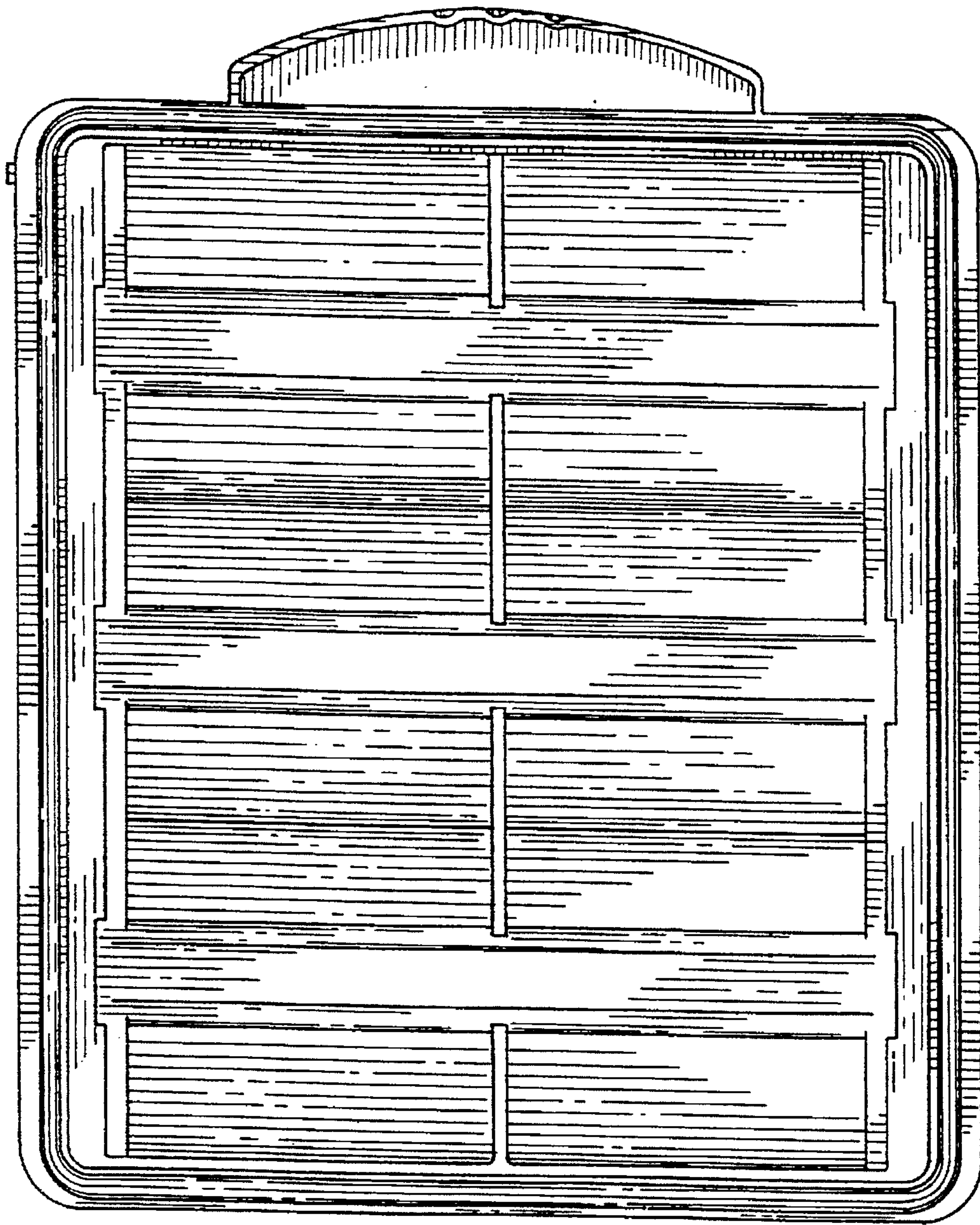


FIG. 7