



US00D380529S

United States Patent [19] Laughton

[11] Patent Number: Des. 380,529

[45] Date of Patent: **Jul. 1, 1997

[54] SINK

4,462,126 7/1984 Cleaveland 4/619
4,991,241 2/1991 Bergmann et al. 4/619

[75] Inventor: John Laughton, East Sussex, England

FOREIGN PATENT DOCUMENTS

[73] Assignee: American Standard Inc., Piscataway, N.J.

2542344 9/1984 France 4/619

[**] Term: 14 Years

OTHER PUBLICATIONS

[21] Appl. No.: 31,722

Ingersoll—Humphryes Division, Borg Warner Corp. Brochure p. 2, "Carroll" & Earlham lavatories.
Kohler Catalogue, "Boutique Countertop" and Pennington Countertop, p. 13-21, 1990.
The Bold Look of Kohler, fixtures, K-500-4 Suggested list Price Book, Jan. 17, 1994, p. 133.

[22] Filed: Dec. 5, 1994

Related U.S. Application Data

[62] Division of Ser. No. 13,057, Sep. 16, 1993, Pat. No. Des. 355,949.

Primary Examiner—Doris Clark
Assistant Examiner—Eric Watterson
Attorney, Agent, or Firm—Ann M. Knab; Elaine Brenner Robinson

[51] LOC (6) Cl. 23-02

[52] U.S. Cl. D23/287

[58] Field of Search D23/284-293.1;
4/619, 631-636

[57] CLAIM

The ornamental design for a sink, as shown and described.

[56] References Cited

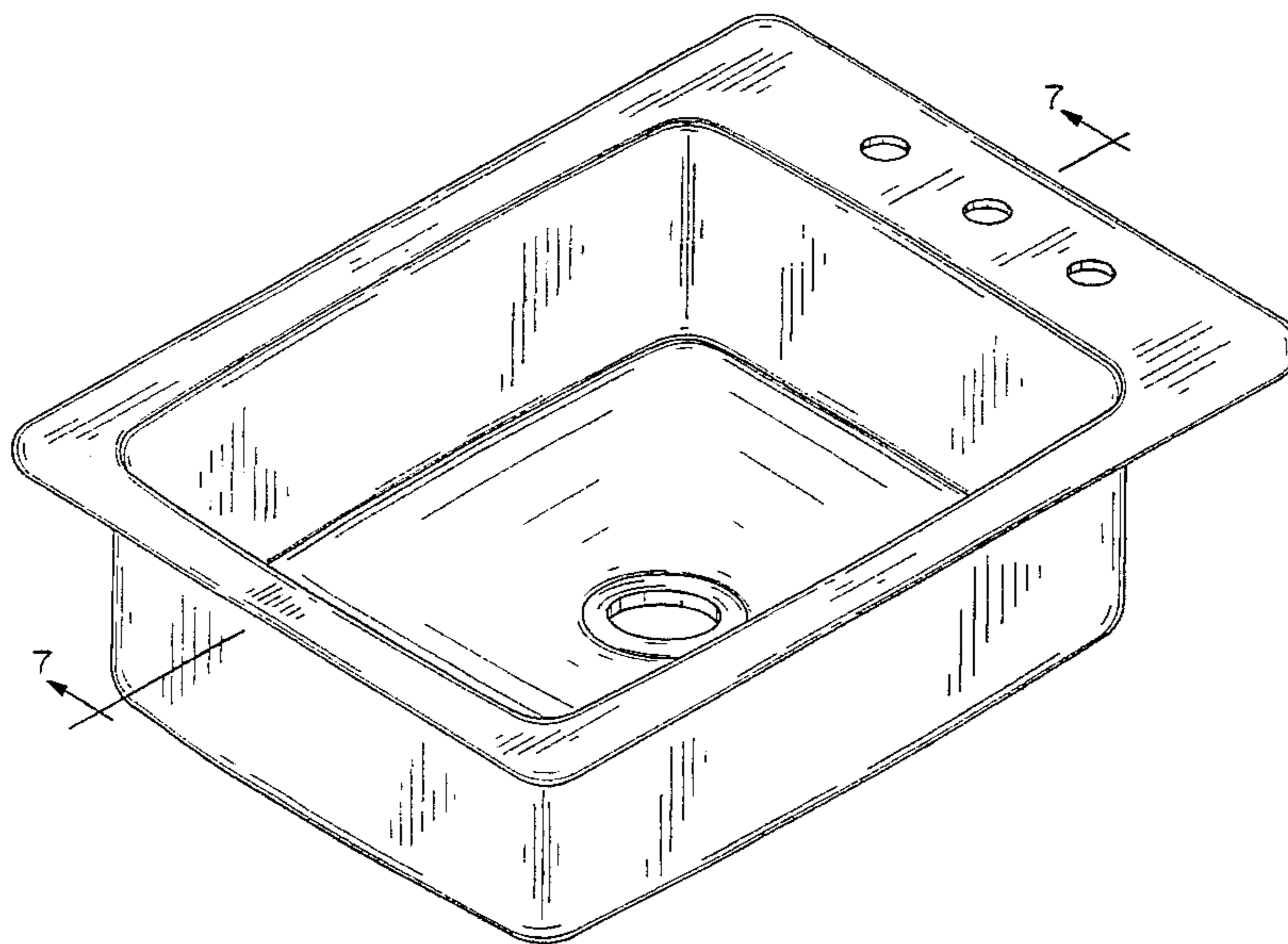
DESCRIPTION

U.S. PATENT DOCUMENTS

D. 45,284	2/1914	Alpaugh .	
D. 76,700	10/1928	Nash .	
D. 95,378	4/1935	Morgan .	
D. 172,707	7/1954	Farrar	4/2
D. 194,021	11/1962	Chapman	4/2
D. 218,606	9/1970	Lien	D23/284
D. 252,100	6/1979	Morris et al.	23/58
D. 261,028	9/1981	Bitvai	D23/284
D. 302,851	8/1989	Cochran	D23/284
D. 319,493	8/1991	Edmondson	23/284
D. 321,753	11/1991	Bengtson et al.	23/270
D. 354,119	1/1995	Houser, II	D23/284
D. 362,715	9/1995	Trothier	D23/284
2,185,186	1/1940	Coordes	4/166
2,210,933	8/1940	Graf	113/120
2,583,922	1/1952	Zummach	4/170
2,767,407	10/1956	Weiss	4/166
2,841,799	8/1958	Traynor	D23/284 X
4,193,141	3/1980	Rosenberg et al.	4/1
4,295,233	10/1981	Hinkel et al.	4/619

FIG. 1 is a top, front and left side perspective view of a sink showing my new design;
FIG. 2 is a top plan view thereof;
FIG. 3 is a left side elevational view thereof;
FIG. 4 is a front elevational view thereof;
FIG. 5 is a rear elevational view thereof;
FIG. 6 is a bottom plan view thereof;
FIG. 7 is a sectional view thereof taken along line 7—7 of FIG. 1;
FIG. 8 is a top, front and left side perspective view of a sink showing an alternative embodiment of my new design;
FIG. 9 is a top plan view thereof;
FIG. 10 is a left side elevational view thereof;
FIG. 11 is a front elevational view thereof;
FIG. 12 is a rear elevational view thereof;
FIG. 13 is a bottom plan view thereof; and,
FIG. 14 is a sectional view thereof taken along line 14—14 of FIG. 8.

1 Claim, 10 Drawing Sheets



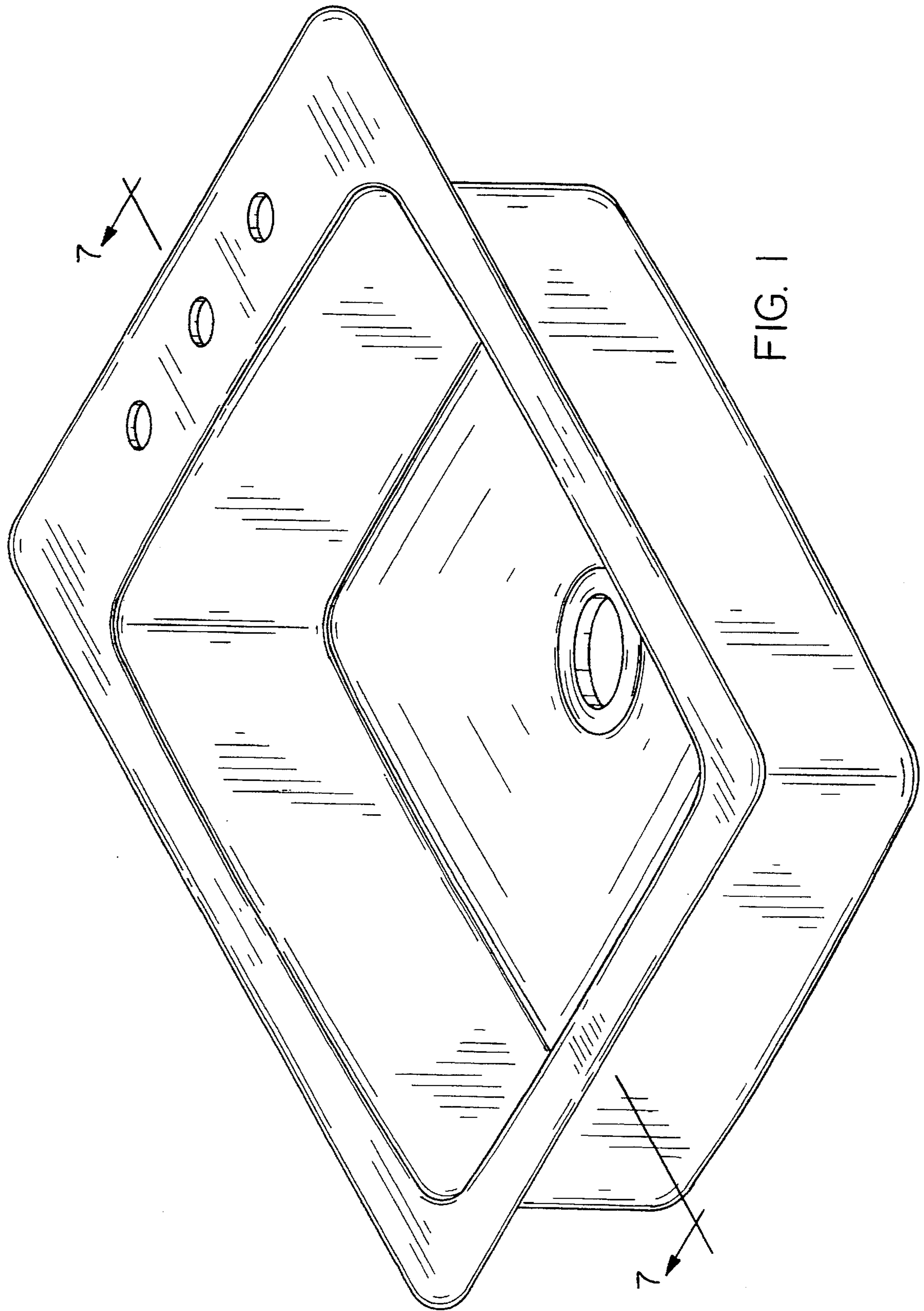


FIG. 1

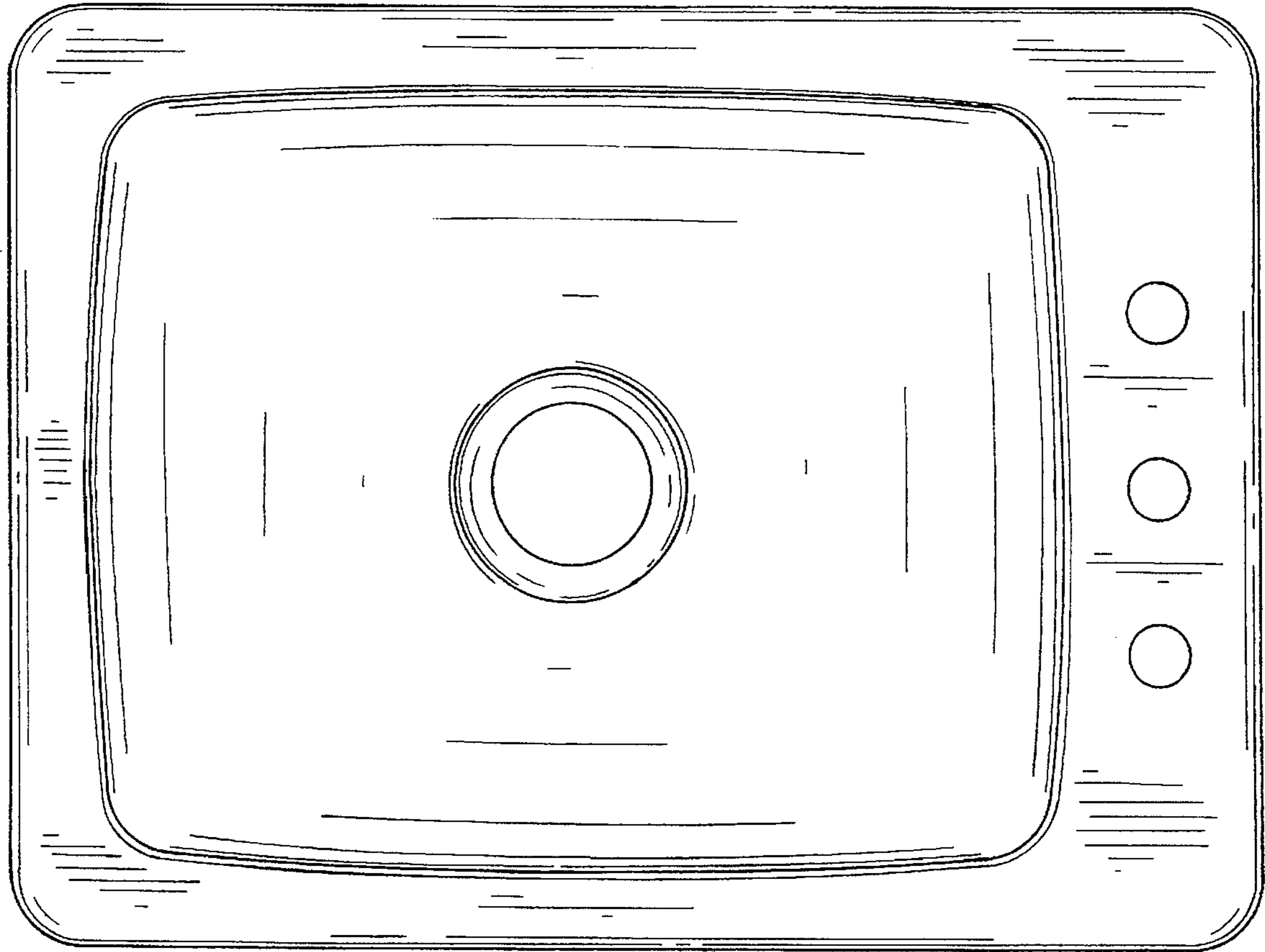


FIG. 2

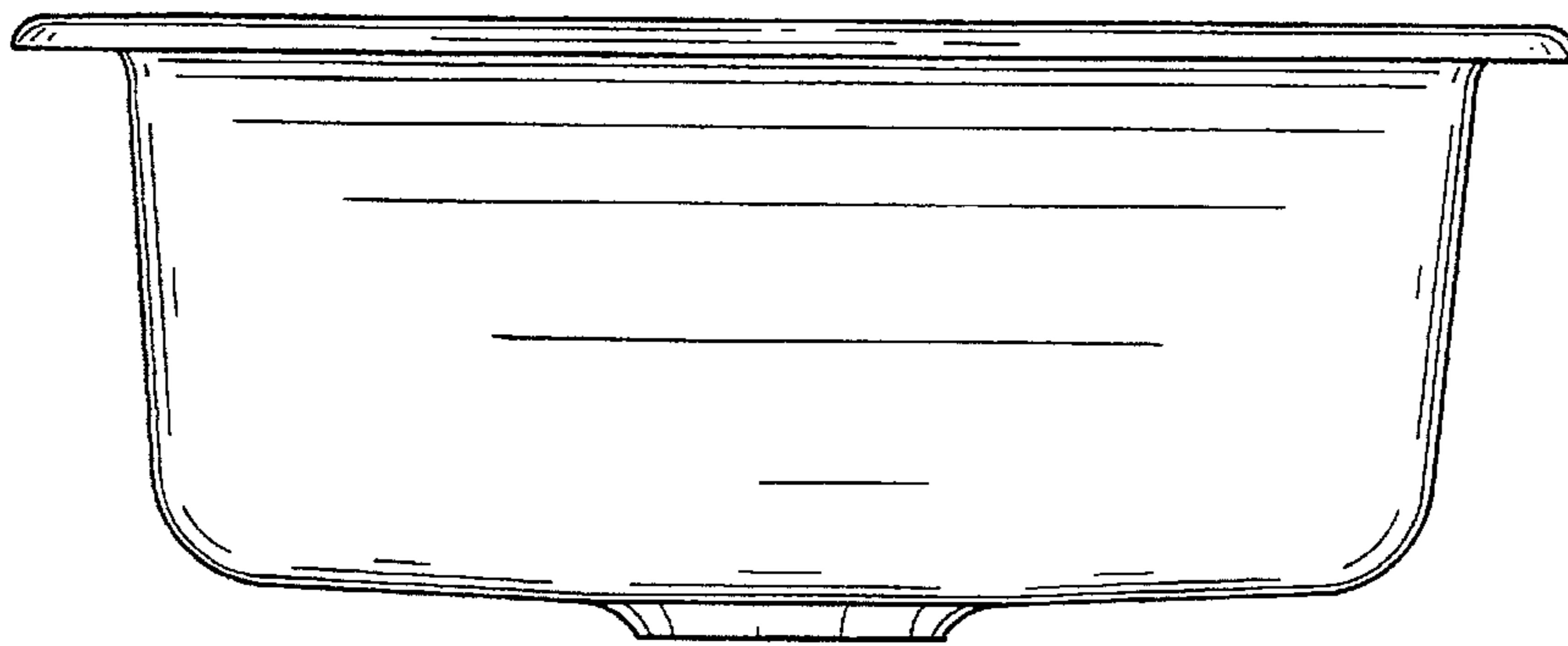


FIG. 3

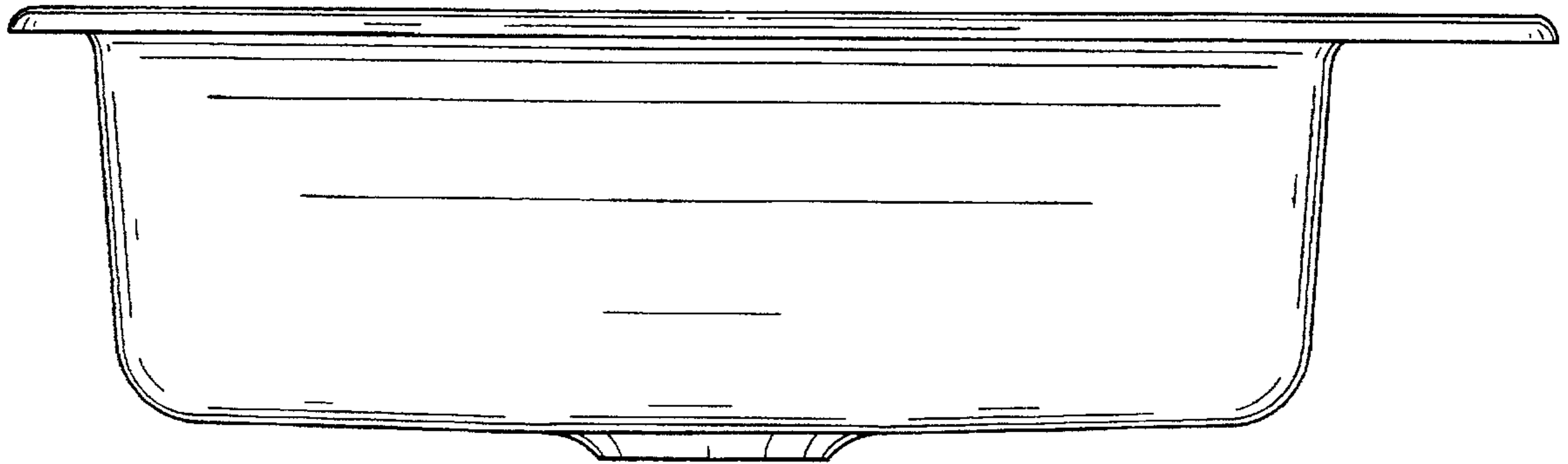


FIG. 4

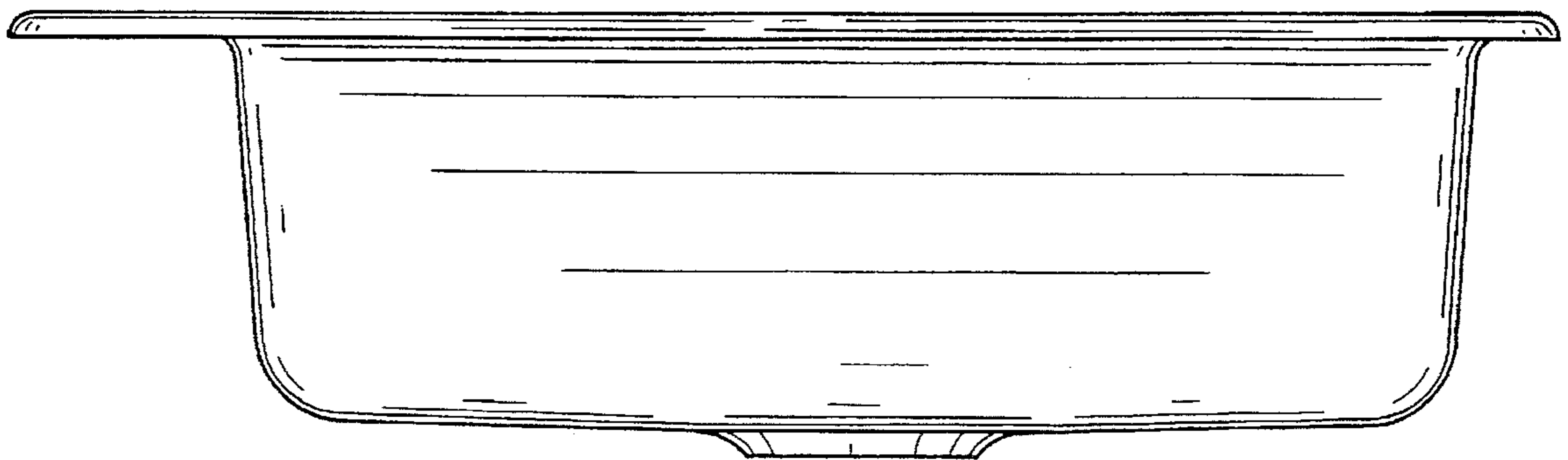


FIG. 5

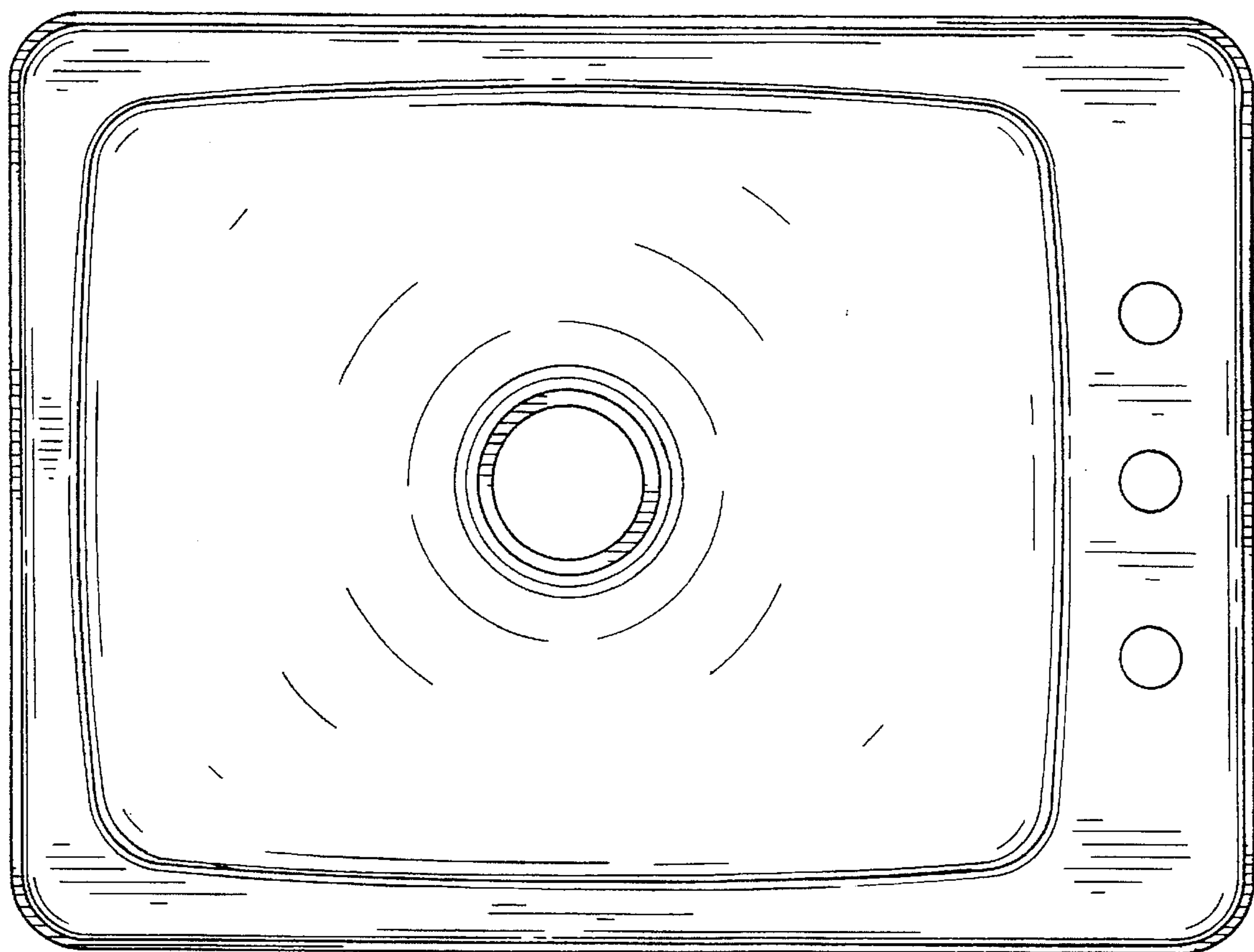


FIG. 6

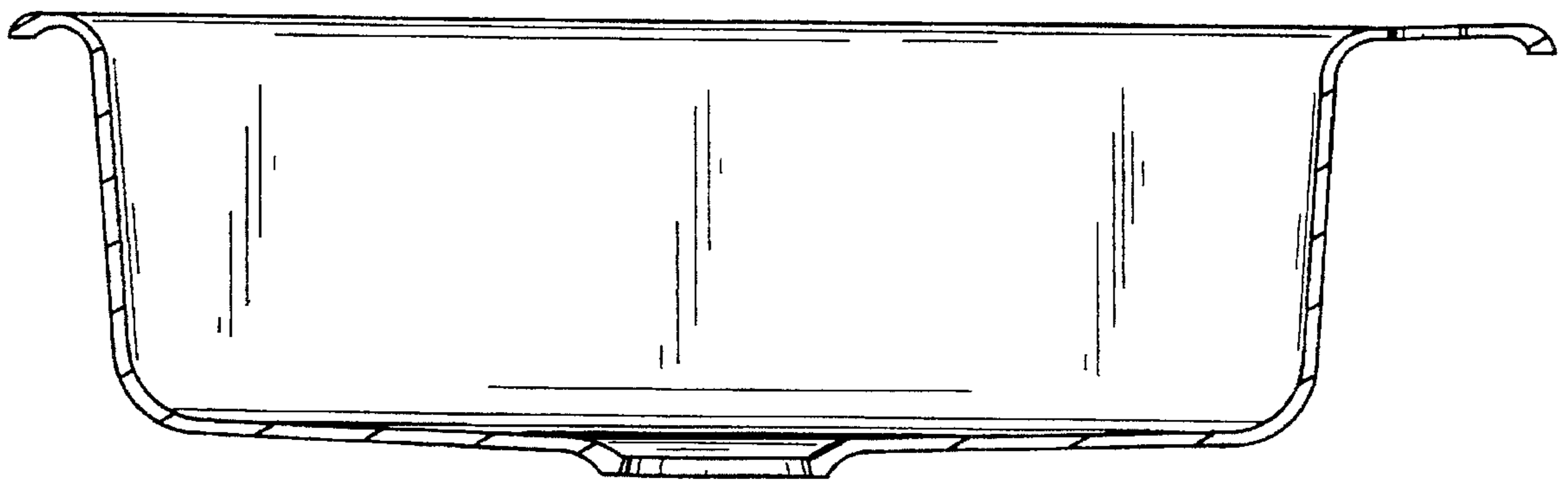


FIG. 7

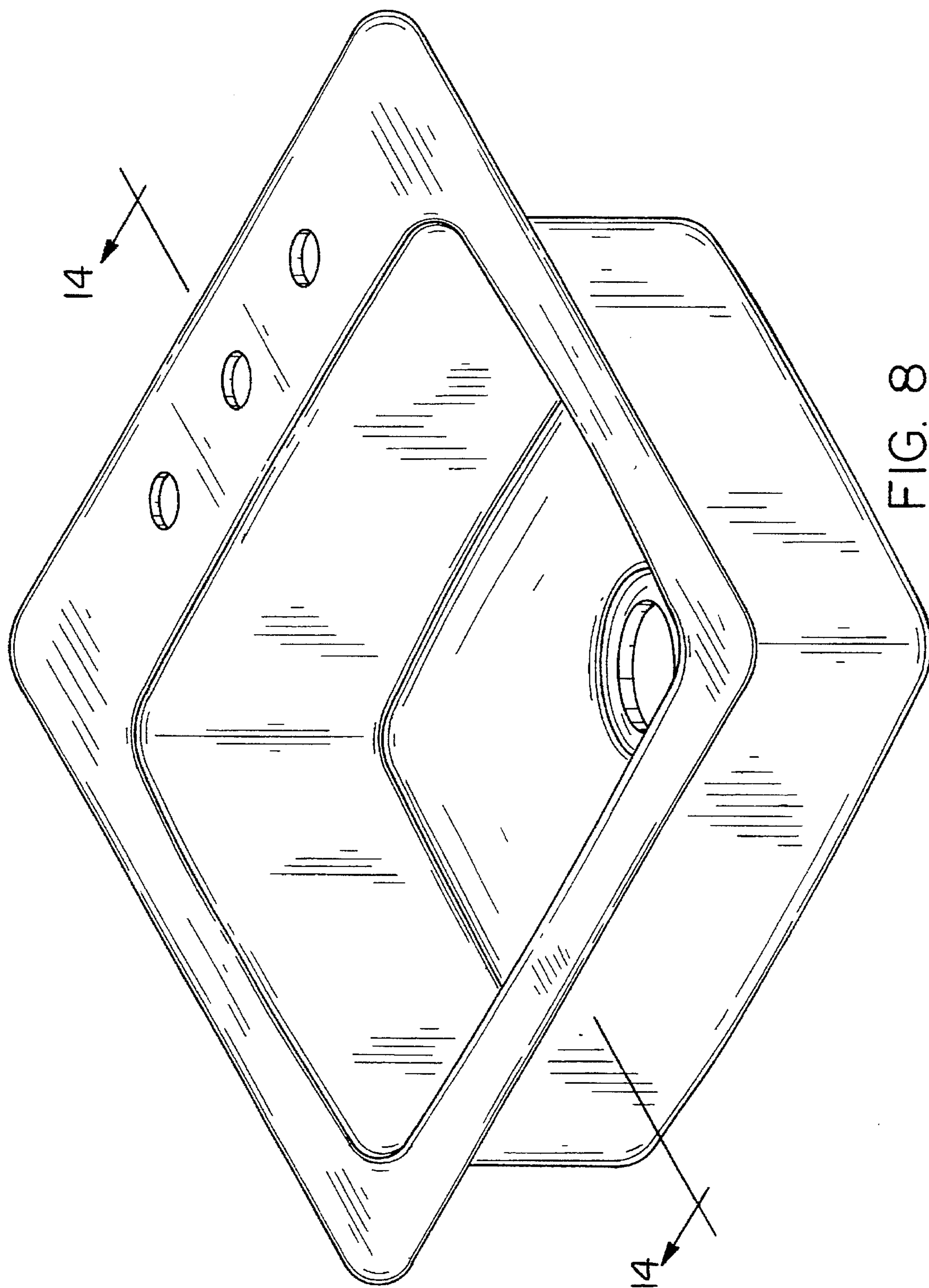


FIG. 8

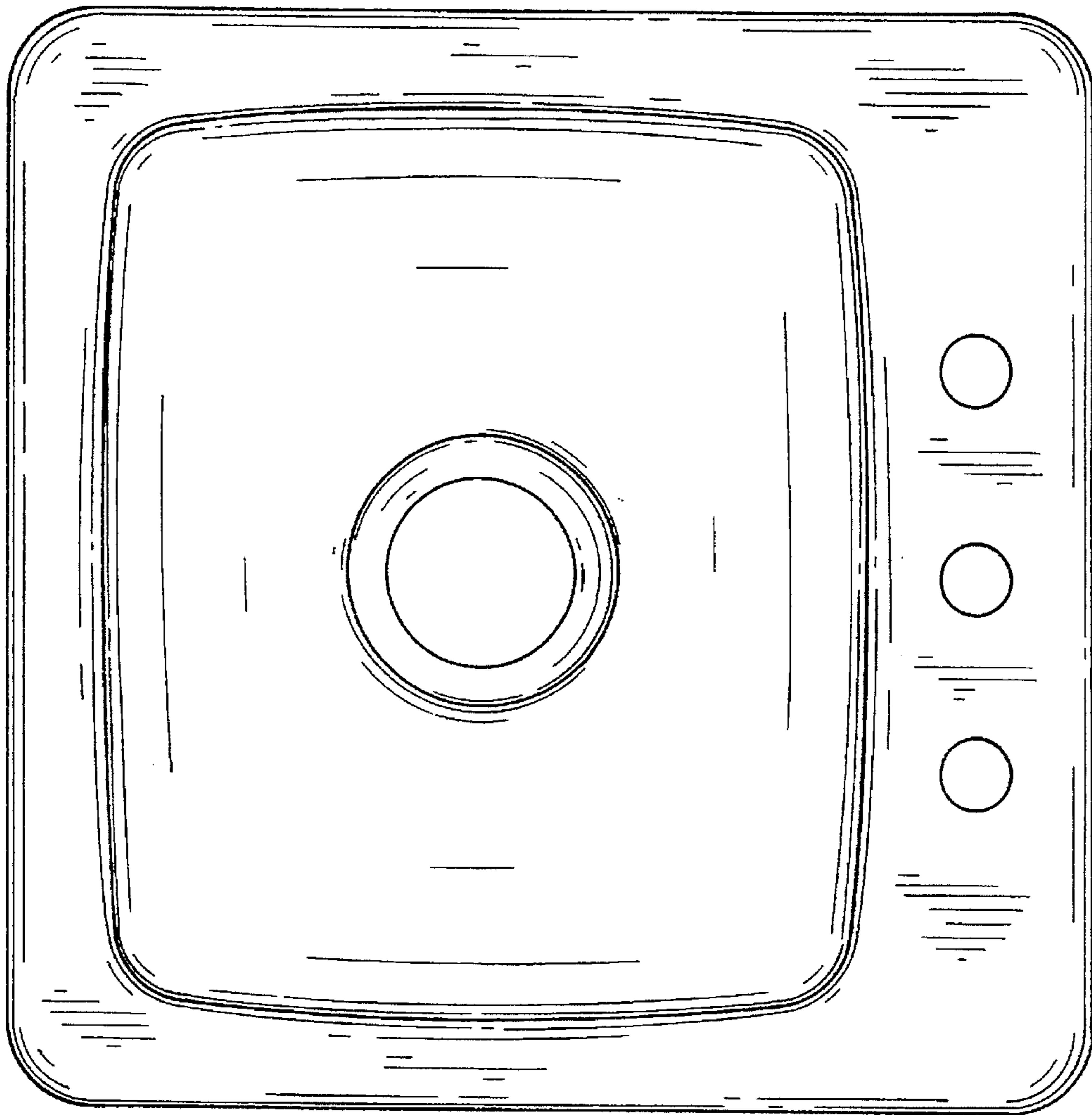


FIG. 9

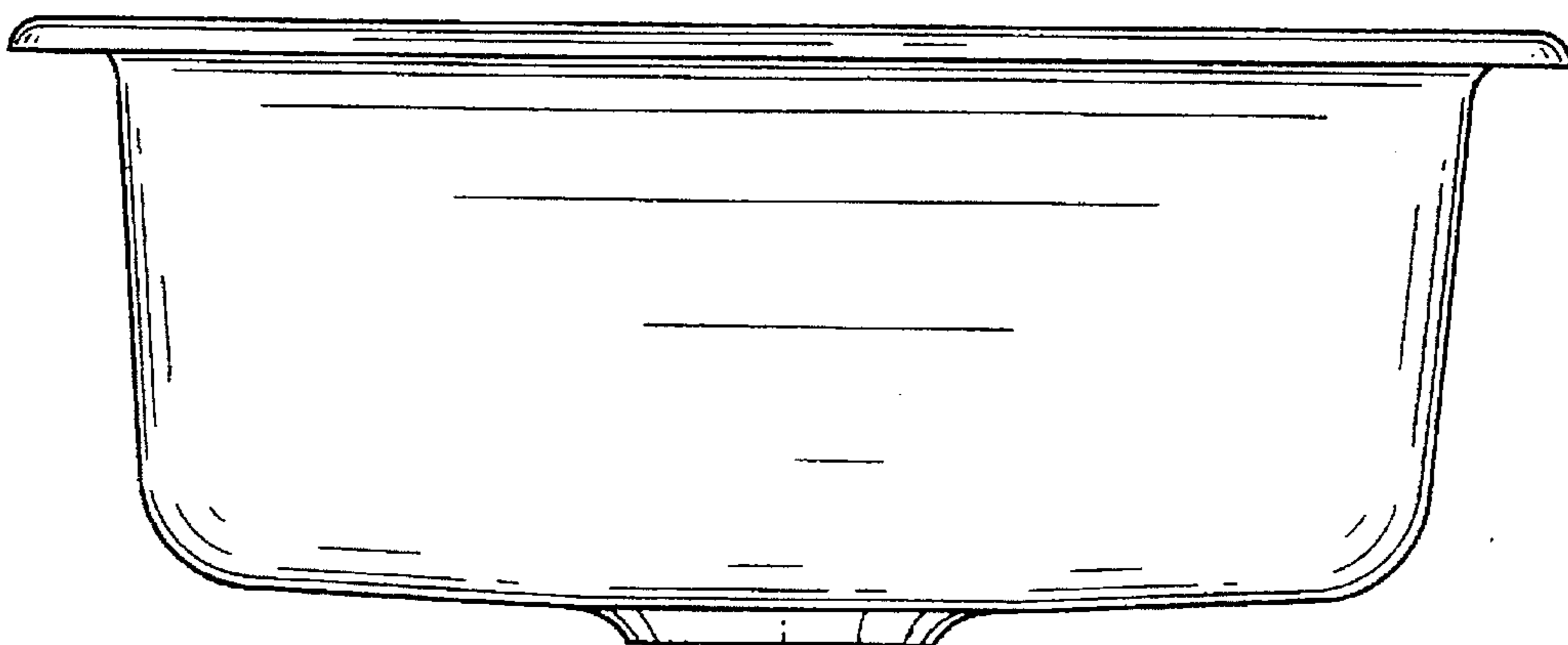


FIG. 10

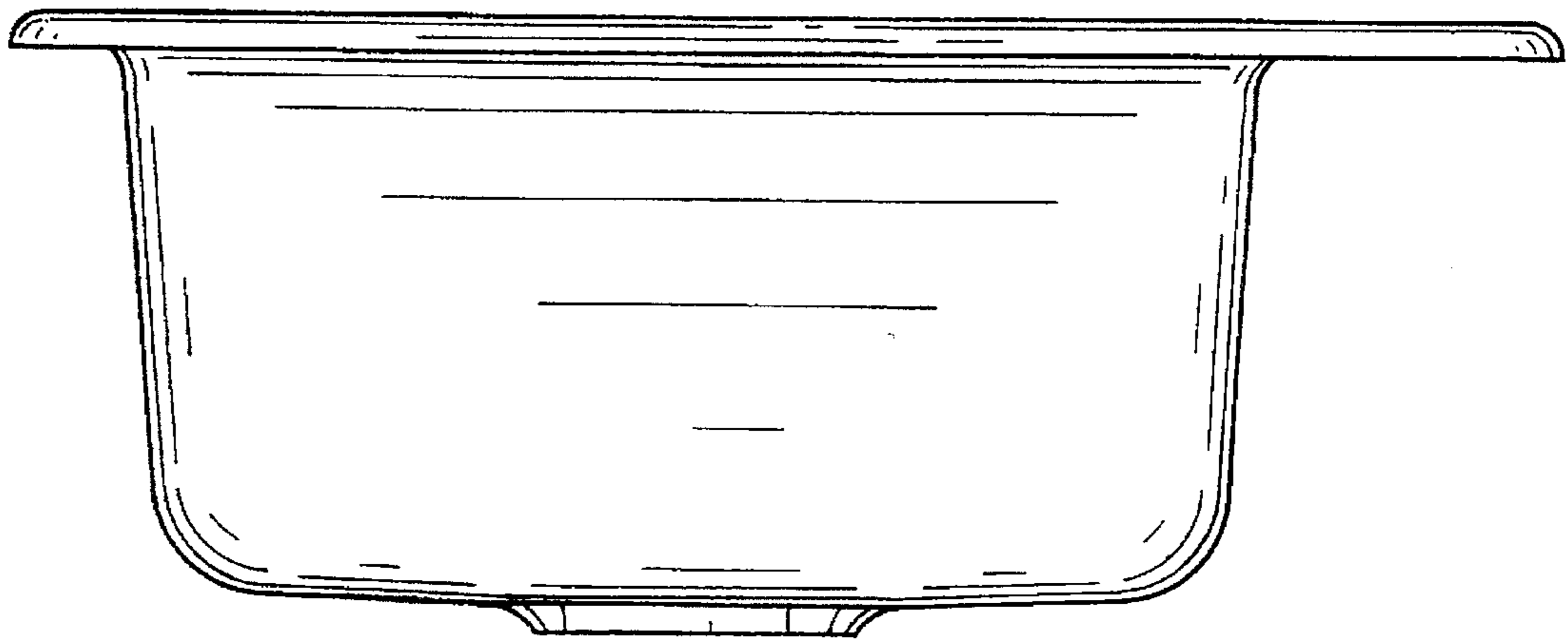


FIG. 11

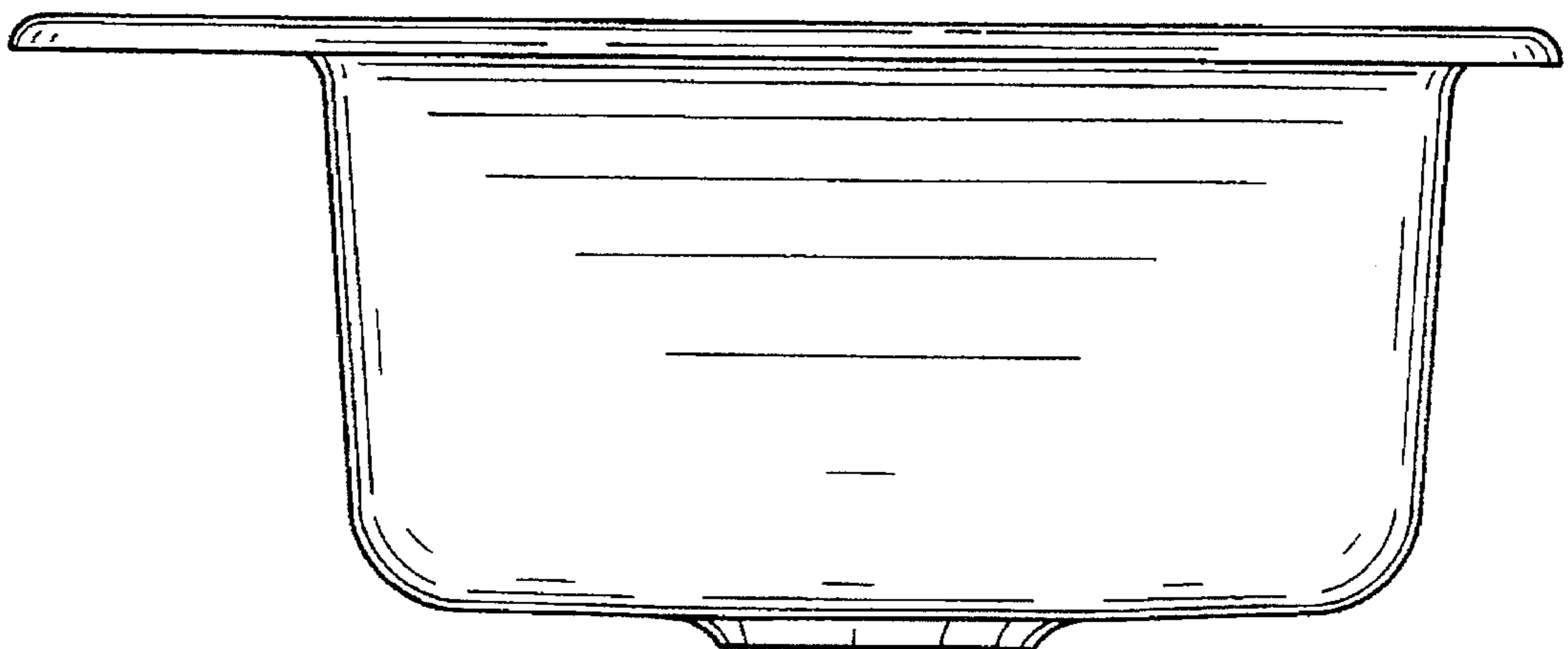


FIG. 12

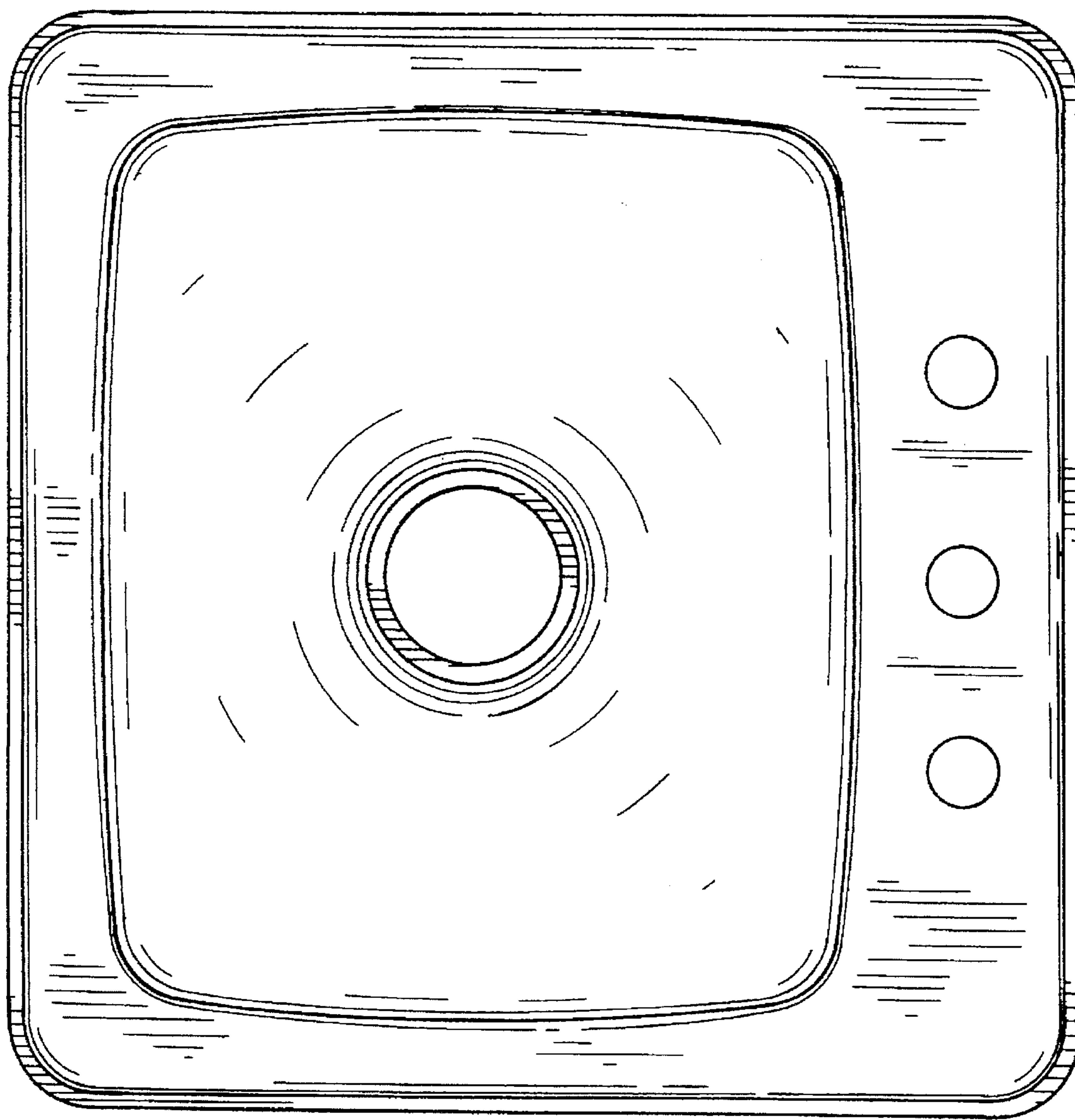


FIG. 13

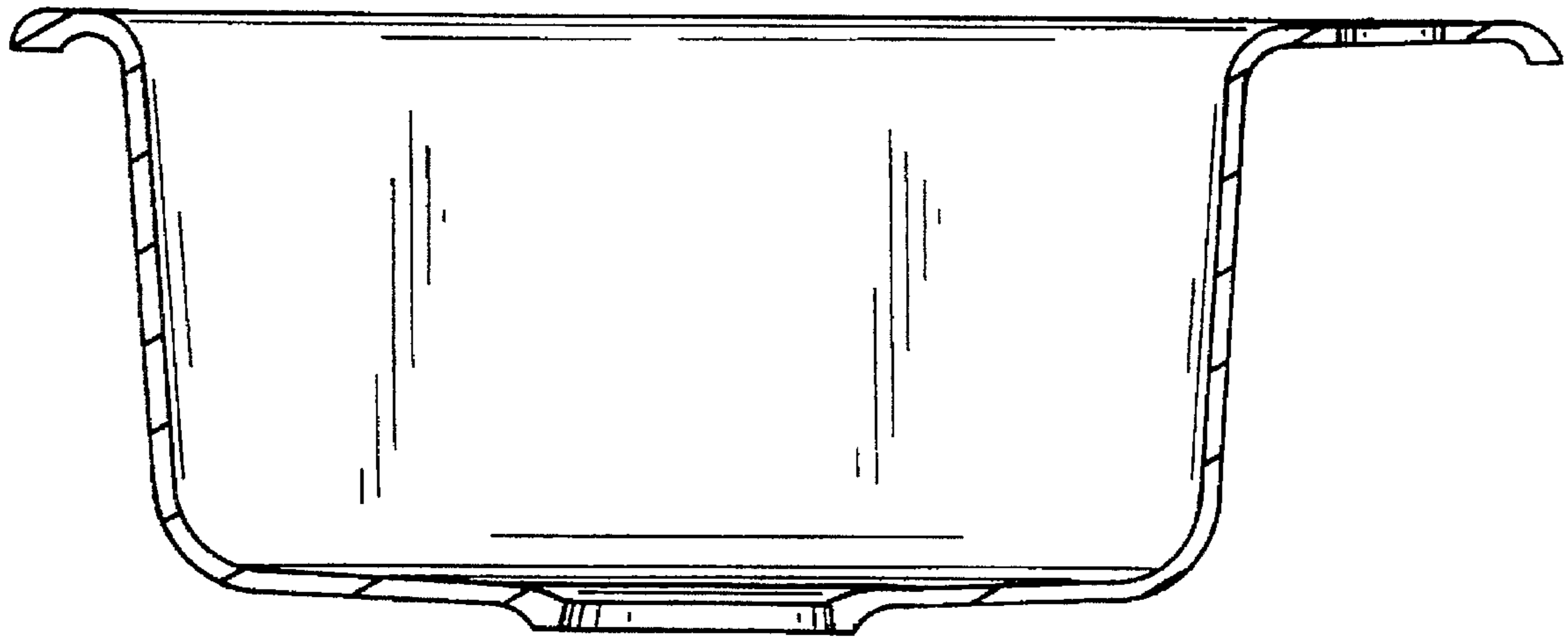


FIG. 14