



US00D380526S

# United States Patent [19] Pullen

[11] Patent Number: **Des. 380,526**

[45] Date of Patent: **\*\*Jul. 1, 1997**

[54] **EMERGENCY SHUT-OFF VALVE**

[76] Inventor: **Ronald Pullen**, 36380 N. Wilson Rd.,  
Ingleside, Ill. 60041

[\*\*] Term: **14 Years**

[21] Appl. No.: **51,915**

[22] Filed: **Mar. 19, 1996**

[51] LOC (6) Cl. .... **23-01**

[52] U.S. Cl. .... **D23/245**

[58] Field of Search ..... D23/233-237,  
D23/245-249, 262, 263; 251/318, 319,  
326

Walworth Co. Cat. 89 ©1938; p. 46: Nos. 460, 464, 487.

Fleck Company Cat 58, 1947; p. 382: lower right: Stream-  
line Cast Bronze Solder Tee.

Lincoln Controls. Hydraulic/Pneumatic Systems and Equip-  
ment ©1982 p. 788 : Ball Valve.

*Primary Examiner*—Ted Shooman

*Assistant Examiner*—C. Tuttle

*Attorney, Agent, or Firm*—Harold H. Dutton, Jr.; W. Charles  
L. Jamison; Diane F. Liebman

[57] **CLAIM**

The ornamental design for an emergency shut-off valve, as  
shown and described.

[56] **References Cited**

**U.S. PATENT DOCUMENTS**

D. 318,903	8/1991	Lenberg	.....	D23/245
976,804	11/1910	Hulings	.....	251/326 X
1,280,451	10/1918	Hagen	.....	251/326 X

**FOREIGN PATENT DOCUMENTS**

25 06 951	10/1975	Germany	.....	251/326
6201058	7/1994	Japan	.....	251/326

**OTHER PUBLICATIONS**

John Simmons Co Piping, Heating Material, Plumbing Sup-  
plies, Cat No. 42 ① p. 30: bottom center: Style 65A  
Threaded Branch Tee ② p. 239: No. 7500.

**DESCRIPTION**

FIG. 1 is a perspective view of an emergency shut-off valve  
showing my new design;

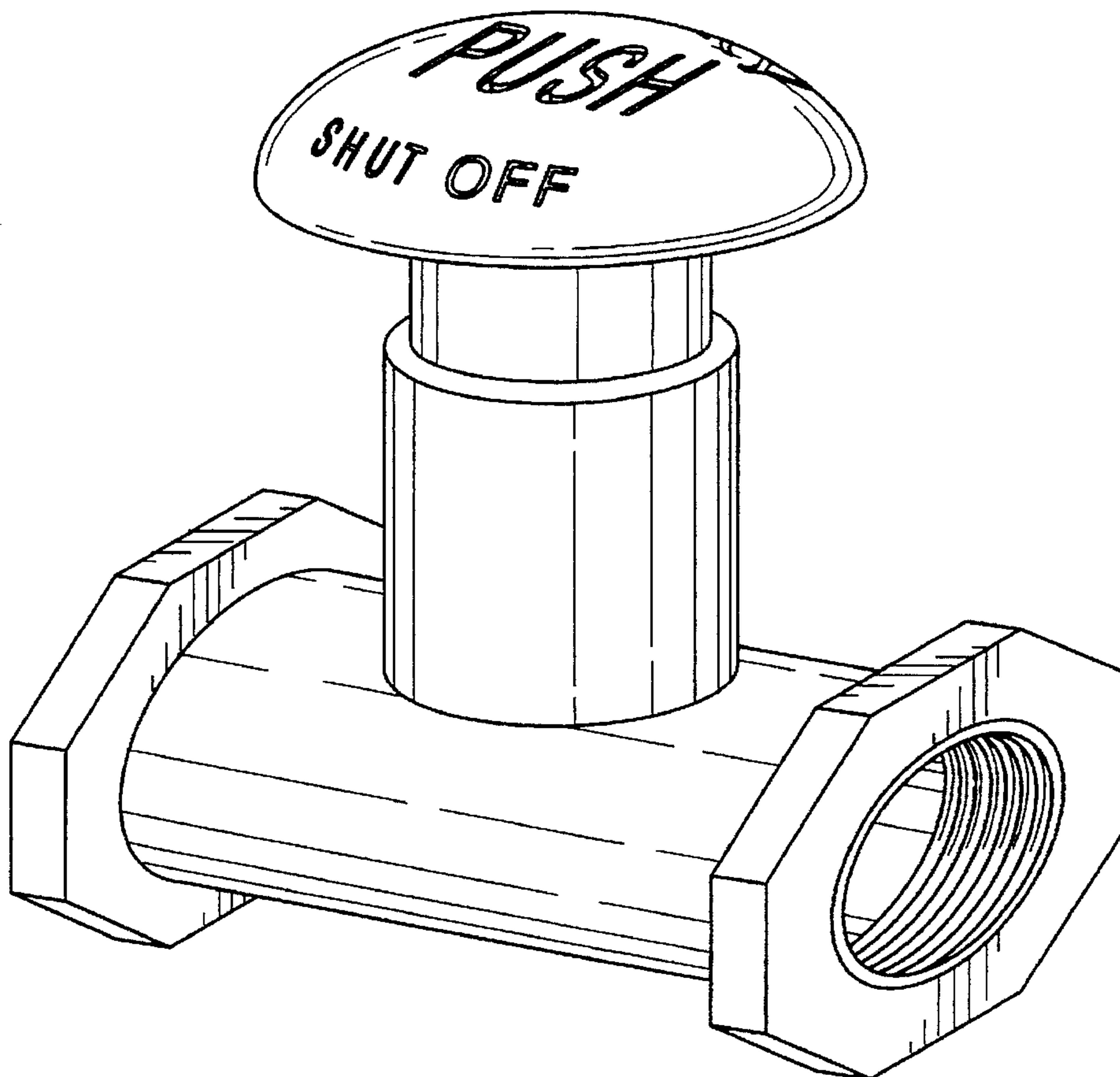
FIG. 2 is a front view thereof; and the rear view is a mirror  
image thereof;

FIG. 3 is a right side view thereof; and the left side view is  
a mirror image thereof;

FIG. 4 is a top view thereof; and,

FIG. 5 is a bottom view thereof.

**1 Claim, 3 Drawing Sheets**



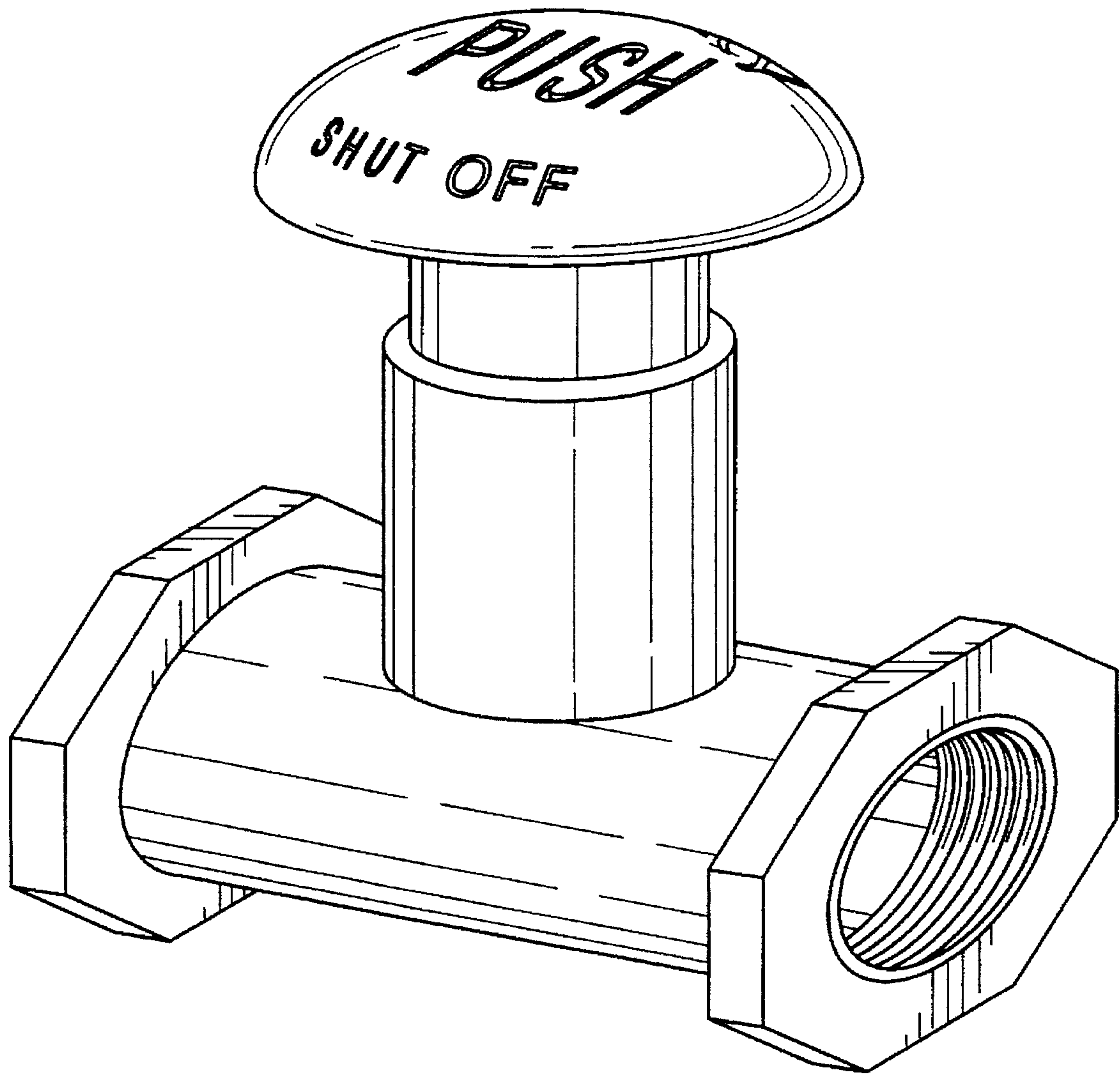


FIG. 1

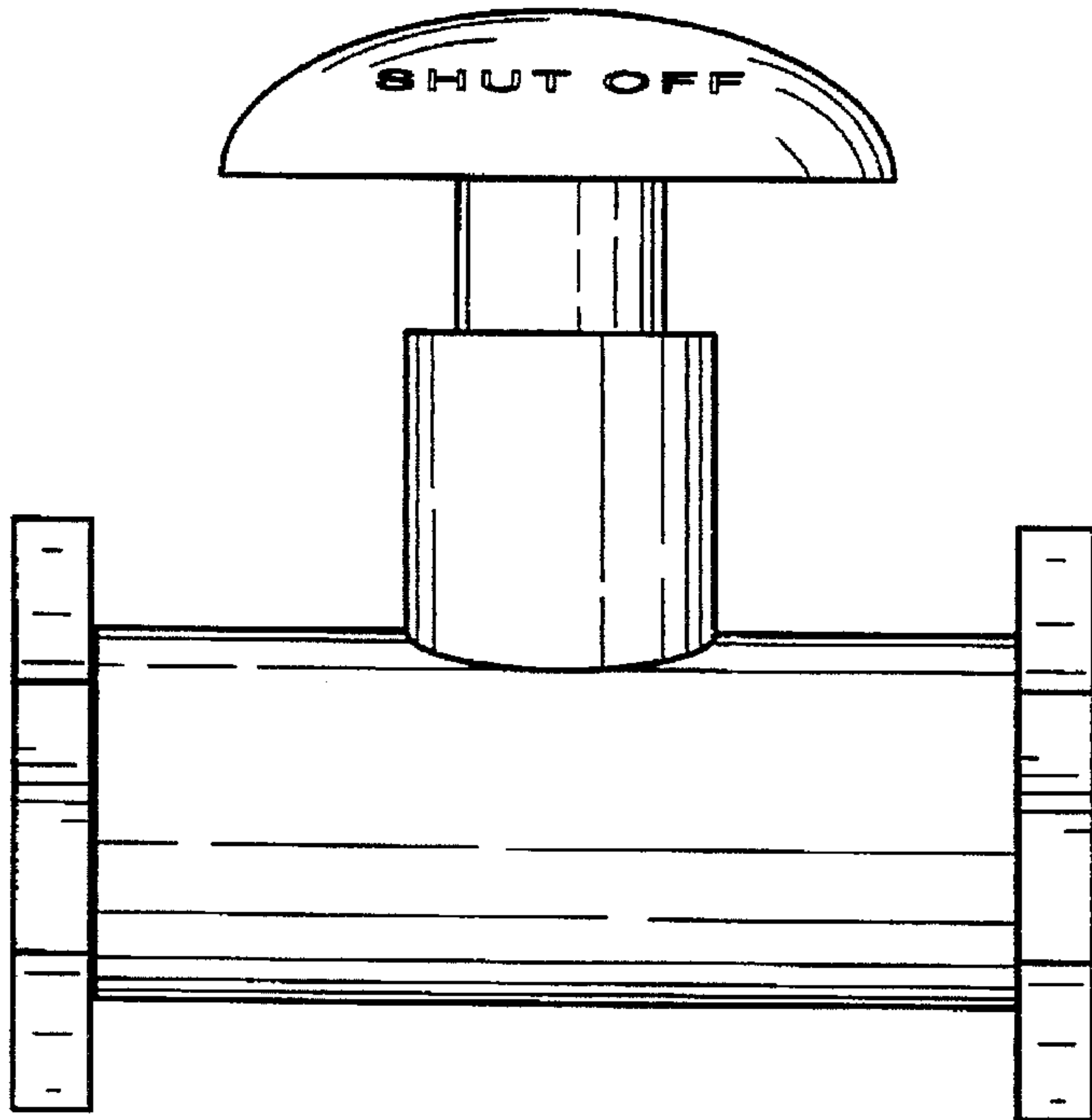


FIG. 2

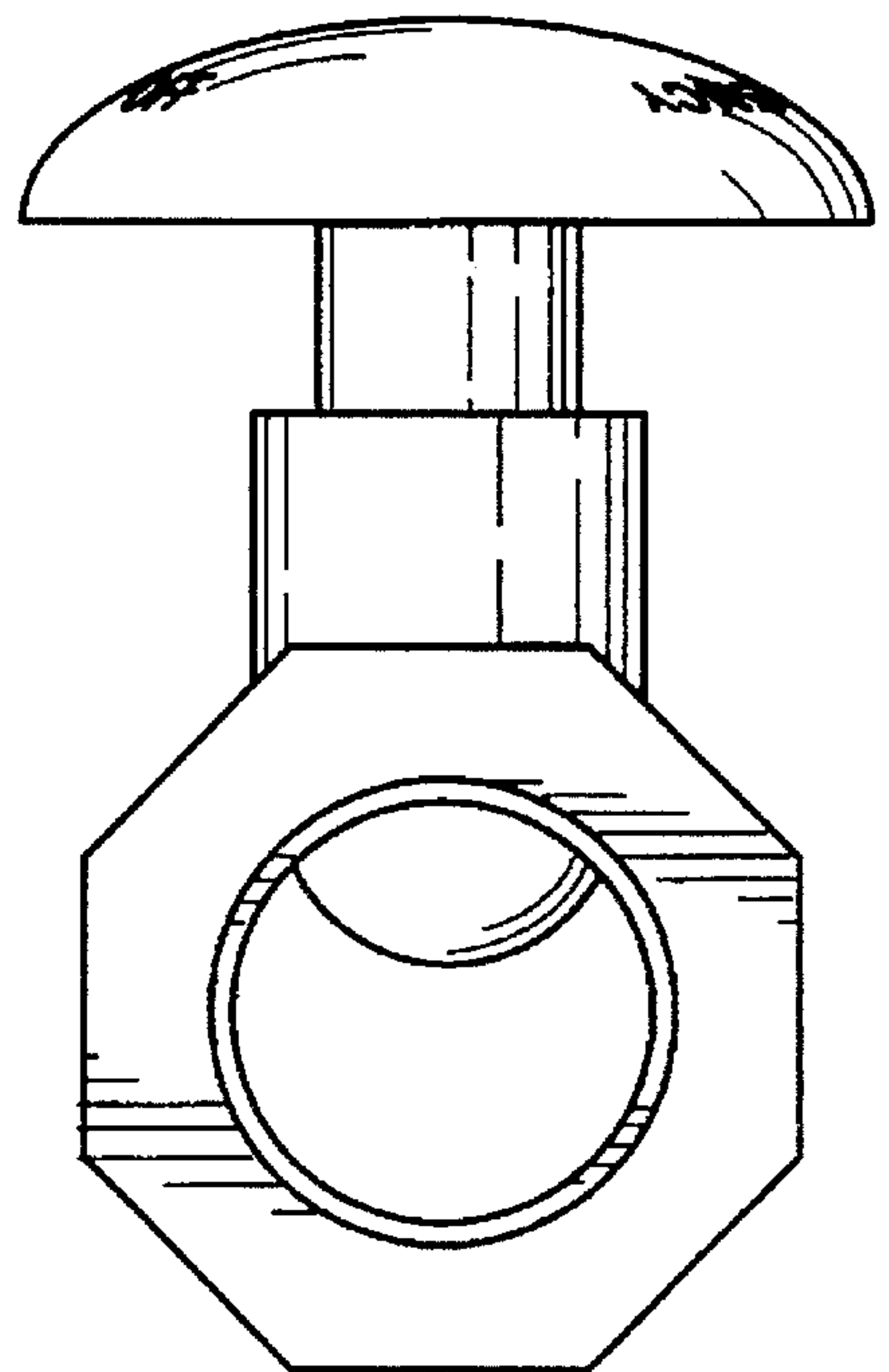


FIG. 3

FIG. 4

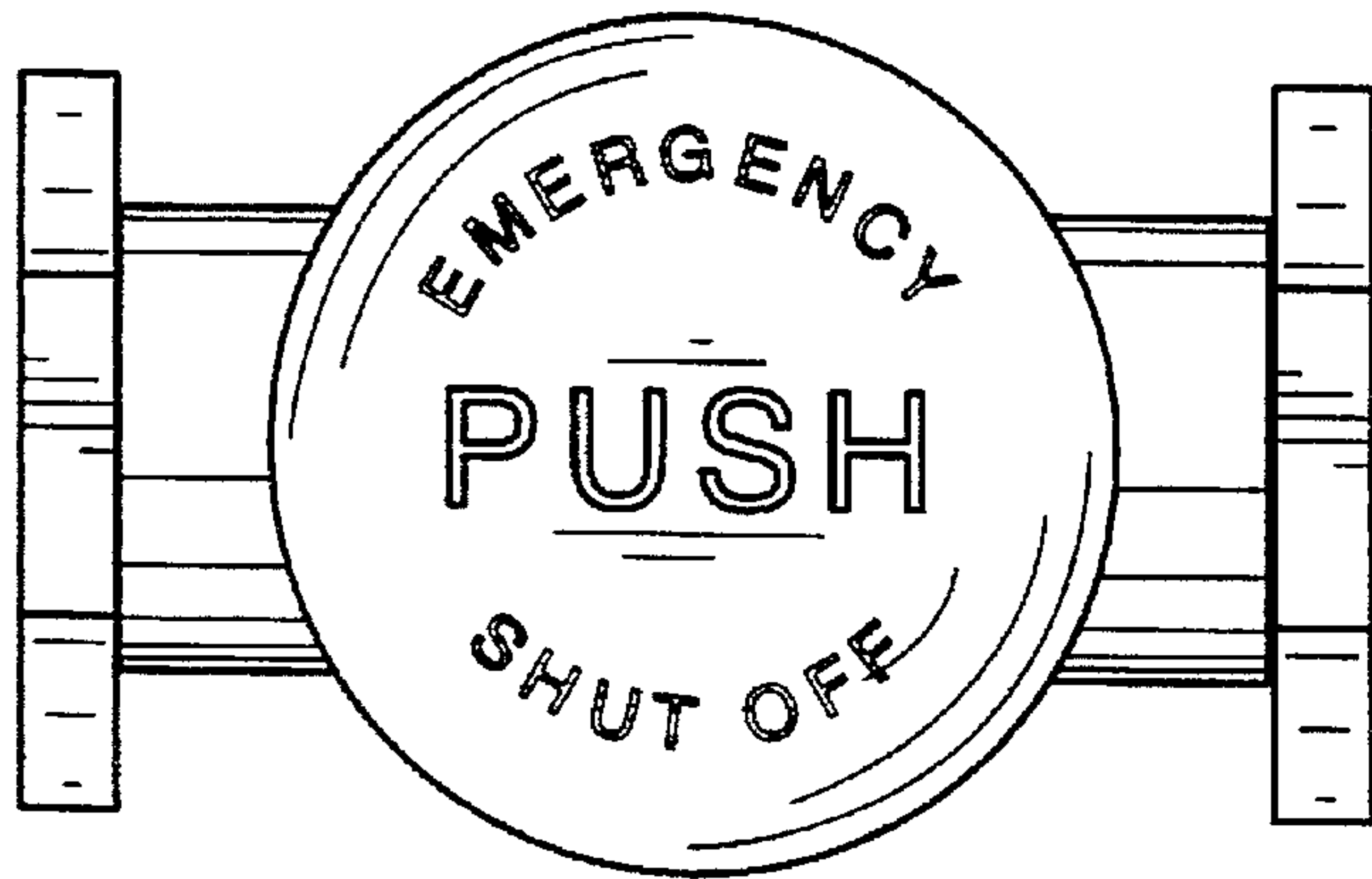


FIG. 5

