



US00D380525S

United States Patent [19]

[11] Patent Number: **Des. 380,525**

Gustafsson et al.

[45] Date of Patent: ****Jul. 1, 1997**

[54] **CONNECTION PIECE FOR MILK PIPELINE VALVE**

[75] Inventors: **Kenneth Gustafsson**, Sodertalje; **Lars Lallerstedt**, Stockholm, both of Sweden

[73] Assignee: **Tetra Laval Holdings & Finance S.A.**, Pully, Switzerland

[**] Term: **14 Years**

[21] Appl. No.: **31,501**

[22] Filed: **Nov. 29, 1994**

[30] Foreign Application Priority Data

May 31, 1994	[SE]	Sweden	94-1252
May 31, 1994	[SE]	Sweden	94-1253

[51] **LOC (6) Cl.** **23-01**

[52] **U.S. Cl.** **D23/233**

[58] **Field of Search** **D23/233-237,**
D23/244-249; 119/14.01, 14.28, 14.41;
251/308, 173, 149.2, 31, 26, 305, 285;
137/550, 219; 123/549; 417/273

[56] References Cited

U.S. PATENT DOCUMENTS

3,820,506	6/1974	Conde .	
4,214,552	7/1980	Olander .	
4,366,772	1/1983	Panock .	
4,545,732	10/1985	Oberdorfer 417/273
5,071,103	12/1991	Hannwald 251/305
5,209,211	5/1993	Kopp et al. 123/549

FOREIGN PATENT DOCUMENTS

2637117	6/1977	Germany .
4003367	8/1991	Germany .
604544	4/1978	U.S.S.R. .

Primary Examiner—Louis S. Zarfes
Assistant Examiner—Eric Watterson
Attorney, Agent, or Firm—Hovey, Williams, Timmons & Collins

[57] CLAIM

The ornamental design for a connection piece for milk pipeline valve, as shown and described.

DESCRIPTION

FIG. 1 is a lower front right perspective view of a connection piece for milk pipeline valve in accordance with the present invention;

FIG. 2 is an upper left rear perspective view thereof;

FIG. 3 is a rear view thereof;

FIG. 4 is a bottom plan view thereof;

FIG. 5 is a left side elevational view thereof;

FIG. 6 is a front view thereof;

FIG. 7 is a top plan view thereof;

FIG. 8 is an inverted right side elevational view thereof;

FIG. 9 is a lower front right perspective view of the exchangeable upper part of the connection piece which is a component of the connection piece shown in FIGS. 1-8 hereof;

FIG. 10 is an upper rear left perspective view thereof;

FIG. 11 is a rear elevational view thereof;

FIG. 12 is a bottom plan view thereof;

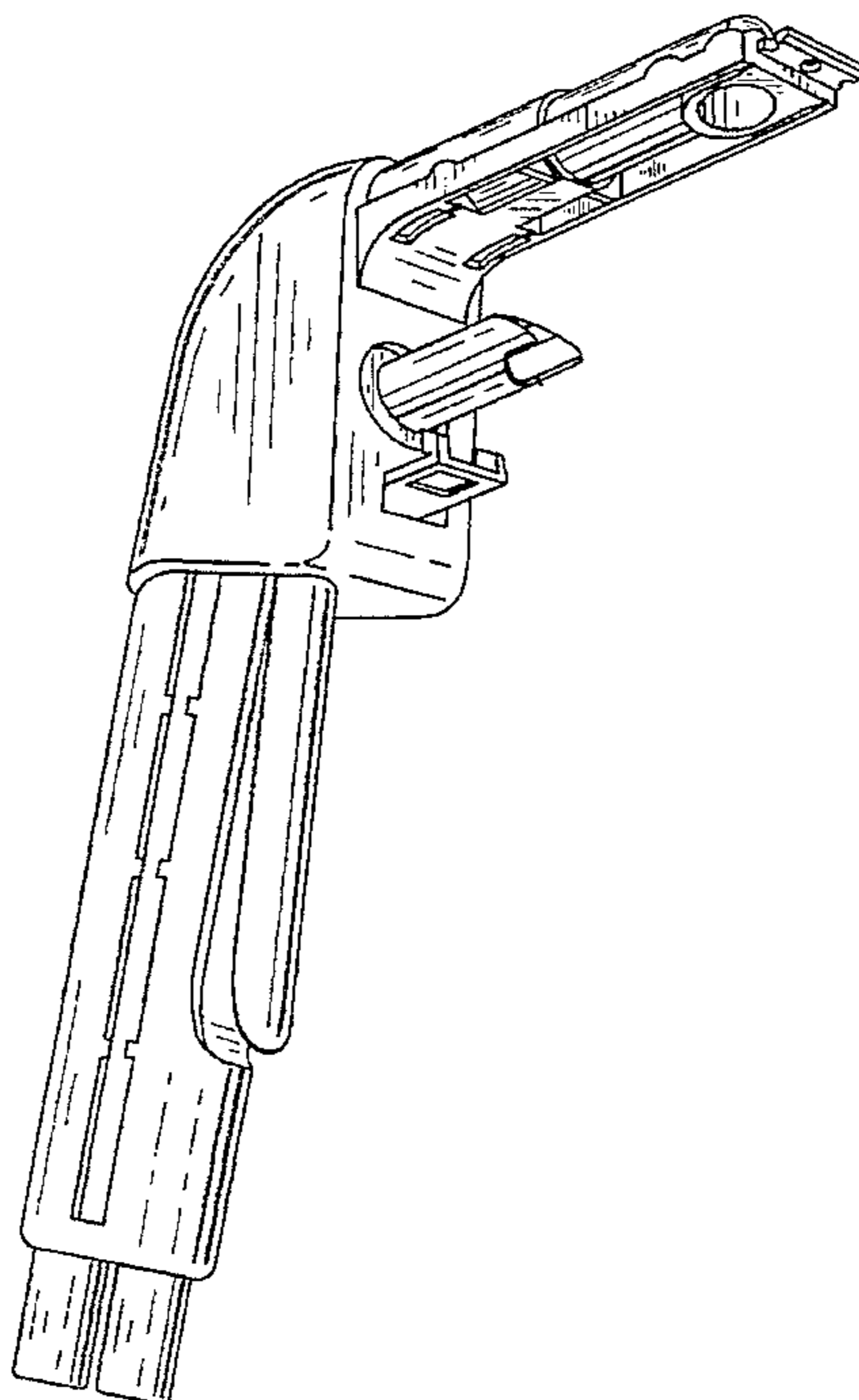
FIG. 13 is a left side elevational view thereof;

FIG. 14 is a front elevational view thereof;

FIG. 15 is a top plan view thereof; and,

FIG. 16 is an inverted right side elevational view thereof.

1 Claim, 3 Drawing Sheets



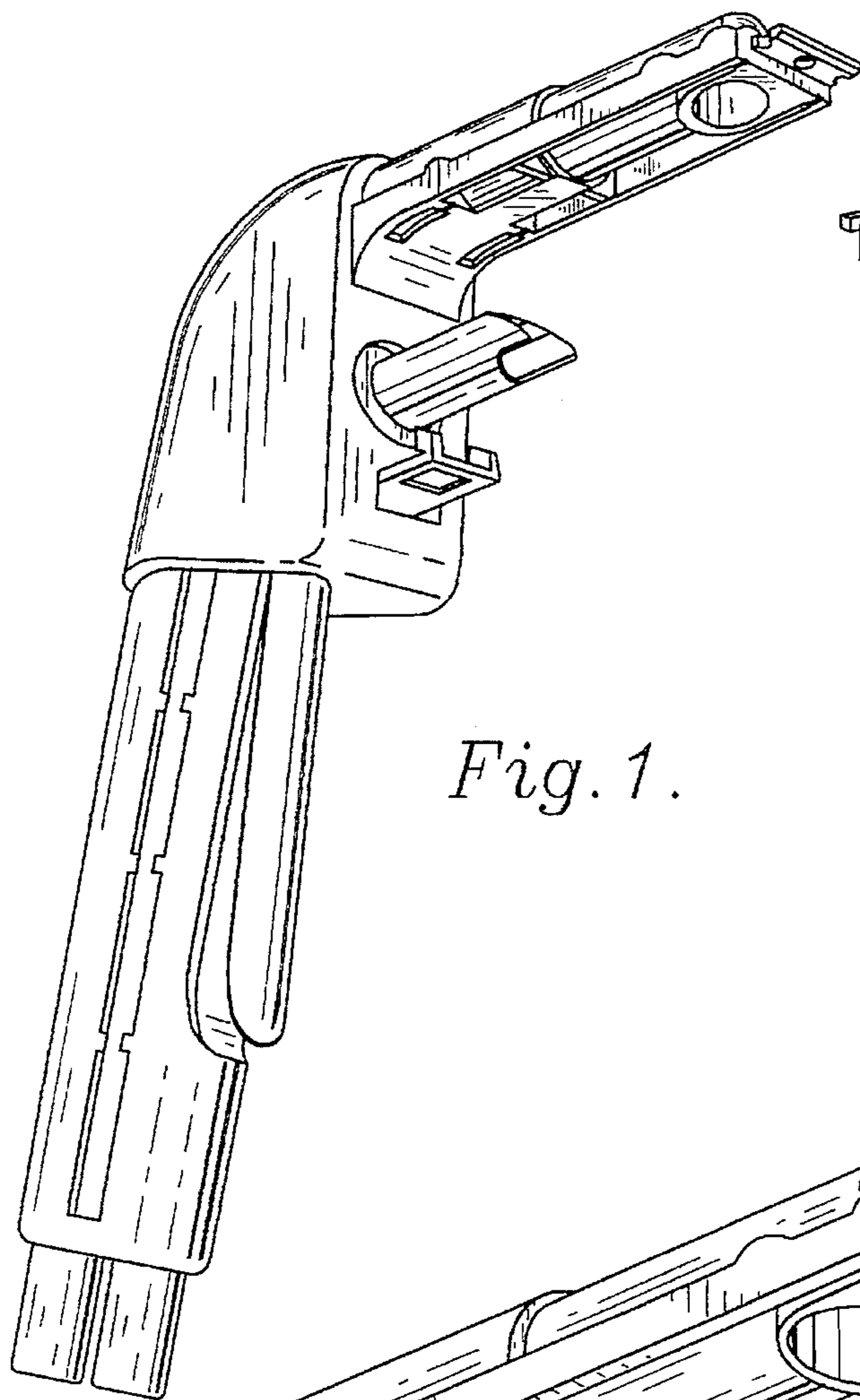


Fig. 1.

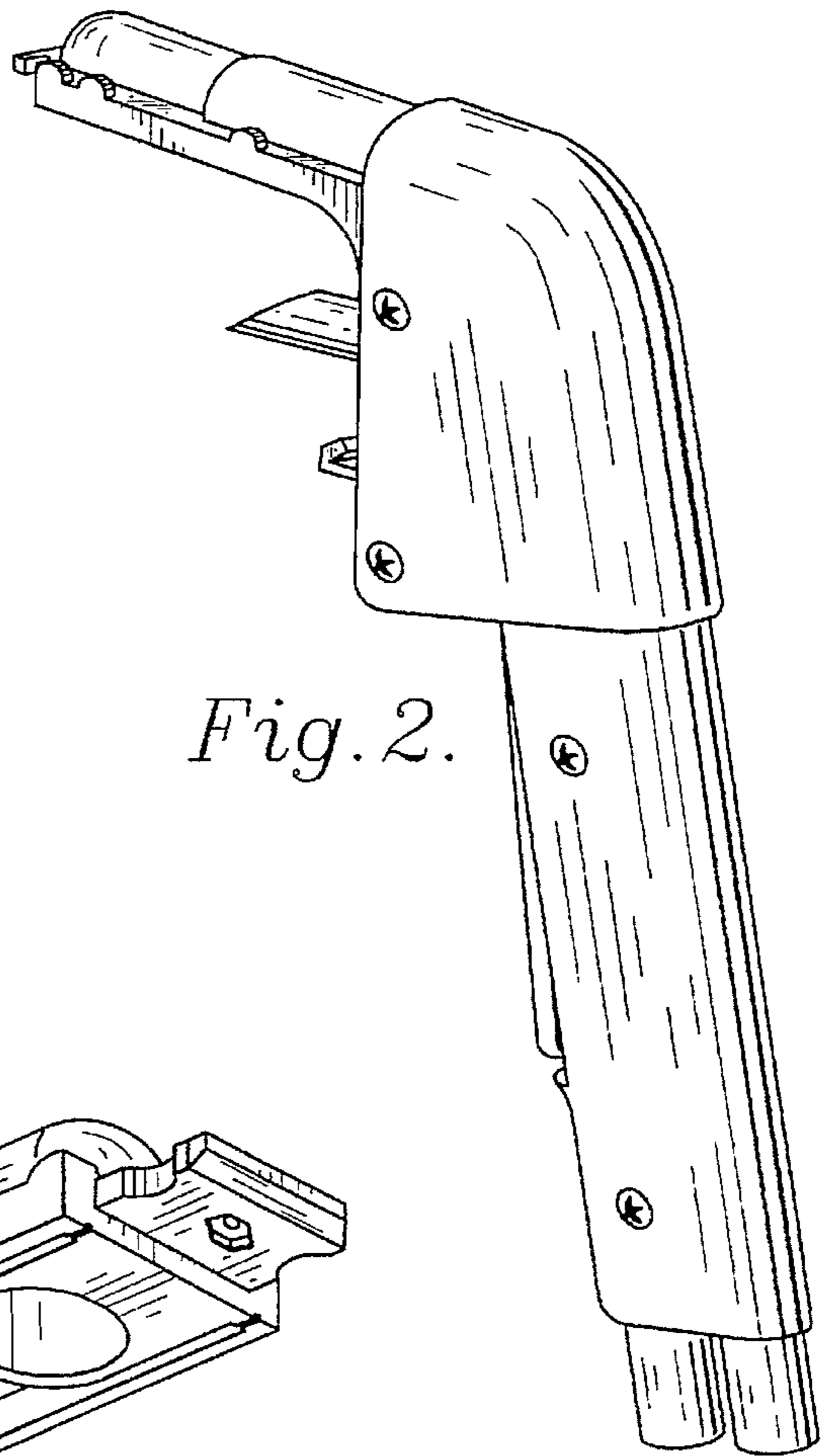


Fig. 2.

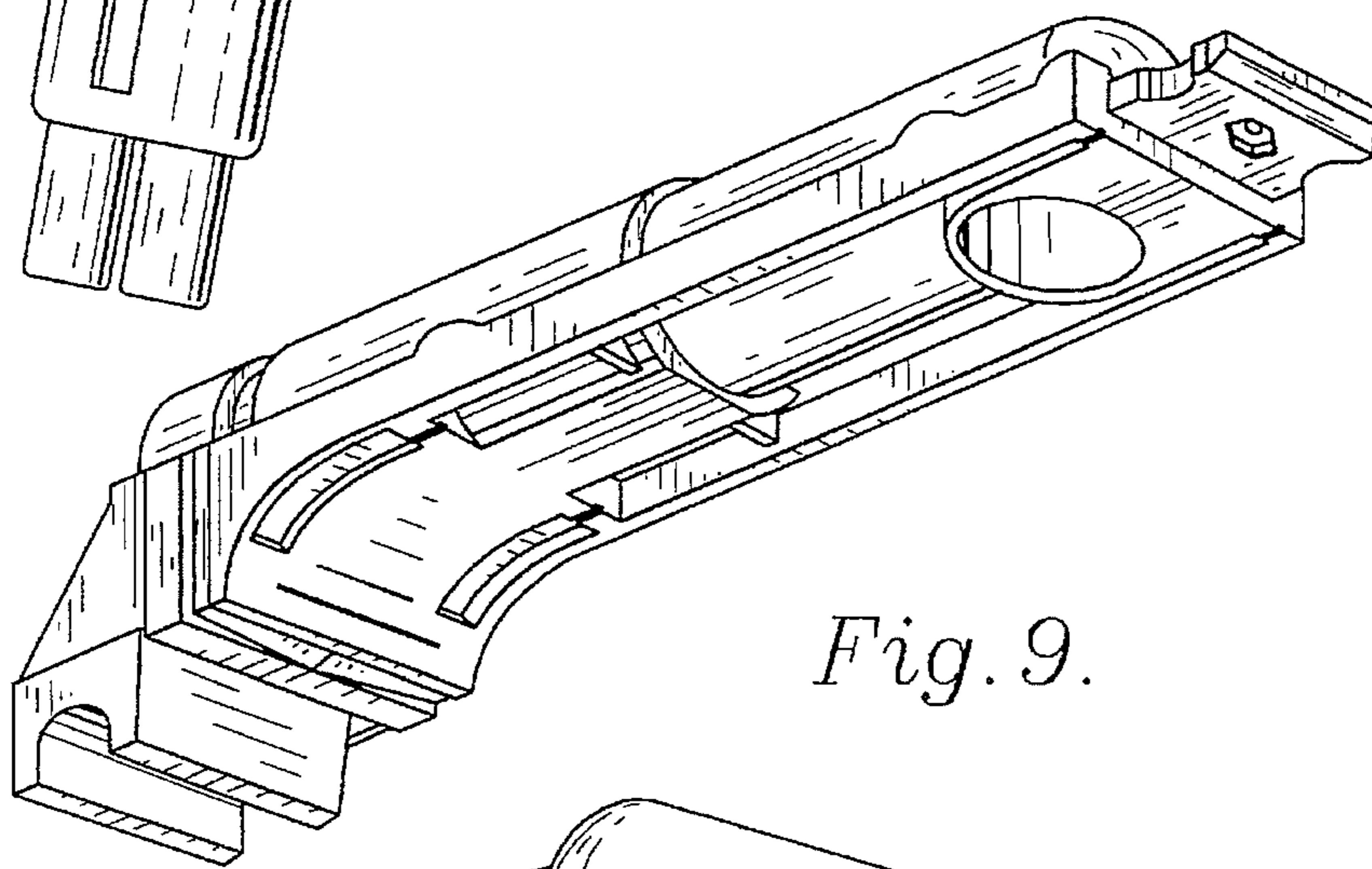


Fig. 9.

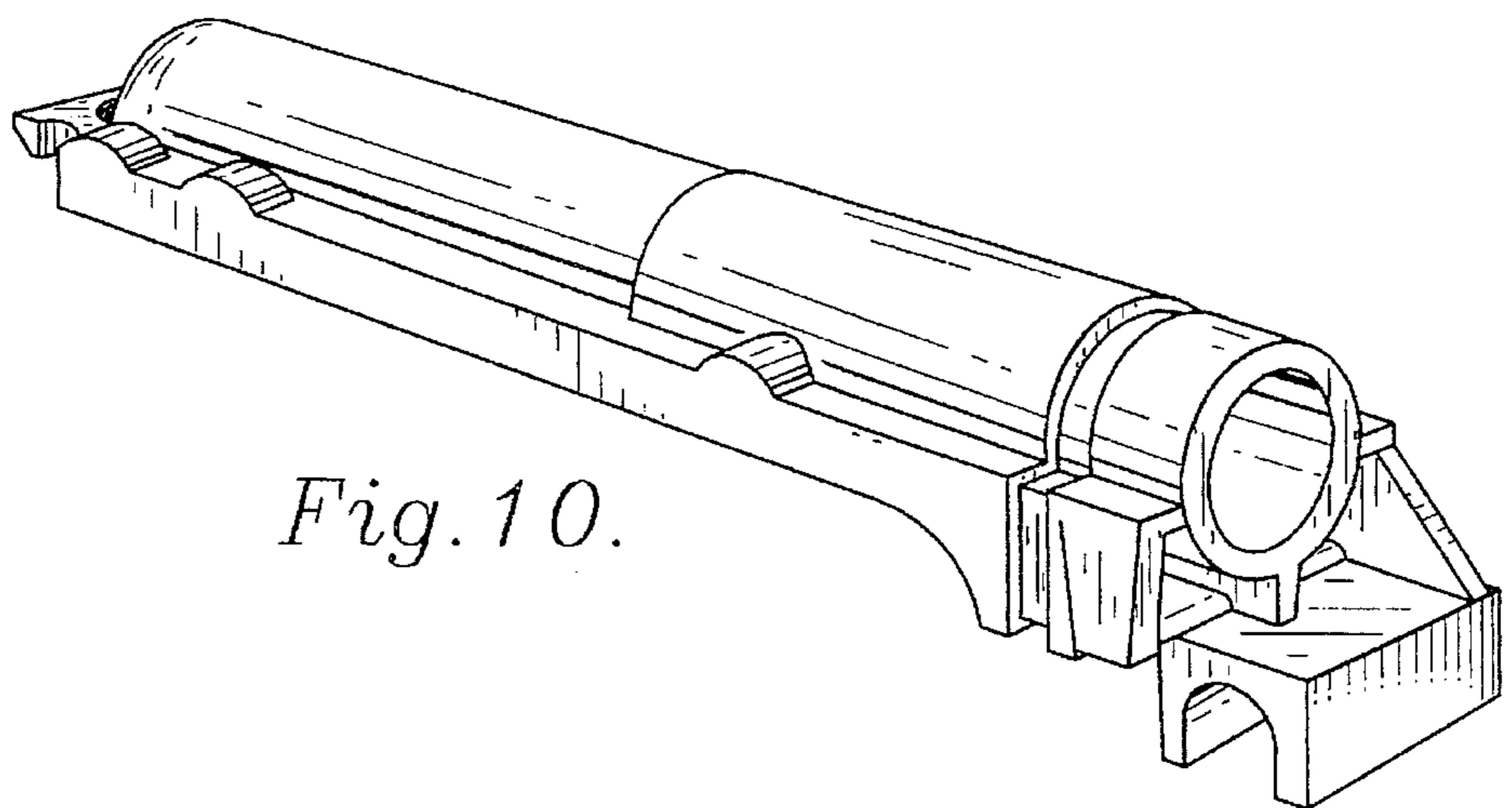


Fig. 10.

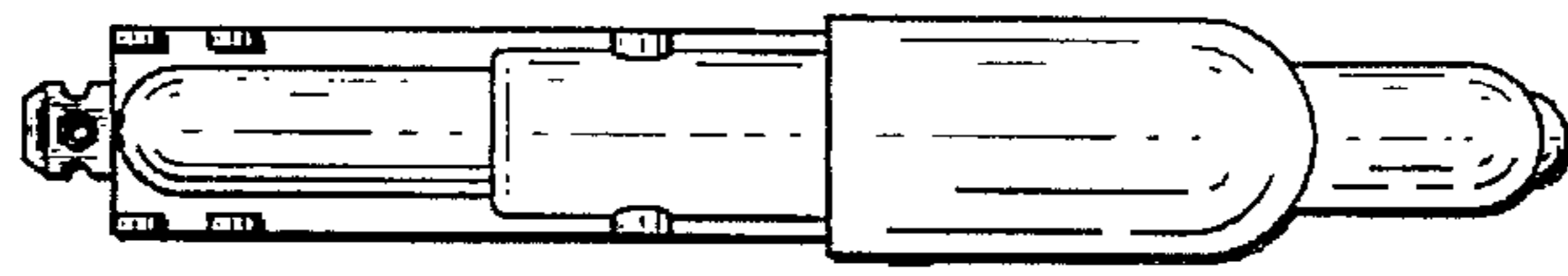


Fig. 7.

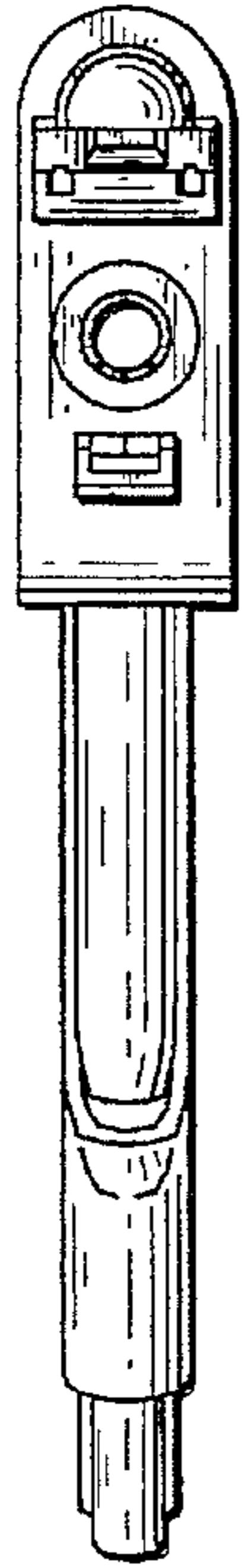


Fig. 6.

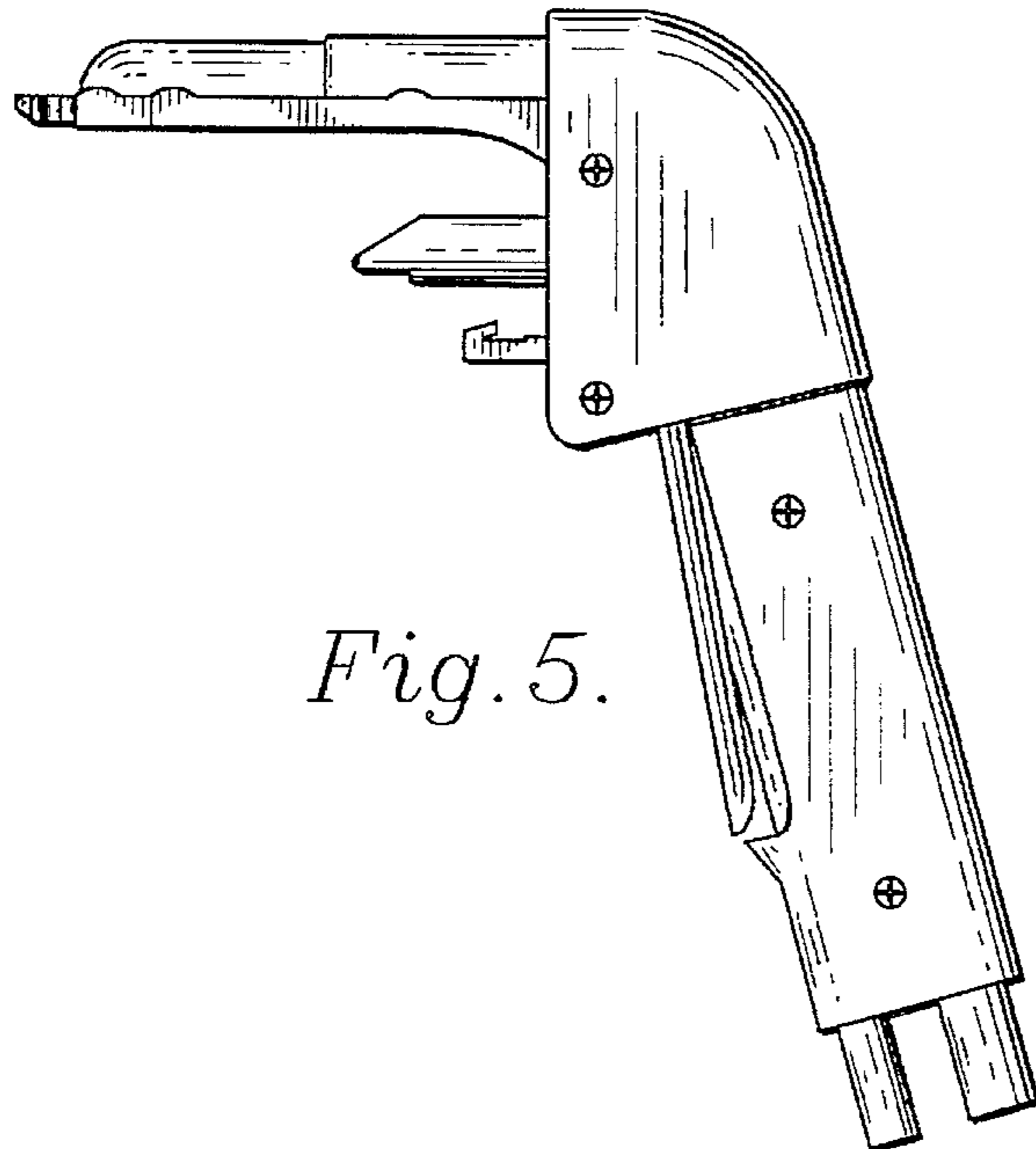


Fig. 5.



Fig. 3.

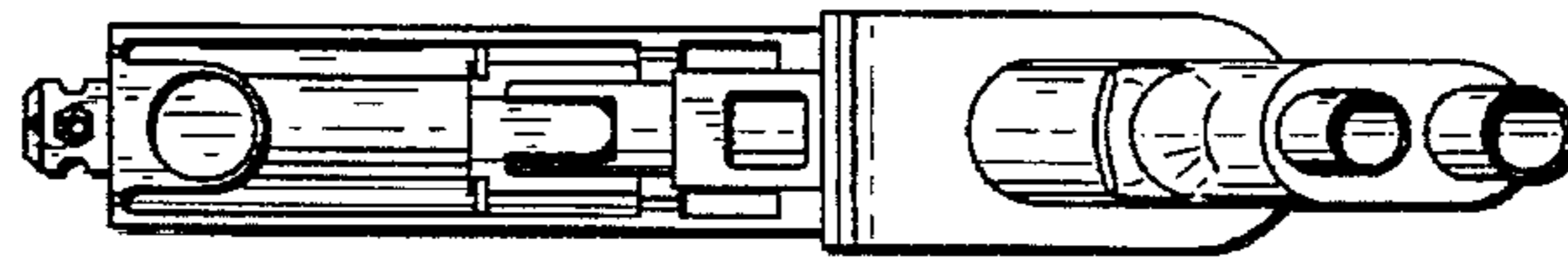


Fig. 4.

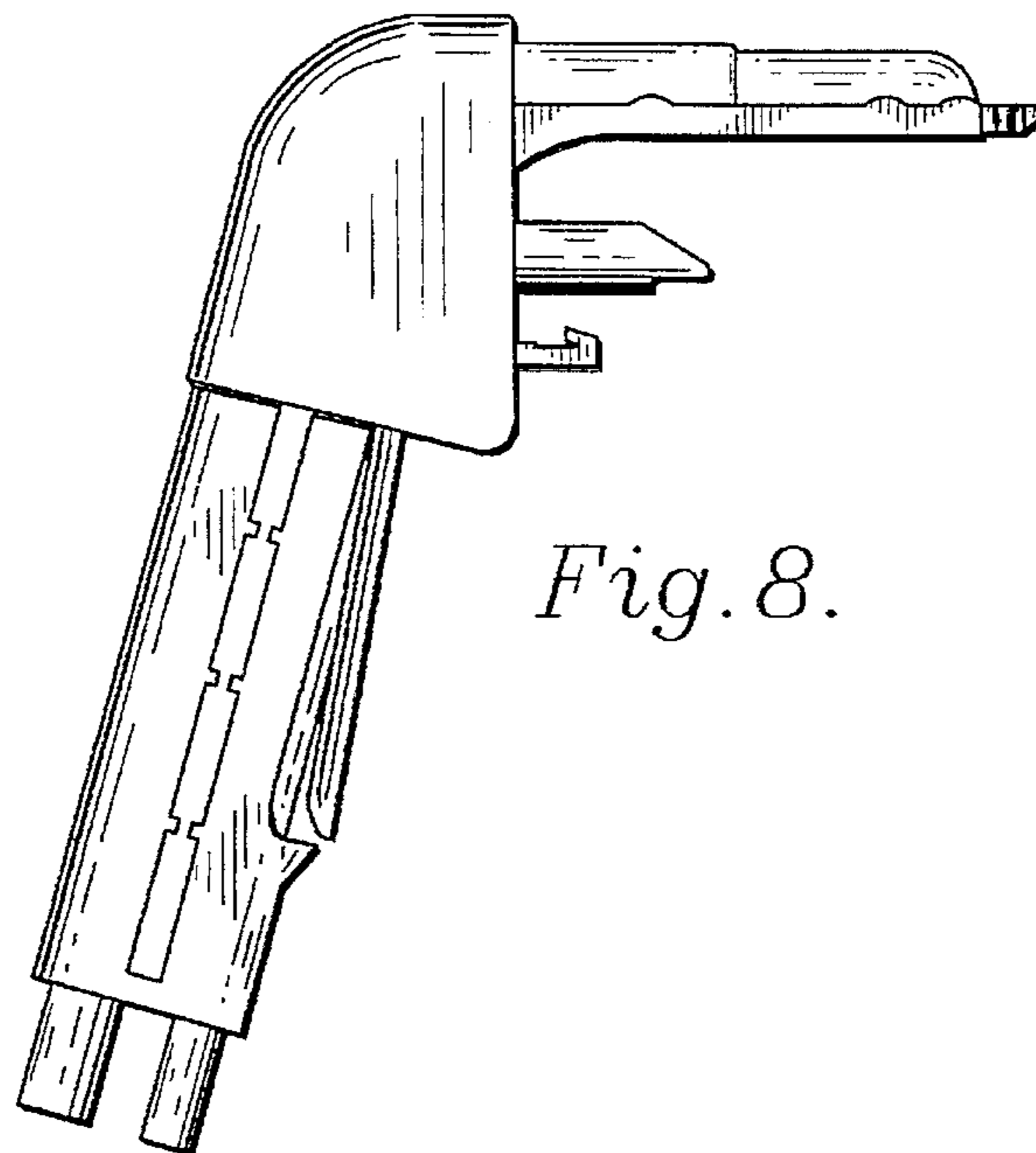


Fig. 8.

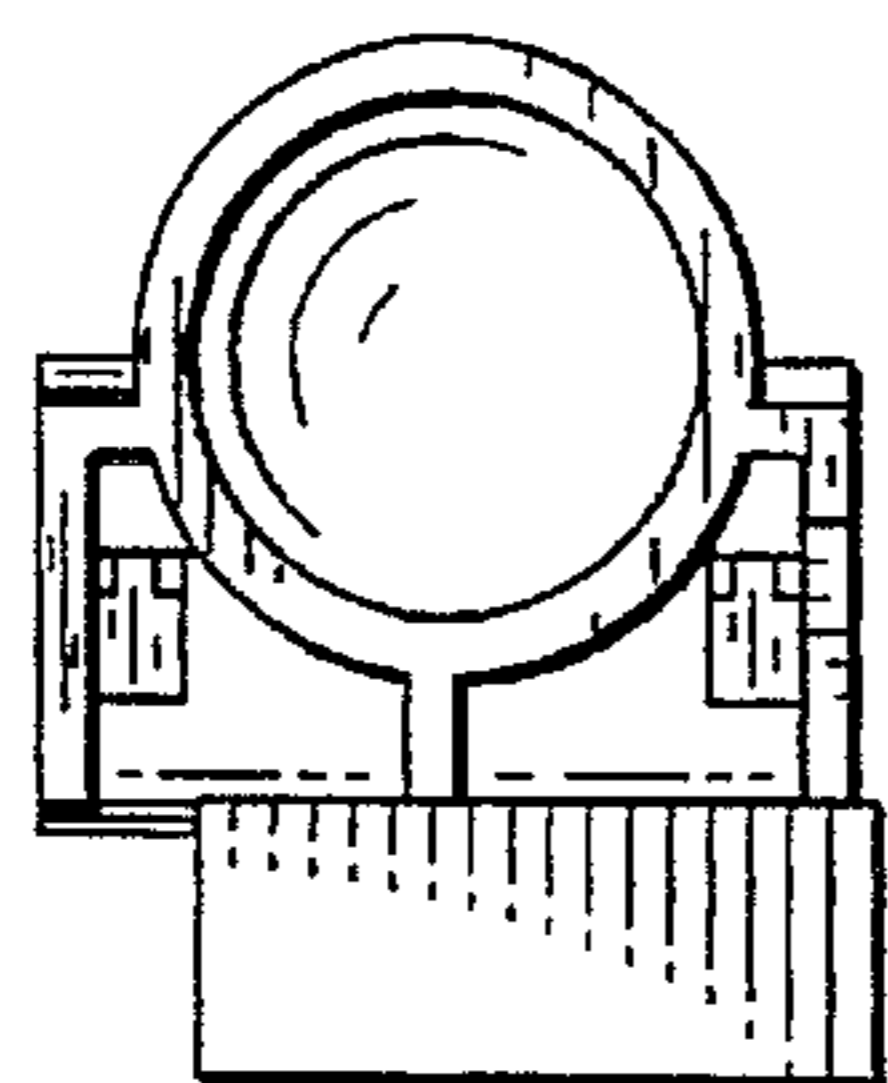


Fig. 11.

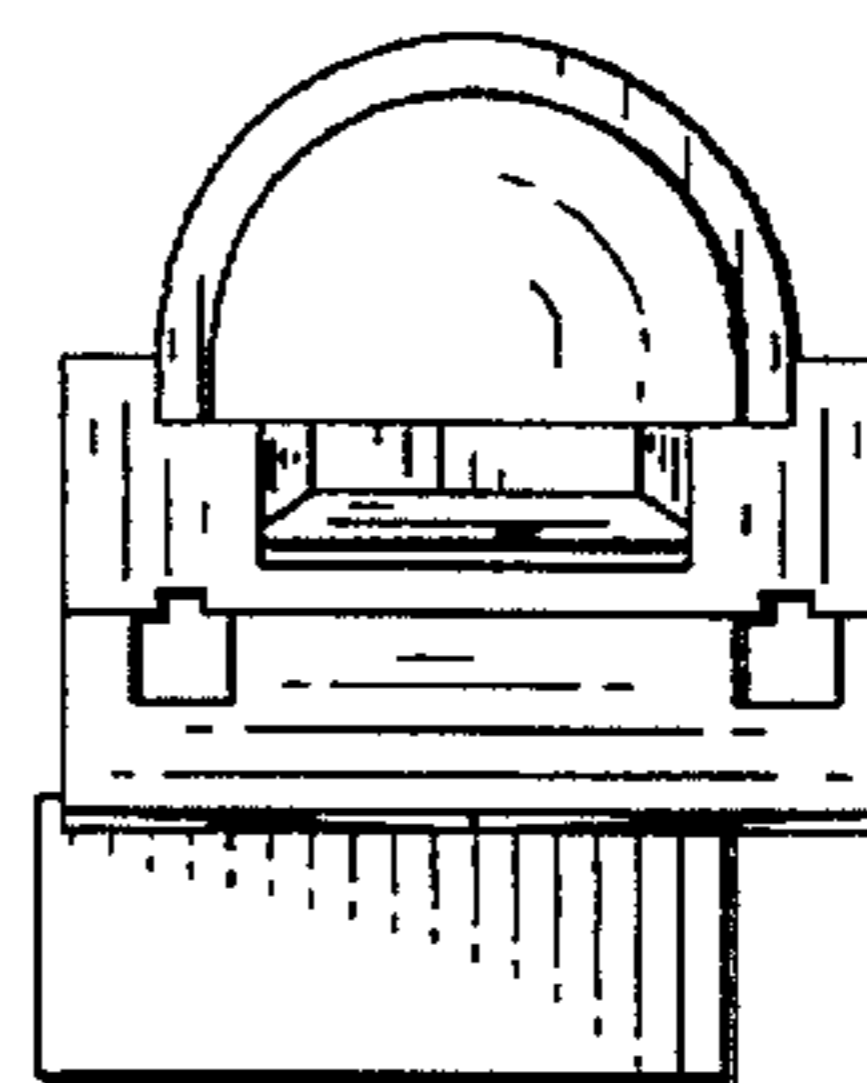


Fig. 14.

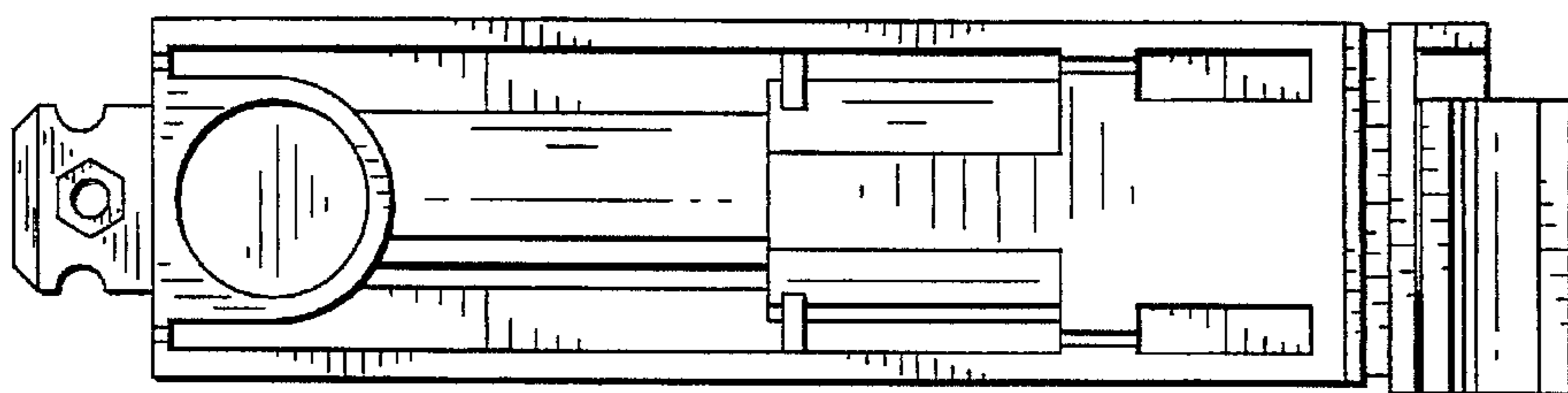


Fig. 12.

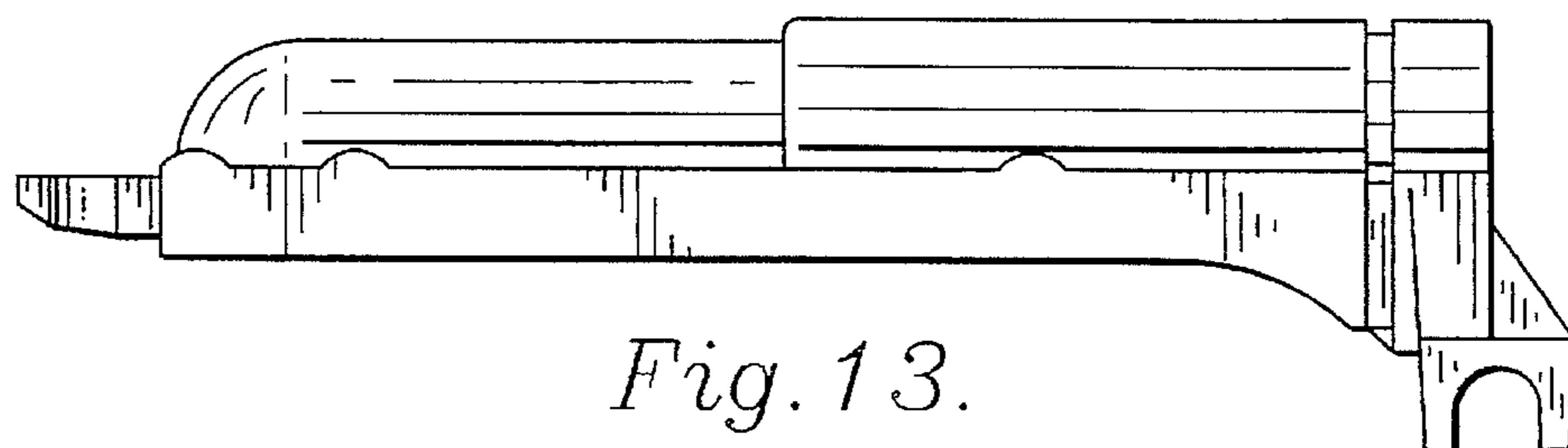


Fig. 13.

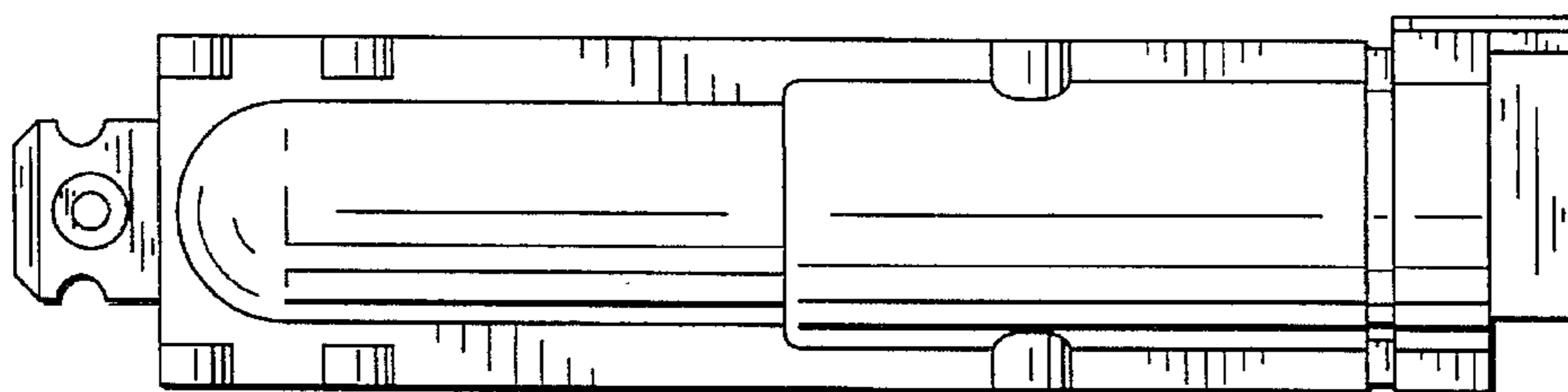


Fig. 15.

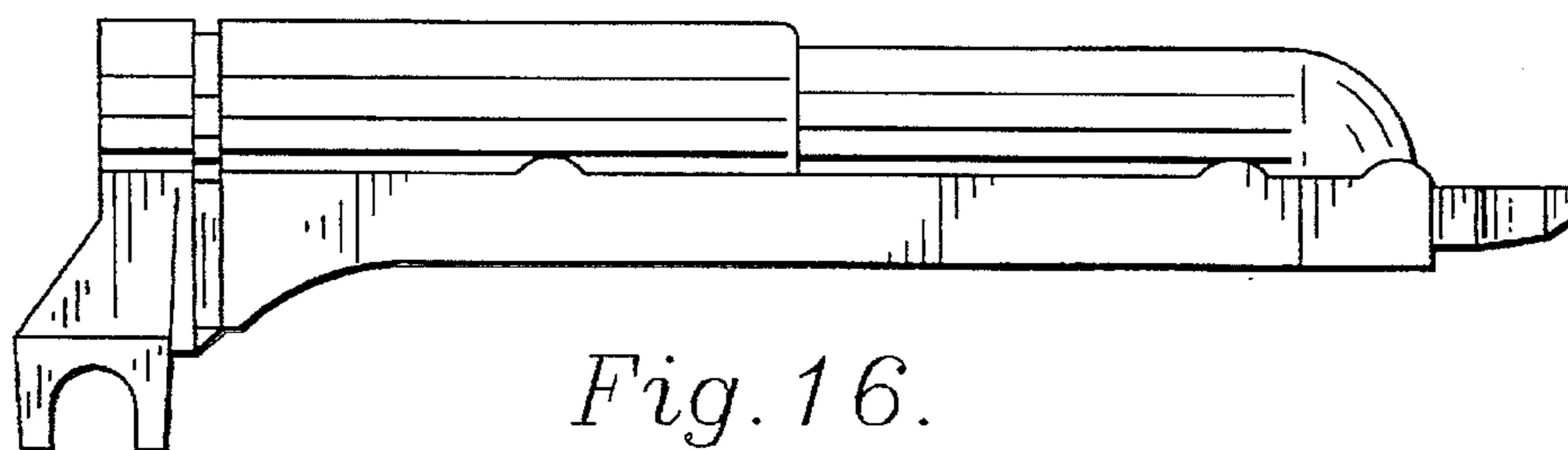


Fig. 16.