



US00D380522S

United States Patent [19]

Moore et al.

[11] Patent Number: **Des. 380,522**

[45] Date of Patent: ****Jul. 1, 1997**

[54] SET OF AIR TANK END PROTECTORS

5,427,268 6/1995 Downing et al. 220/581

[75] Inventors: **Harry B. Moore**, Marshfield; **Dean W. Felin**, Lebanon, both of Mo.

Primary Examiner—A. Hugo Word
Assistant Examiner—Robin V. Taylor
Attorney, Agent, or Firm—Shook, Hardy & Bacon L.L.P.

[73] Assignee: **Champion Products, Inc.**, Strafford, Mo.

[57] CLAIM

[**] Term: **14 Years**

The ornamental design for set of air tank end protectors, as shown and described.

[21] Appl. No.: **48,034**

DESCRIPTION

[22] Filed: **Dec. 18, 1995**

[51] LOC (6) Cl. **23-01**

[52] U.S. Cl. **D23/206**

[58] Field of Search D23/200, 202-206;
D9/500, 501, 503, 504, 434, 435, 436;
D7/510; 220/581, 582, 587

FIG. 1 is a perspective view of the set of air tank end protectors according to the present invention;
FIG. 2 is an elevational view of one side thereof, the other side being identical thereof;
FIG. 3 is an end elevational view of the set of air tank end protectors according to the present invention;
FIG. 4 is a top plan view of the set of air tank end protectors according to the present invention;
FIG. 5 is a bottom plan view of the set of air tank end protectors according to the present invention; and,
FIG. 6 is an elevational view of the set of air tank end protectors taken from the end opposite that visible in FIG. 3. The broken line showing is for illustrative purposes only and forms no part of the claimed design.

[56] References Cited

U.S. PATENT DOCUMENTS

D. 229,824	1/1974	Erickson	D9/500
D. 287,265	12/1986	Edwards	D23/206
D. 312,784	12/1990	Cochran	D9/434
D. 363,641	10/1995	Goto et al.	D7/510
4,964,529	10/1990	Houston	220/581
5,261,559	11/1993	Salvucci	220/582

1 Claim, 2 Drawing Sheets

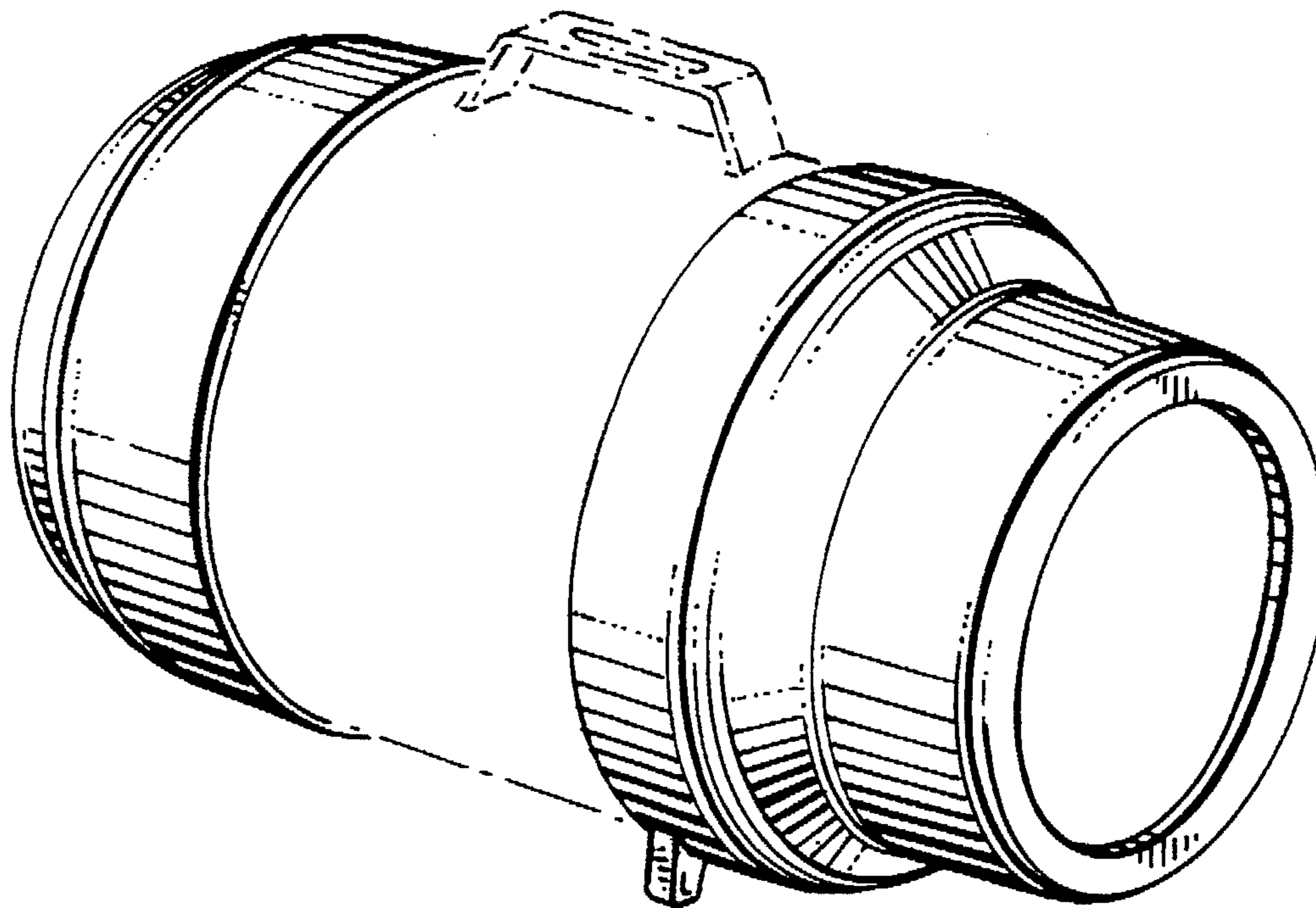


Fig. 2.

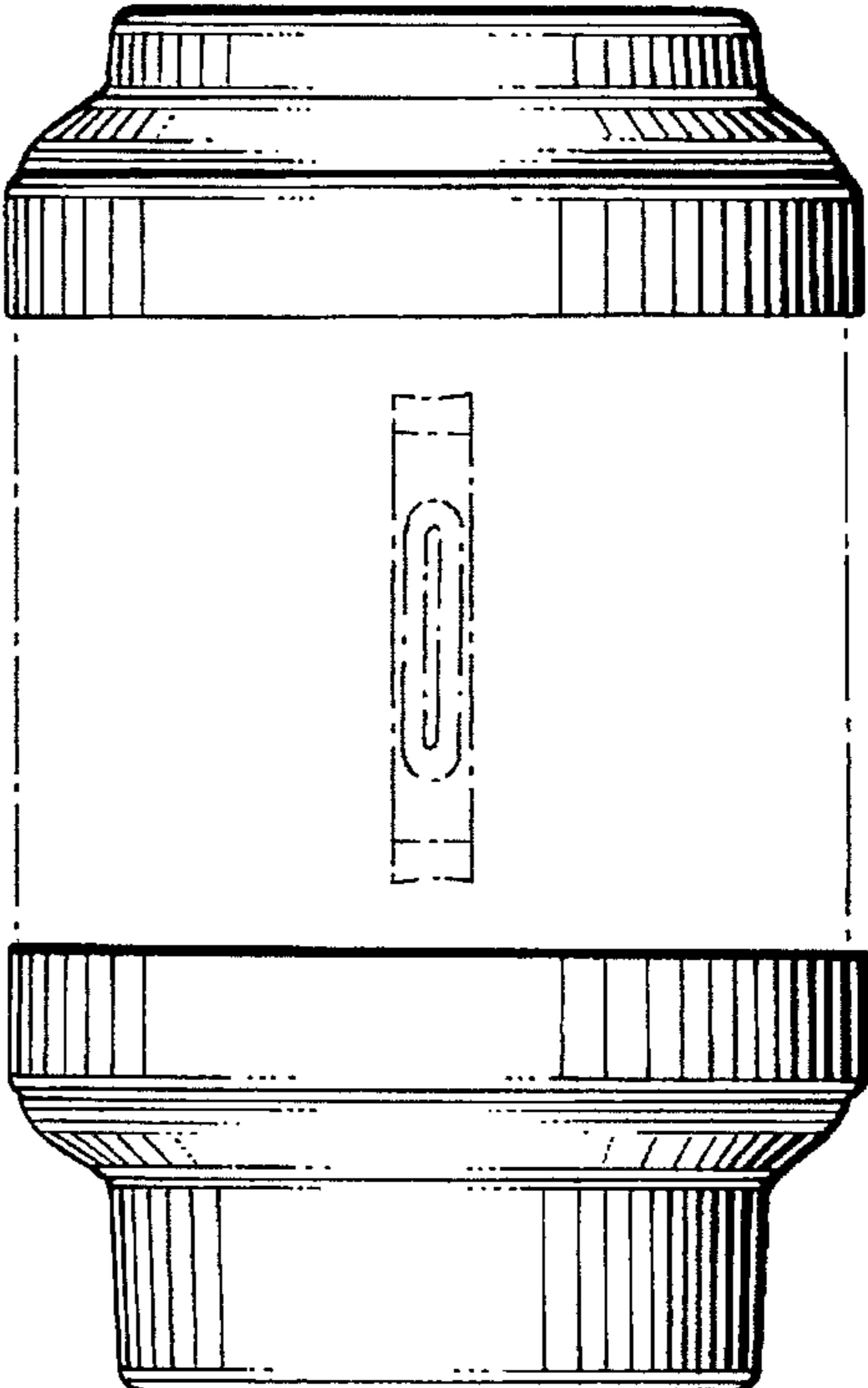
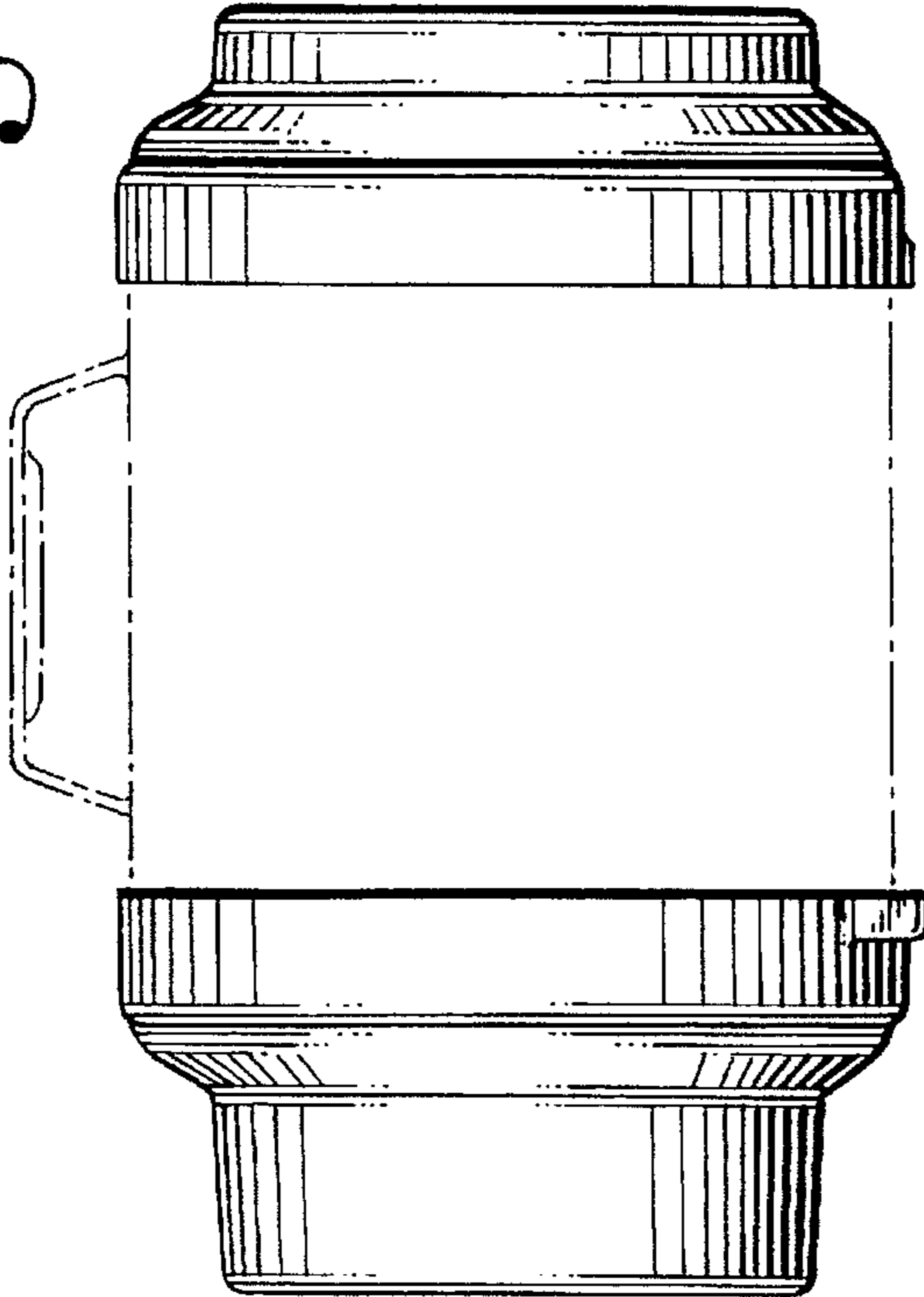


Fig. 1.

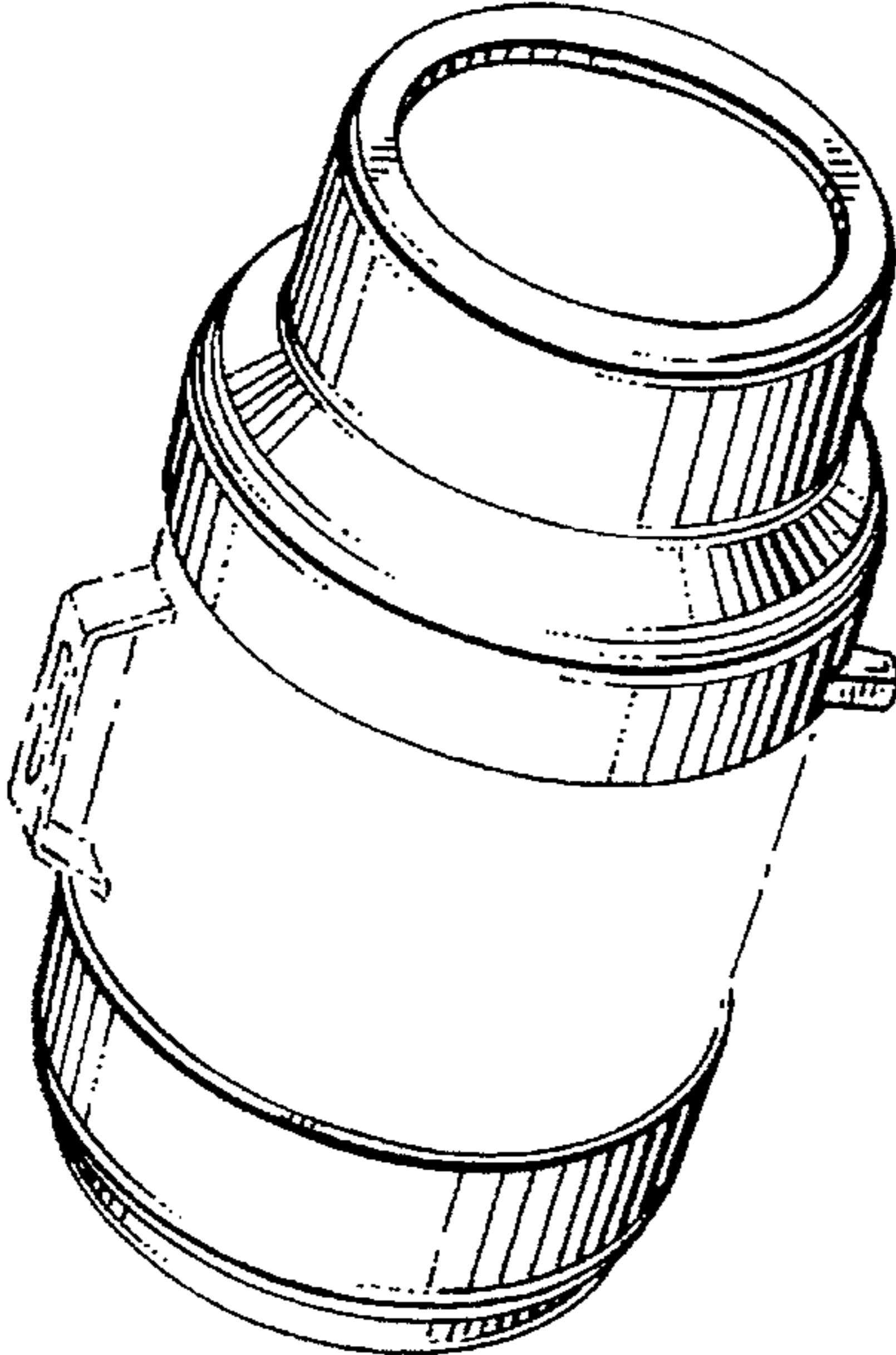
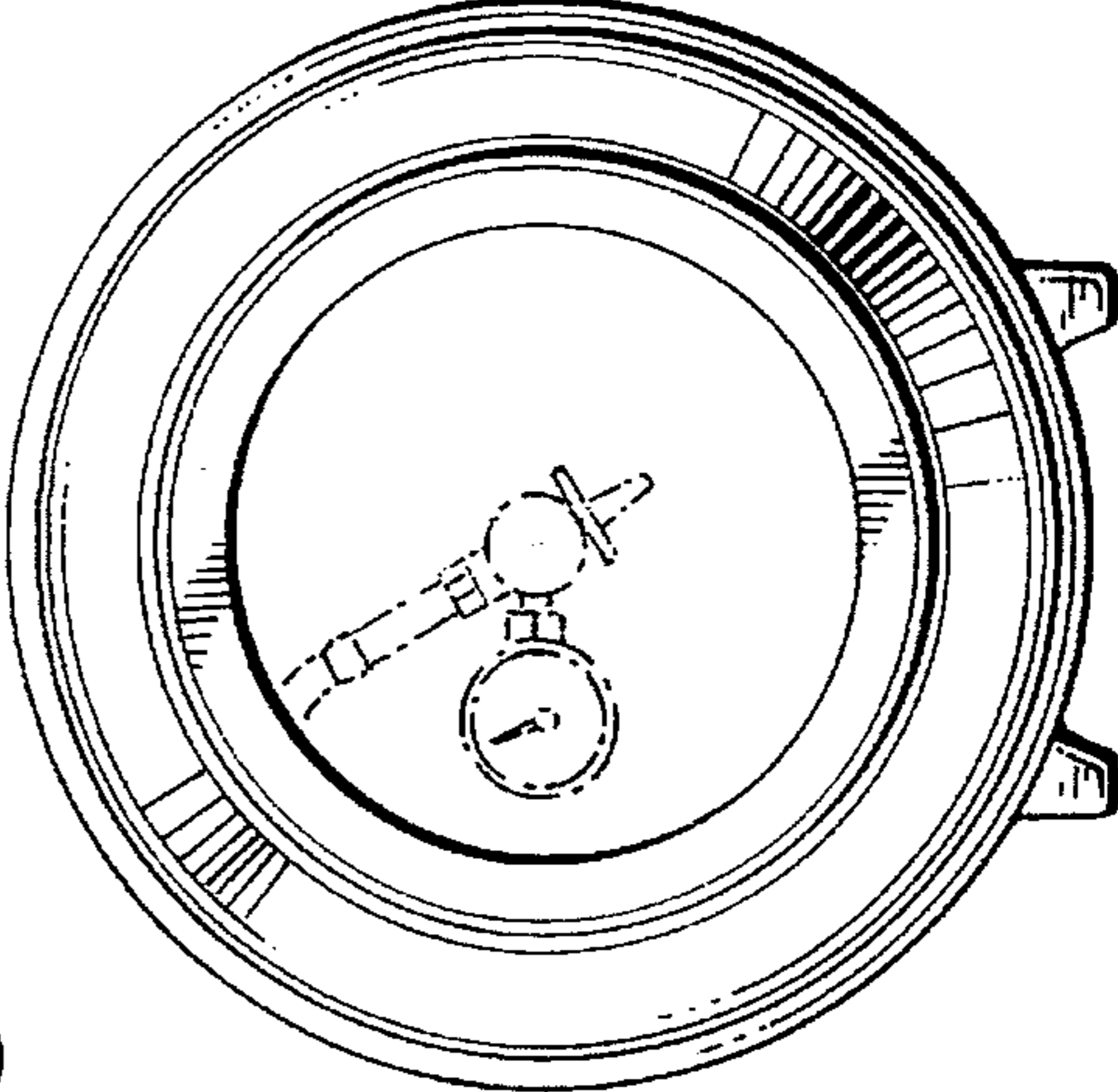


Fig. 4.

Fig. 3.



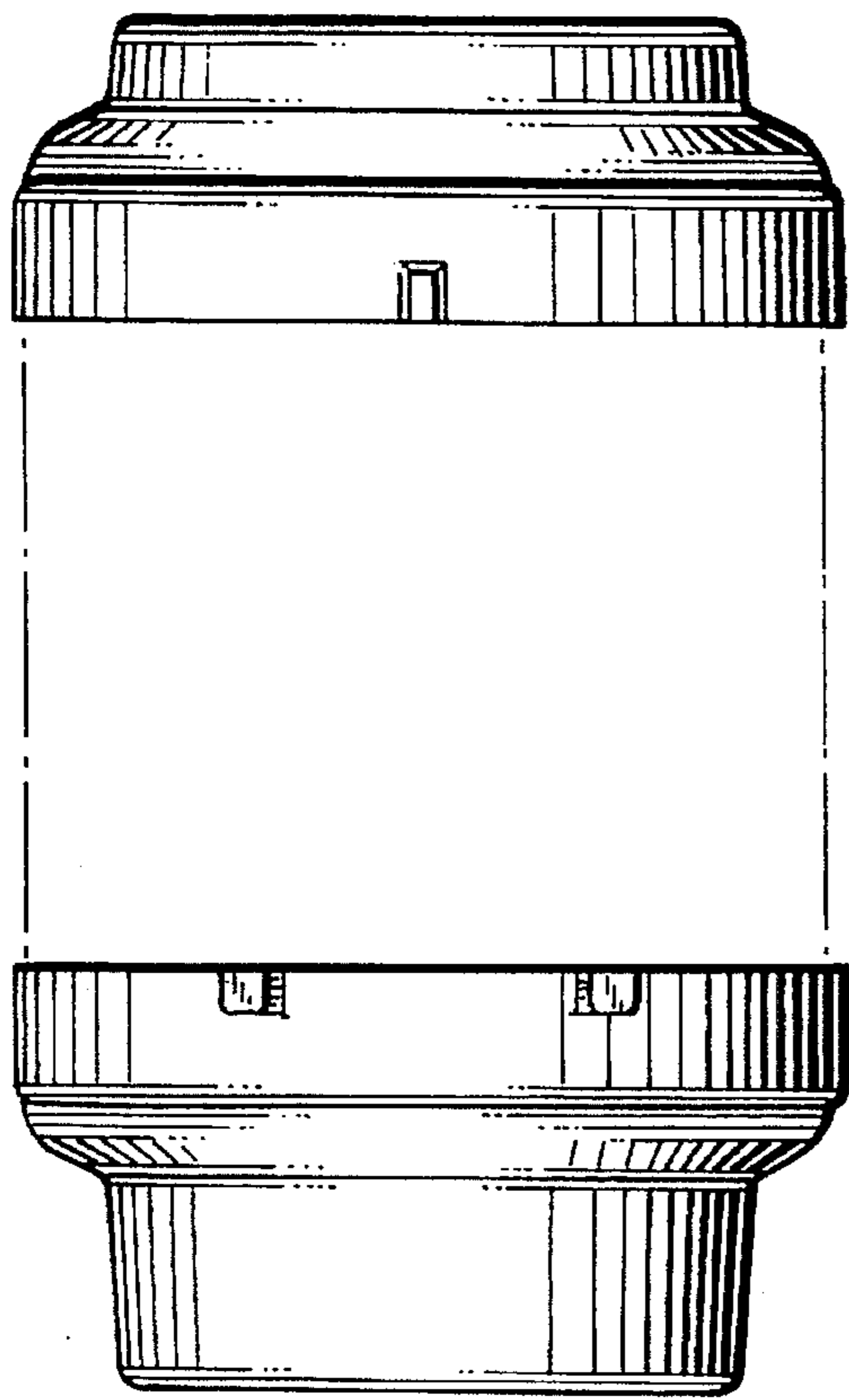


Fig. 5.

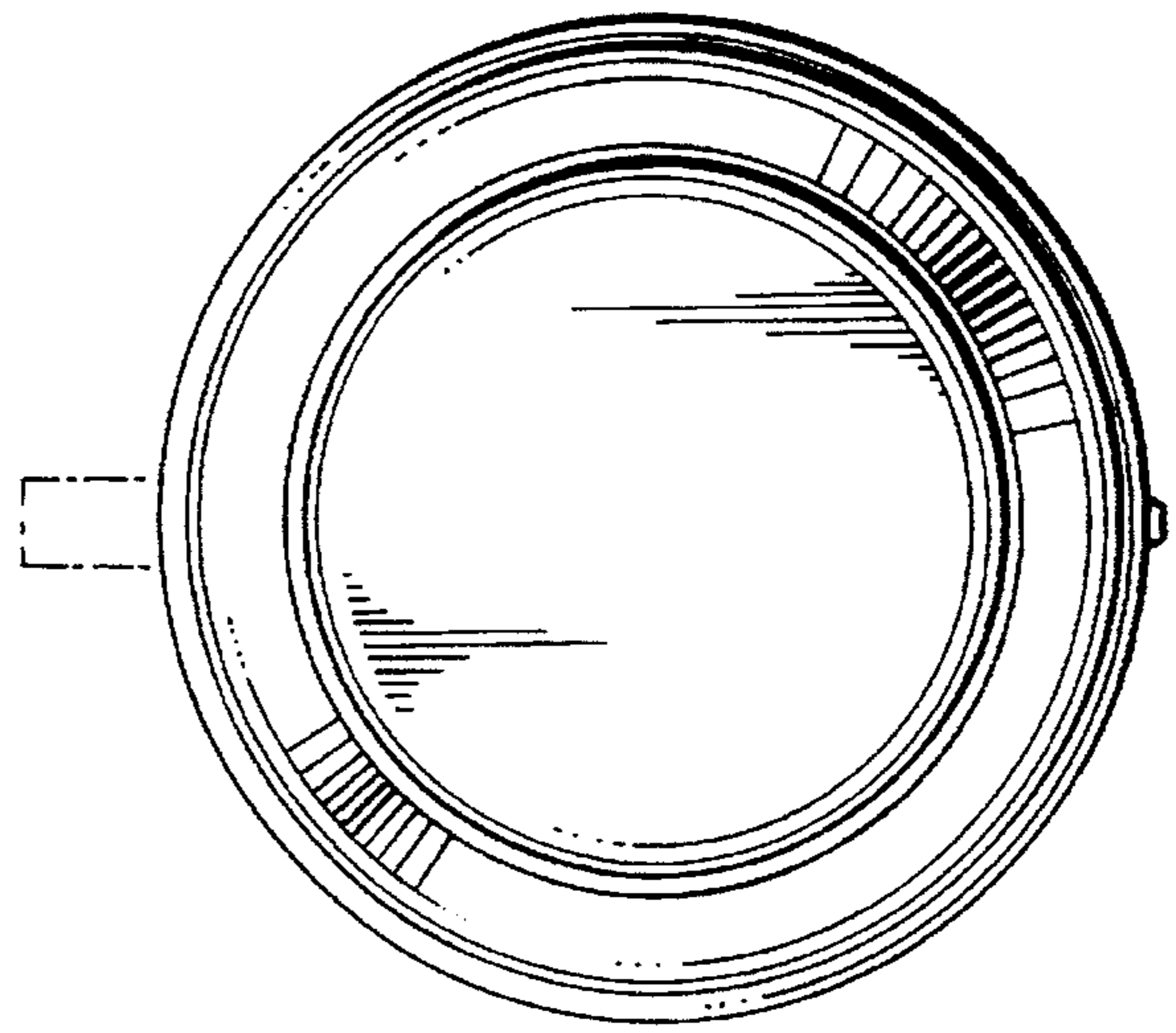


Fig. 6.