



US00D380521S

United States Patent [19] Robbins

[11] Patent Number: **Des. 380,521**
[45] Date of Patent: ****Jul. 1, 1997**

[54] **FISHING REEL**
[75] Inventor: **Richard J. Robbins**, Derby, Kans.
[73] Assignee: **Zebco Div. of Brunswick Corporation**,
Tulsa, Okla.
[**] Term: **14 Years**

2,835,455 5/1958 Isbell D22/140
3,028,115 4/1962 Hammer 242/311 X
3,970,263 7/1976 Hull 242/311
4,961,547 10/1990 Peterson et al. 242/311 X
5,316,238 5/1994 Simonson D22/140 X
5,377,924 1/1995 Takeuchi 242/311 X

[21] Appl. No.: **33,282**
[22] Filed: **Jan. 9, 1995**

OTHER PUBLICATIONS
Fishing World Sep./Oct. 1990, Inside Cover, Zebco Reel.
Primary Examiner—Doris V. Coles
Attorney, Agent, or Firm—Wood, Phillips, VanSanten, Clark
& Mortimer

[51] LOC (6) Cl. **22-05**
[52] U.S. Cl. **D22/141**
[58] Field of Search D22/140, 137,
D22/141; 242/224, 234-240, 310, 311,
323

[57] **CLAIM**
The ornamental design for a fishing reel, as shown and
described.

[56] **References Cited**

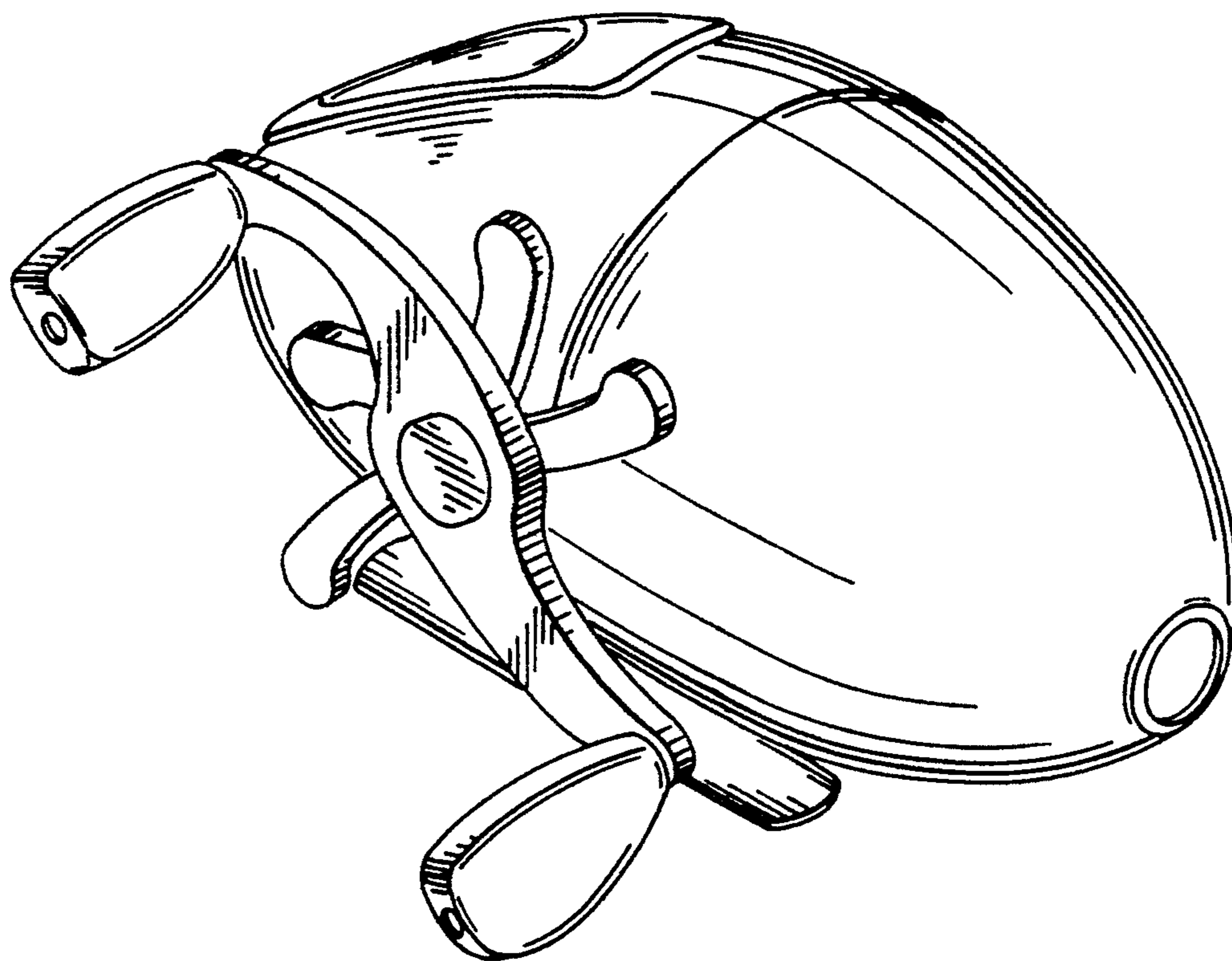
U.S. PATENT DOCUMENTS

D. 323,201 1/1992 Adams D22/140
D. 353,183 12/1994 Kirby D22/141
D. 355,698 2/1995 Robbins et al. D22/141
D. 358,447 5/1995 Robbins D22/141
2,154,122 4/1939 Brenneman D22/140 X

DESCRIPTION

FIG. 1 is a front, right and top perspective view of a fishing
reel showing my new design;
FIG. 2 is a plan view thereof;
FIG. 3 is a right side elevation view thereof;
FIG. 4 is a left side elevation view thereof;
FIG. 5 is a bottom view thereof;
FIG. 6 is a front elevation view thereof; and,
FIG. 7 is a rear elevation view thereof.

1 Claim, 3 Drawing Sheets



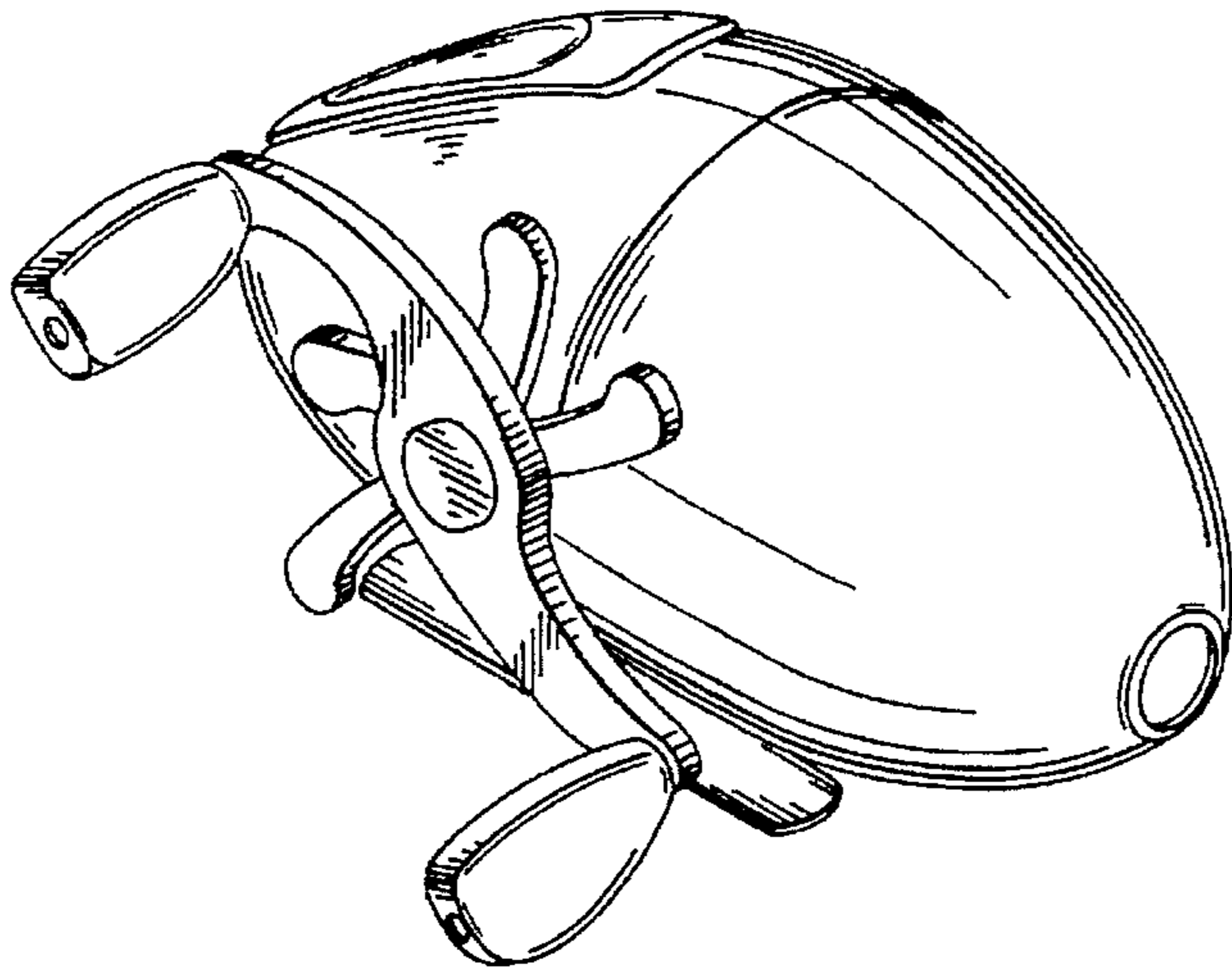


FIG. 1

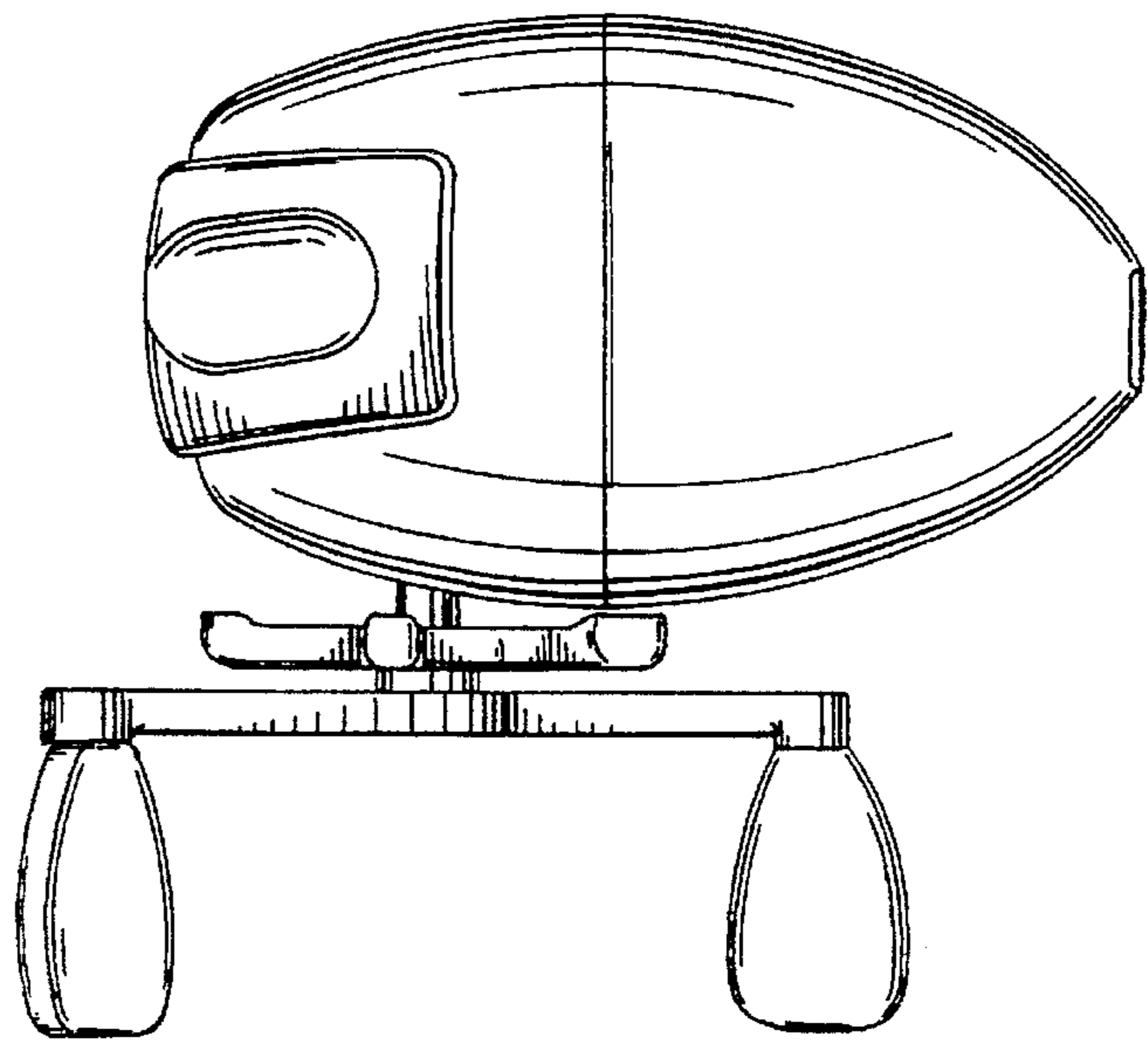


FIG. 2

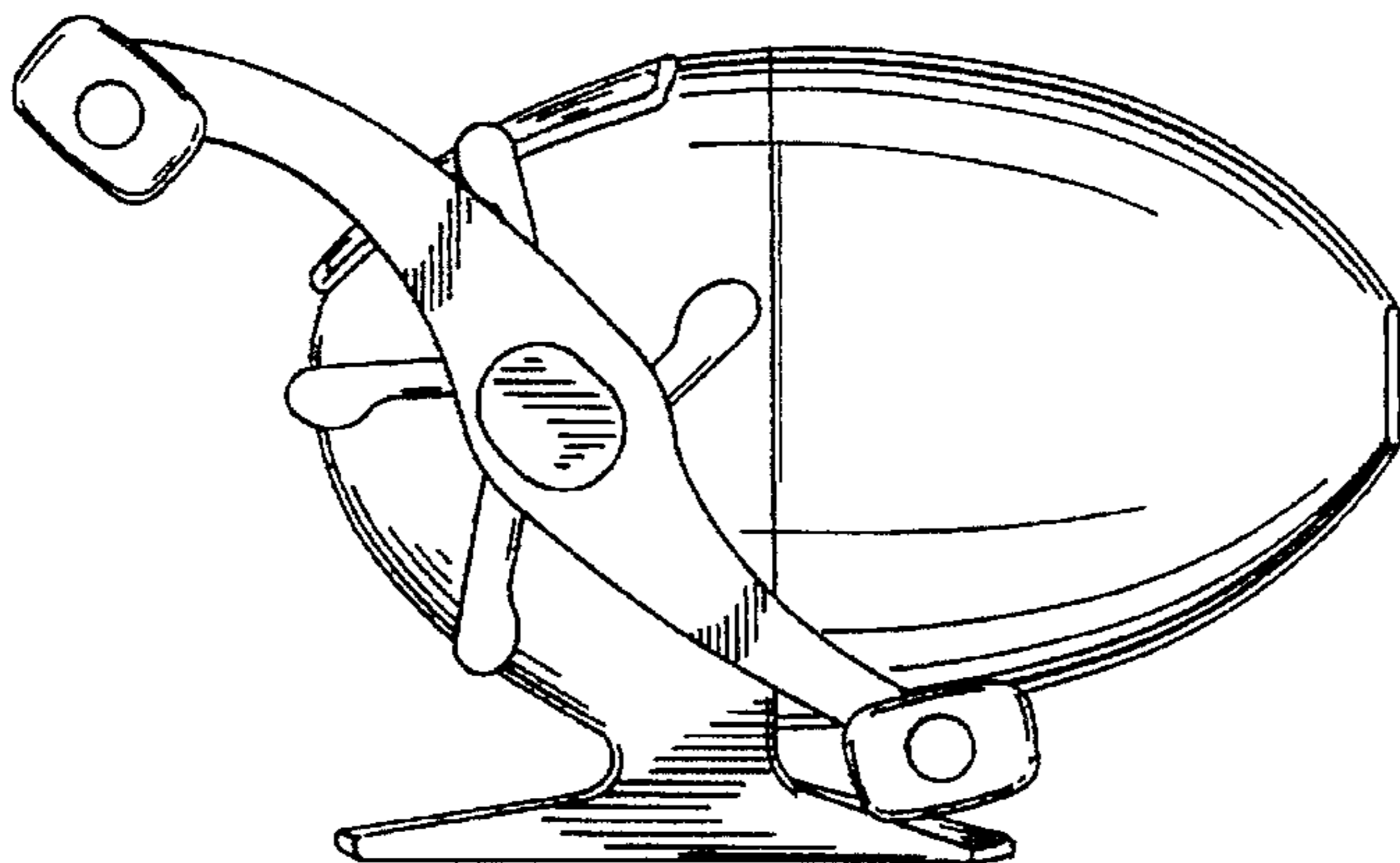


FIG. 3

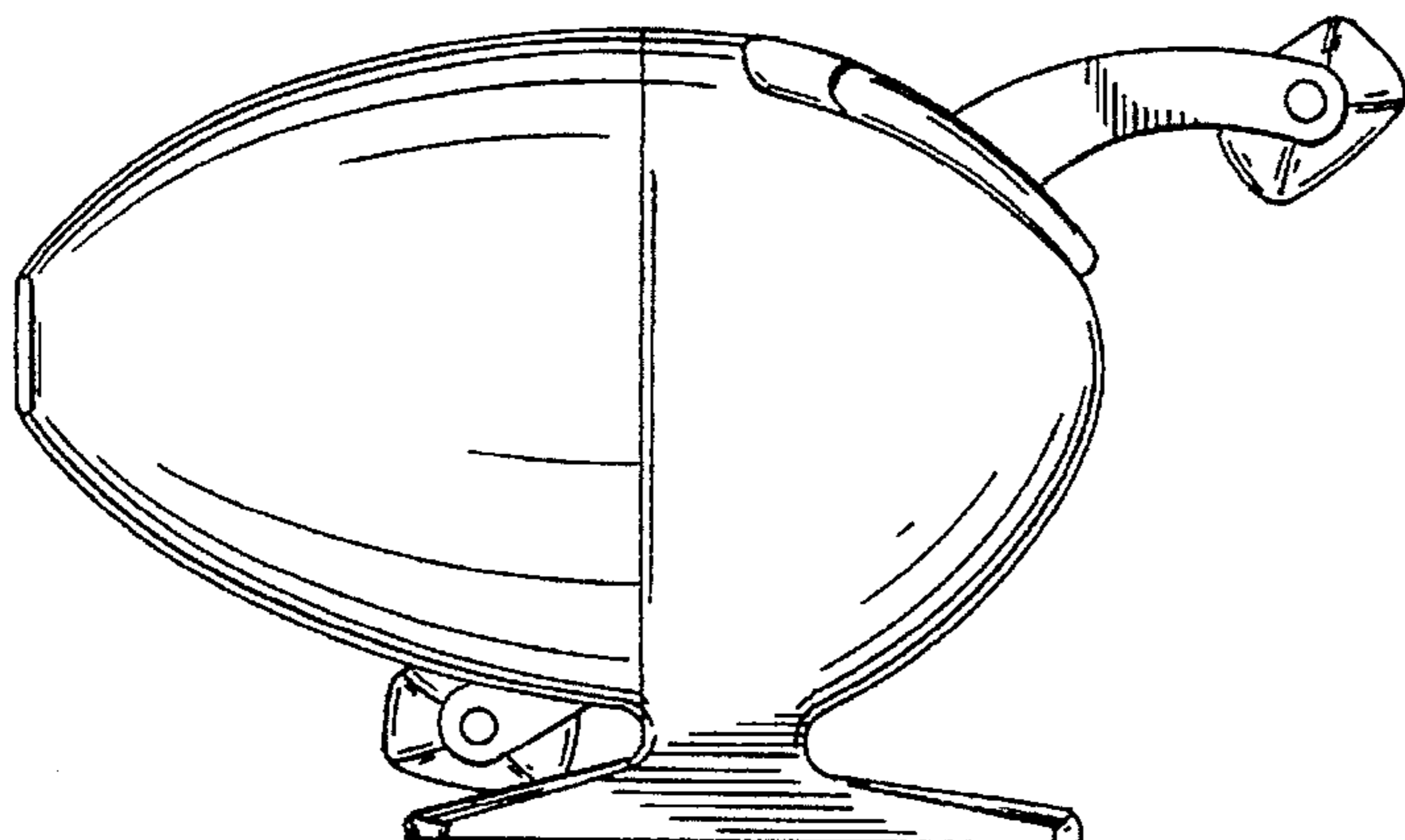


FIG. 4

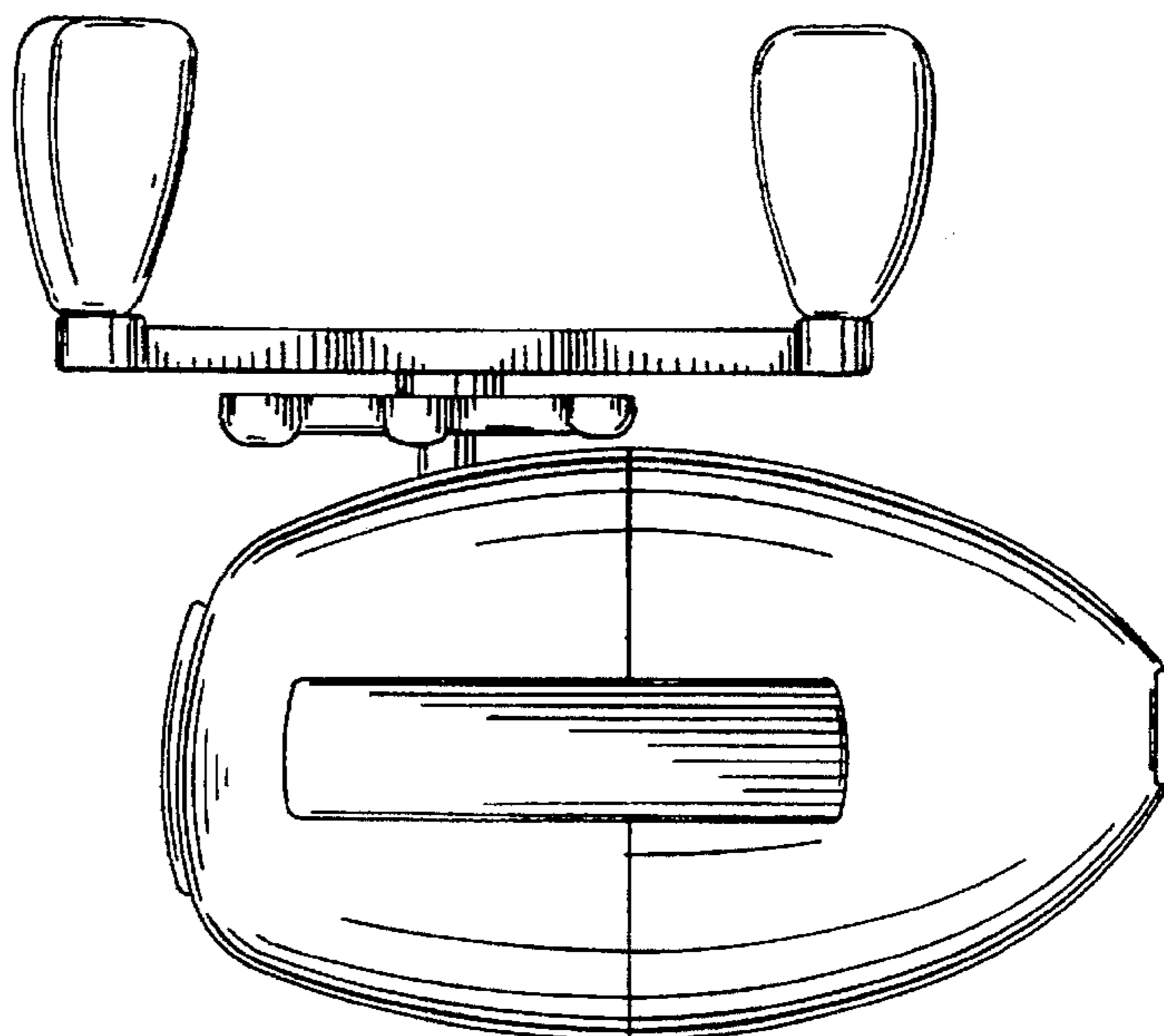


FIG. 5

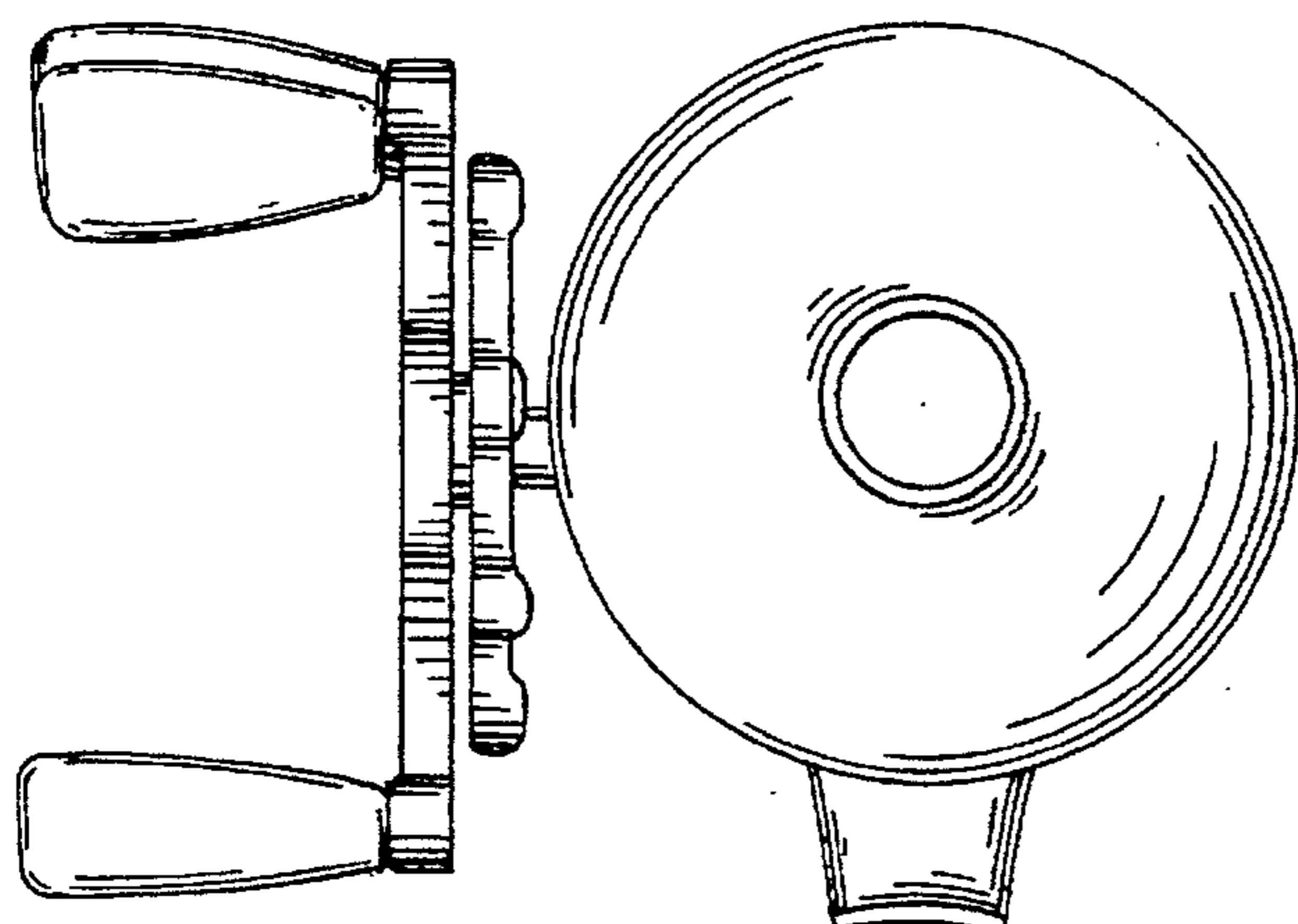


FIG. 6

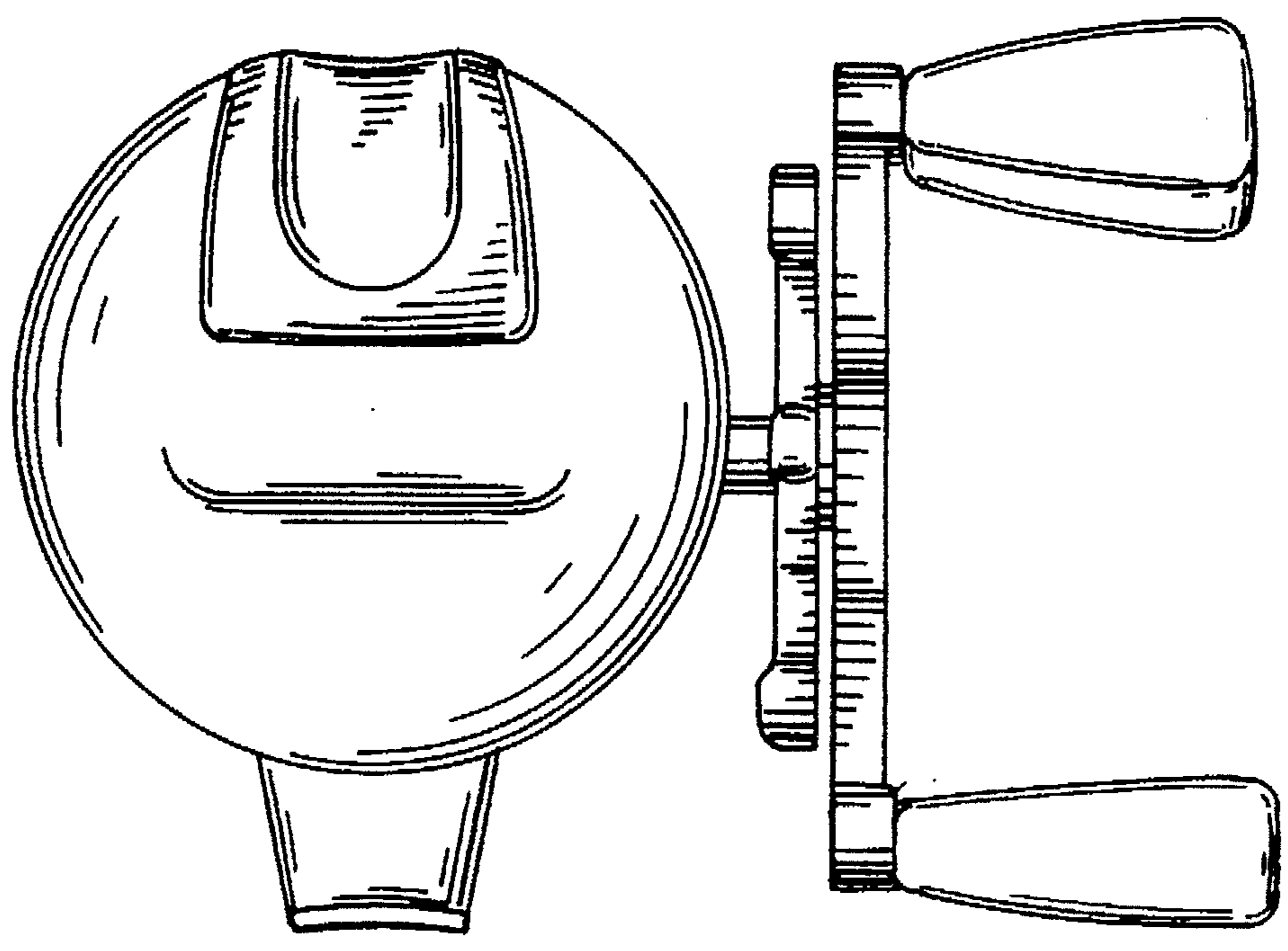


FIG. 7