



US00D380518S

United States Patent [19]

Barton et al.

[11] Patent Number: **Des. 380,518**

[45] Date of Patent: ****Jul. 1, 1997**

[54] GOLF TRAINING DEVICE

[76] Inventors: **Douglas Barton**, 625 N. Nanticoke Ave., Endicott, N.Y. 13760; **Scott Katusha**, 20 Karic Rd., Conklin, N.Y. 13748

[**] Term: **14 Years**

[21] Appl. No.: **38,753**

[22] Filed: **Mar. 31, 1995**

[51] LOC (6) Cl. **21-02**

[52] U.S. Cl. **D21/234**

[58] Field of Search D21/234; 273/176 F, 273/176 H, 191 R, 191 A, 192, 179 R, 179 C, 186.4

[56] References Cited

U.S. PATENT DOCUMENTS

- D. 245,035 7/1977 Gordon D21/234
- D. 284,494 7/1986 Williamson D21/234
- 3,572,720 3/1971 Berg 273/176 F

- 3,885,796 5/1975 King 273/192 X
- 3,934,874 1/1976 Henderson .
- 5,282,627 2/1994 Beck 273/186.1
- 5,413,344 5/1995 Darden 273/176 H X

Primary Examiner—Prabhakar G. Deshmukh
Assistant Examiner—Cheri Cohen
Attorney, Agent, or Firm—Salzman & Levy

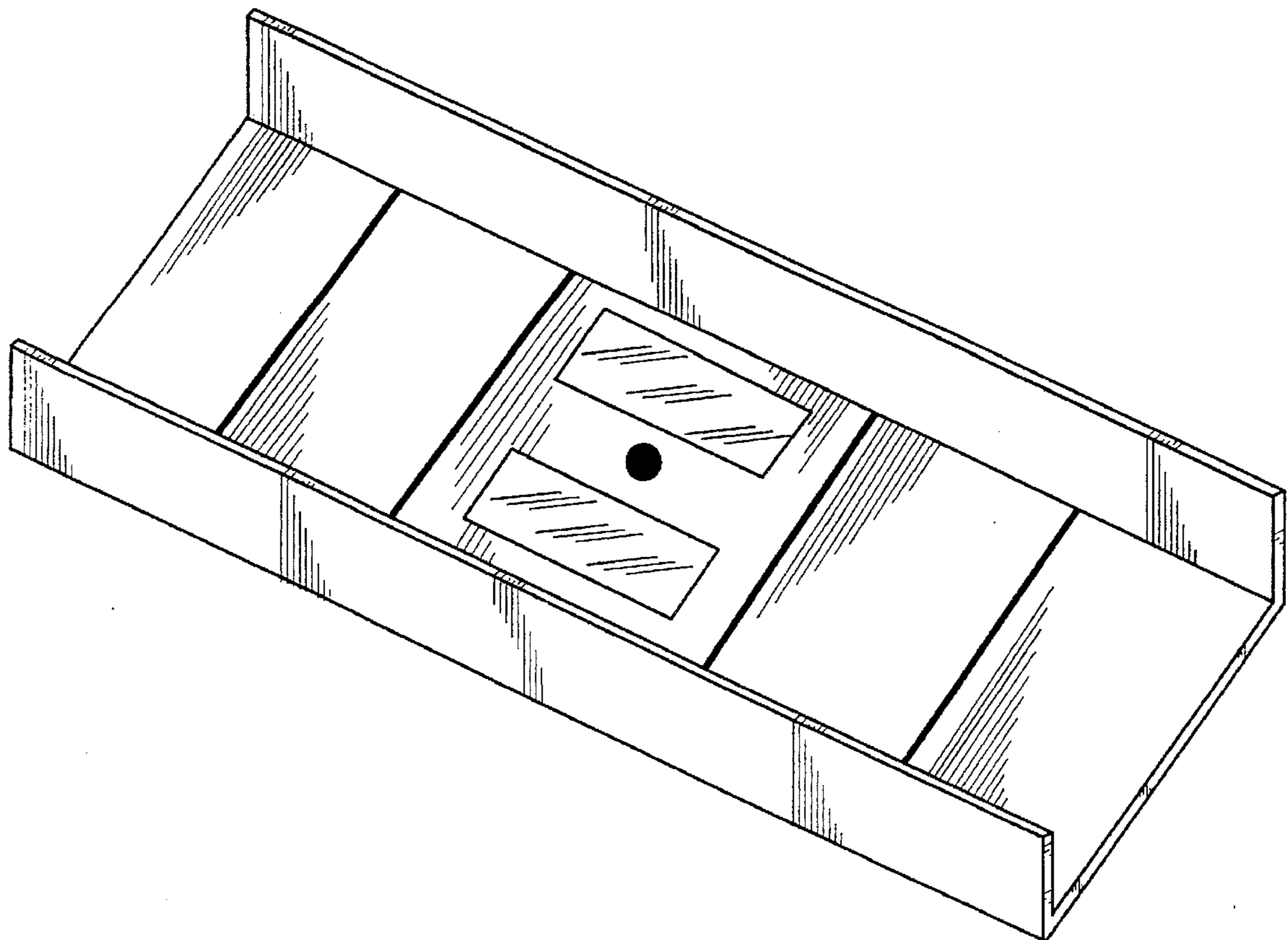
[57] CLAIM

The ornamental design for a golf training device, as shown and described.

DESCRIPTION

FIG. 1 is a top plan view of the golf training device of the invention;
FIG. 2 is a bottom plan view of the golf training device of the invention;
FIG. 3 is a side plan view of the golf training device of the invention; and,
FIG. 4 is a perspective view of the golf training device of the invention.

1 Claim, 2 Drawing Sheets



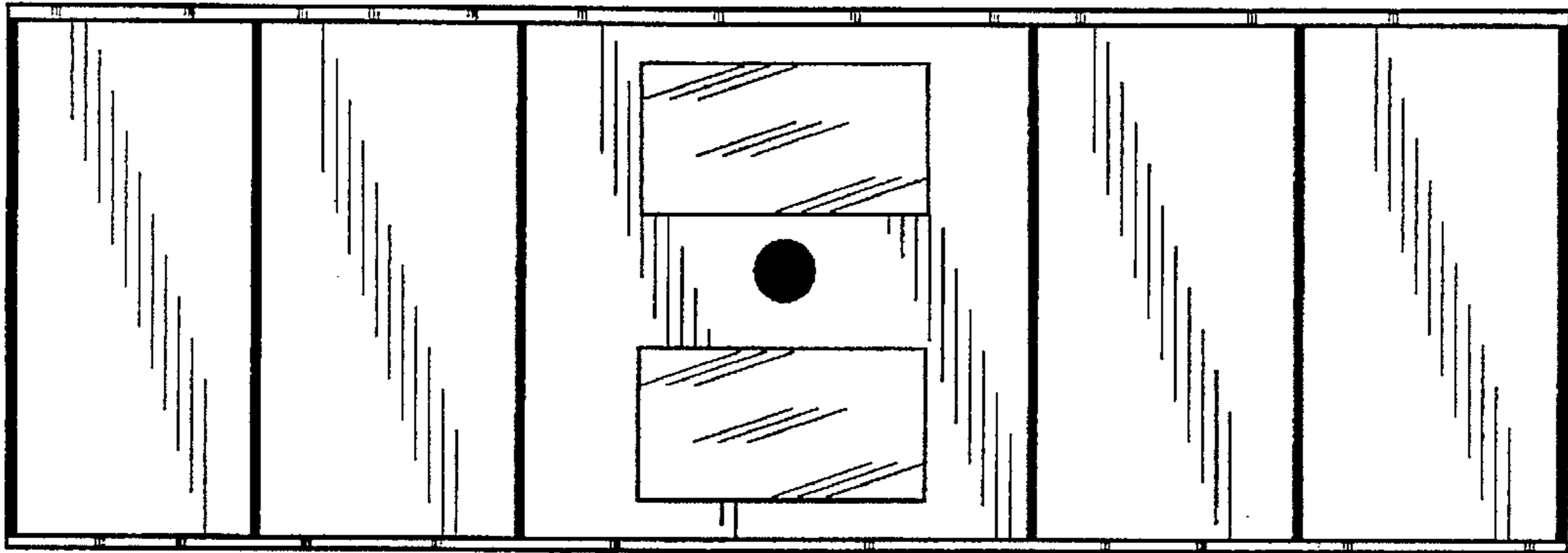


Figure 1

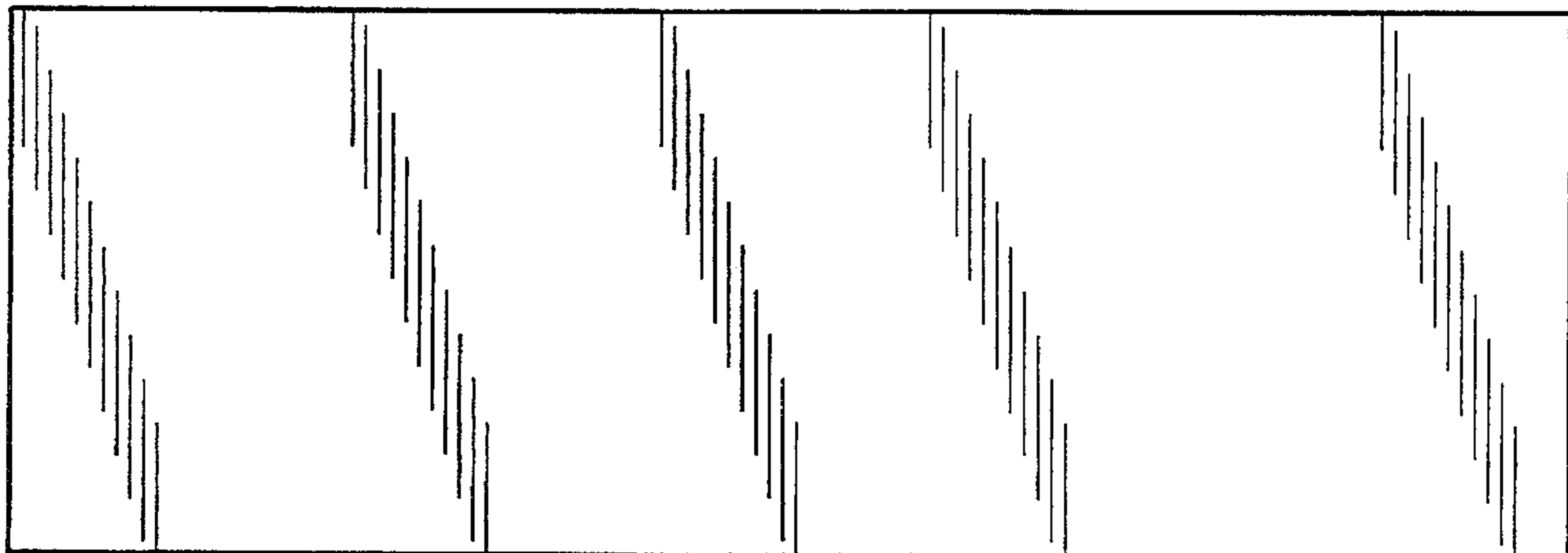


Figure 2



Figure 3

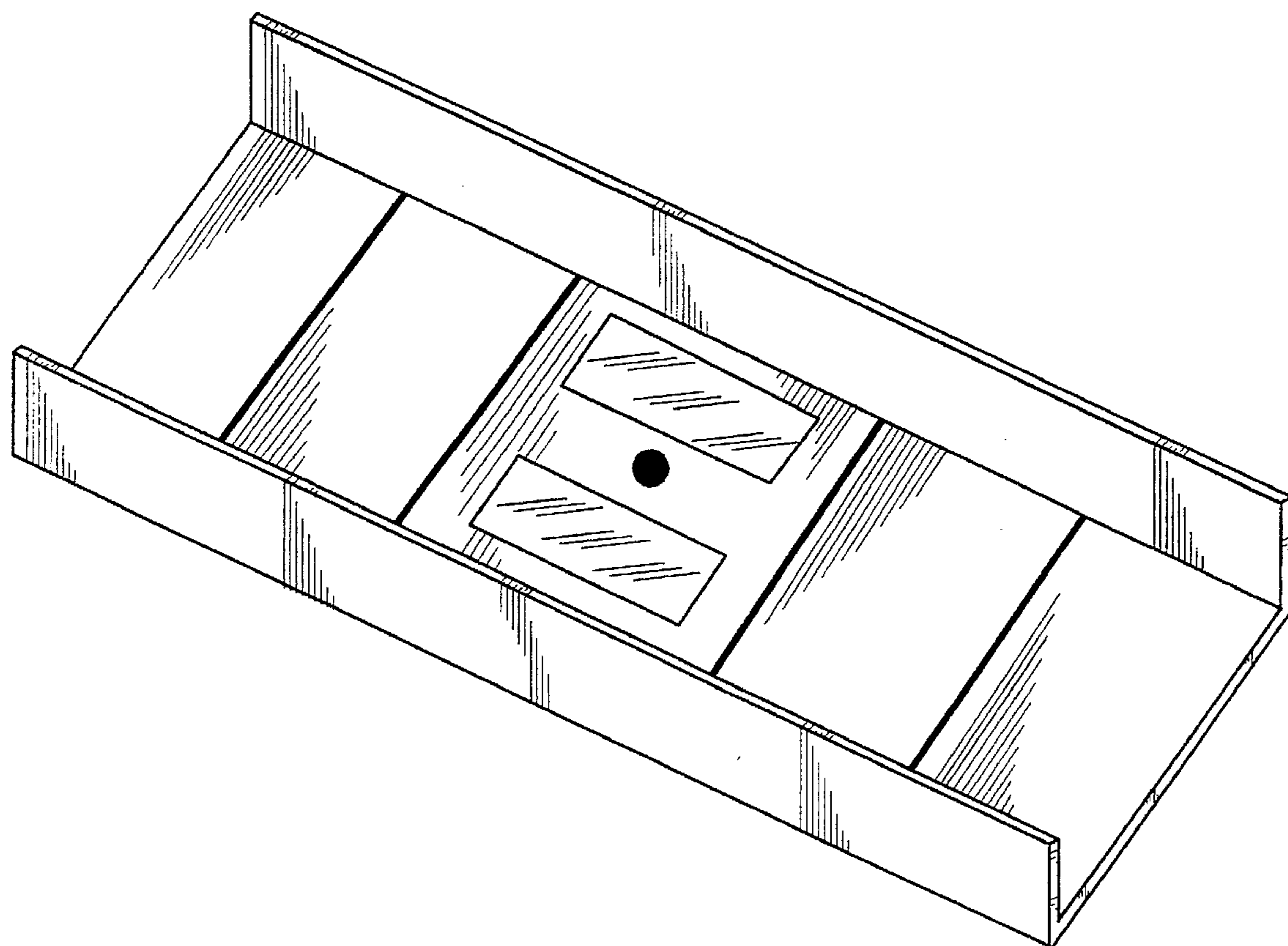


Figure 4