



US00D380517S

United States Patent [19] Ho

[11] Patent Number: **Des. 380,517**

[45] Date of Patent: ****Jul. 1, 1997**

[54] **ABDOMINAL EXERCISE APPARATUS**

[75] Inventor: **Charles Ho**, Taipei, Taiwan

[73] Assignee: **Keys Fitness Products, Inc.**, Dallas, Tex.

[**] Term: **14 Years**

[21] Appl. No.: **47,035**

[22] Filed: **Nov. 27, 1995**

[51] **LOC (6) Cl.** **21-02**

[52] **U.S. Cl.** **D21/191**

[58] **Field of Search** **D21/191, 195;**
482/140, 142, 132, 131, 133, 144

[56] **References Cited**

U.S. PATENT DOCUMENTS

4,703,929 11/1987 Reed 482/144

4,752,067 6/1988 Colonello 482/142
5,403,258 4/1995 Hill 482/140
5,492,520 2/1996 Brown 482/140

Primary Examiner—Philip S. Hyder
Attorney, Agent, or Firm—Haynes and Boone, L.L.P.

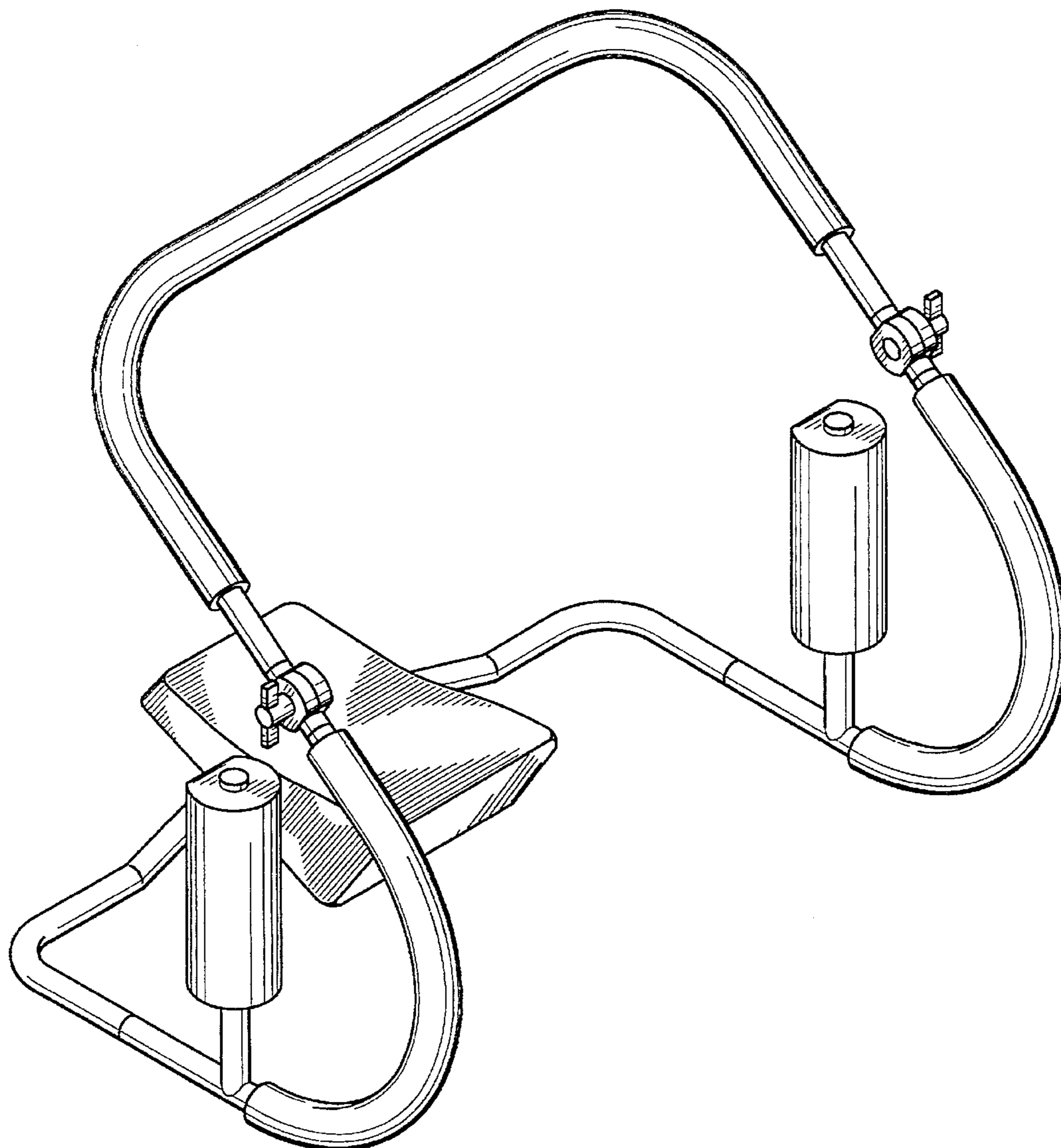
[57] **CLAIM**

The ornamental design for an abdominal exercise apparatus, as shown and described.

DESCRIPTION

FIG. 1 is a front perspective view of the abdominal exercise apparatus showing my new design; FIG. 2 is a side elevational view thereof; FIG. 3 is a front elevational view thereof; FIG. 4 is a rear elevational view thereof; FIG. 5 is a top plan view thereof; and, FIG. 6 is a bottom plan view thereof.

1 Claim, 3 Drawing Sheets



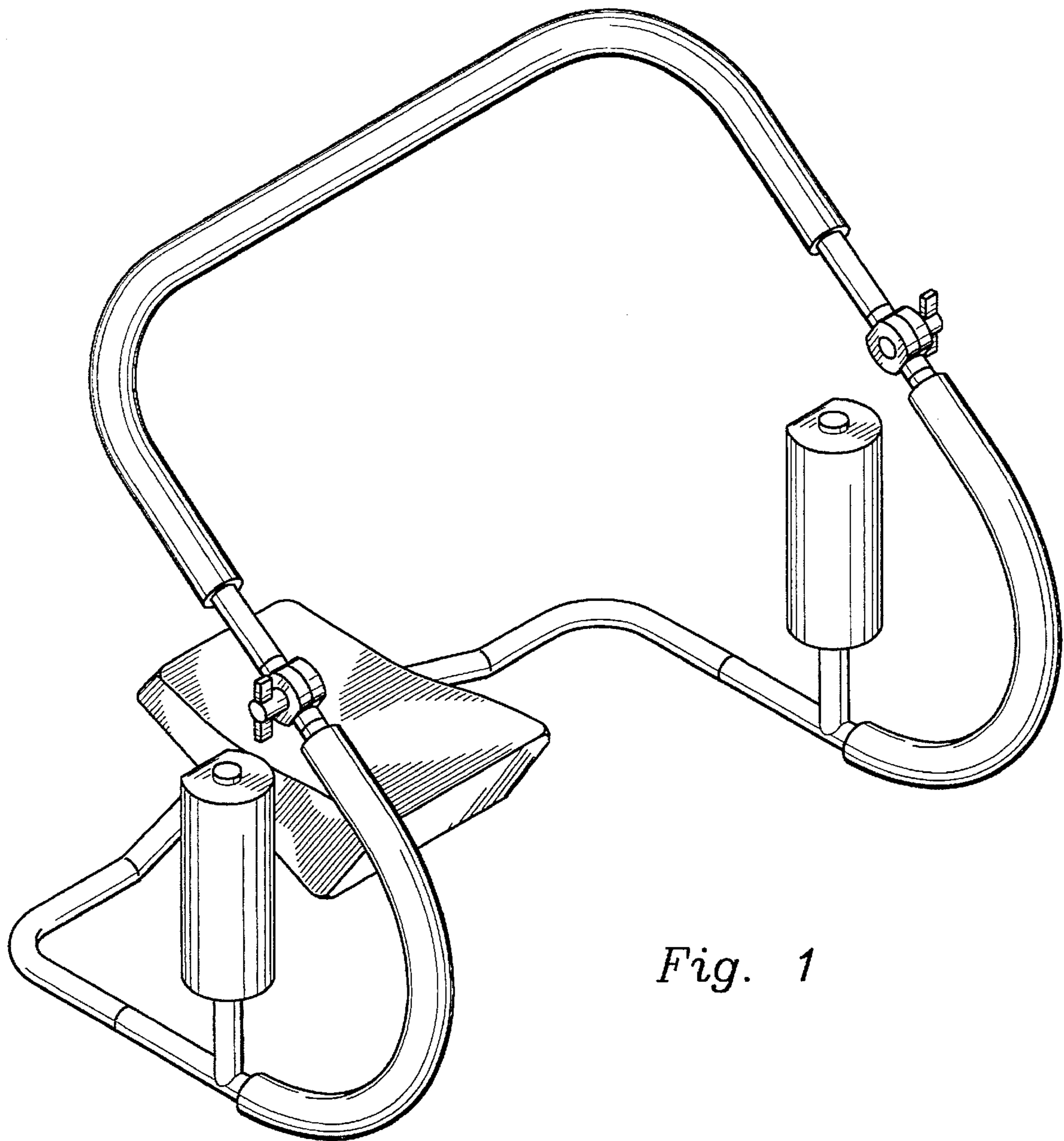


Fig. 1

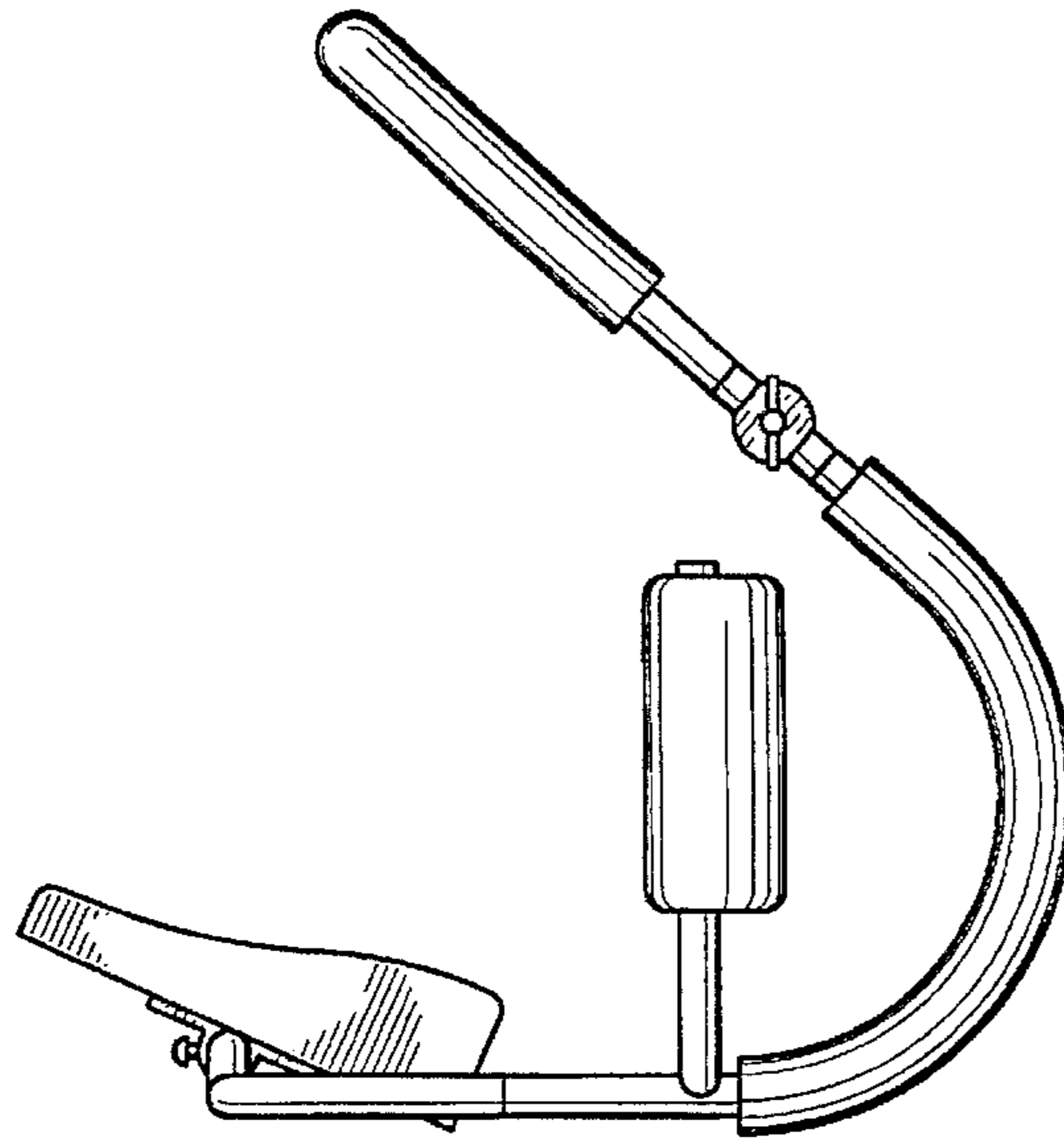


Fig. 2

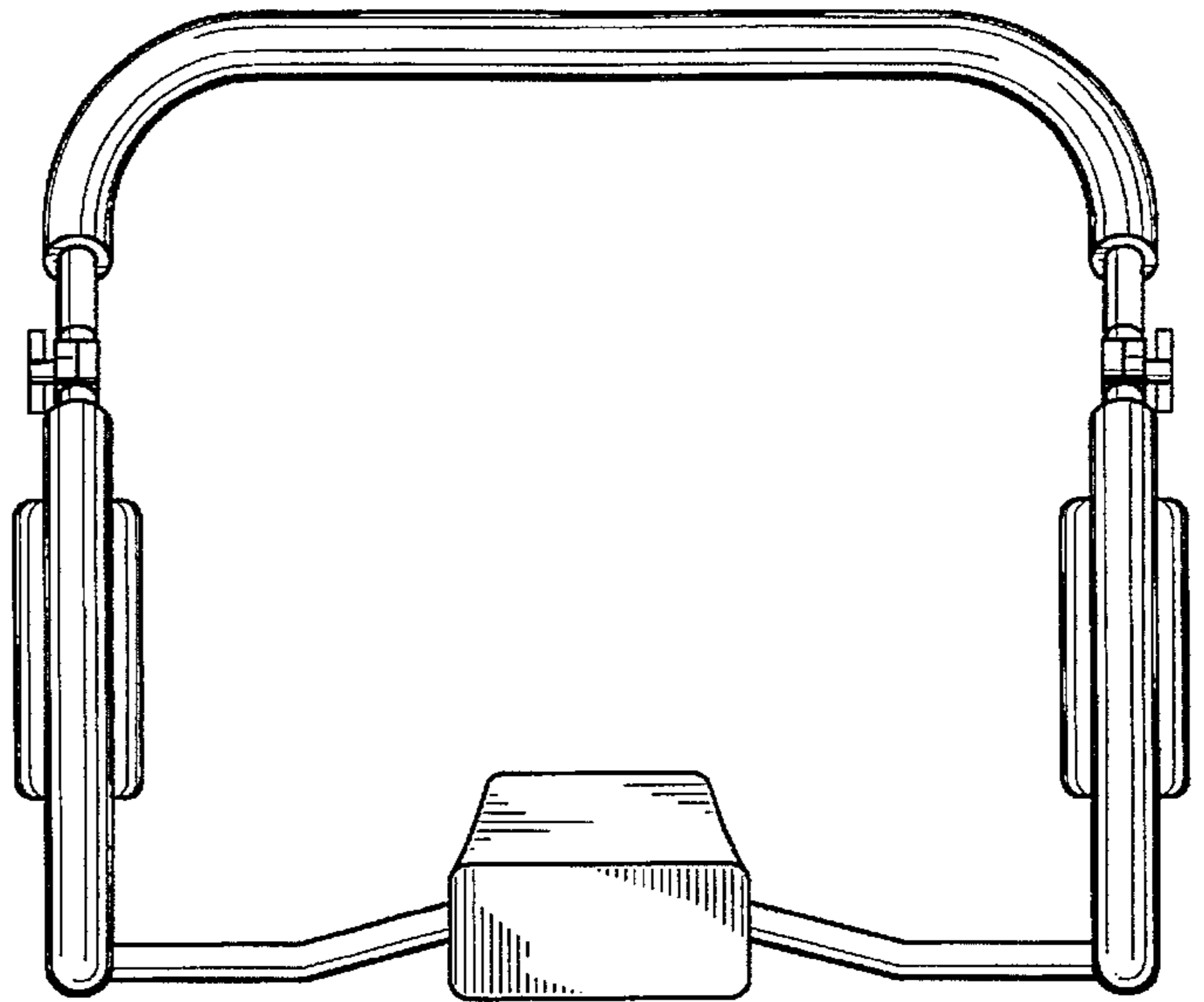


Fig. 3

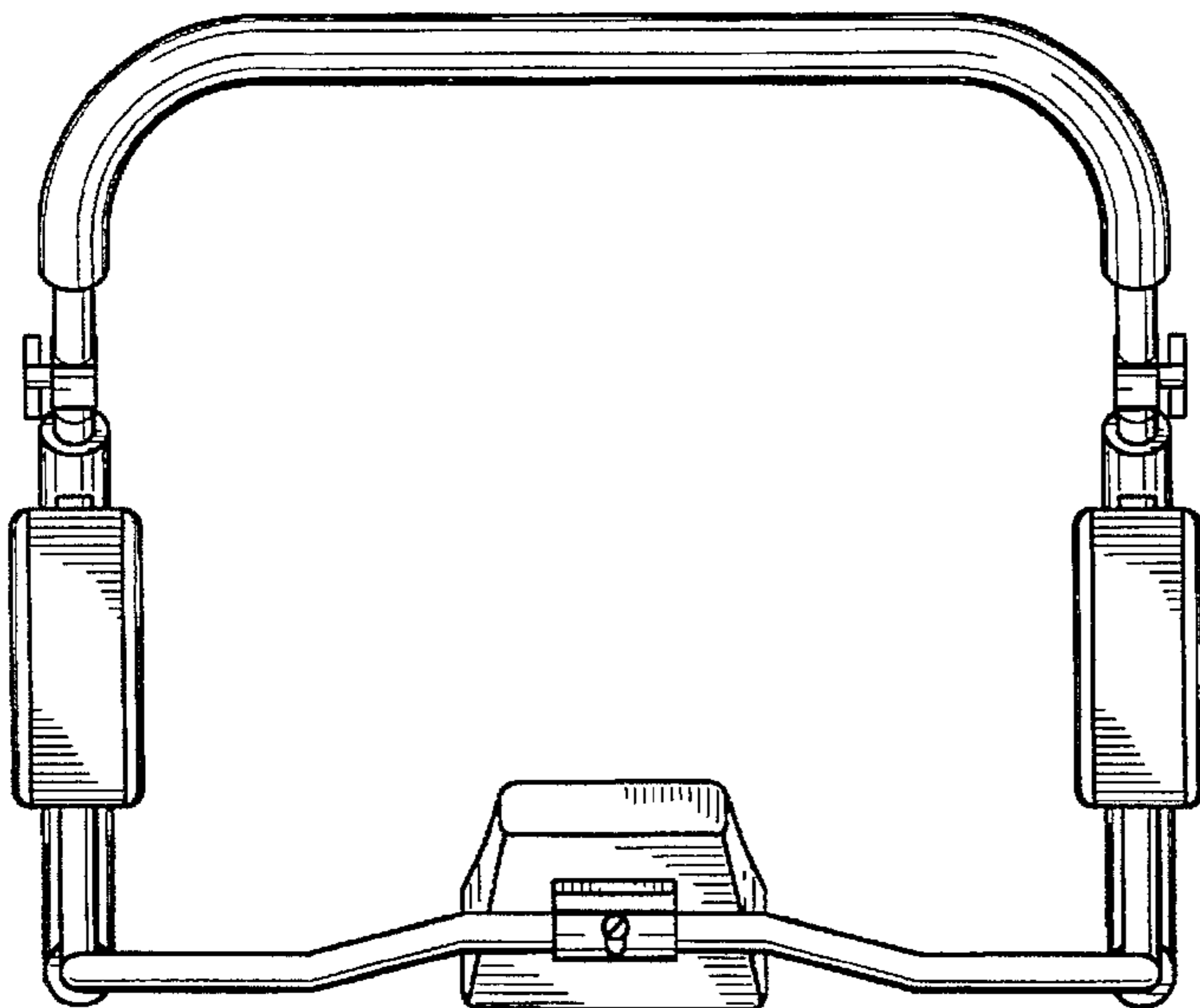


Fig. 4

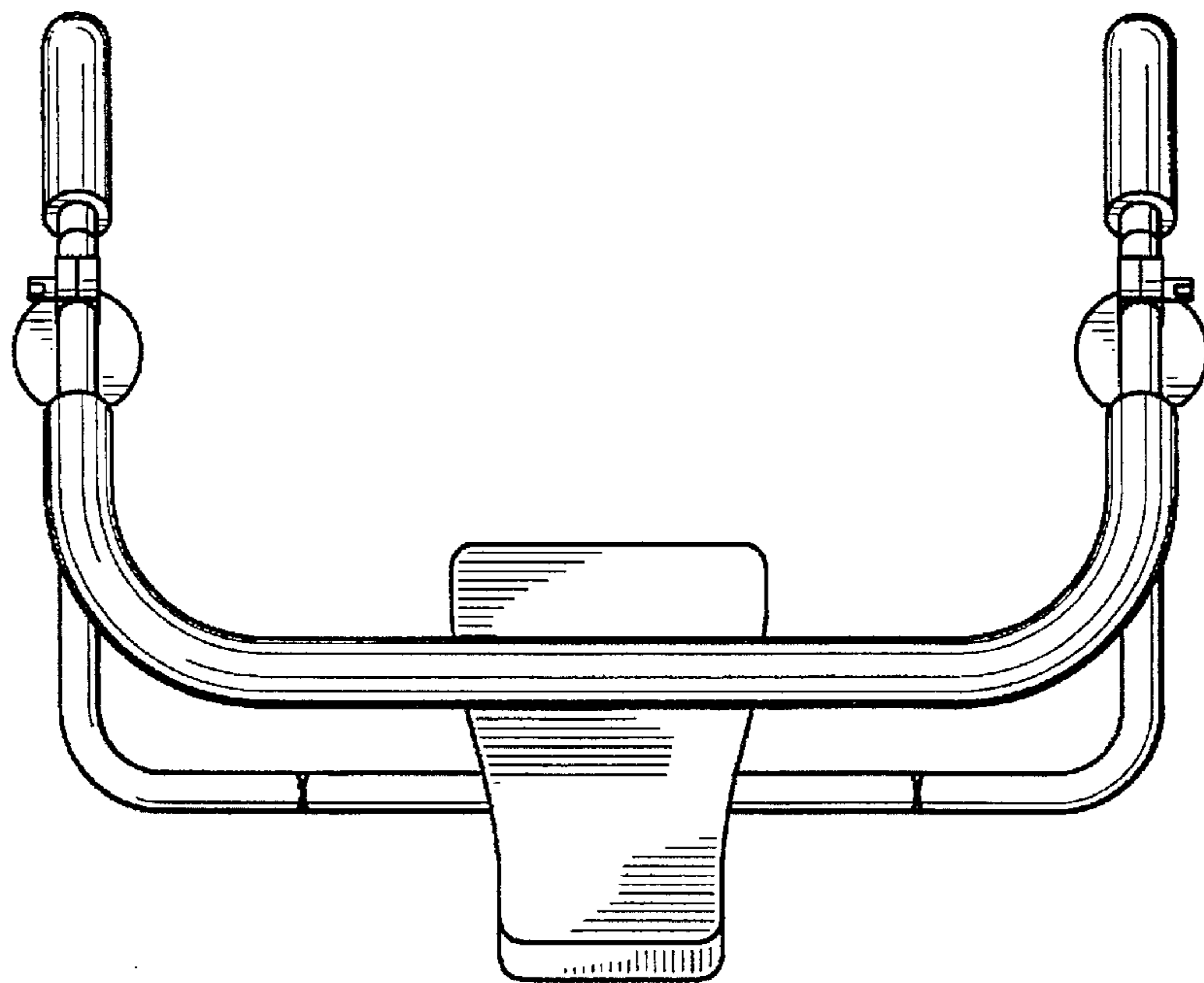


Fig. 5

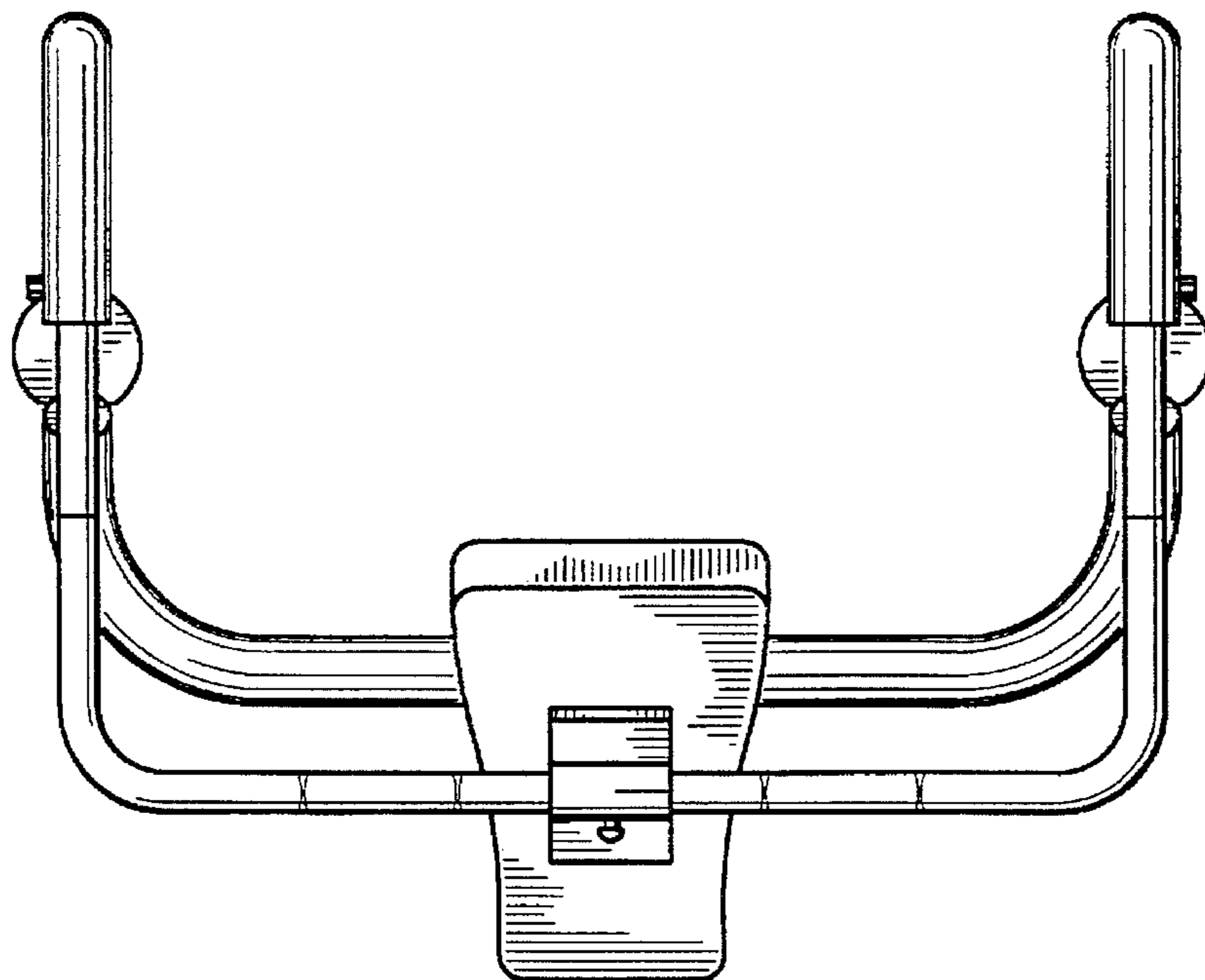


Fig. 6