



US00D380514S

United States Patent [19]
Markley

[11] **Patent Number: Des. 380,514**

[45] **Date of Patent: **Jul. 1, 1997**

[54] **GOLF PUTTER**

[76] **Inventor: William N. Markley, 84 Juniper Rd., Hollywood, Fla. 33021**

[**] **Term: 14 Years**

[21] **Appl. No.: 43,676**

[22] **Filed: Sep. 11, 1995**

Related U.S. Application Data

[63] **Continuation-in-part of Ser. No. 23,506, May 25, 1994, abandoned.**

[51] **LOC (6) Cl. 21-02**

[52] **U.S. Cl. D21/219**

[58] **Field of Search D21/217-219, D21/221; 273/167-175**

[56] **References Cited**

U.S. PATENT DOCUMENTS

| | | | | |
|------------|---------|-----------|-------|-------------|
| D. 235,074 | 5/1975 | McCabe | | D21/217 |
| D. 318,088 | 7/1991 | Antonious | | D21/219 |
| D. 322,829 | 12/1991 | Antonious | | D21/219 |
| D. 363,519 | 10/1995 | Gooden | | D21/221 |
| 2,212,651 | 4/1940 | Sanderson | . | |
| 2,843,384 | 10/1958 | Schmidt | . | |
| 4,163,554 | 8/1979 | Bernhardt | | 273/80 C |
| 4,519,612 | 5/1985 | Tsao | | 273/167 A X |

OTHER PUBLICATIONS

Golf Digest; Sep. 1974; p. 28; "Skyway Putters", Model Two.

Primary Examiner—Ted Shooman

Assistant Examiner—Mitchell I. Siegel

Attorney, Agent, or Firm—Malin, Haley, DiMaggio & Crosby

[57] **CLAIM**

The ornamental design for a golf putter, as shown and described.

DESCRIPTION

FIG. 1 is a top perspective view of a golf putter showing my new design;

FIG. 2 is a rear elevational view thereof;

FIG. 3 is a front elevational view thereof;

FIG. 4 is a top plan view thereof, the shaft shown fragmented for ease of illustration;

FIG. 5 is a bottom plan view;

FIG. 6 is a right side elevational view of FIG. 1;

FIG. 7 is a left side elevational view of FIG. 1;

FIG. 8 is an enlarged top perspective view of a second embodiment of the golf putter as disclosed in FIG. 1;

FIG. 9 is a rear elevational view of FIG. 8;

FIG. 10 is a front elevational view of FIG. 8;

FIG. 11 is a top plan view of FIG. 8, the shaft shown fragmented for ease of illustration;

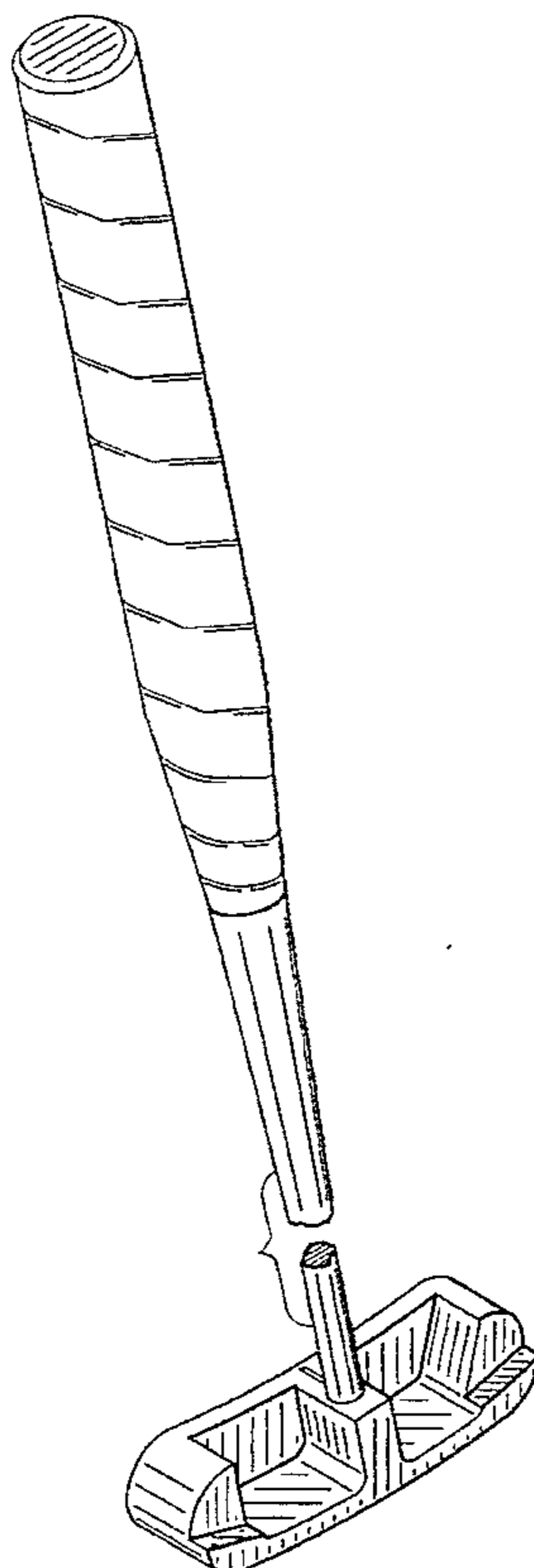
FIG. 12 is a bottom plan view;

FIG. 13 is a right side elevational view of FIG. 11; and,

FIG. 14 is a left side elevational view of FIG. 11.

FIGS. 8, 9, and 10 disclose the shaft broken away due to indeterminate length.

1 Claim, 4 Drawing Sheets



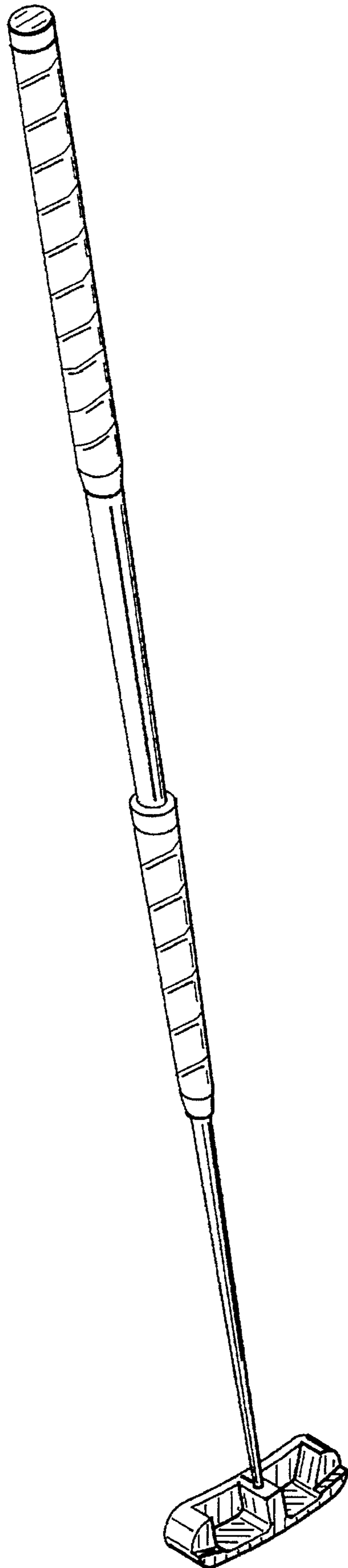
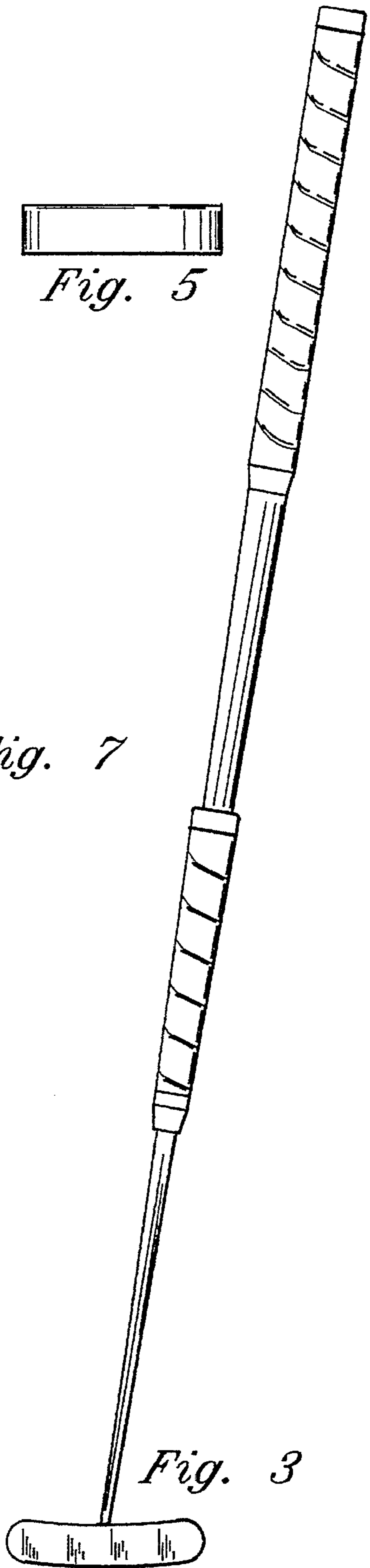
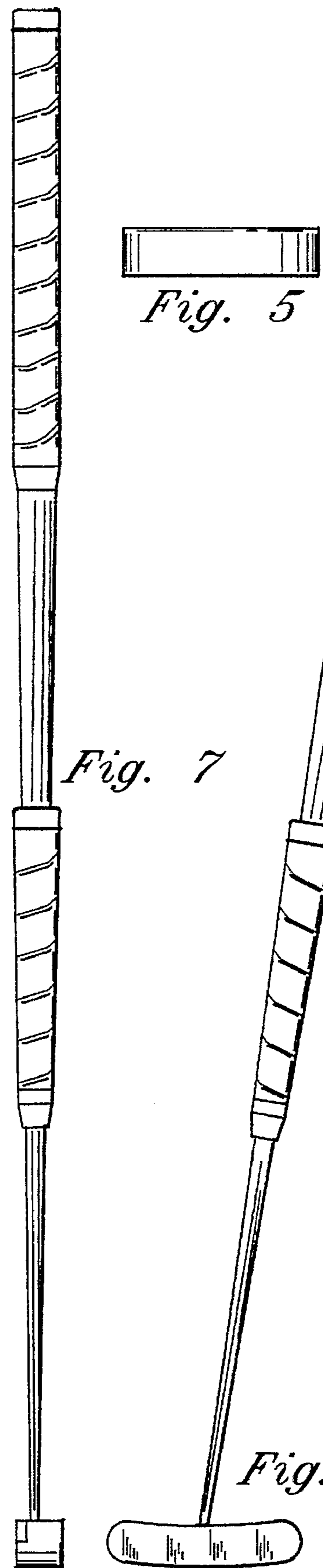
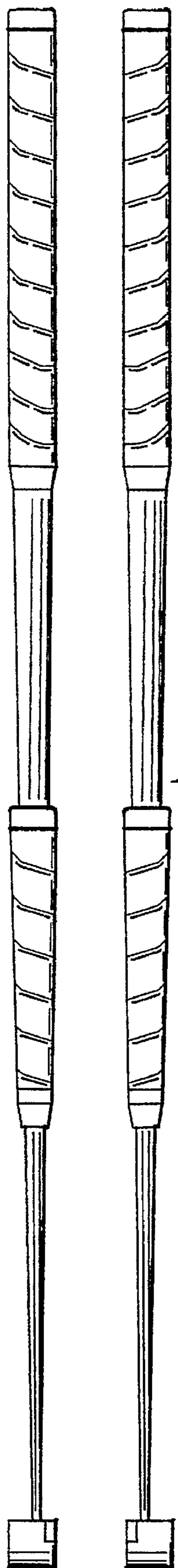
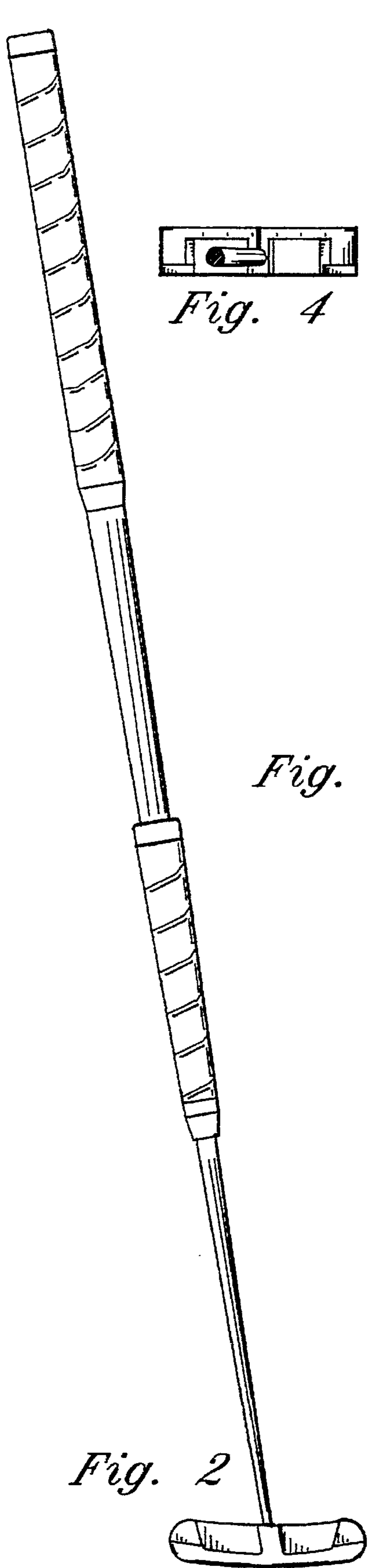


Fig. 1



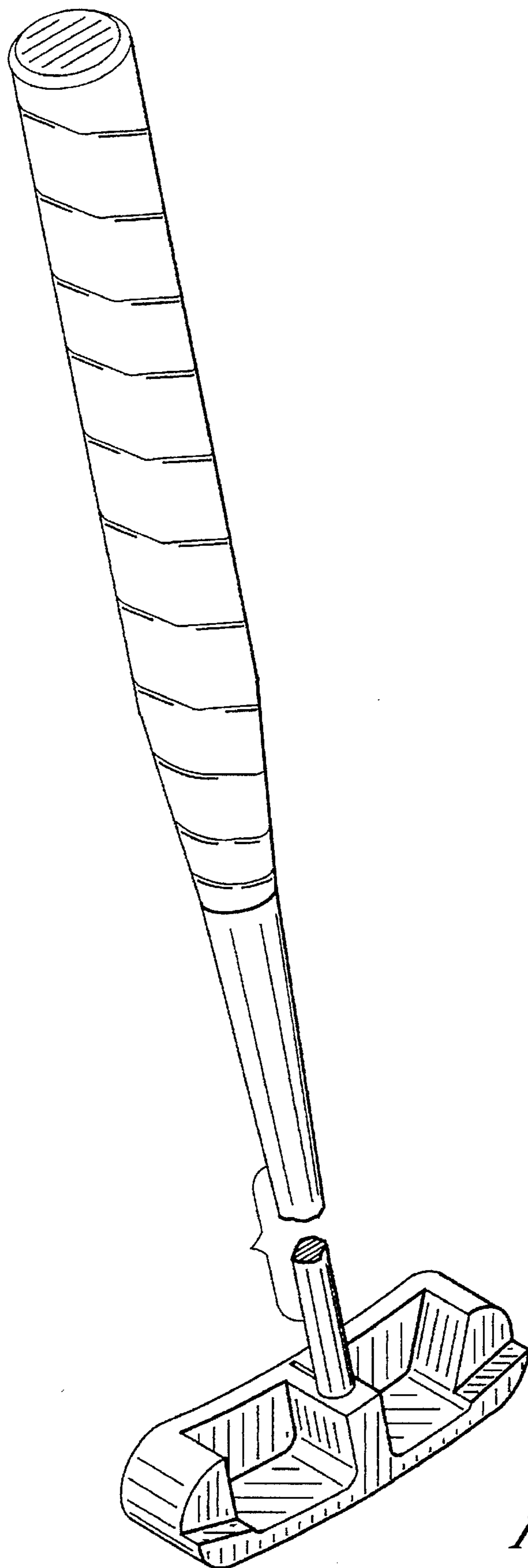


Fig. 8

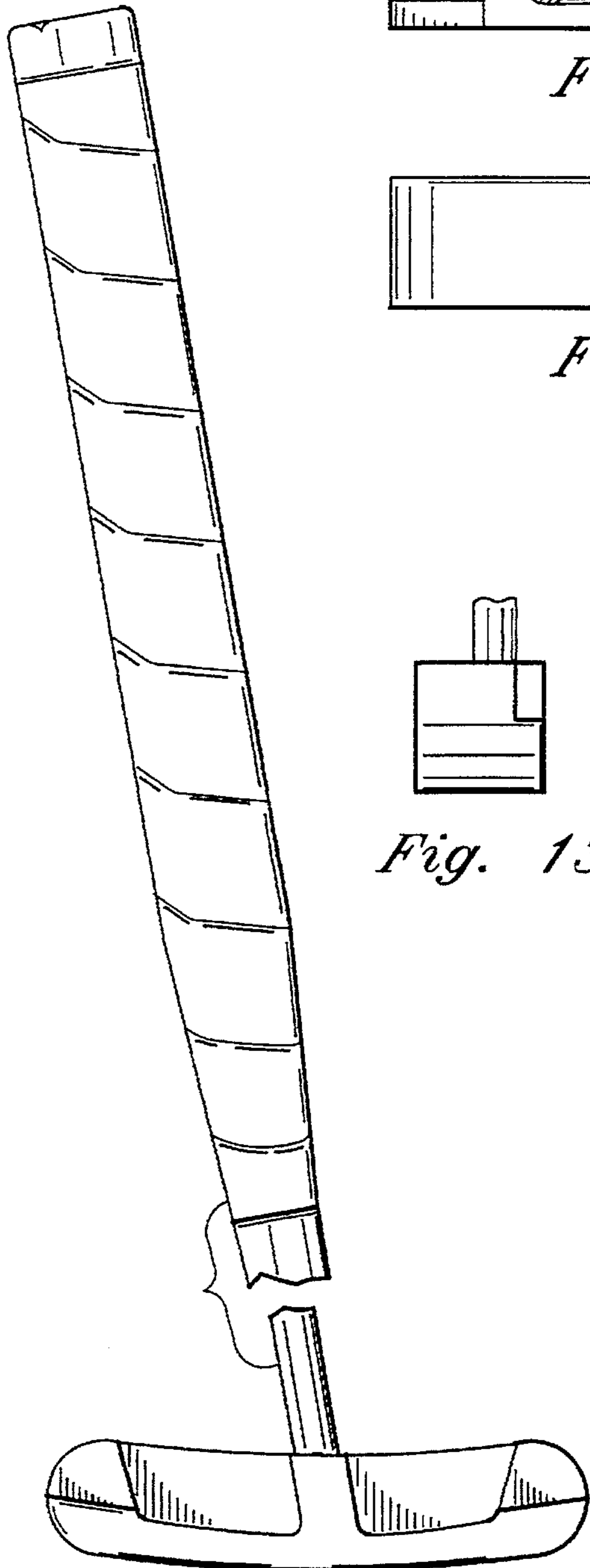


Fig. 9

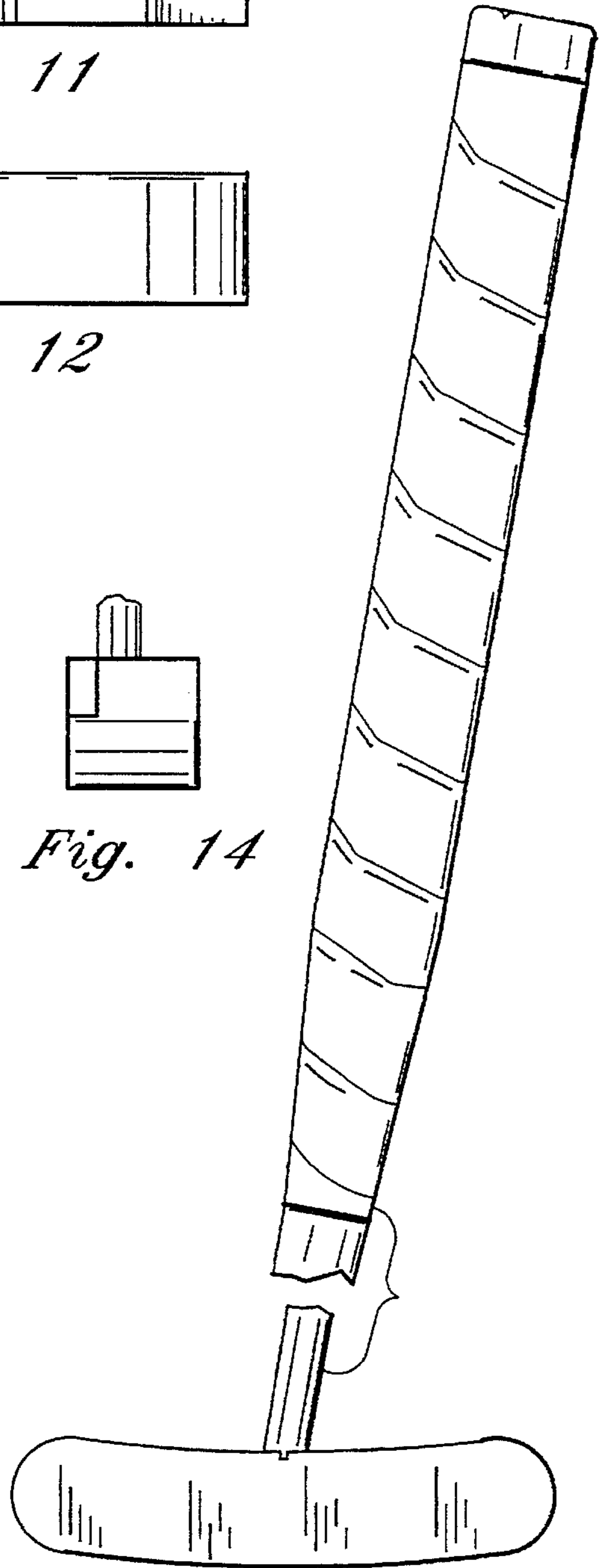


Fig. 10

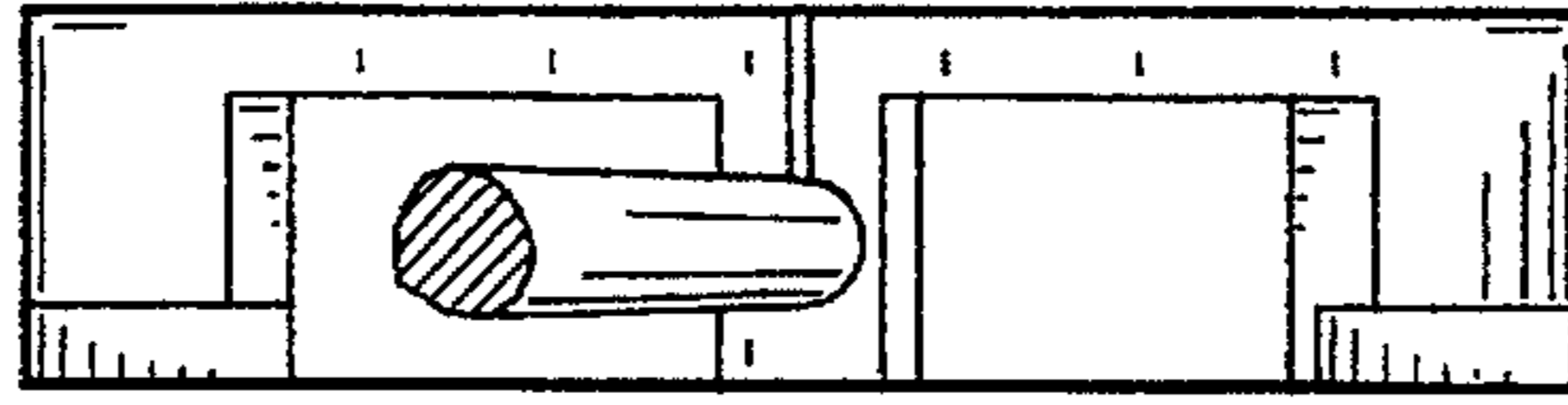


Fig. 11

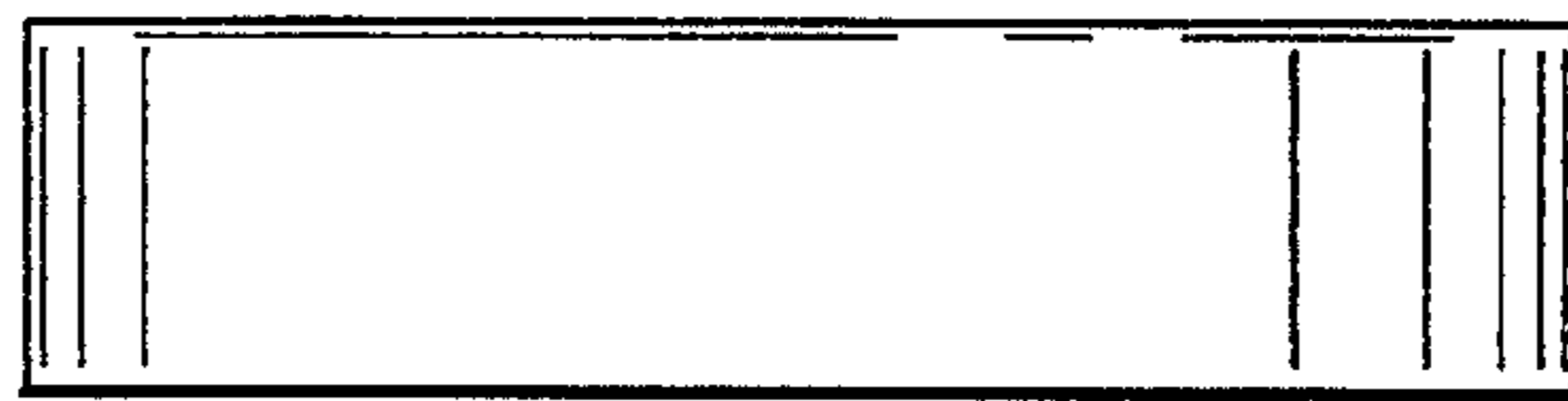


Fig. 12

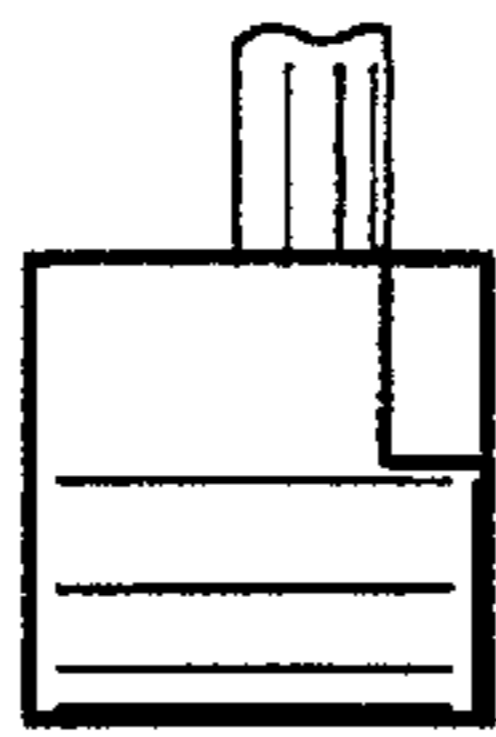


Fig. 13

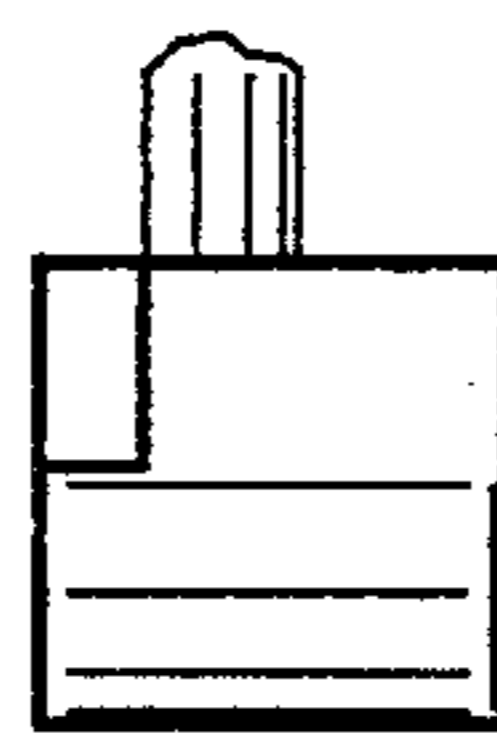


Fig. 14