



US00D380509S

United States Patent [19]

Wilkinson et al.

[11] Patent Number: **Des. 380,509**

[45] Date of Patent: ****Jul. 1, 1997**

[54] **EXERCISE MACHINE**

[75] Inventors: **Kerry Wilkinson**, Phoenix; **Gary H. Smith**, Salt Lake City, both of Ariz.

[73] Assignee: **HealthRider, Inc.**, Salt Lake City, Utah

[**] Term: **14 Years**

[21] Appl. No.: **44,030**

[22] Filed: **Sep. 15, 1995**

[51] LOC (6) Cl. **21-02**

[52] U.S. Cl. **D21/195**

[58] Field of Search D21/191, 192,
D21/193, 194, 195; 482/51, 52, 57, 62,
72, 95, 96, 137

[56] **References Cited**

U.S. PATENT DOCUMENTS

| | | | | |
|------------|---------|------------------|-------|---------|
| D. 344,112 | 2/1994 | Smith | | D21/195 |
| D. 356,128 | 3/1995 | Smith | | D21/195 |
| D. 358,437 | 5/1995 | Wang et al. | | D21/191 |
| D. 367,689 | 3/1996 | Wilkinson et al. | | D21/195 |
| 5,299,997 | 4/1994 | Chen | | 482/72 |
| 5,356,358 | 10/1994 | Chen | | 482/57 |

| | | | | |
|-----------|---------|--------------|-------|--------|
| 5,370,594 | 12/1994 | Grinblat | | 482/72 |
| 5,419,750 | 5/1995 | Steinmetz | | 482/72 |
| 5,453,066 | 9/1995 | Richter, Jr. | | 482/57 |
| 5,458,553 | 10/1995 | Wu | | 482/72 |
| 5,478,298 | 12/1995 | Chen | | 482/72 |

Primary Examiner—Philip S. Hyder
Attorney, Agent, or Firm—Mallinckrodt & Mallinckrodt

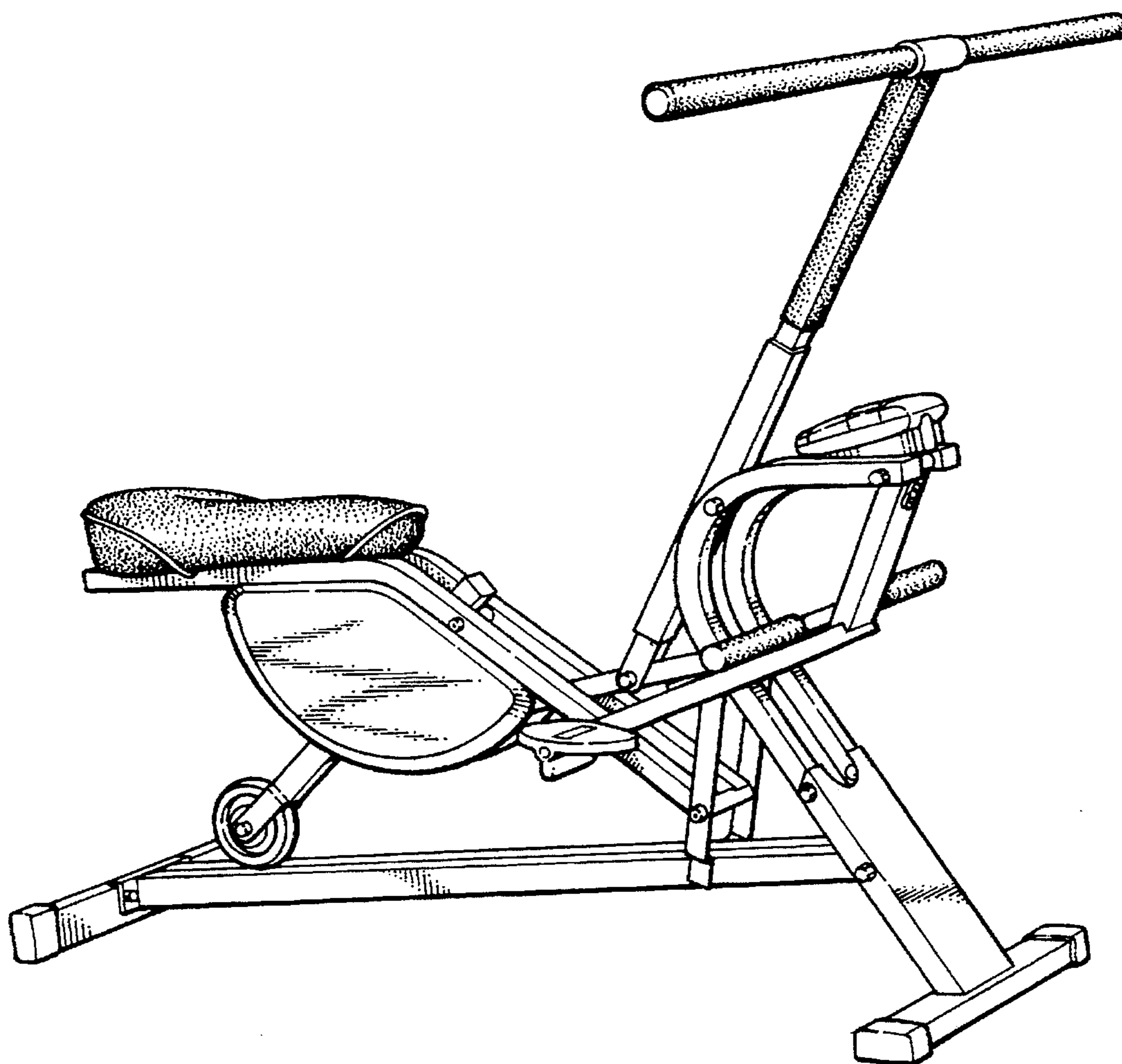
[57] **CLAIM**

The ornamental design for an exercise machine, as shown and described.

DESCRIPTION

FIG. 1 is a right side elevational view of an exercise machine showing our new design;
FIG. 2 is a left side elevational view;
FIG. 3 is a top plan view;
FIG. 4 is a bottom plan view;
FIG. 5 is a front elevational view;
FIG. 6 is a rear elevational view; and,
FIG. 7 is a right front perspective view.
The handle is shown fragmentarily in FIG. 3 for ease of illustration.

1 Claim, 4 Drawing Sheets



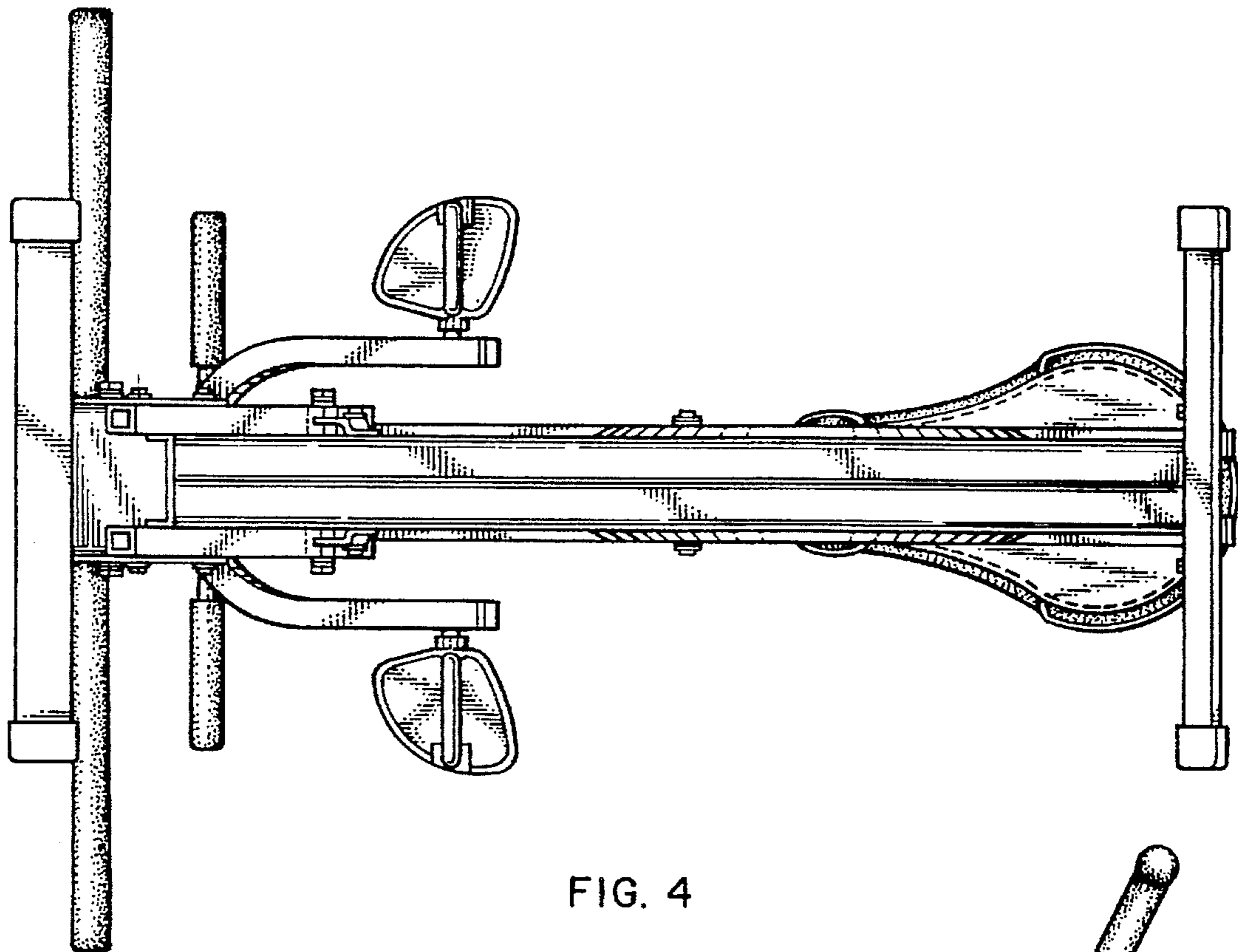


FIG. 4

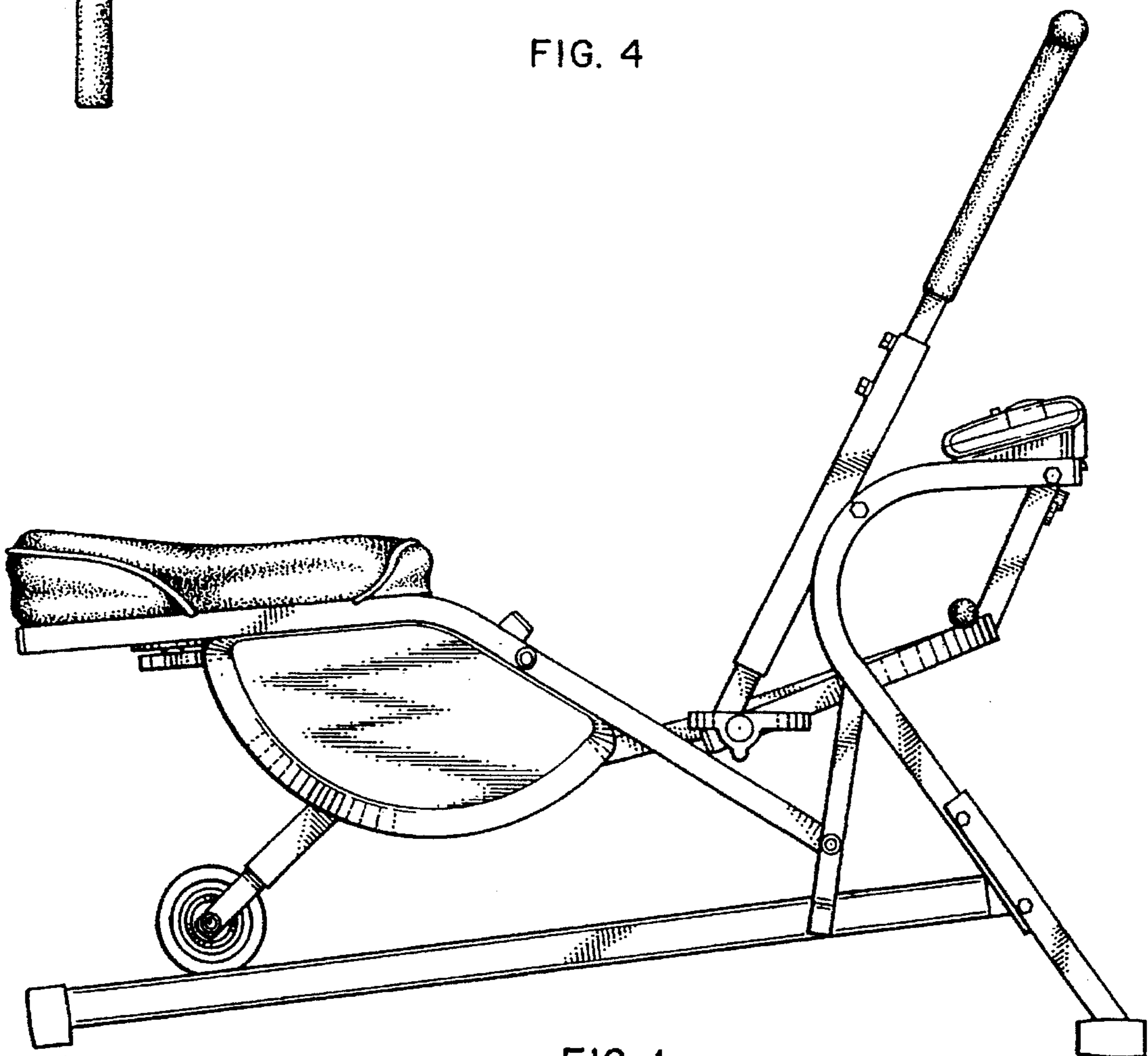


FIG. 1

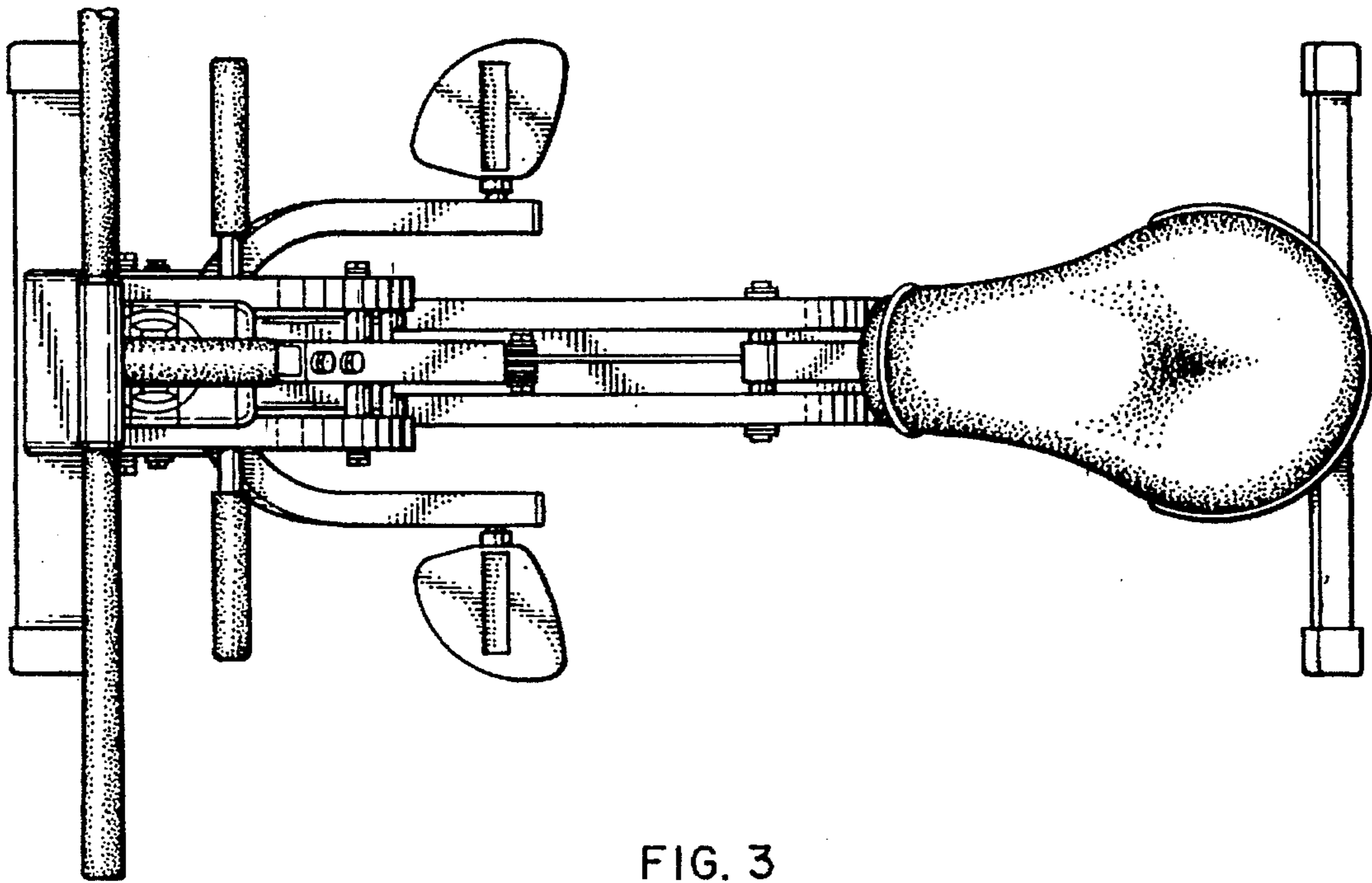


FIG. 3

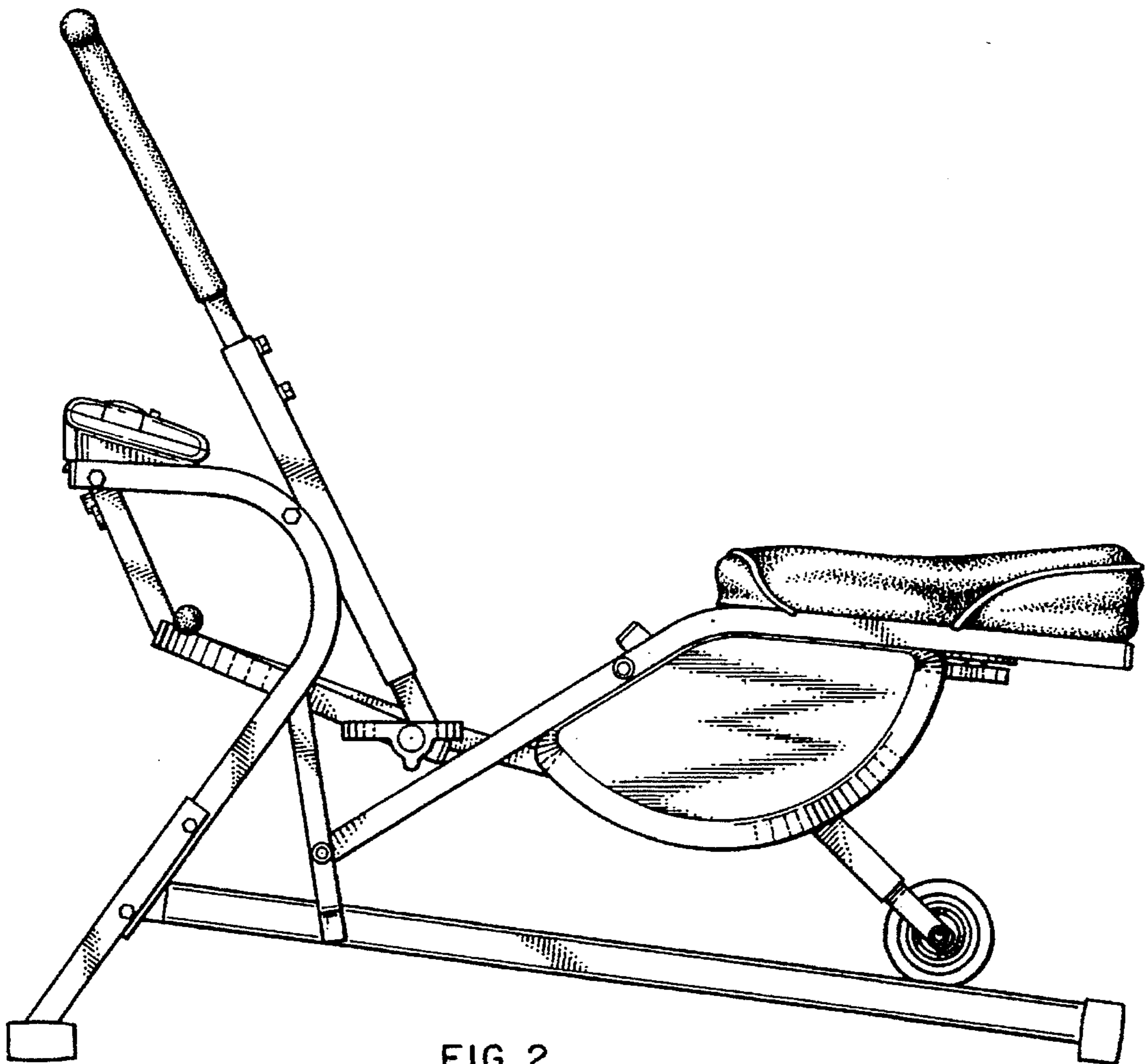


FIG. 2

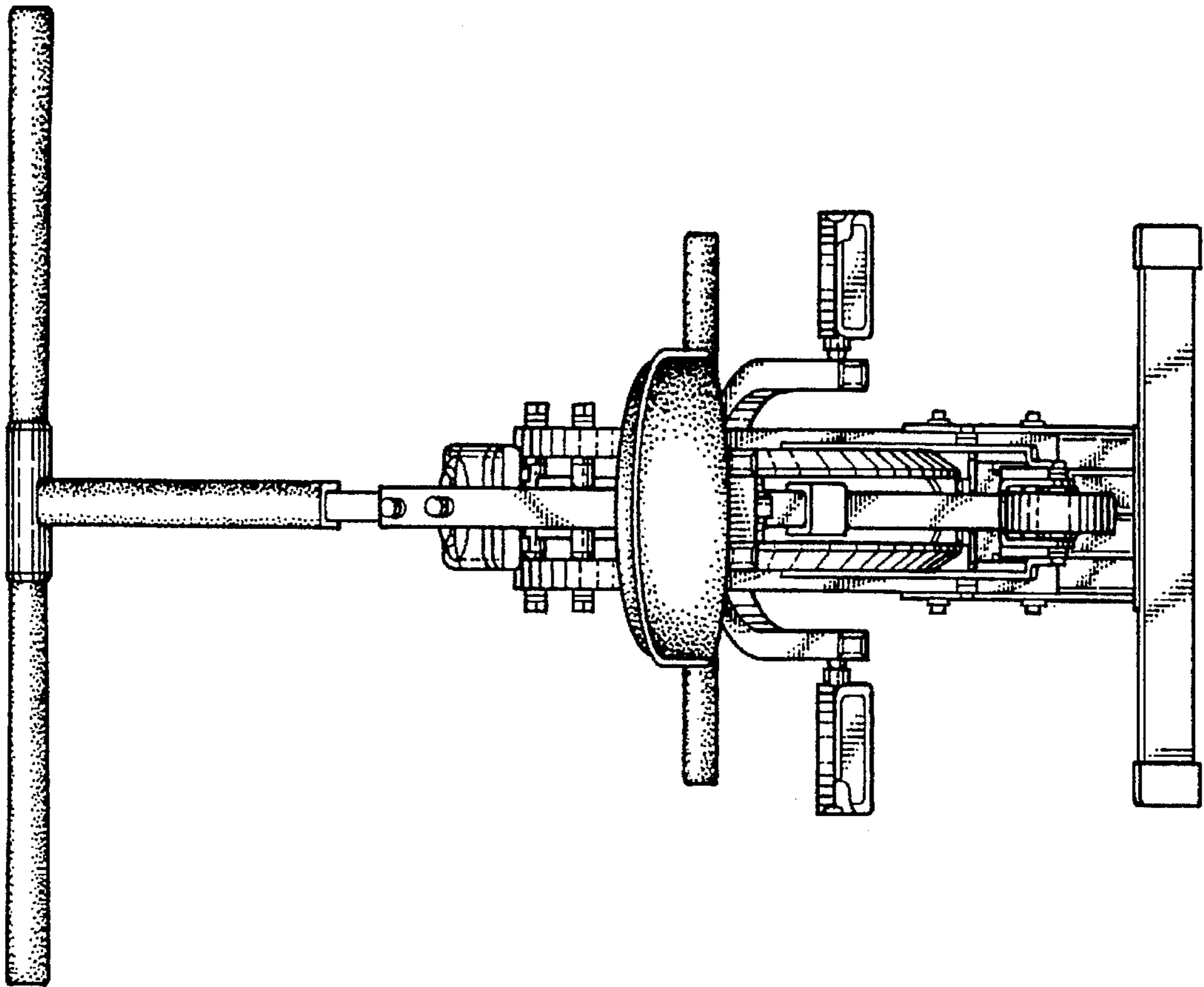


FIG. 6

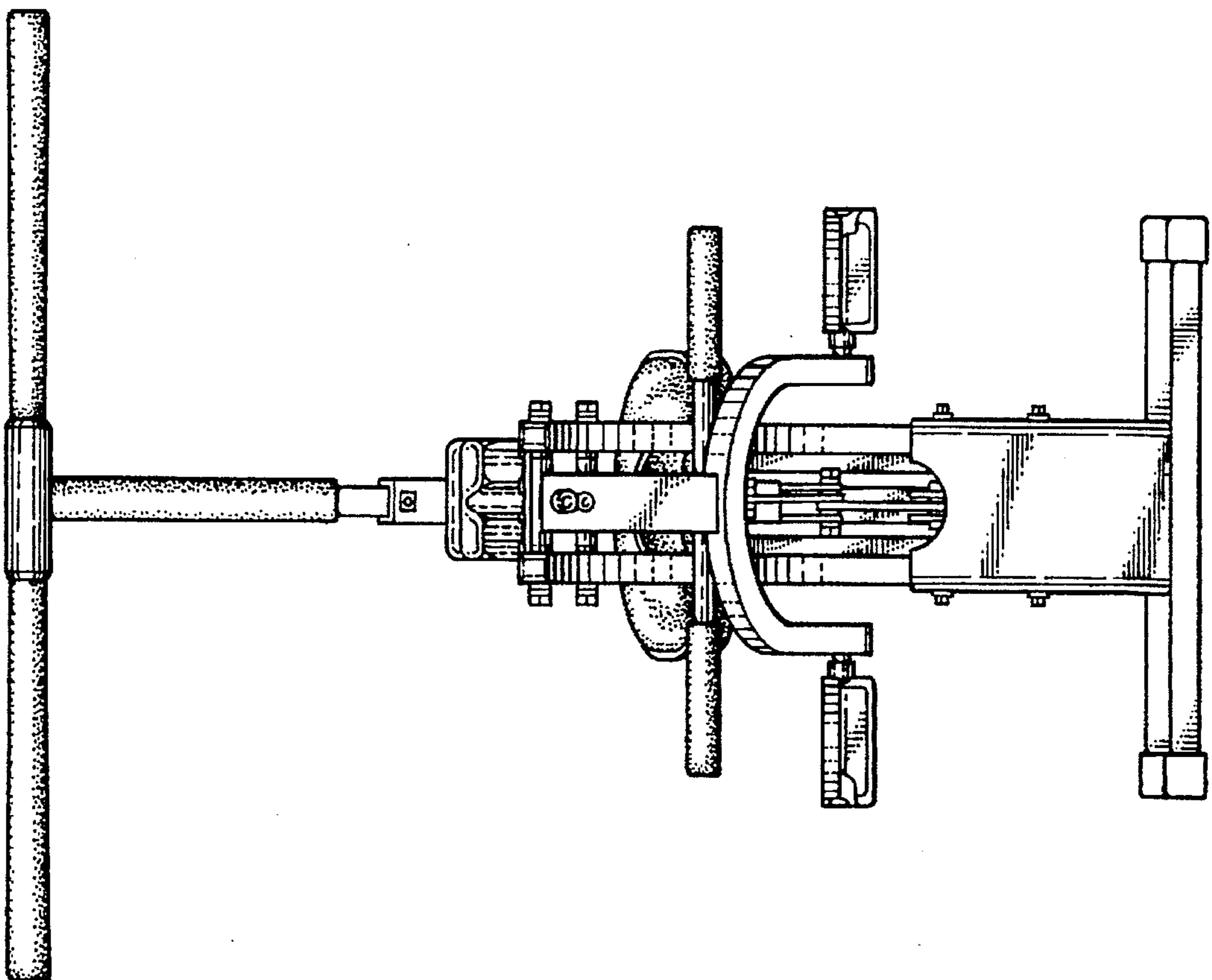


FIG. 5

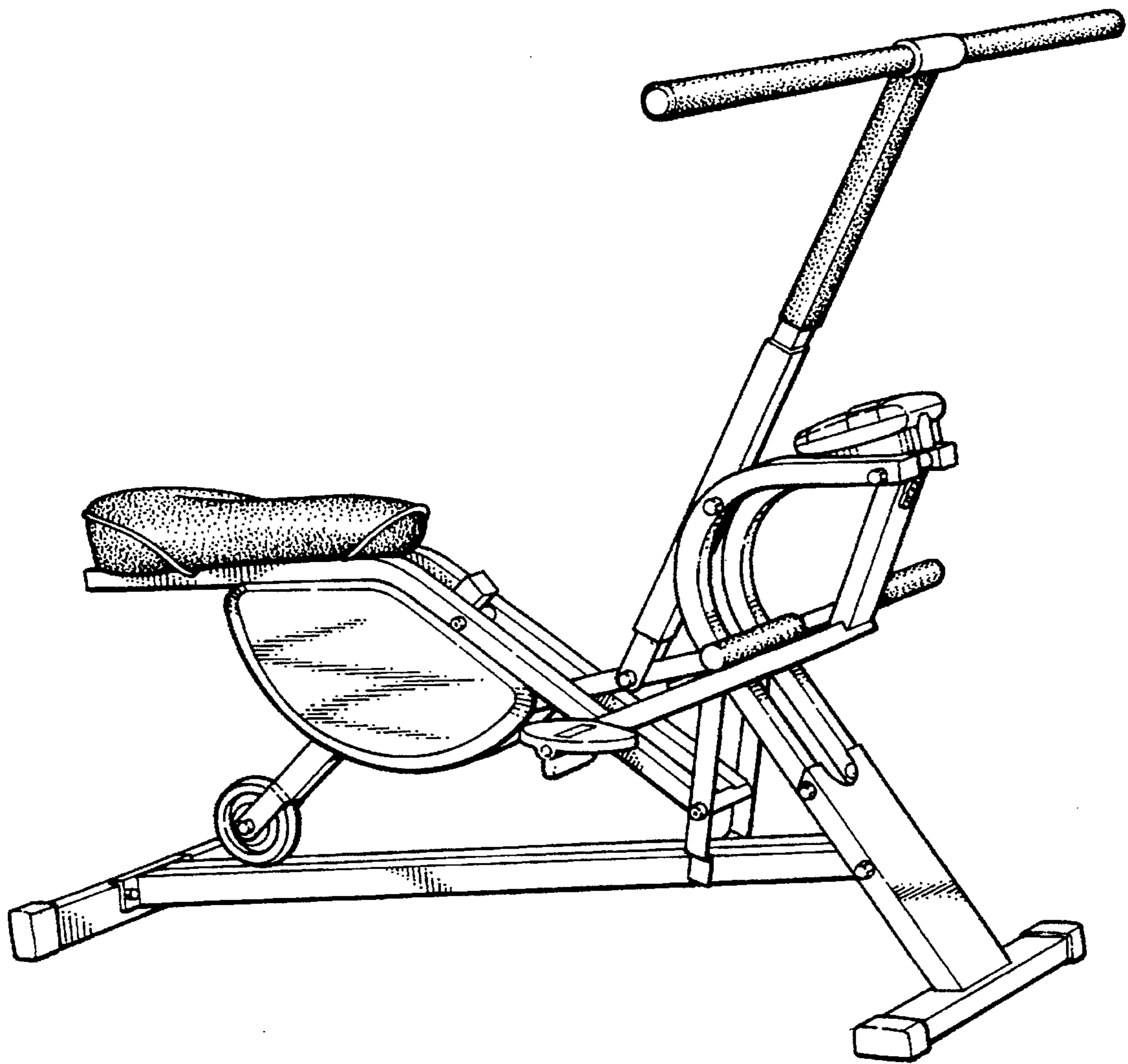


FIG. 7