



US00D380508S

United States Patent [19] Chang

[11] Patent Number: **Des. 380,508**

[45] Date of Patent: ****Jul. 1, 1997**

[54] **TWISTING EXERCISE APPARATUS**

[76] Inventor: **Hsun-Fang Chang**, 16, Lane 277,
Chung Shan Rd, Sec 2, Yuan Lin Town,
Changhua, Taiwan

[**] Term: **14 Years**

[21] Appl. No.: **50,044**

[22] Filed: **Feb. 7, 1996**

[51] LOC (6) Cl. **21-02**

[52] U.S. Cl. **D21/193**

[58] Field of Search D21/191, 192,
D21/193, 194; 482/52, 131, 146, 147, 124

[56] **References Cited**

U.S. PATENT DOCUMENTS

D. 349,931	8/1994	Bostic et al.	D21/193
D. 352,980	11/1994	Wu	D21/191
D. 358,182	5/1995	Yang	D21/193
D. 362,479	9/1995	Destasio, Jr.	D21/193

4,505,476	3/1985	Rubin	482/147
4,638,996	1/1987	Simjian	482/147
4,953,858	9/1990	Zelli	482/147
5,284,461	2/1994	Wilkinson et al.	482/147

Primary Examiner—Philip S. Hyder

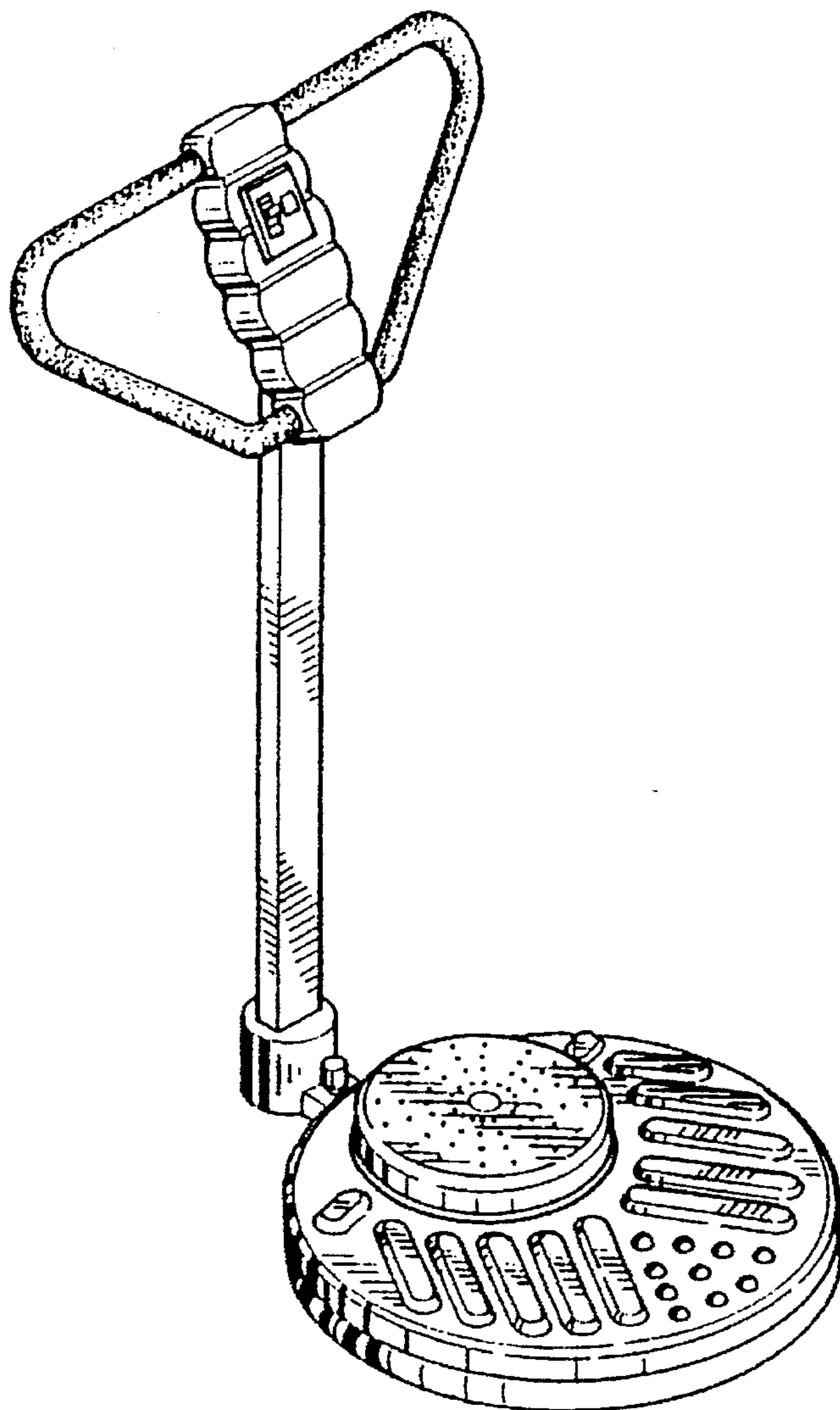
[57] **CLAIM**

The ornamental design for a twisting exercise apparatus, as shown and described.

DESCRIPTION

FIG. 1 is a front elevational view of a twisting exercise apparatus showing my new design;
FIG. 2 is a rear elevational view thereof;
FIG. 3 is a left side elevational view thereof;
FIG. 4 is a right side elevational view thereof;
FIG. 5 is a top plan view thereof;
FIG. 6 is a bottom plan view thereof; and,
FIG. 7 is a perspective view thereof;

1 Claim, 4 Drawing Sheets



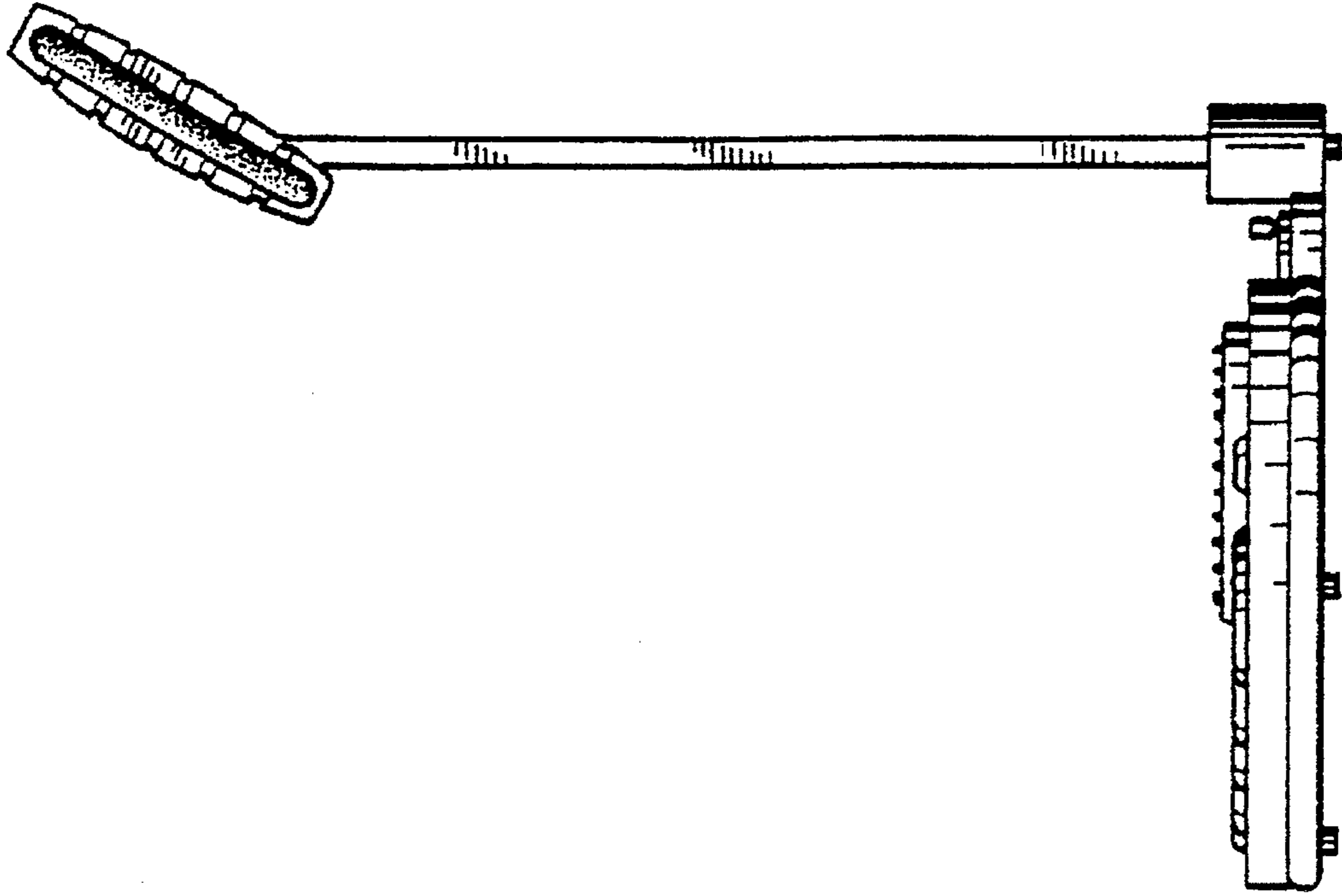


FIG. 2

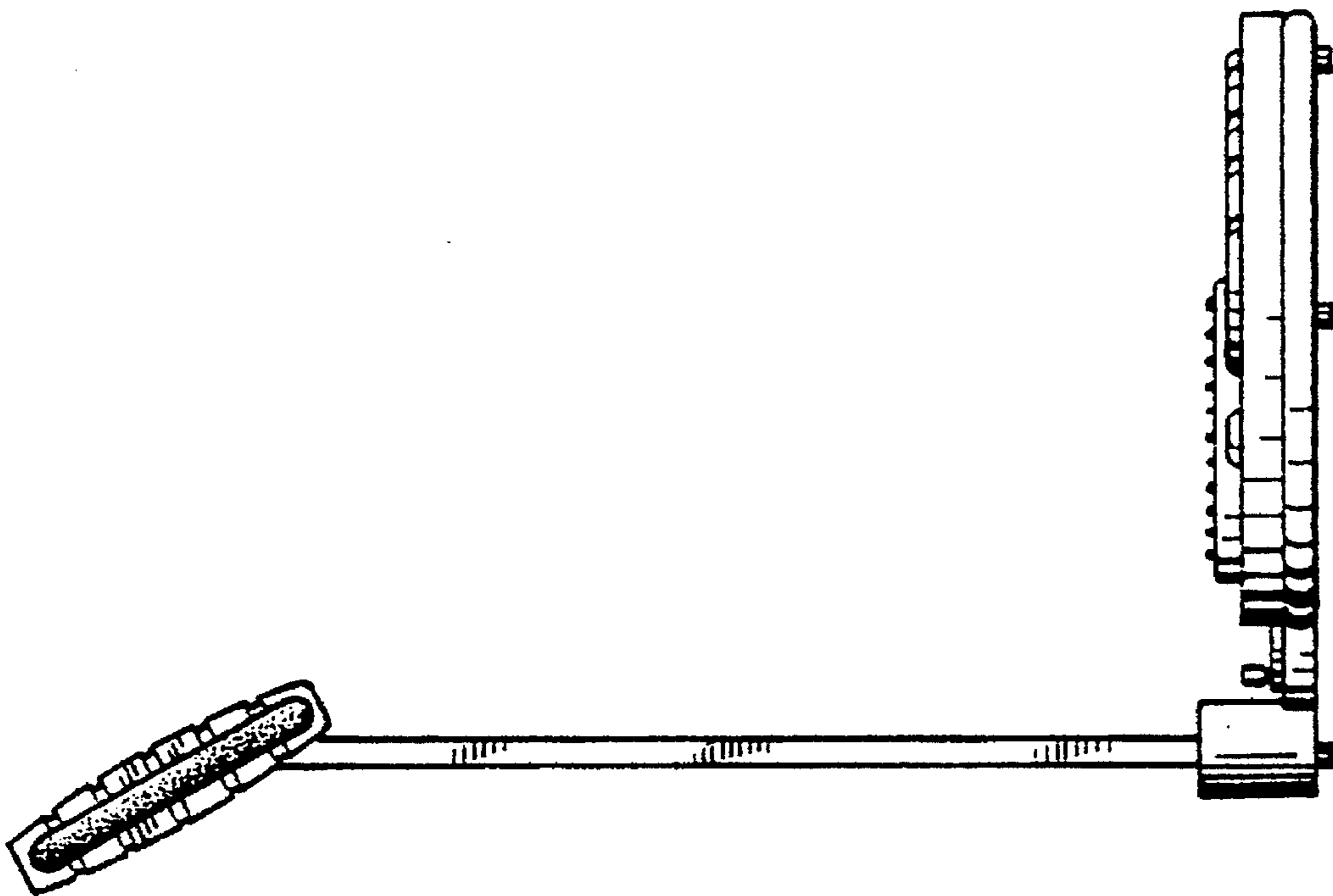


FIG. 1

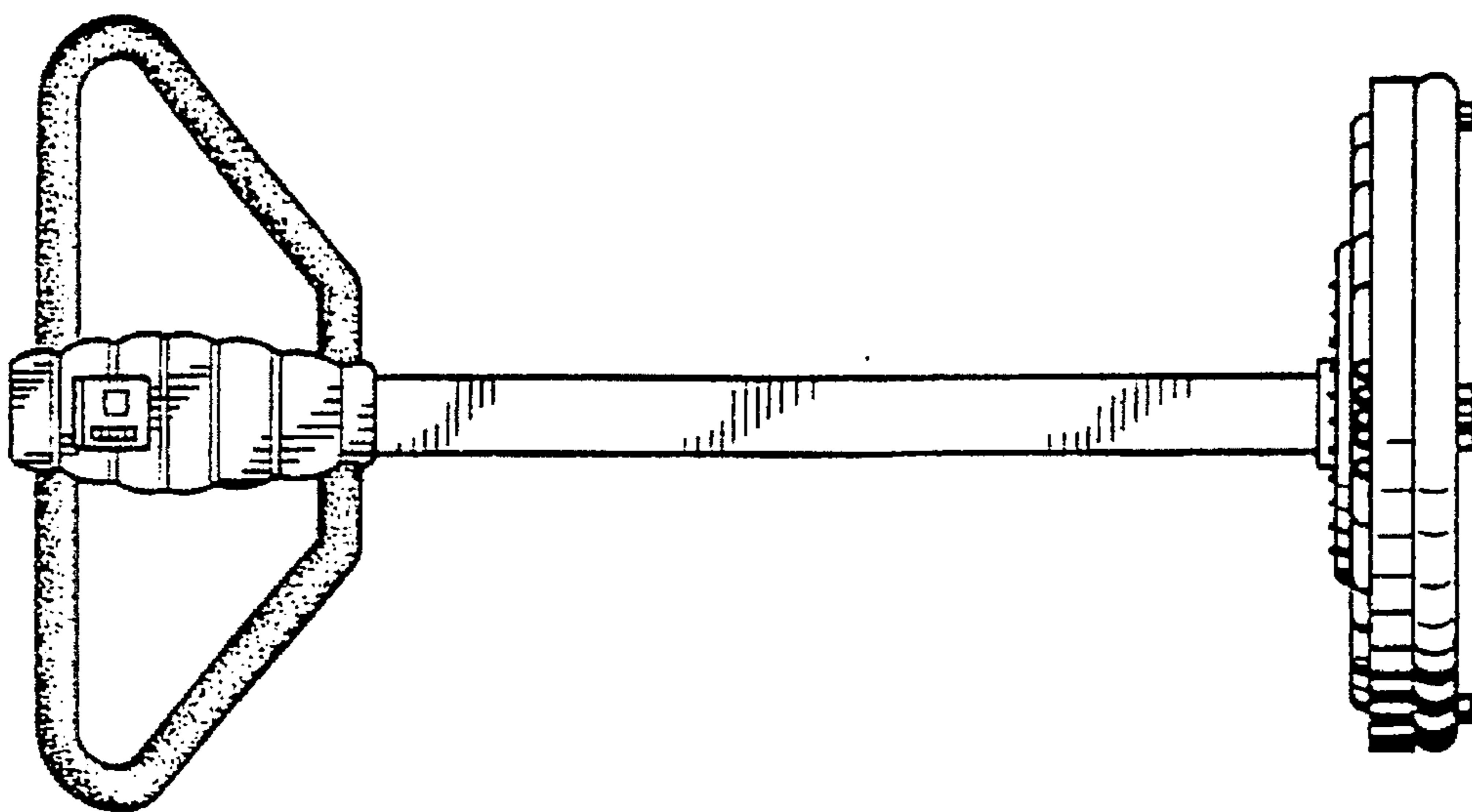


FIG. 4

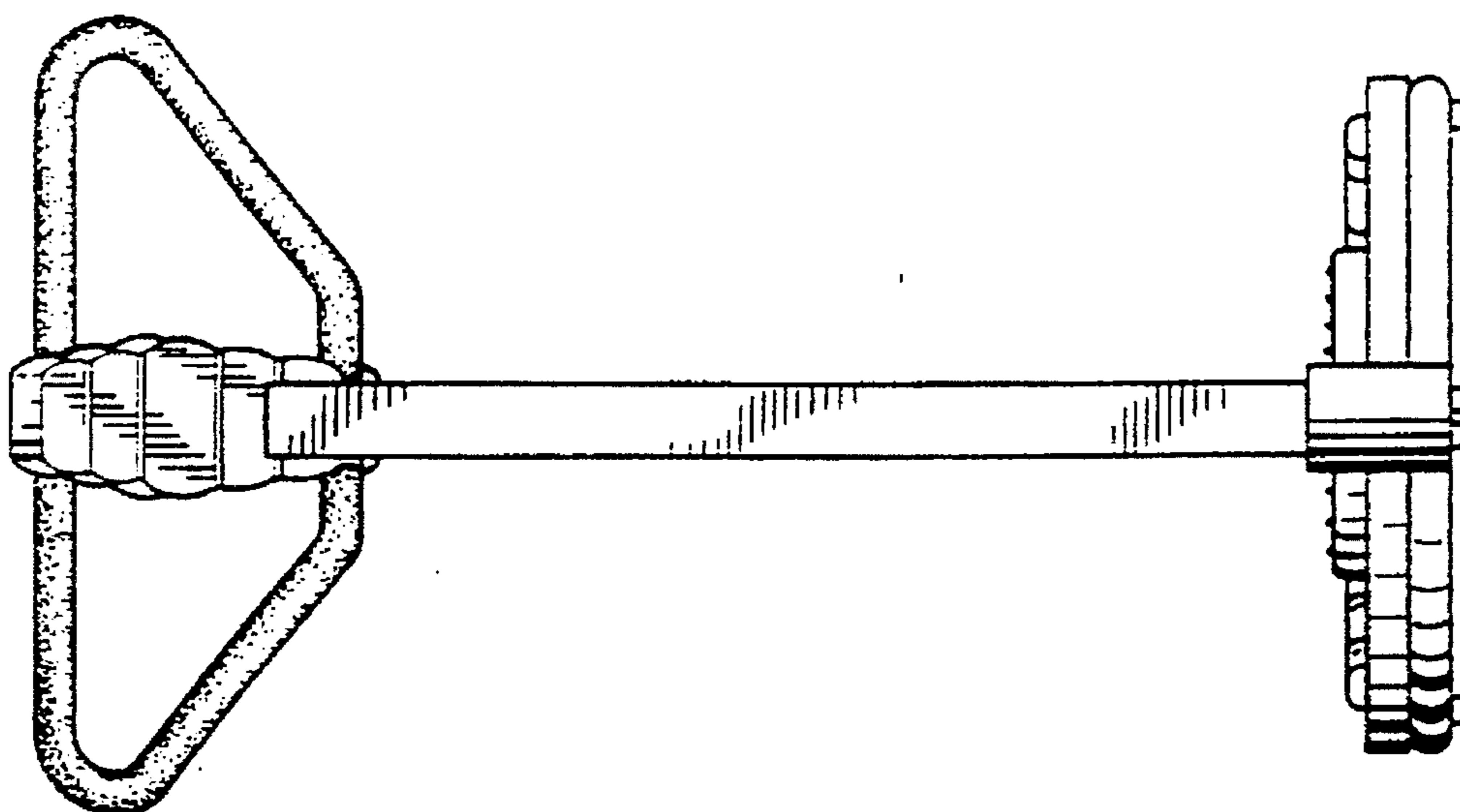


FIG. 3

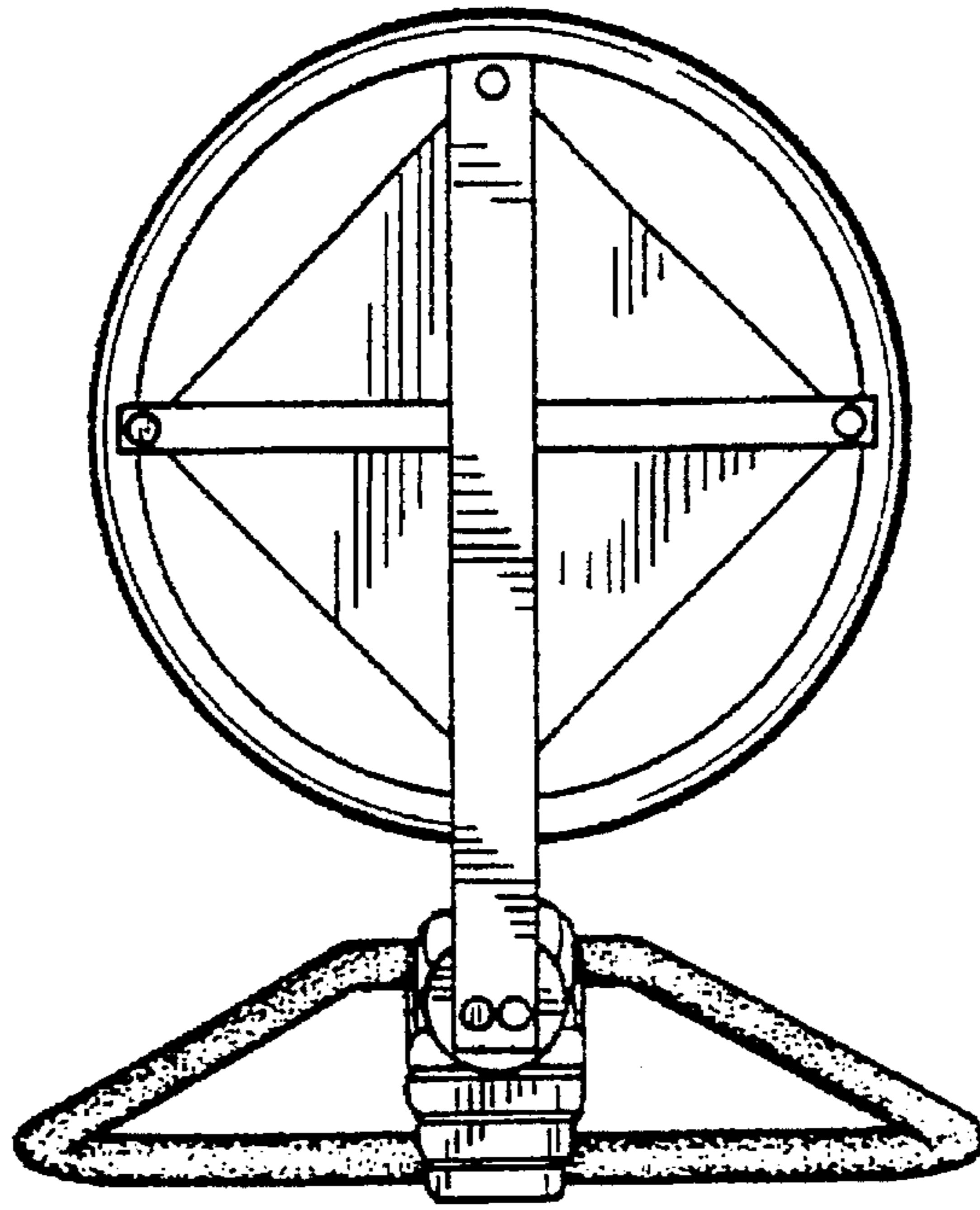


FIG. 6

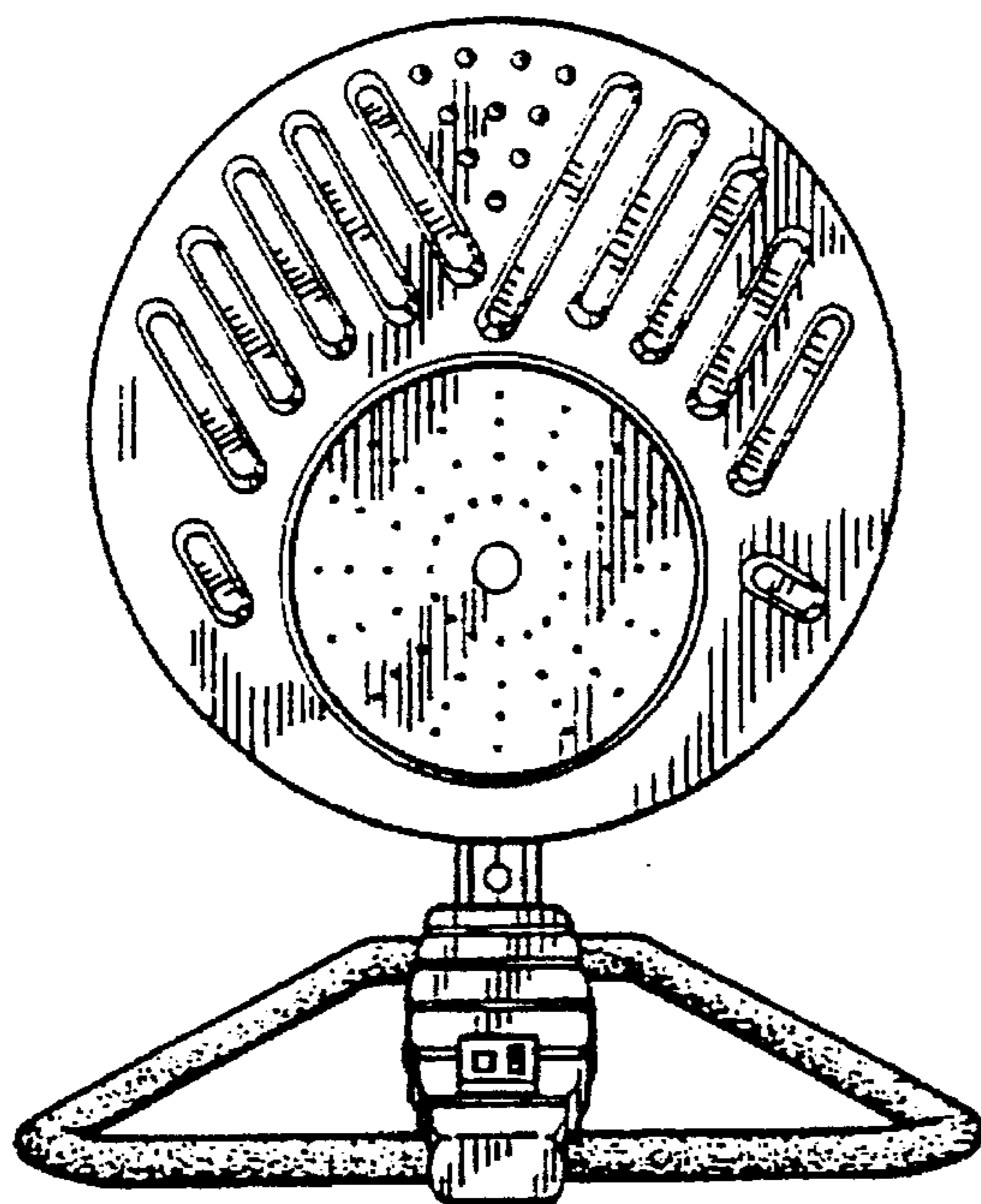


FIG. 5

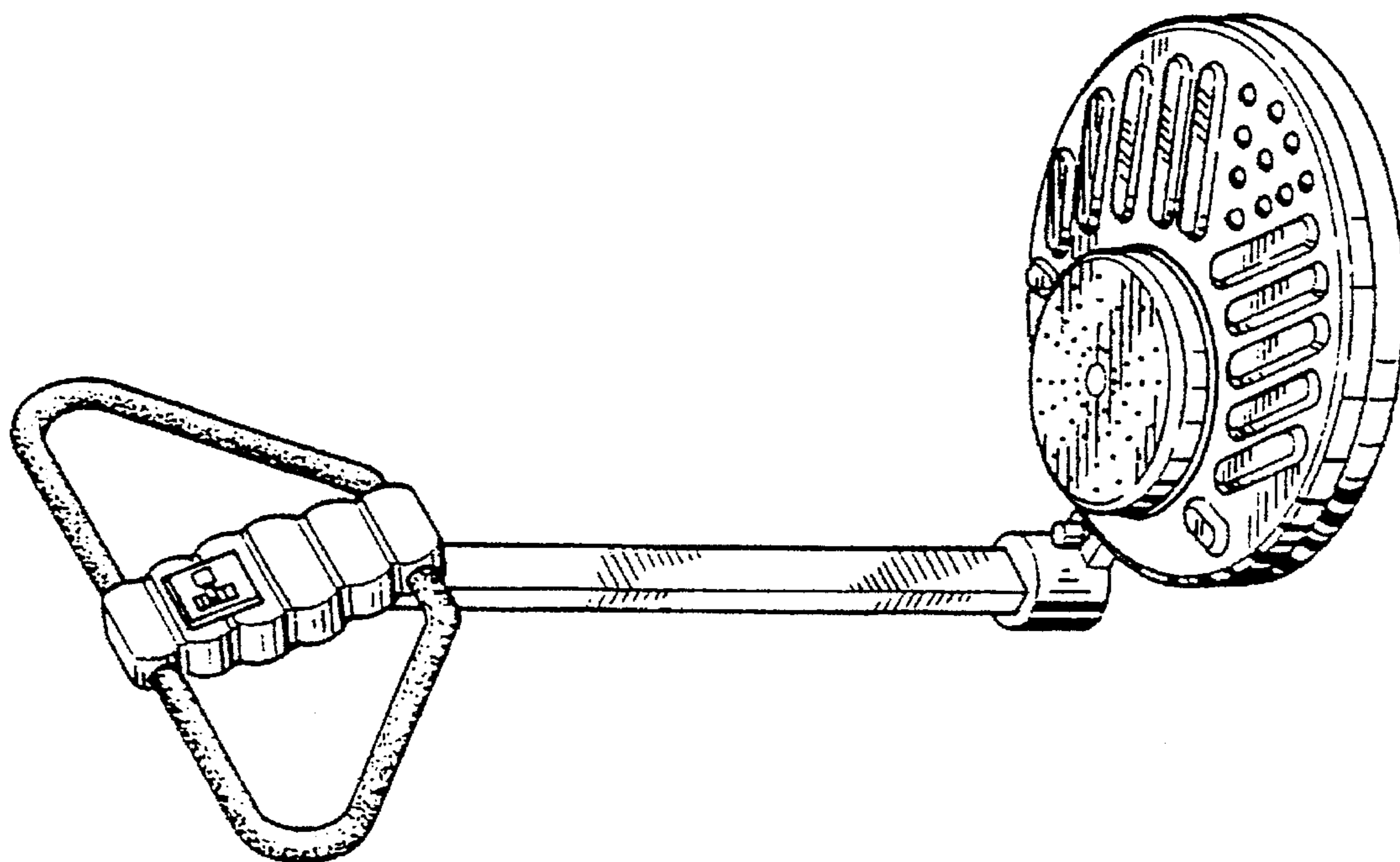


FIG. 7