



US00D380504S

United States Patent [19]
Yang

[11] **Patent Number:** **Des. 380,504**

[45] **Date of Patent:** ****Jul. 1, 1997**

[54] **TOY RICE COOKER**

[76] **Inventor:** **Chin-Long Yang**, No. 48, Lane 502,
Wen Shyan Rd., Tainan City, Taiwan

[**] **Term:** **14 Years**

[21] **Appl. No.:** **43,203**

[22] **Filed:** **Aug. 29, 1995**

[51] **LOC (6) Cl.** **21-01**

[52] **U.S. Cl.** **D21/122; D7/354**

[58] **Field of Search** **D21/59, 109, 122;**
D7/354, 360; 446/475, 479, 483, 491, 481

[56] **References Cited**

U.S. PATENT DOCUMENTS

D. 253,388	11/1979	Boldt et al.	D7/360
D. 279,699	7/1985	Coyne	D21/122
D. 282,942	3/1986	Hartelius	D21/122
D. 345,485	3/1994	Leung	D7/354
D. 346,527	5/1994	Del Fresno	D7/354

D. 347,352	5/1994	Myers et al.	D7/354
5,306,192	4/1994	Caveza et al.	446/481
5,528,014	6/1996	Goldberg et al.	446/481

Primary Examiner—Raphael Barkai
Attorney, Agent, or Firm—Morton J. Rosenberg; David I. Klein

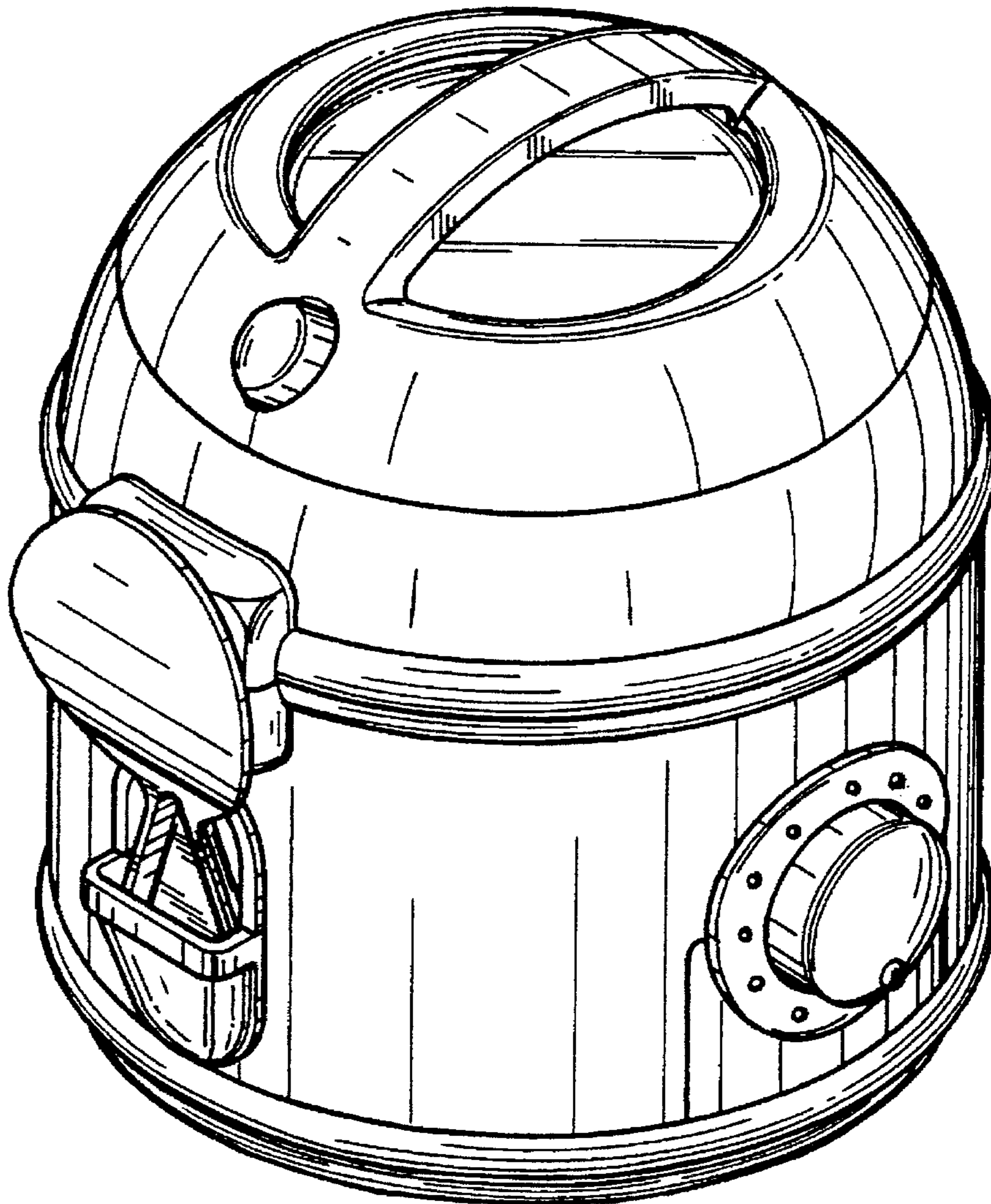
[57] **CLAIM**

The ornamental design for a toy rice cooker, as shown and described.

DESCRIPTION

FIG. 1 is a perspective view of a toy rice cooker showing my present design;
FIG. 2 is a front view thereof;
FIG. 3 is a rear view thereof;
FIG. 4 is a left view thereof;
FIG. 5 is a right view thereof;
FIG. 6 is a top plan view thereof; and,
FIG. 7 is a bottom plan view.

1 Claim, 4 Drawing Sheets



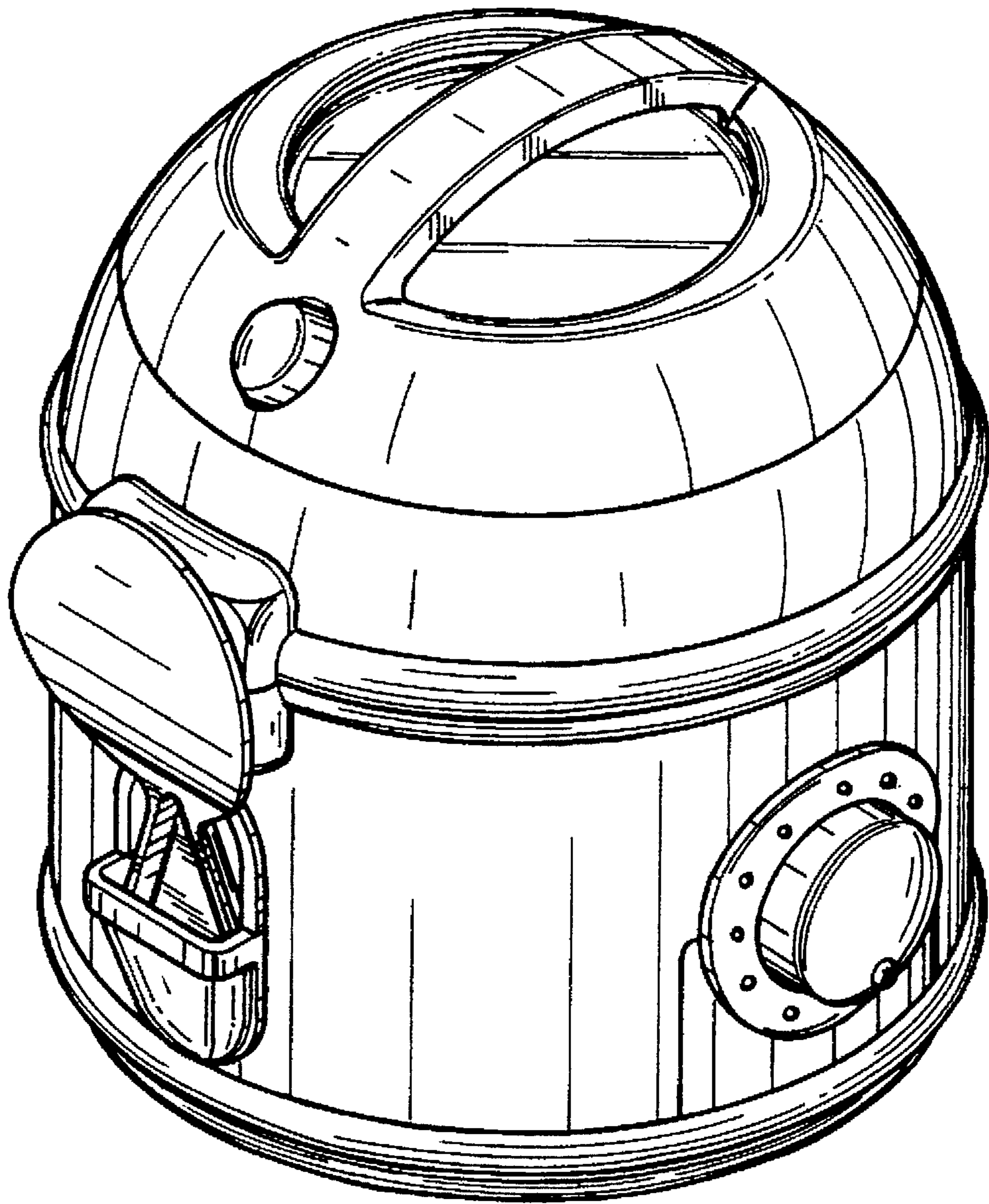


FIG. 1

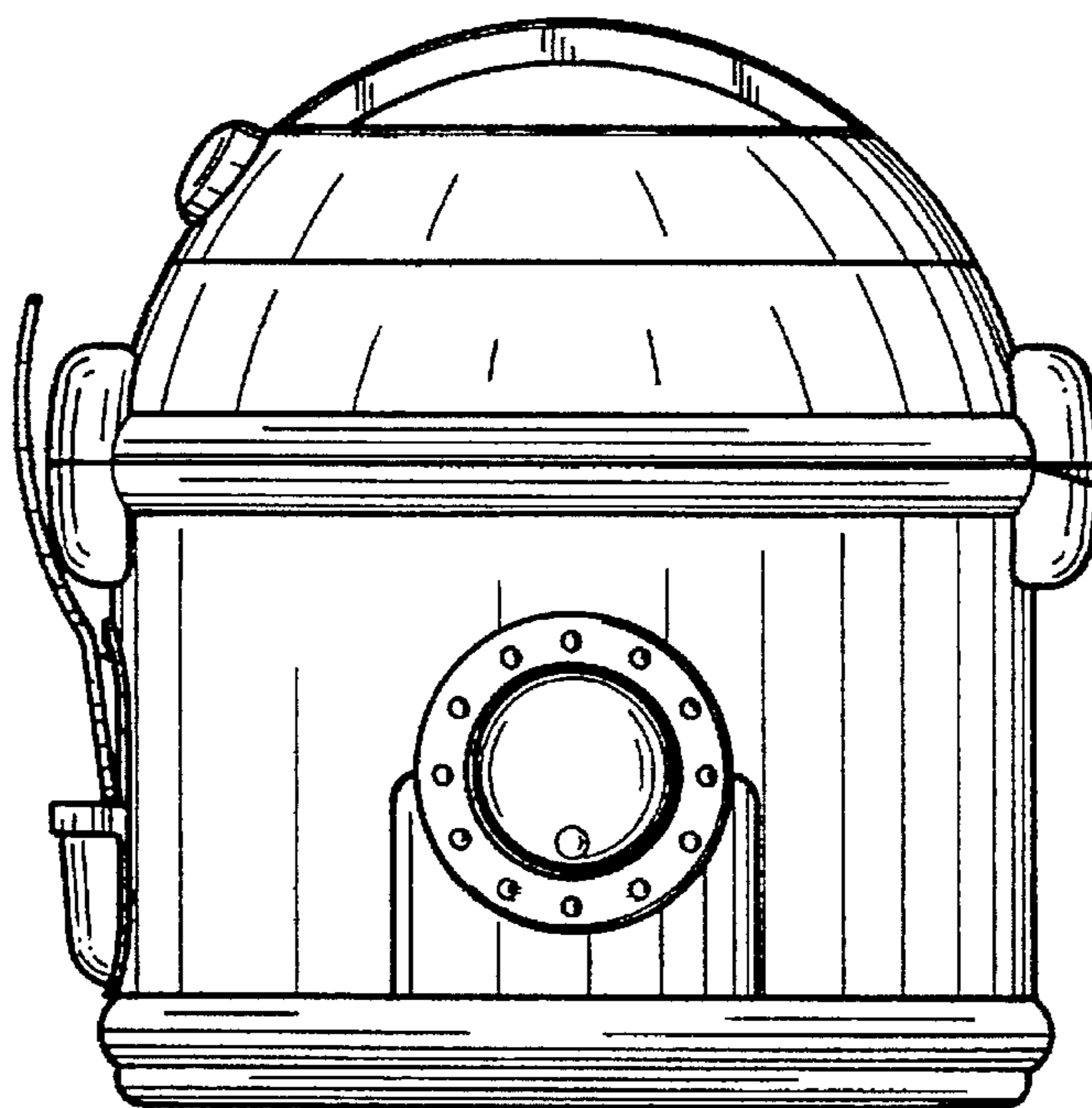


FIG. 2

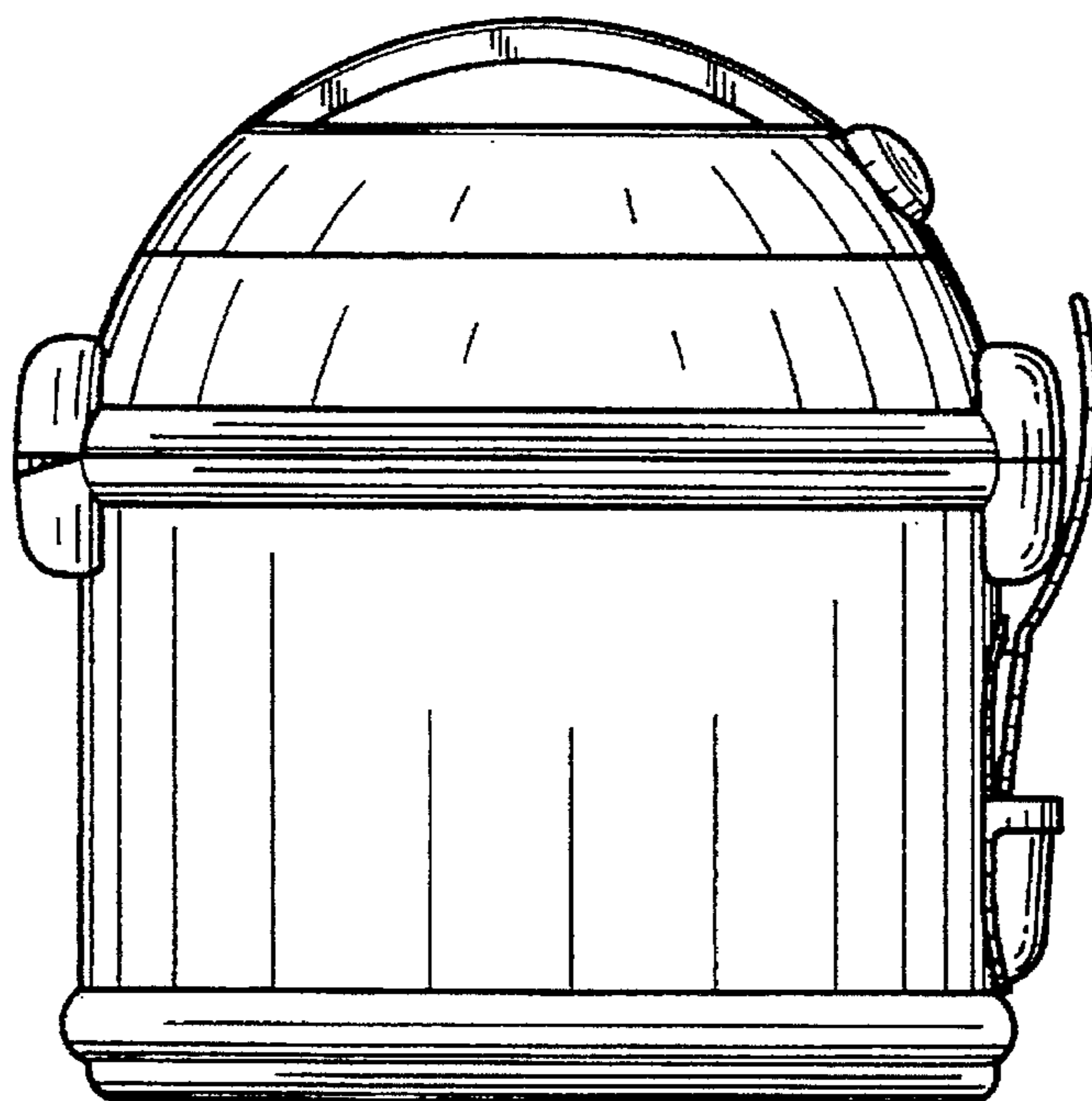


FIG. 3

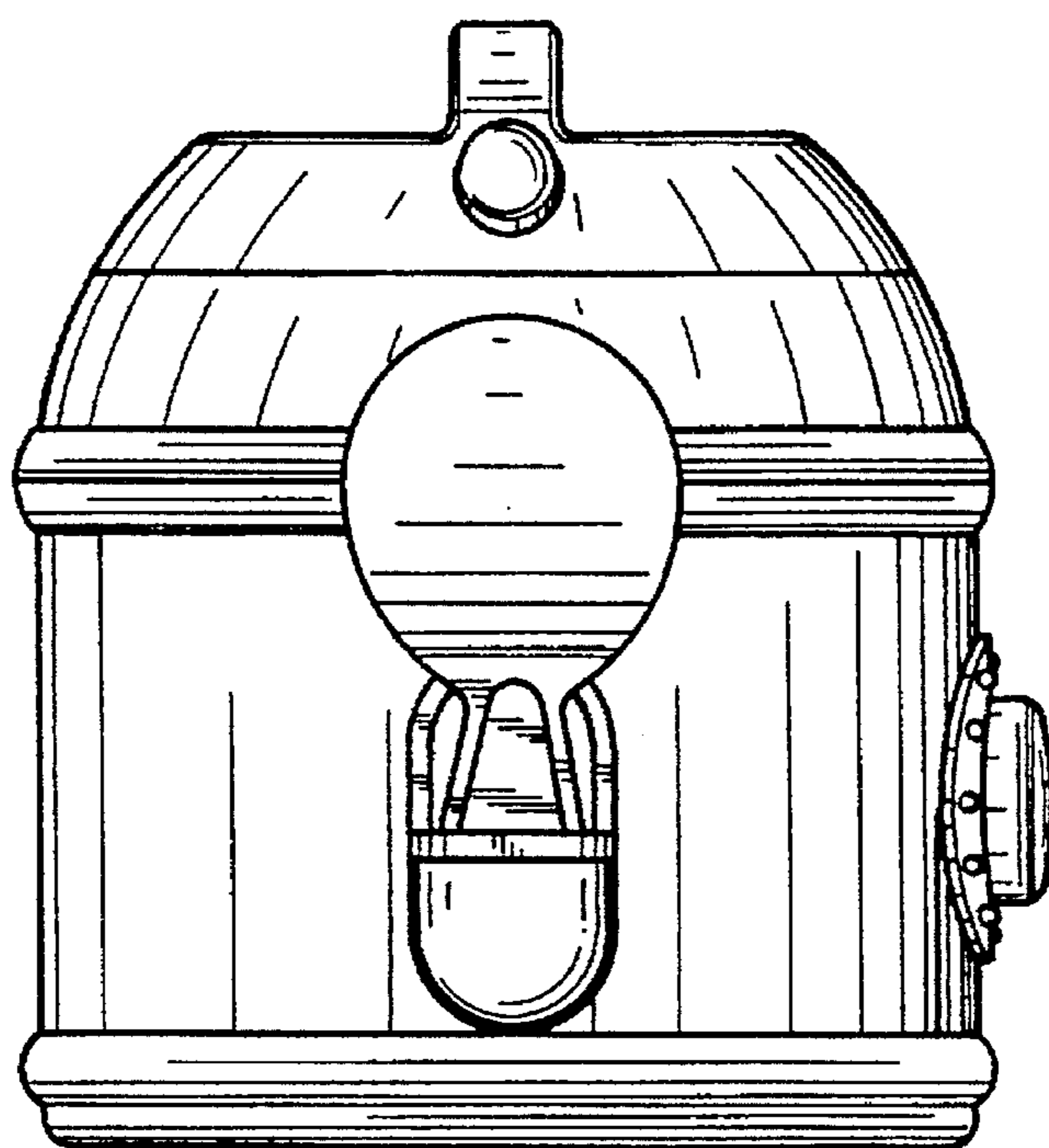


FIG. 4

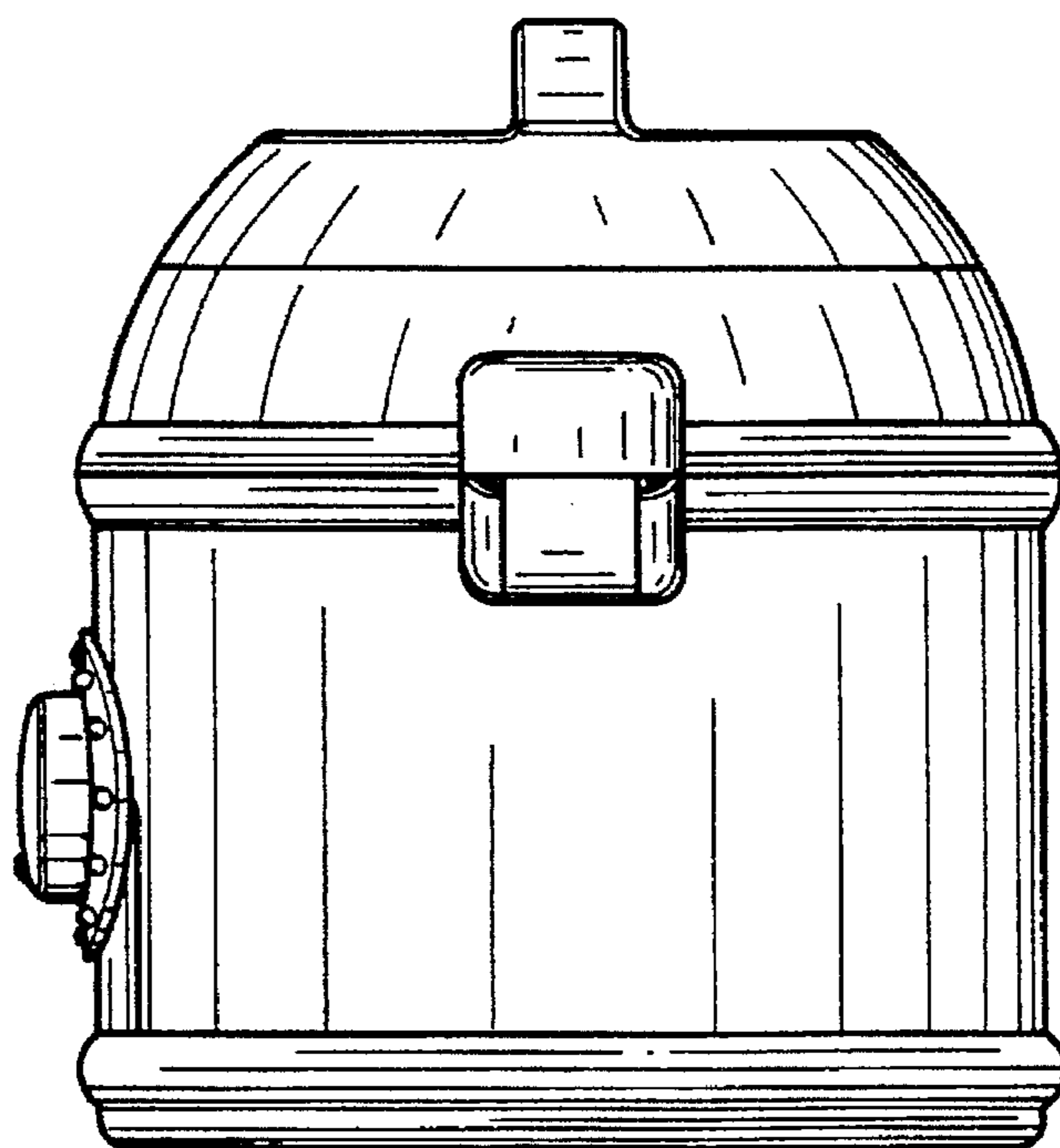


FIG. 5

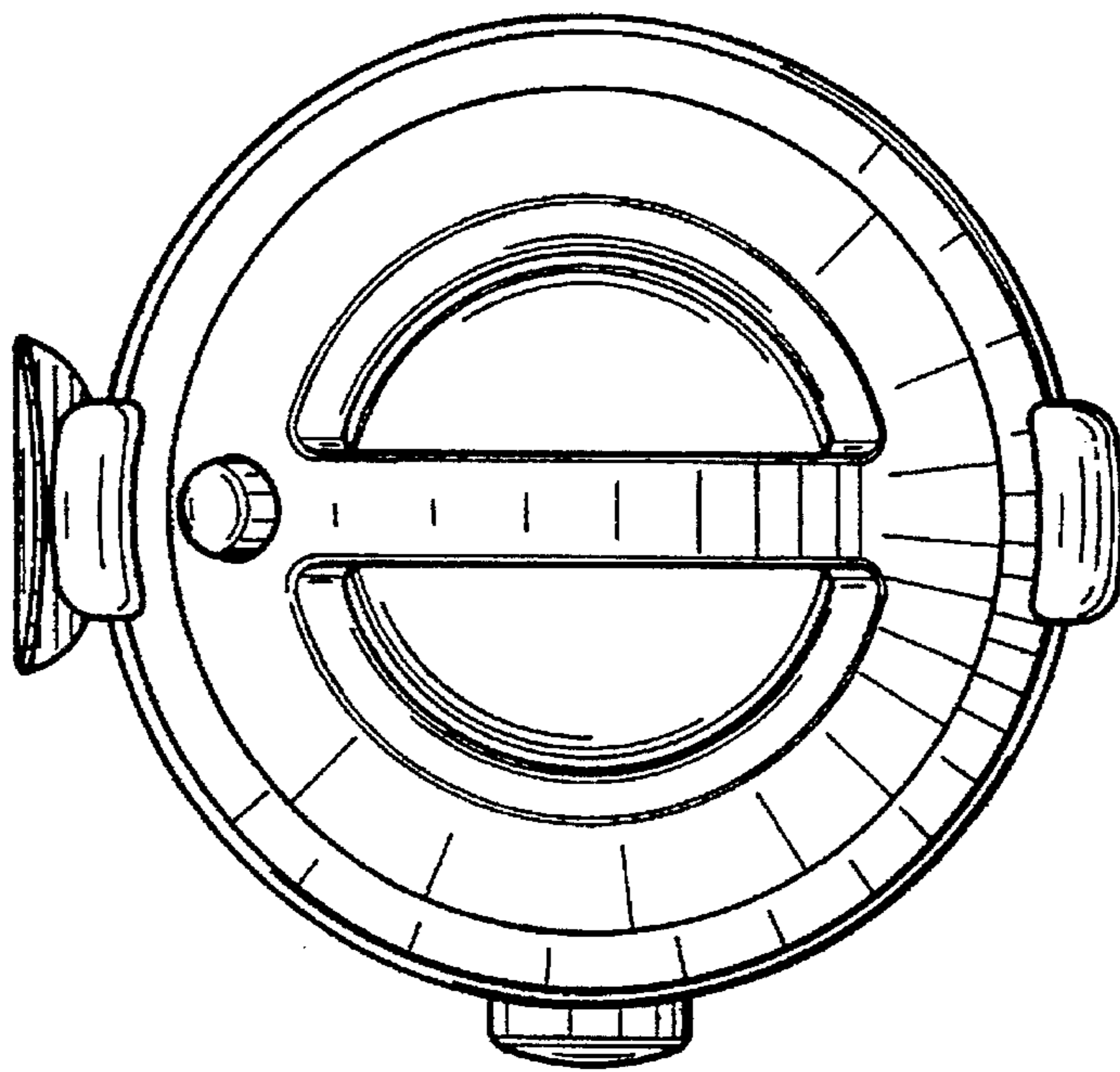


FIG. 6

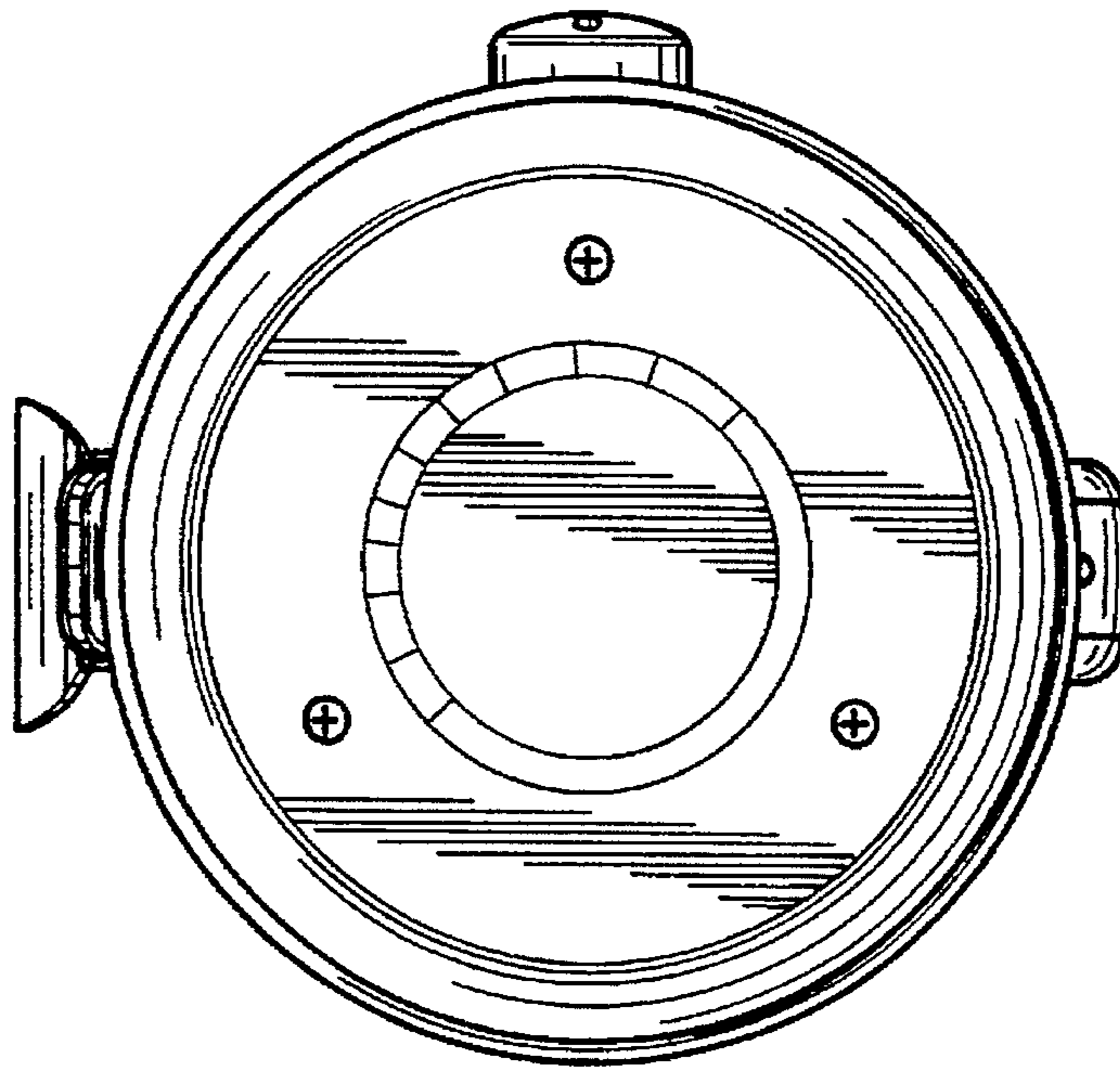


FIG. 7