



US00D380501S

# United States Patent [19]

[11] Patent Number: Des. 380,501

Osterhout et al.

[45] Date of Patent: \*\*Jul. 1, 1997

[54] **HAND-HELD ELECTRONIC GAME HOUSING**

5,217,295 6/1993 Tortola et al. .... 362/109  
5,232,223 8/1993 Dornbusch ..... 273/148 B

[75] Inventors: **Ralph F. Osterhout; Hamid Arjomand**, both of San Francisco, Calif.; **Hon Kin Ngan**, New Territories, Hong Kong

### OTHER PUBLICATIONS

Hong Kong Enterprise, Oct. 1992, p. 174.  
Electronic Translators, Dictionaries & Games products of RJP International Ltd., Hong Kong Enterprise, "Electrical Appliances & Electronics", Oct. 1992, p. 353.  
Lakeside's Le Boom, *Playthings*, Mar. 1980, p. 16.  
Merlin, technical information/rules for playing, Parker Brothers, 1978, 15 pages.  
Midway Mortal Kombat product, shown in p. 84 (copyright 1992) from Jan. 1994 edition of Tiger Electronics, Inc. book entitled *Lightning Strikes Again*.  
Ms. Pac/Man/Donkey Kong, Jr. products, by Coleco, "Electronic circuit", undated page.  
Outlaw shootout product by Atari, shown on p. 52 of *Vending Times*, Mar. 1976.

[73] Assignee: **Tiger Electronics, Inc.**, Vernon Hills, Ill.

[\*\*] Term: **14 Years**

[21] Appl. No.: **48,986**

[22] Filed: **Jan. 11, 1996**

[51] LOC (6) Cl. .... **21-01**

[52] U.S. Cl. .... **D21/13**

[58] Field of Search ..... D21/1, 13, 48;  
273/148 B; 463/29-35, 40-47; D14/124,  
125

(List continued on next page.)

### [56] References Cited

#### U.S. PATENT DOCUMENTS

D. 270,075	8/1983	Tsuyuki	.....	D21/13
D. 309,161	7/1990	Leung	.....	D21/13
D. 318,884	8/1991	Kojo	.....	D21/13
D. 320,624	10/1991	Taylor	.....	D21/13
D. 329,470	9/1992	Kaneko	.....	D21/13
D. 334,218	3/1993	Lee	.....	D21/13
D. 342,762	12/1993	Wing	.....	D21/48
D. 347,450	5/1994	Nagata et al.	.....	D21/13
D. 347,864	6/1994	Duong	.....	D21/48
D. 353,410	12/1994	Chan	.....	D21/48
D. 353,631	12/1994	Dudley et al.	.....	D21/13
D. 354,993	1/1995	Morrison et al.	.....	D21/13
D. 355,644	2/1995	Risko	.....	D14/100
D. 356,344	3/1995	Rissman et al.	.....	D21/48
D. 358,430	5/1995	Rissman et al.	.....	D21/13
D. 359,992	7/1995	Chan	.....	D21/48
D. 360,436	7/1995	Chan	.....	D21/48
D. 362,692	9/1995	Rissman et al.	.....	D21/13
D. 369,190	4/1996	Feiz	.....	D21/13
5,095,798	3/1992	Okada et al.	.....	84/609
5,161,803	11/1992	Ohara	.....	273/435
5,184,830	2/1993	Okada et al.	.....	463/29
5,213,327	5/1993	Kitaue	.....	273/148 B

Primary Examiner—Prabhakar G. Deshmukh  
Attorney, Agent, or Firm—Fitch, Even, Tabin & Flannery

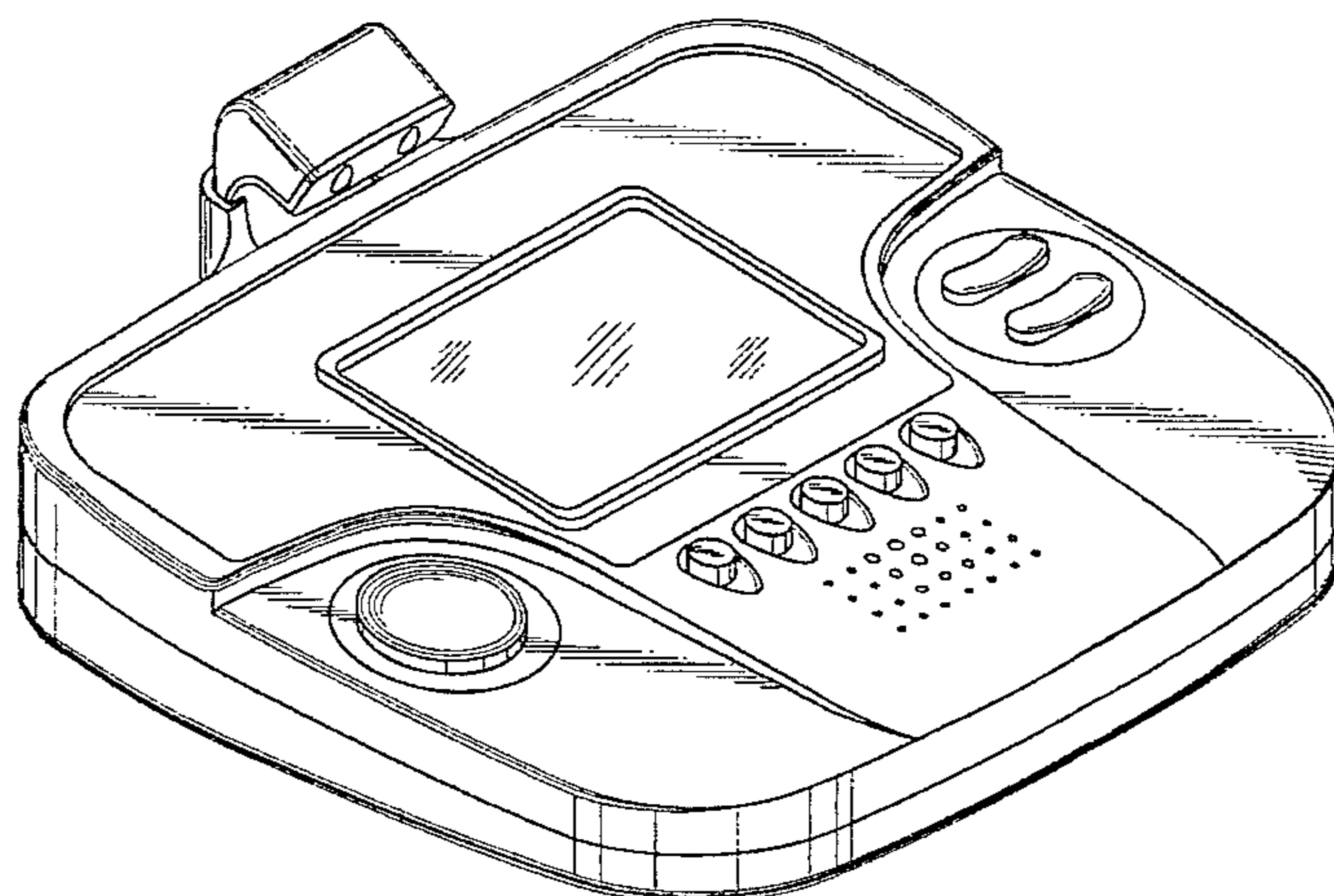
### [57] CLAIM

The ornamental design for the hand-held electronic game housing, as shown and described.

### DESCRIPTION

FIG. 1 is a perspective view of a hand-held electronic game housing showing our new design;  
FIG. 2 is a perspective view of the electronic game housing of FIG. 1, wherein the light is in a relatively extended position;  
FIG. 3 is a front elevational view of the housing of FIG. 1;  
FIG. 4 is a rear elevational view of the housing of FIG. 1;  
FIG. 5 is a left side elevational view of the housing of FIG. 1;  
FIG. 6 is a right side elevational view of the housing of FIG. 1;  
FIG. 7 is a top plan view of the housing of FIG. 1; and,  
FIG. 8 is a bottom plan view of the housing of FIG. 1.

1 Claim, 5 Drawing Sheets



**OTHER PUBLICATIONS**

Pen-Cu-Lator product of Leona Electronics Co., Ltd., Hong Kong Enterprise, "Electronic Appliances & Electronics", Oct. 1992, p. 279.

Space Master, Hong Kong Enterprise, "Electronic Appliances & Electronics", Oct. 1992, page unknown.

Wondermega product of Eternal Peace Electronics Ltd., Hong Kong Enterprise, "Electronic Appliance & Electronics", Oct. 1992, p. 174.

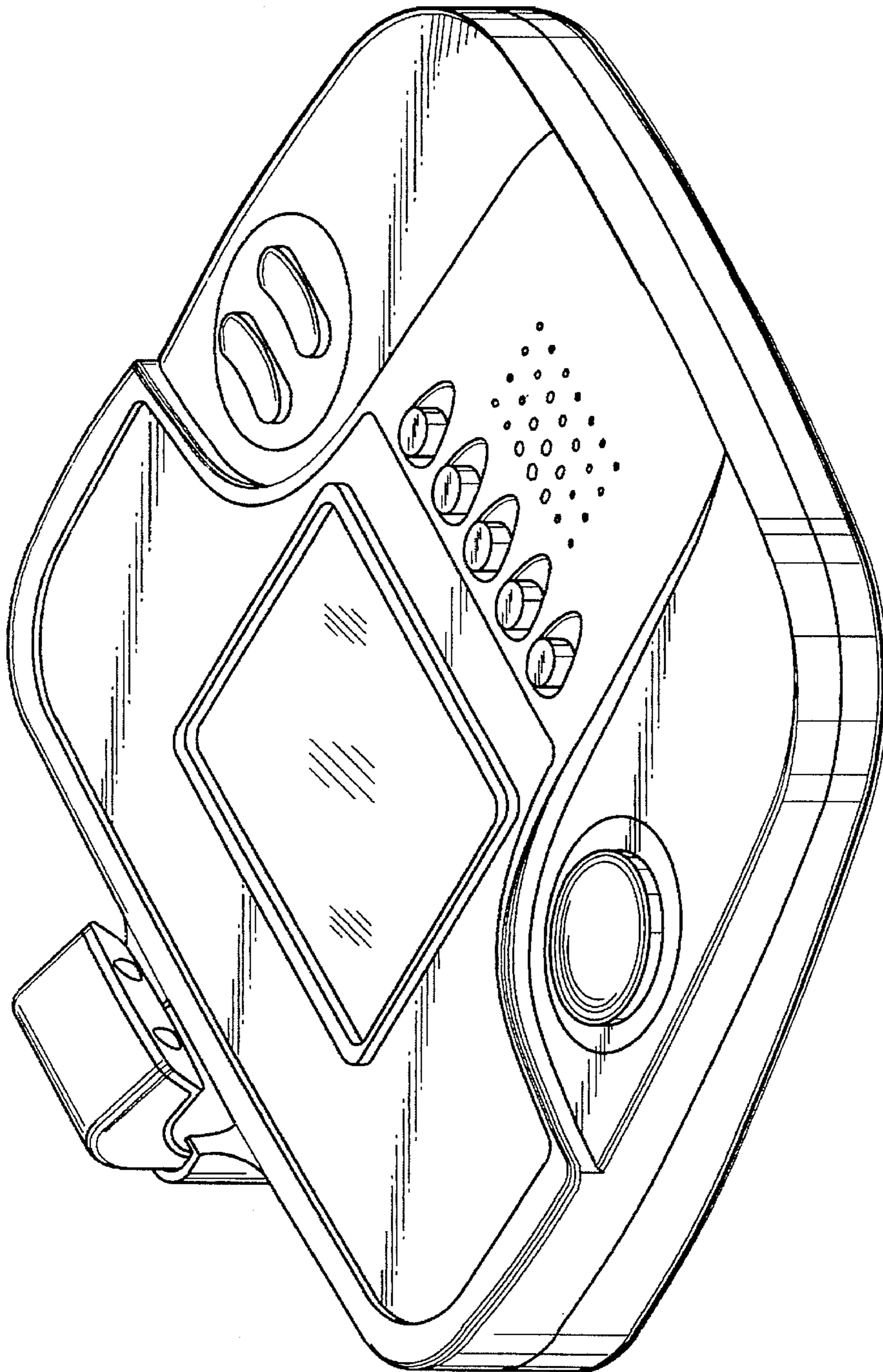


Fig. 1

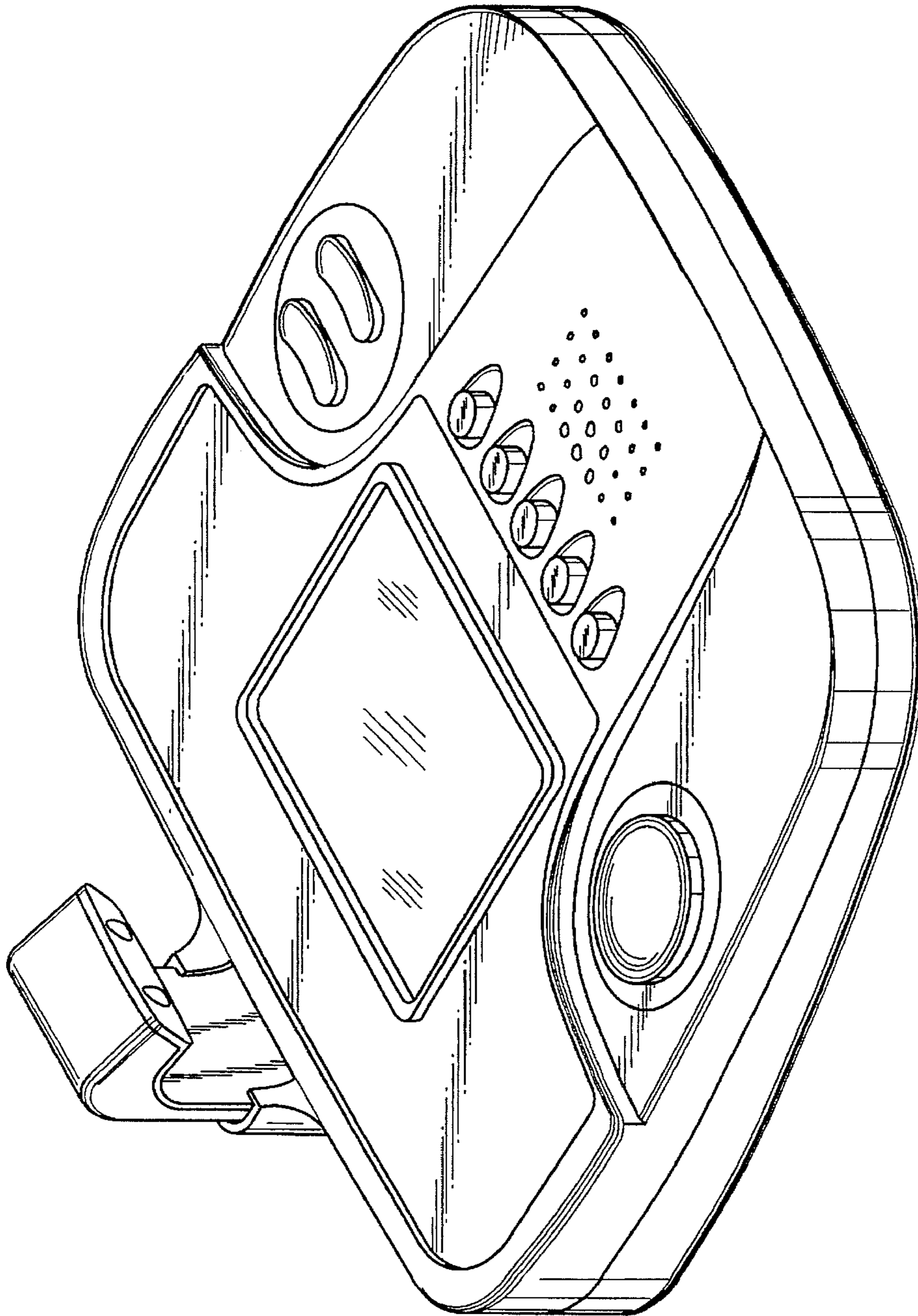
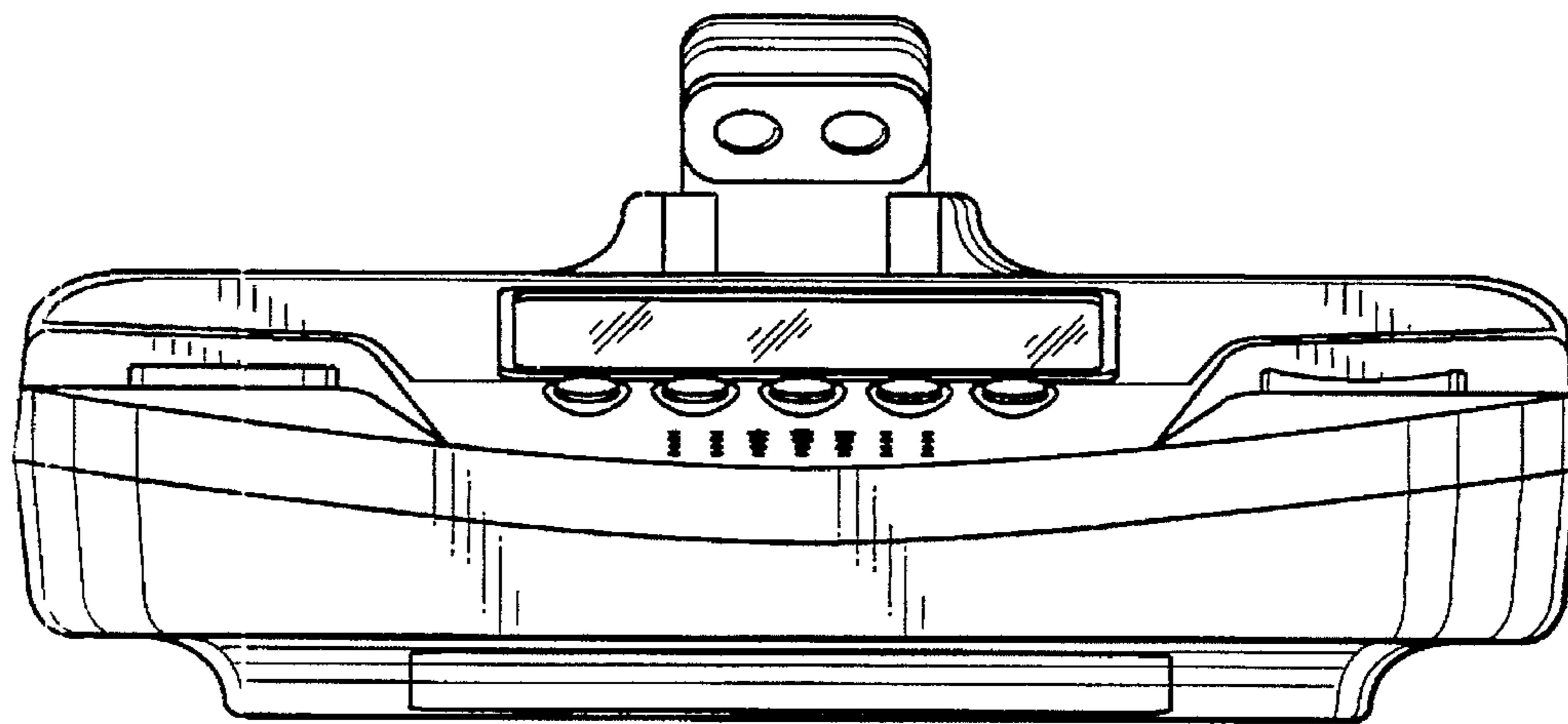
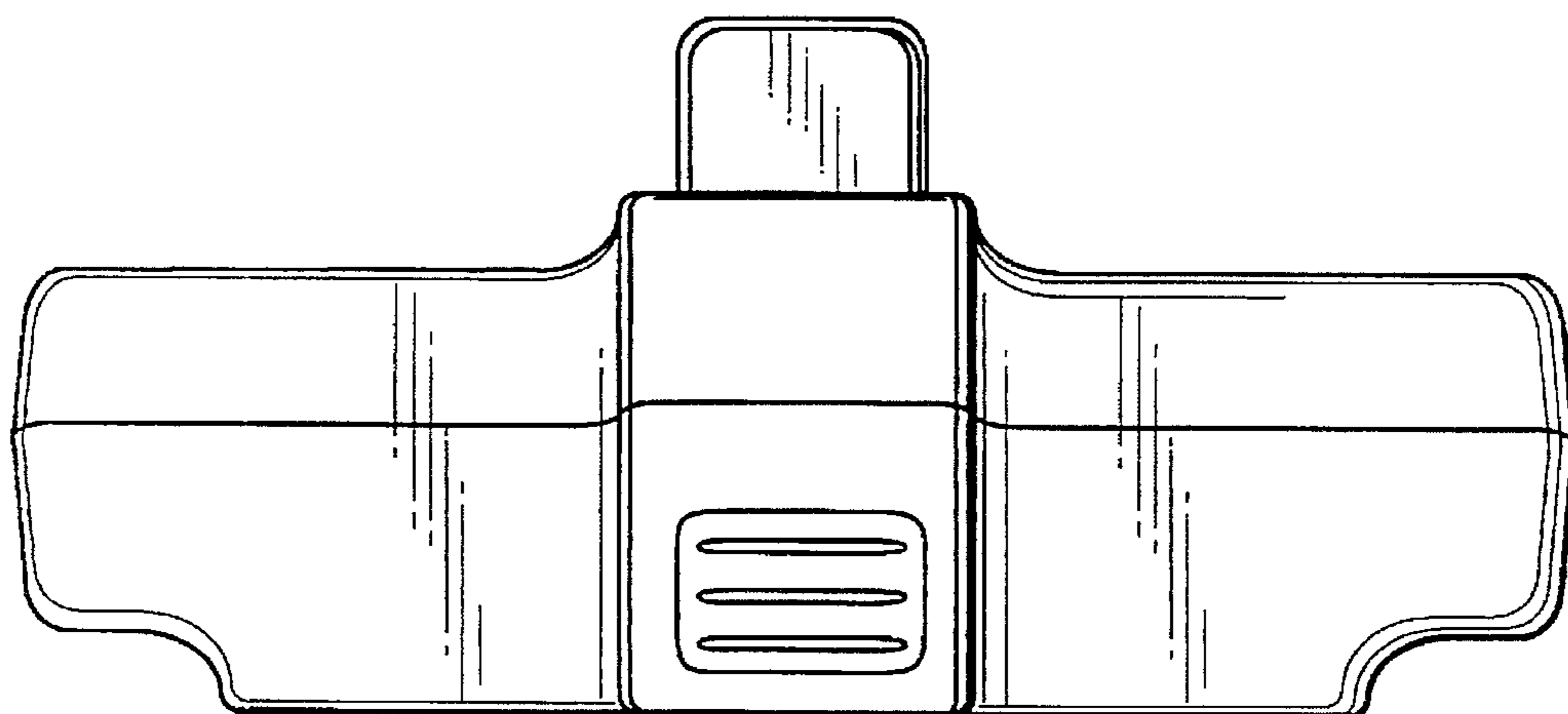


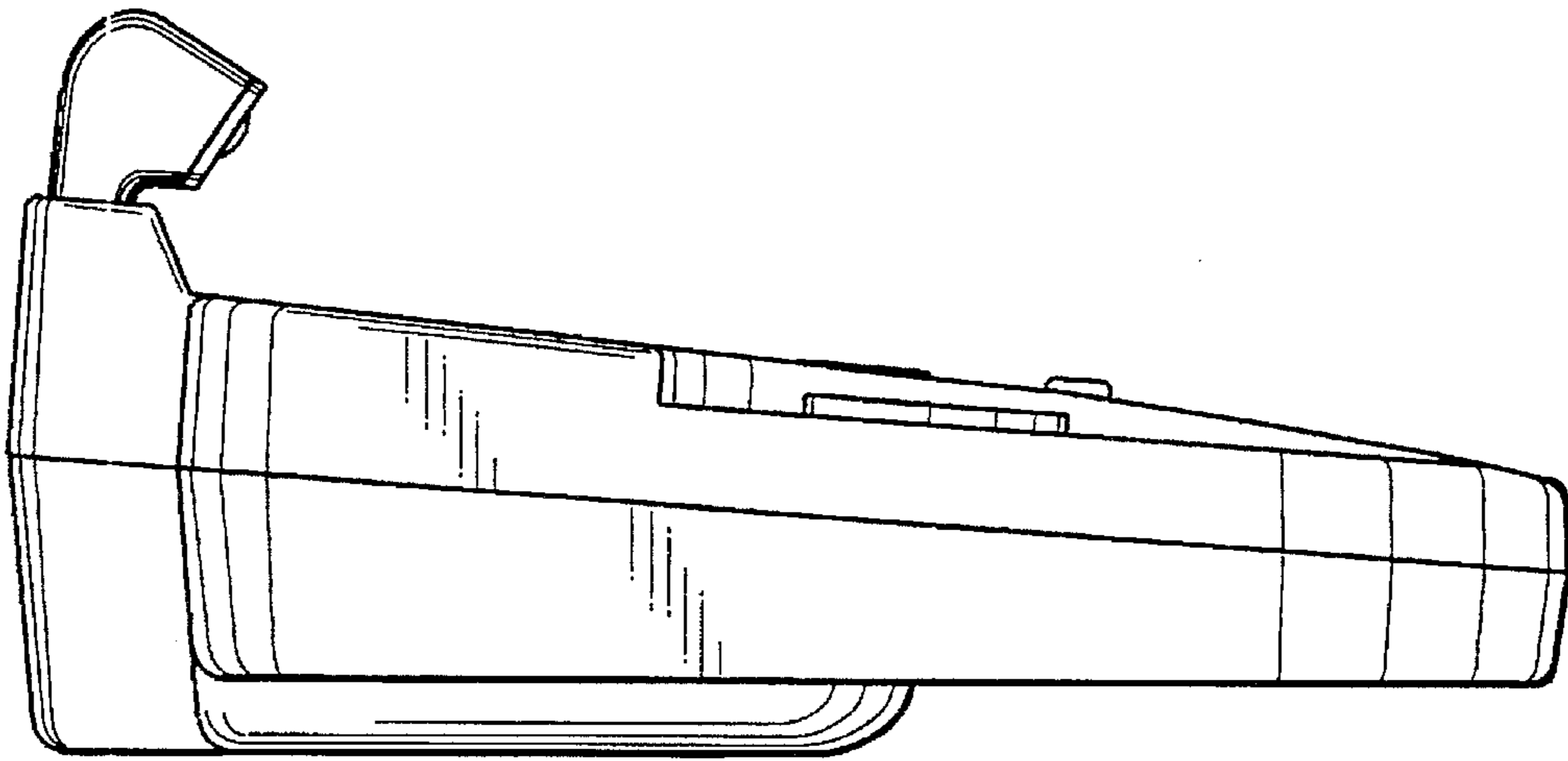
Fig. 2



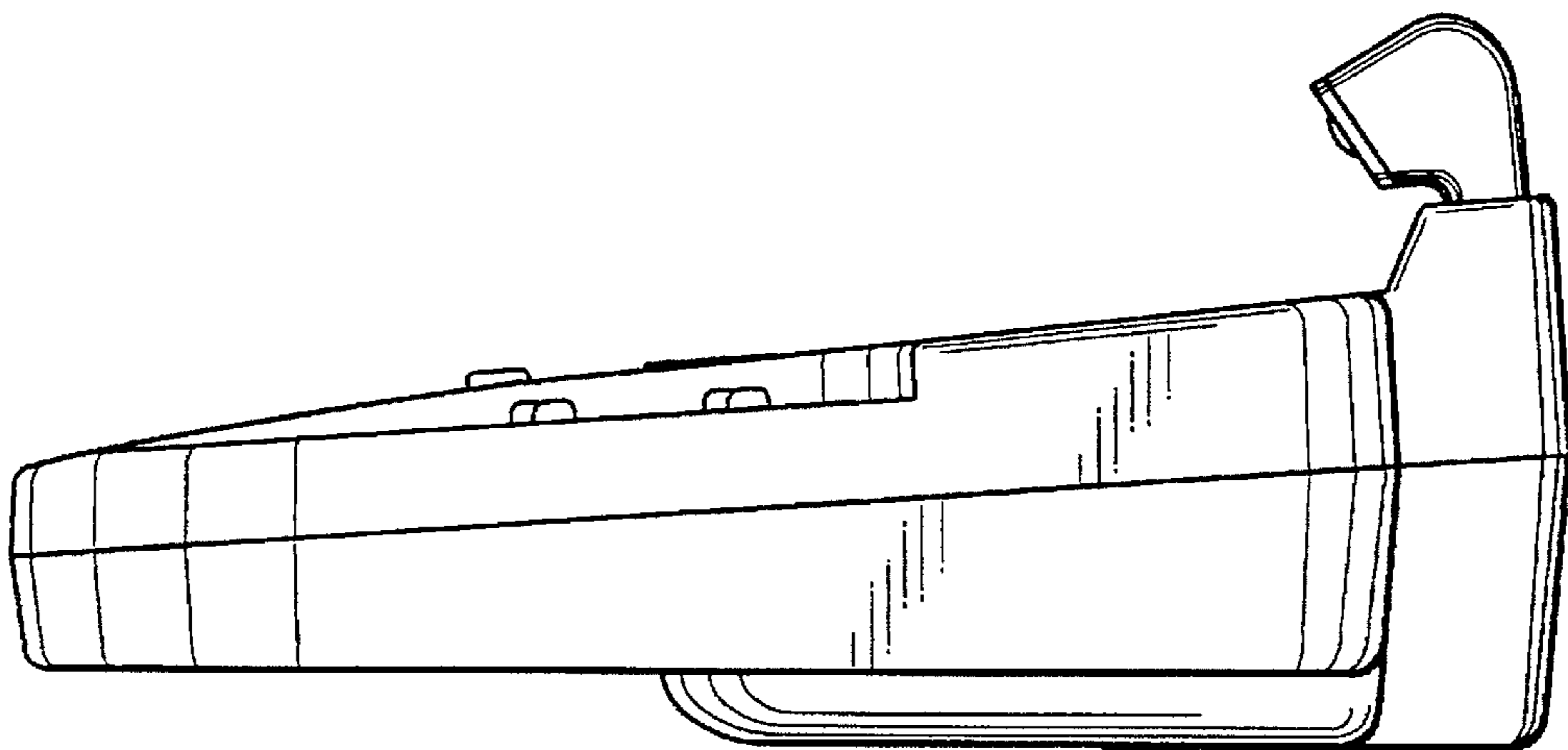
*Fig. 3*



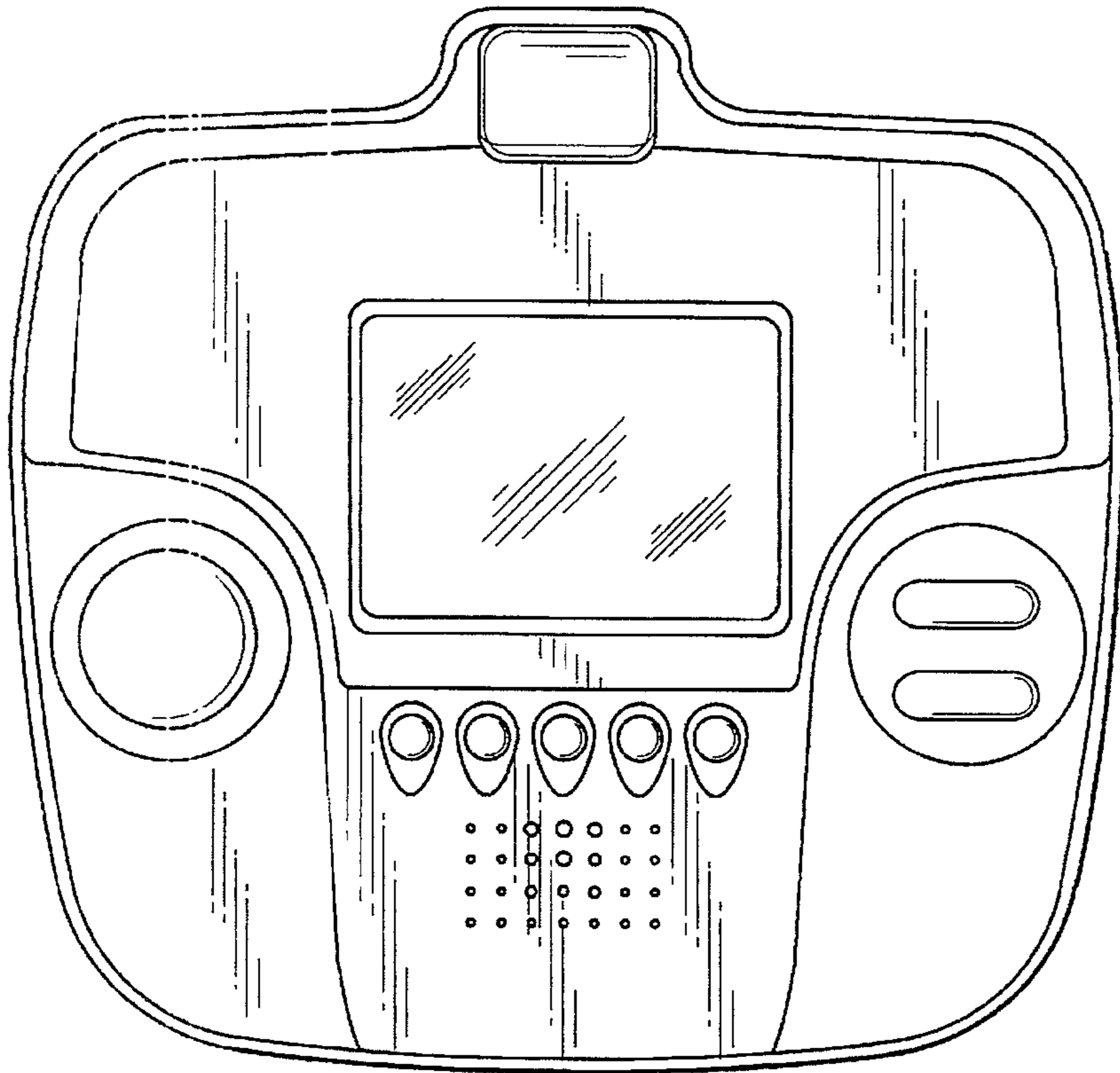
*Fig. 4*



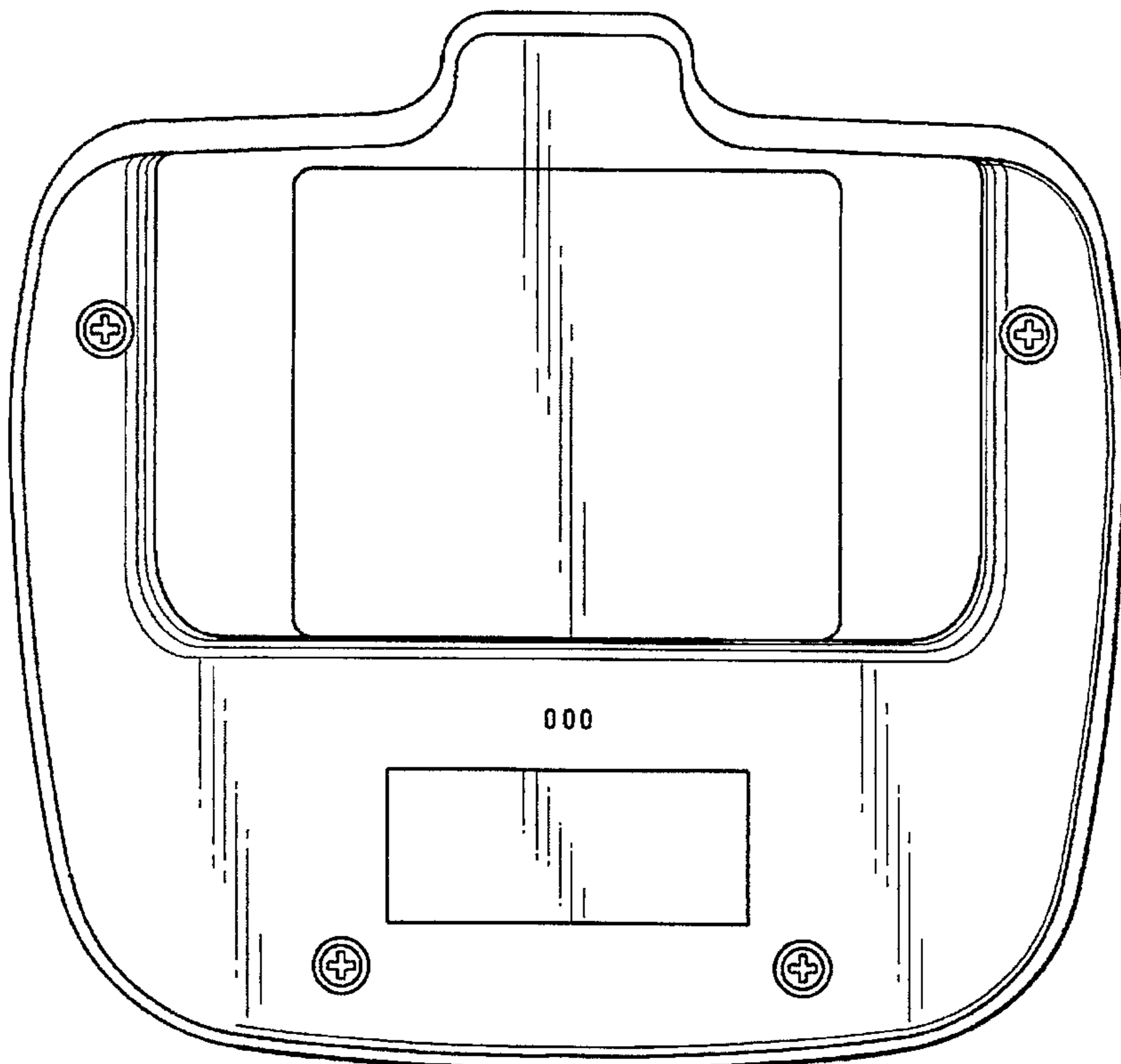
*Fig. 5*



*Fig. 6*



*Fig. 7*



*Fig. 8*