



US00D380498S

# United States Patent [19]

Lunetta

[11] Patent Number: Des. 380,498

[45] Date of Patent: \*\*Jul. 1, 1997

## [54] INTERACTIVE DISPLAY

[75] Inventor: Donald M. Lunetta, Chappaqua, N.Y.

[73] Assignee: Interactive Sales Systems, Chappaqua, N.Y.

[\*\*] Term: 14 Years

[21] Appl. No.: 49,896

[22] Filed: Feb. 2, 1996

[51] LOC (6) Cl. .... 20-03

[52] U.S. Cl. .... D20/10; D14/113

[58] Field of Search ..... 361/724, 728, 361/730; 362/812, 125; D6/486, 495; 40/605, 606, 607, 541; D20/10, 41, 17, 18; D25/16, 26; 248/923, 917, 919, 921, 920; 348/569, 836, 840, 839; D14/127, 126, 124, 128

## [56] References Cited

### U.S. PATENT DOCUMENTS

D. 294,262	2/1988	Thies et al.	.....	D14/113
D. 326,847	6/1992	Savio	.....	D14/113
D. 333,390	2/1993	McCauley	.....	D6/495 X
D. 337,104	7/1993	Orchard	.....	D14/113
D. 346,594	5/1994	Skaggs et al.	.....	D14/113
D. 354,052	1/1995	Imai	.....	D14/126 X
D. 357,468	4/1995	Rodd	.....	D14/113
D. 359,253	6/1995	Luttrull et al.	.....	D20/10 X
4,729,533	3/1988	Hillary et al.	.....	248/919 X

Primary Examiner—Susan J. Lucas  
Assistant Examiner—Jennifer A. Register  
Attorney, Agent, or Firm—St. Onge Steward Johnston & Reens

## [57] CLAIM

The ornamental design for an interactive display, as shown and described.

## DESCRIPTION

FIG. 1 is a perspective view of an interactive display in accordance with the invention;

FIG. 2 is a side view of the interactive display design of FIG. 1 being the same as the view of the other side;

FIG. 3 is a top view of the interactive display design of FIG. 1;

FIG. 4 is front view in elevation of the interactive display of FIG. 1;

FIG. 5 is a bottom view of the interactive display design of FIG. 1;

FIG. 6 is a rear elevation of the interactive display of FIG. 1;

FIG. 7 is a perspective view of an alternate embodiment of an interactive display design in accordance with the invention;

FIG. 8 is a side view of the interactive display design of FIG. 7 being the same as the view of the other side;

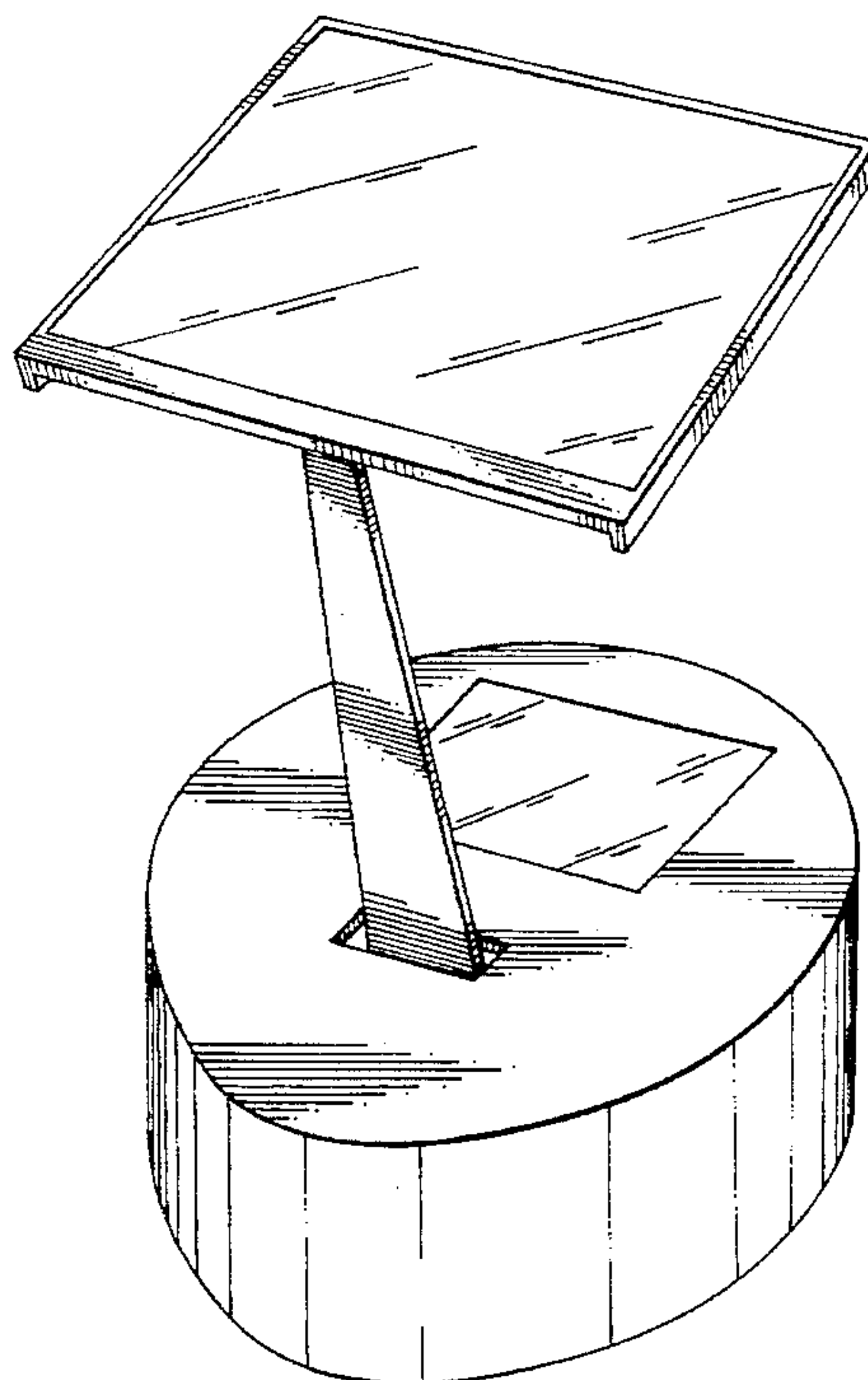
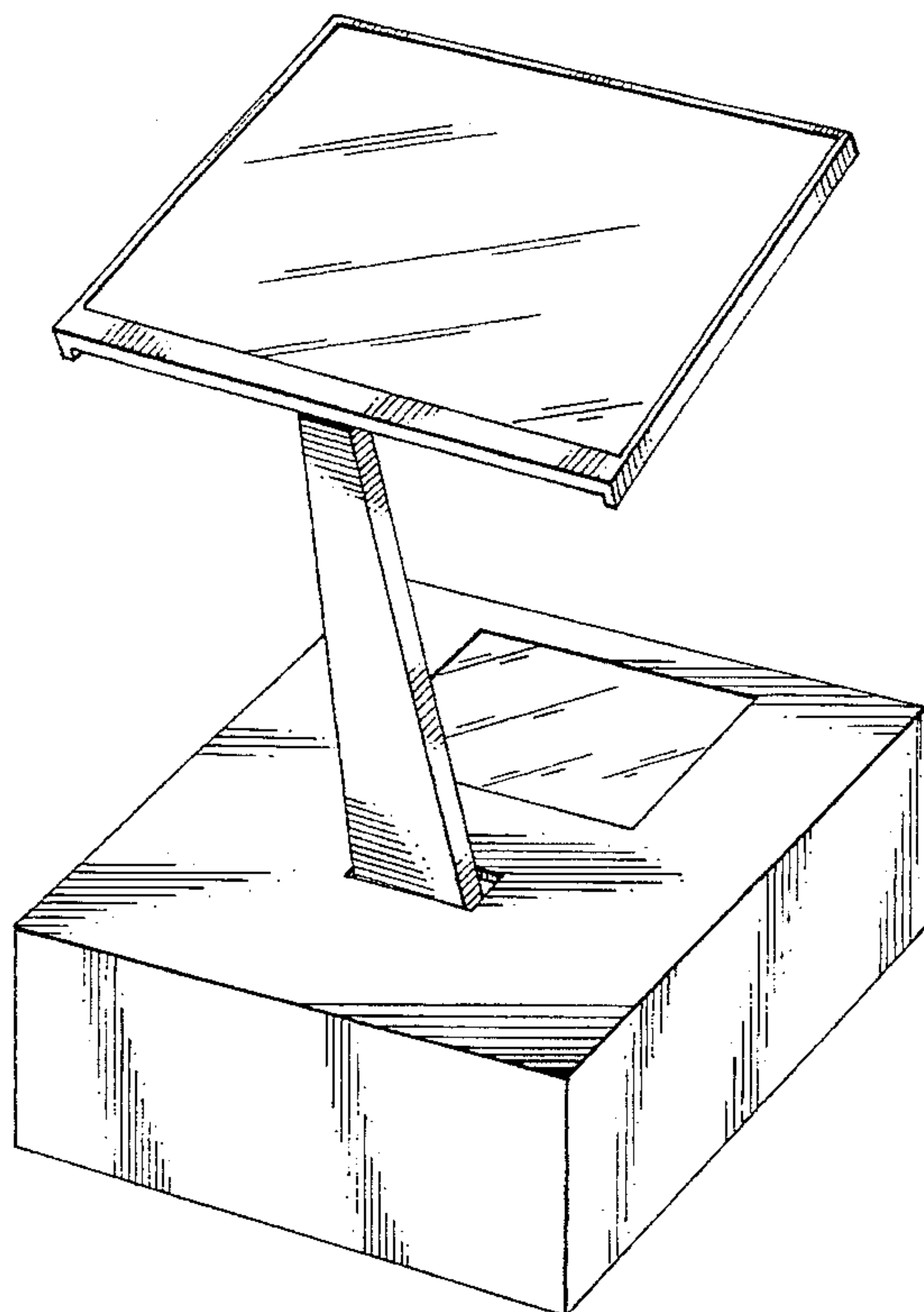
FIG. 9 is a top view of the interactive display design of FIG. 7;

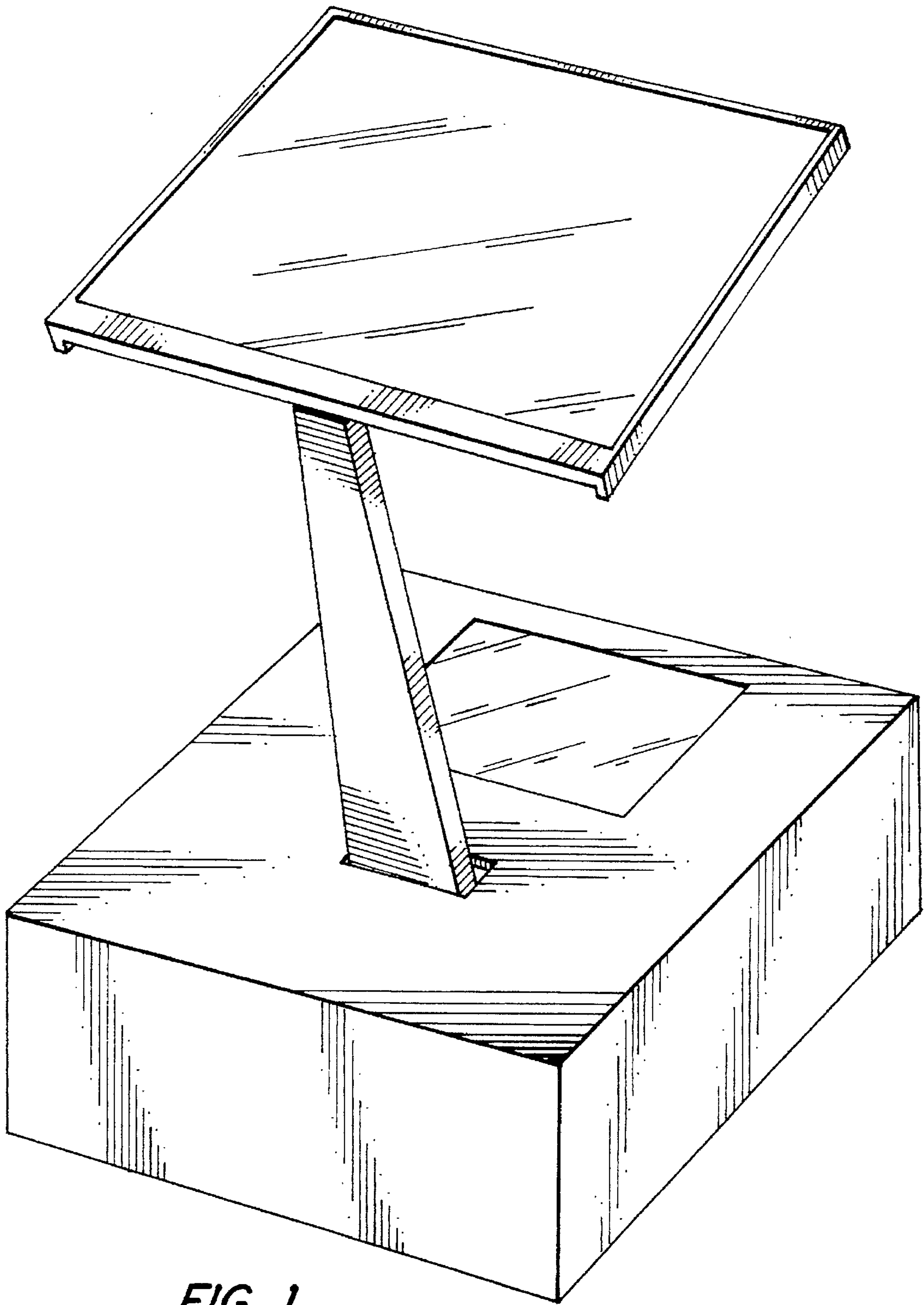
FIG. 10 is front view in elevation of the interactive display of FIG. 7;

FIG. 11 is a bottom view of the interactive display design of FIG. 7; and,

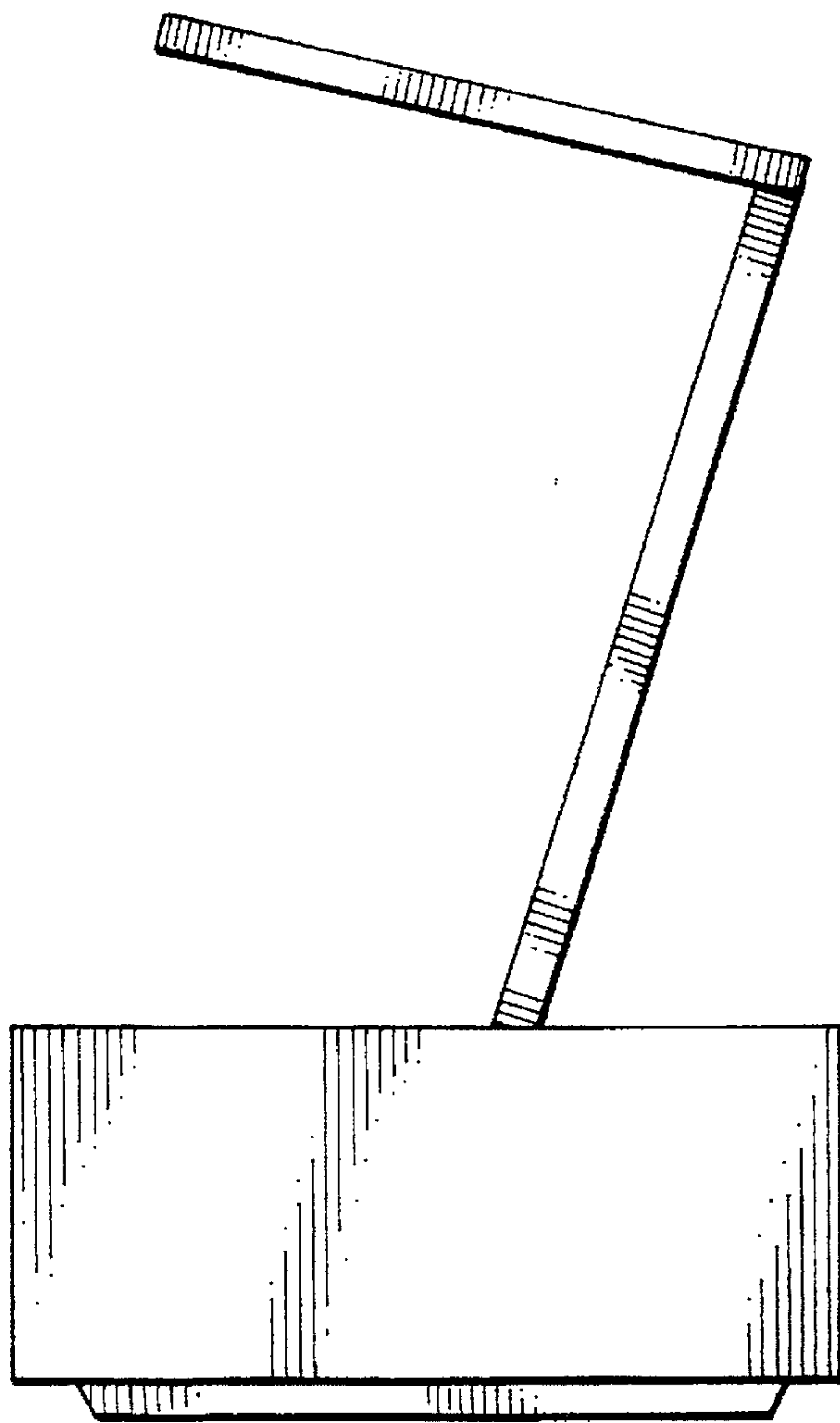
FIG. 12 is a rear view in elevation of the interactive display design of FIG. 7.

1 Claim, 8 Drawing Sheets

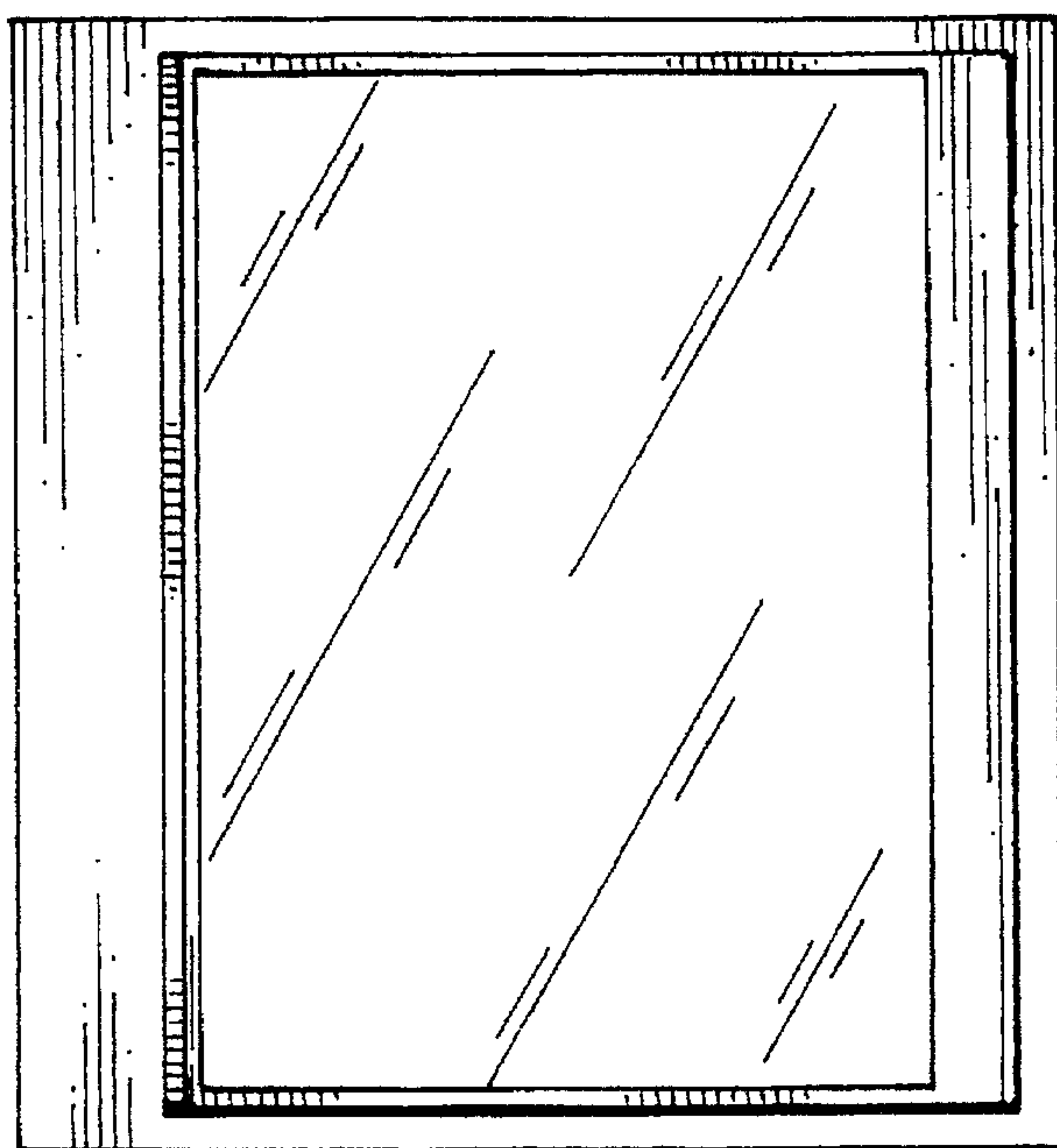




*FIG. 1*



*FIG. 2*



*FIG. 3*

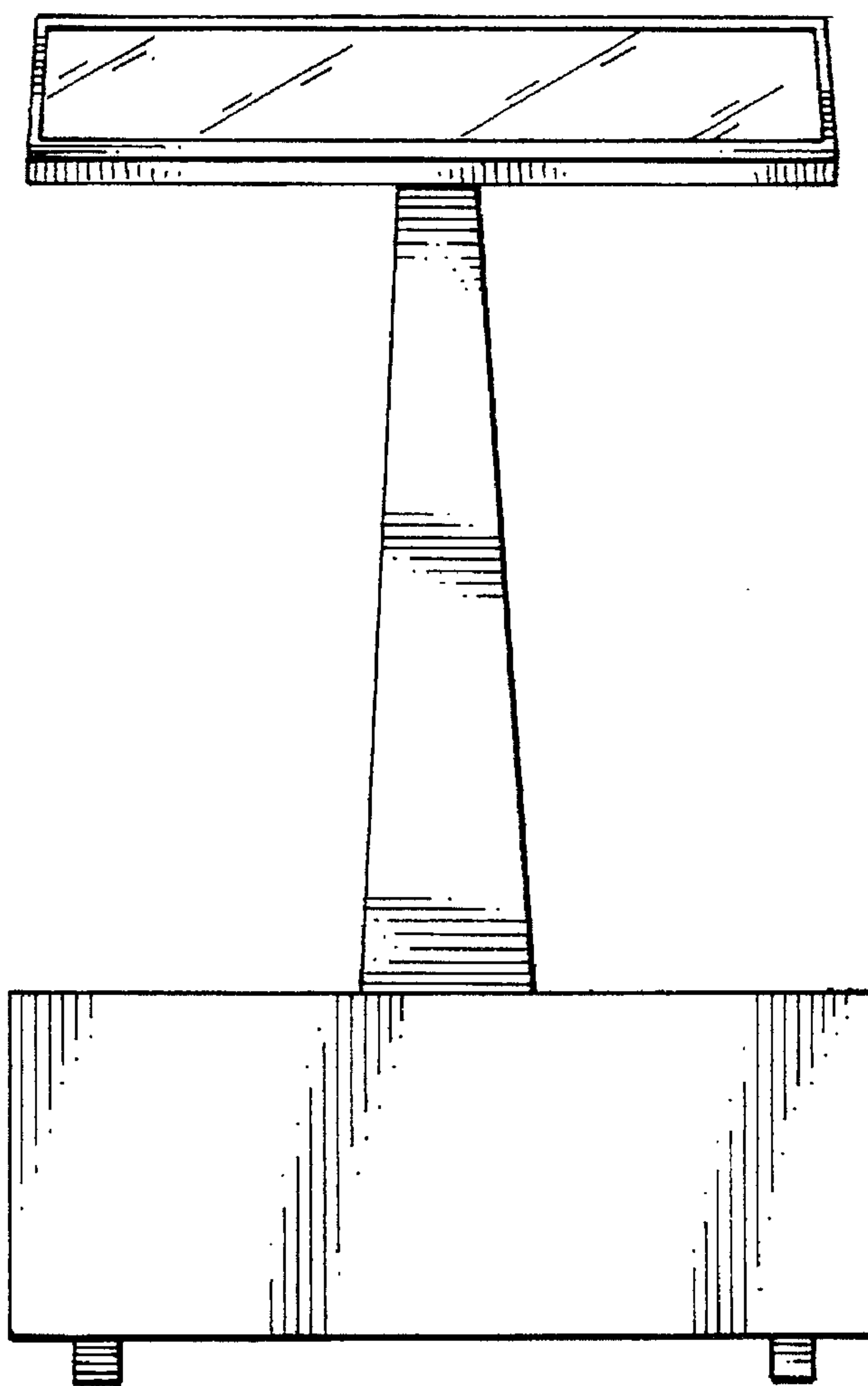


FIG. 4

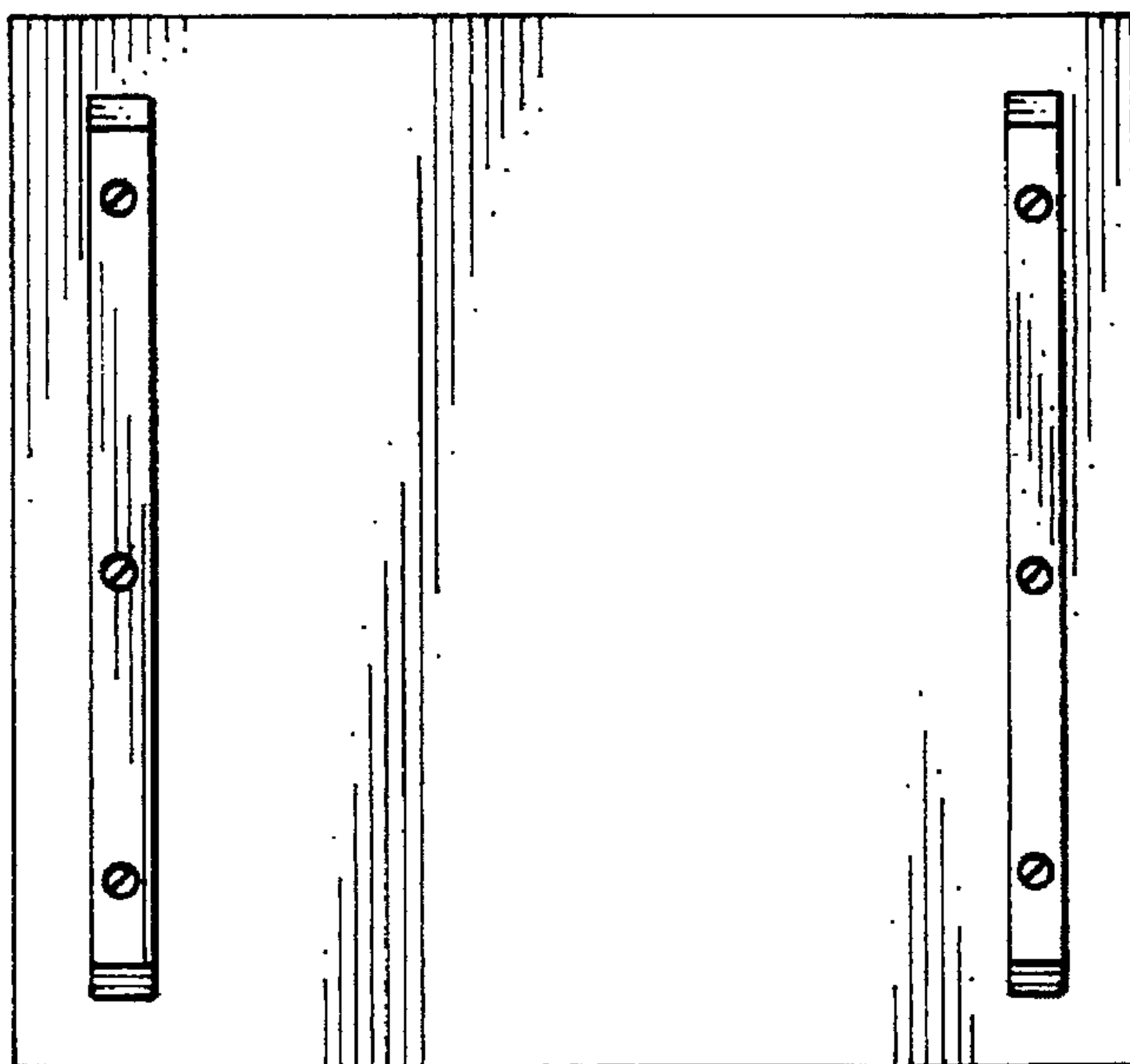
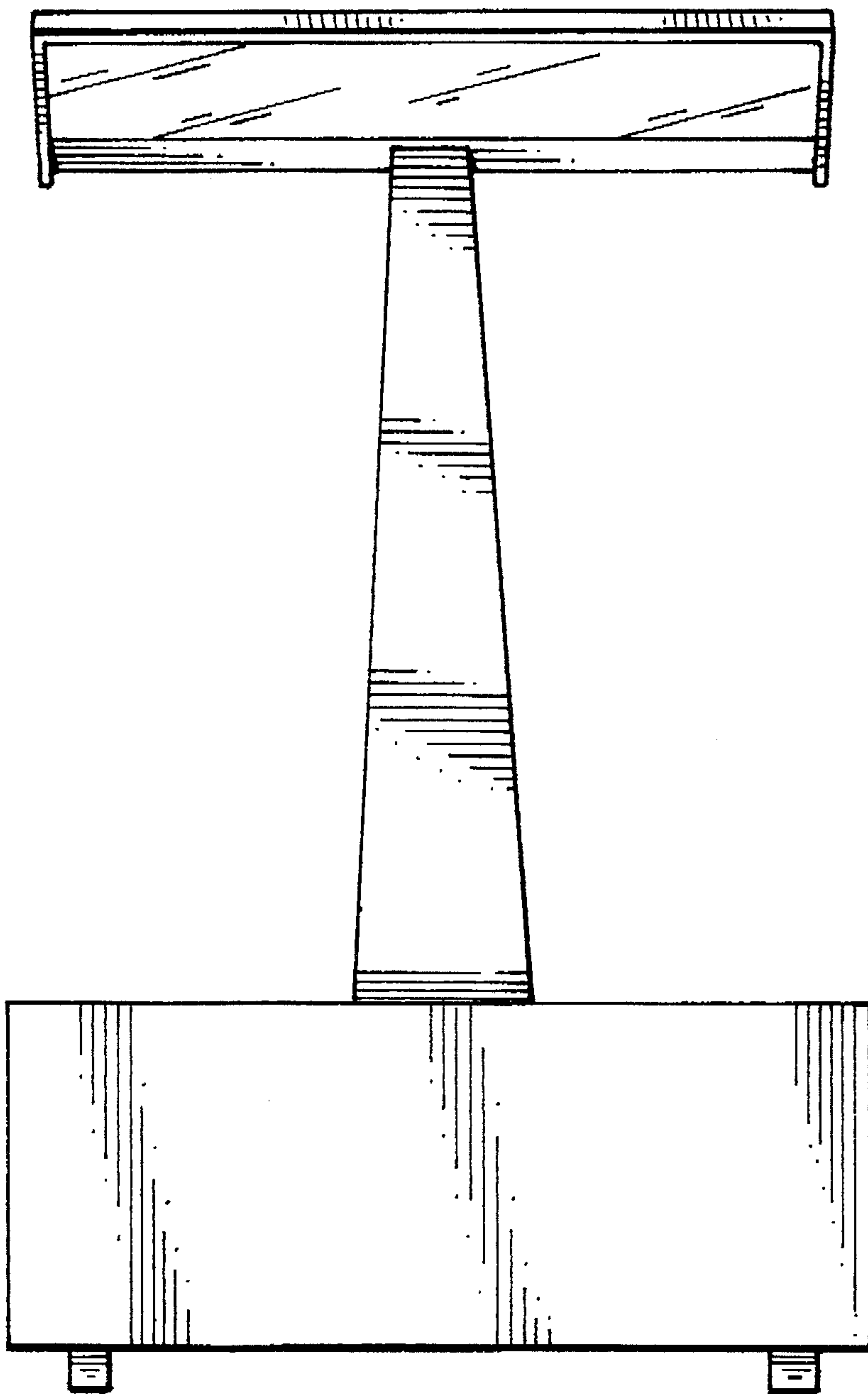


FIG. 5





*FIG. 6*

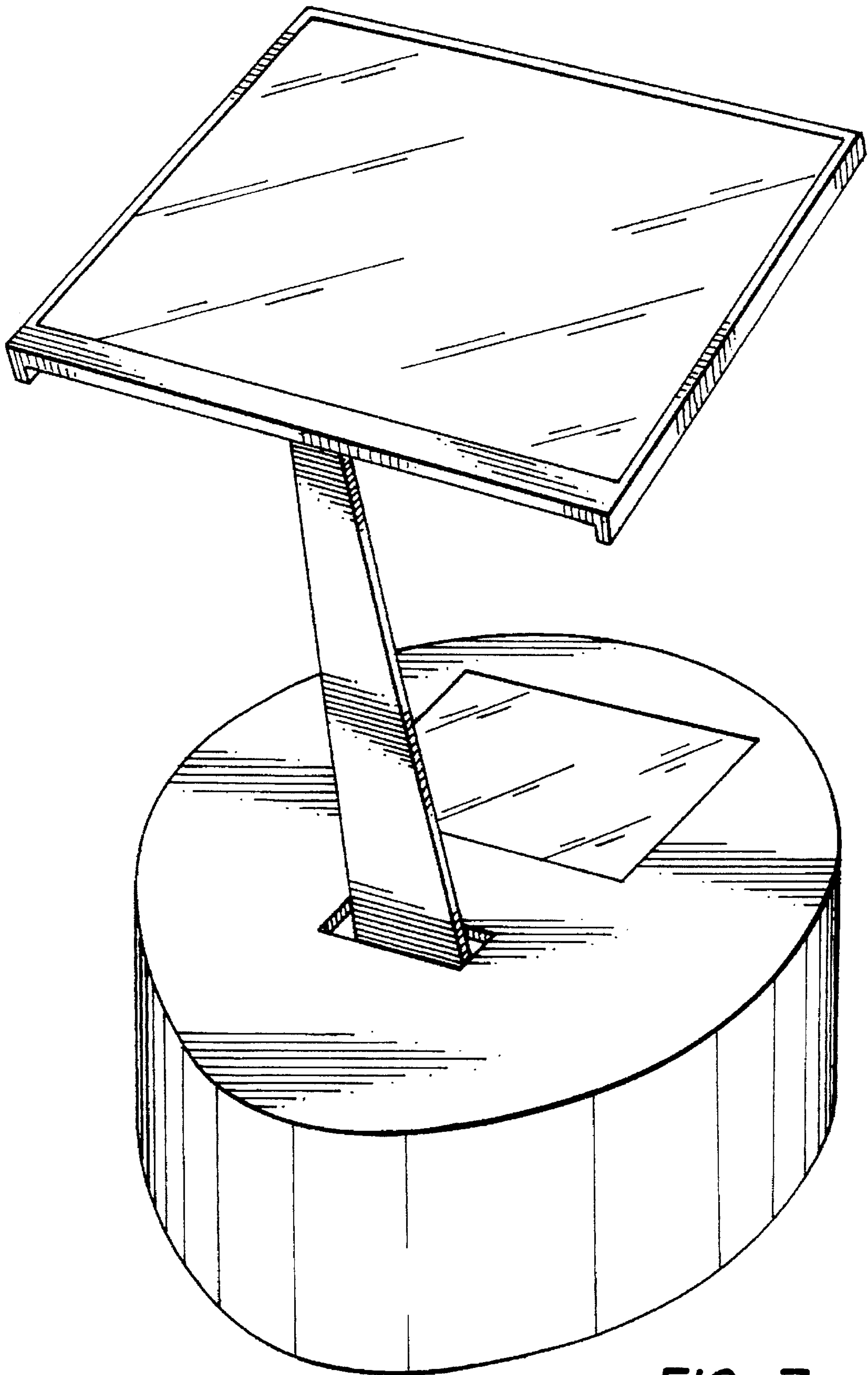
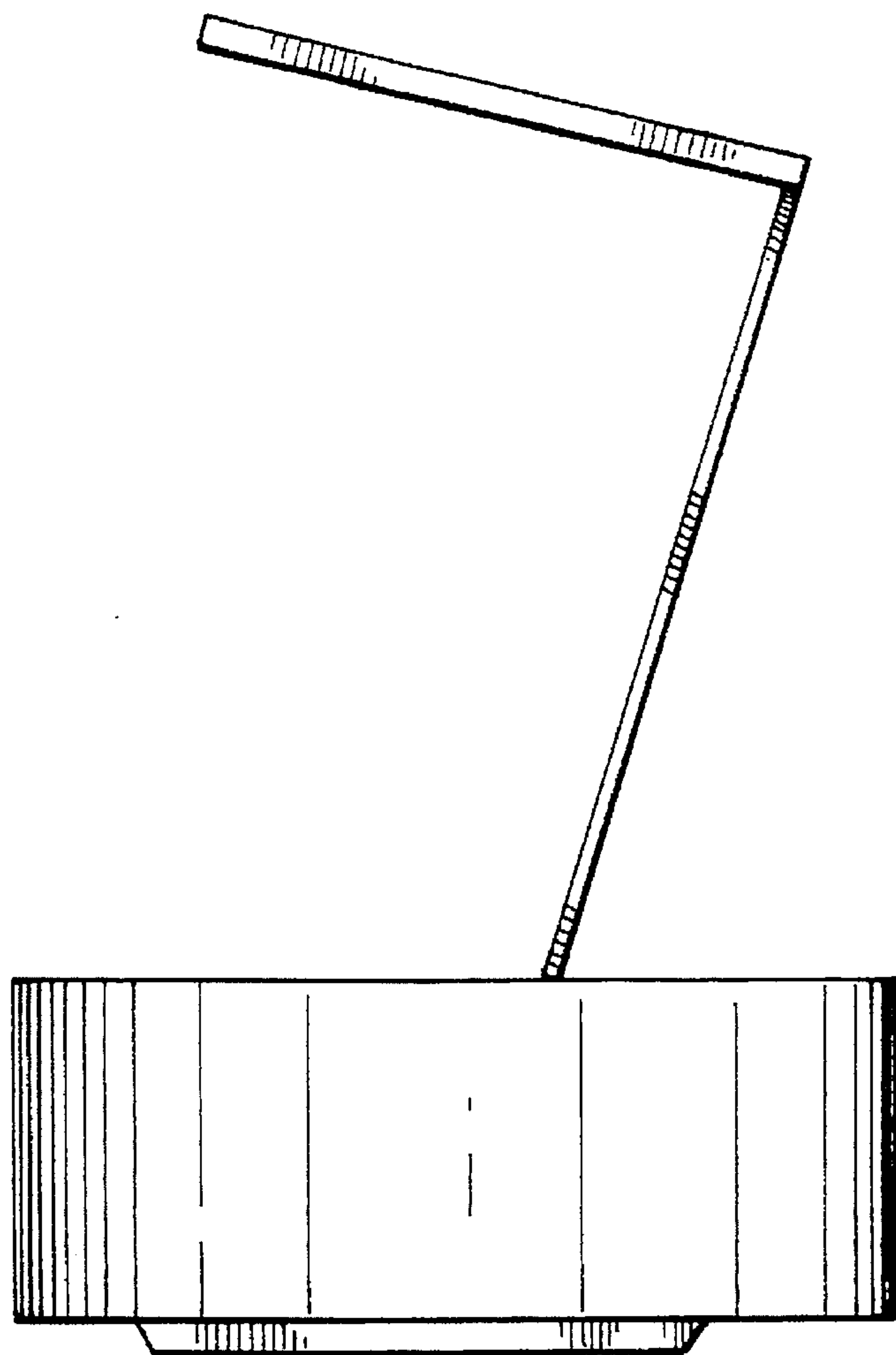
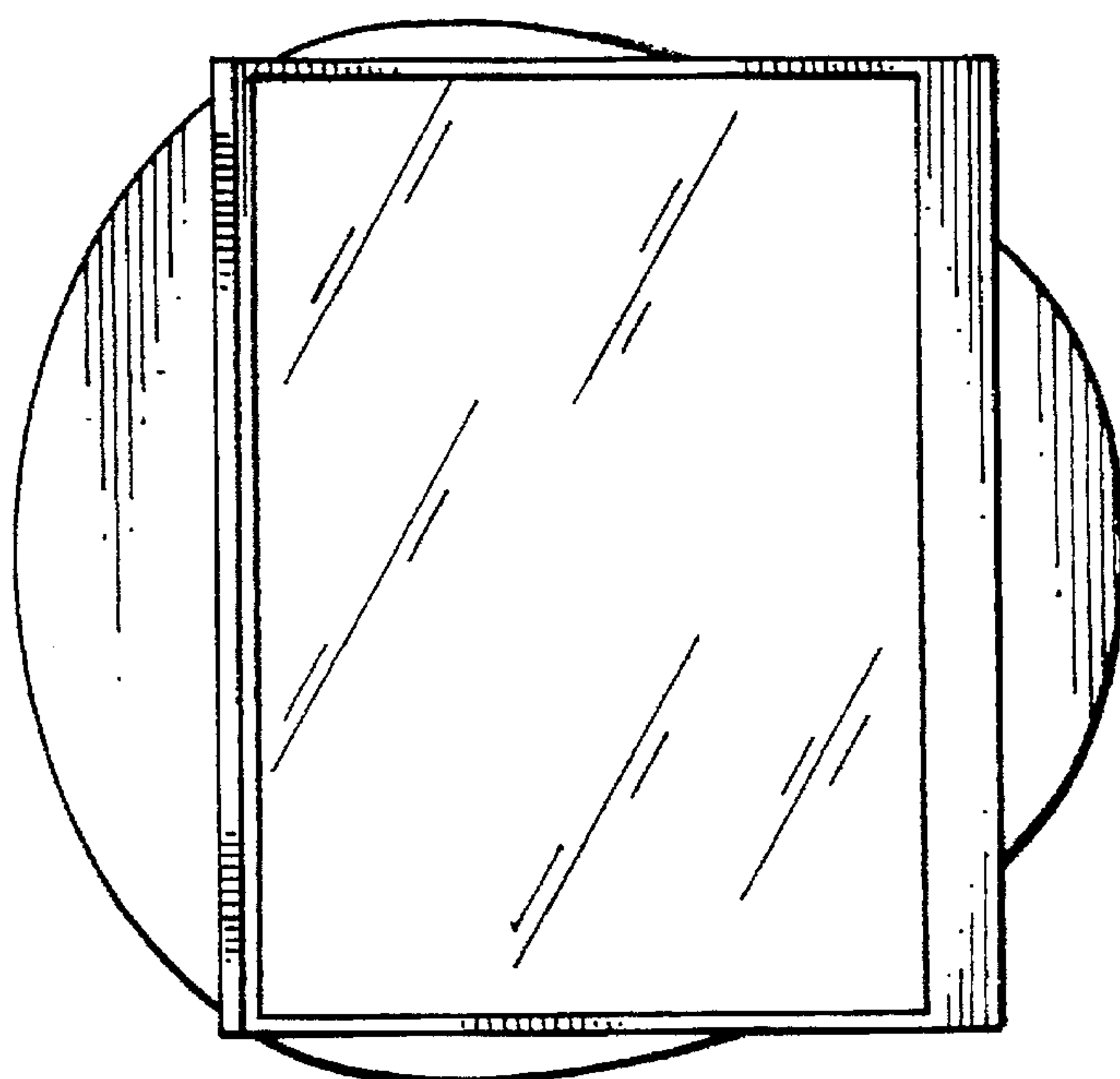


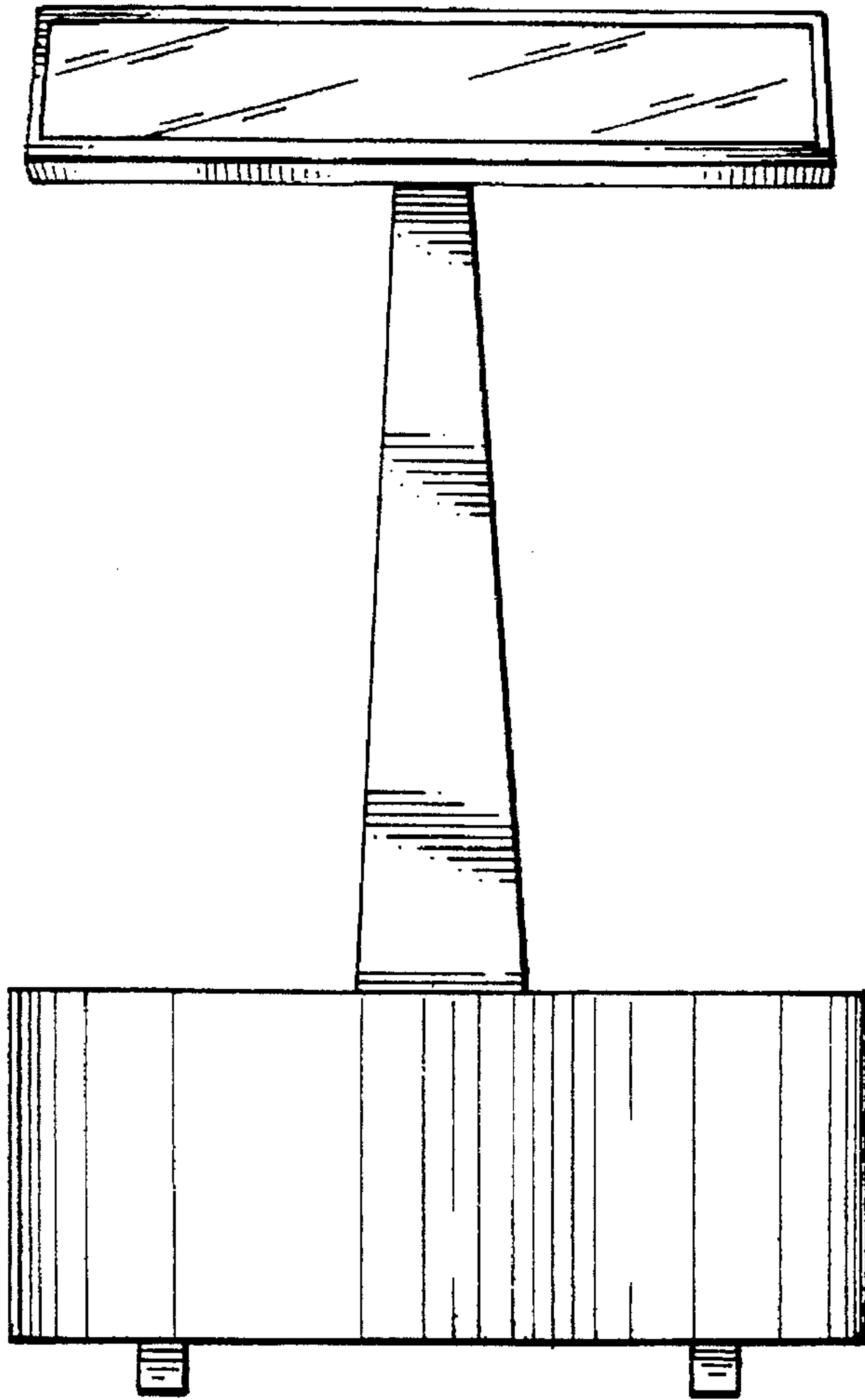
FIG. 7



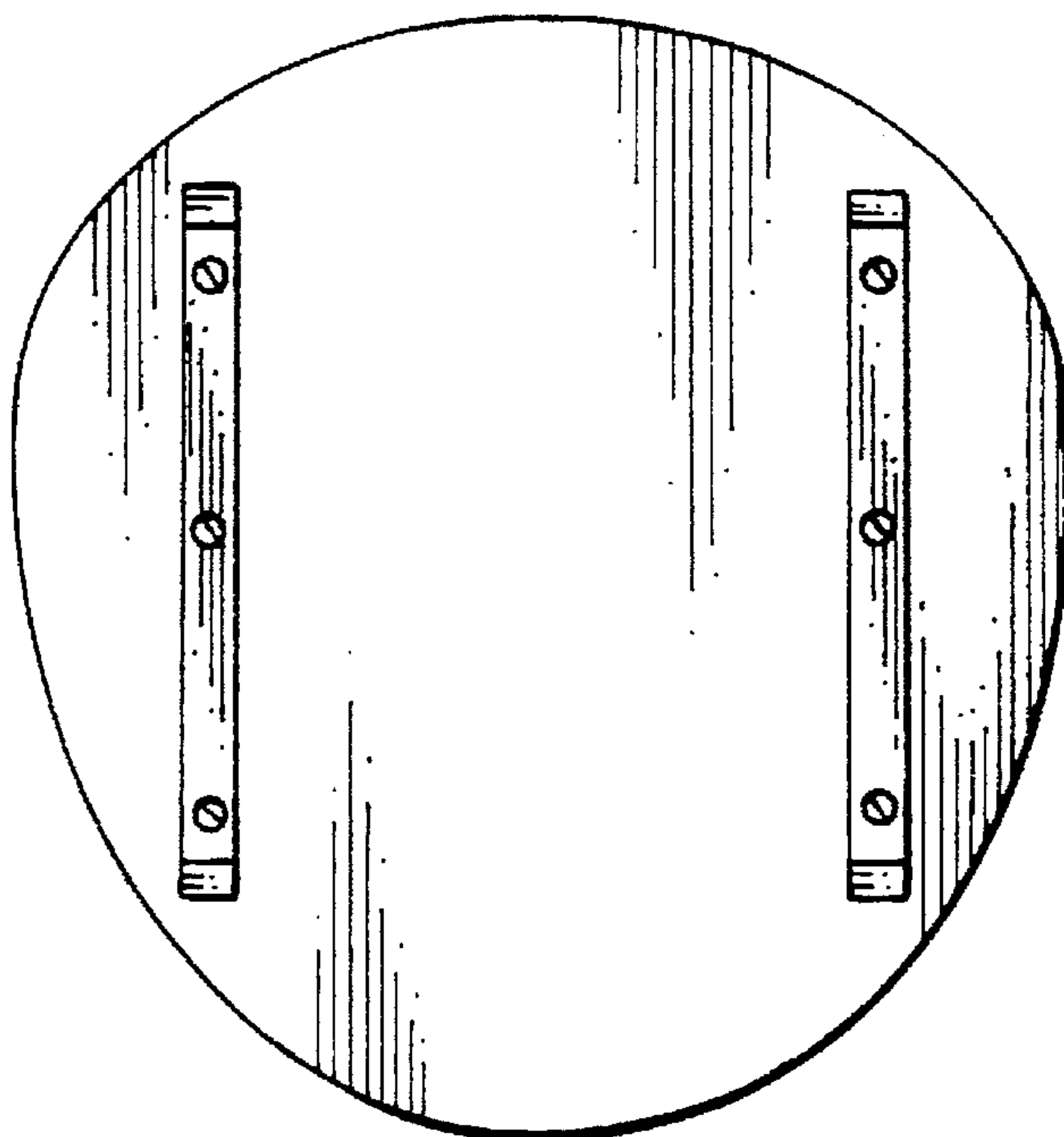
*FIG. 8*



*FIG. 9*

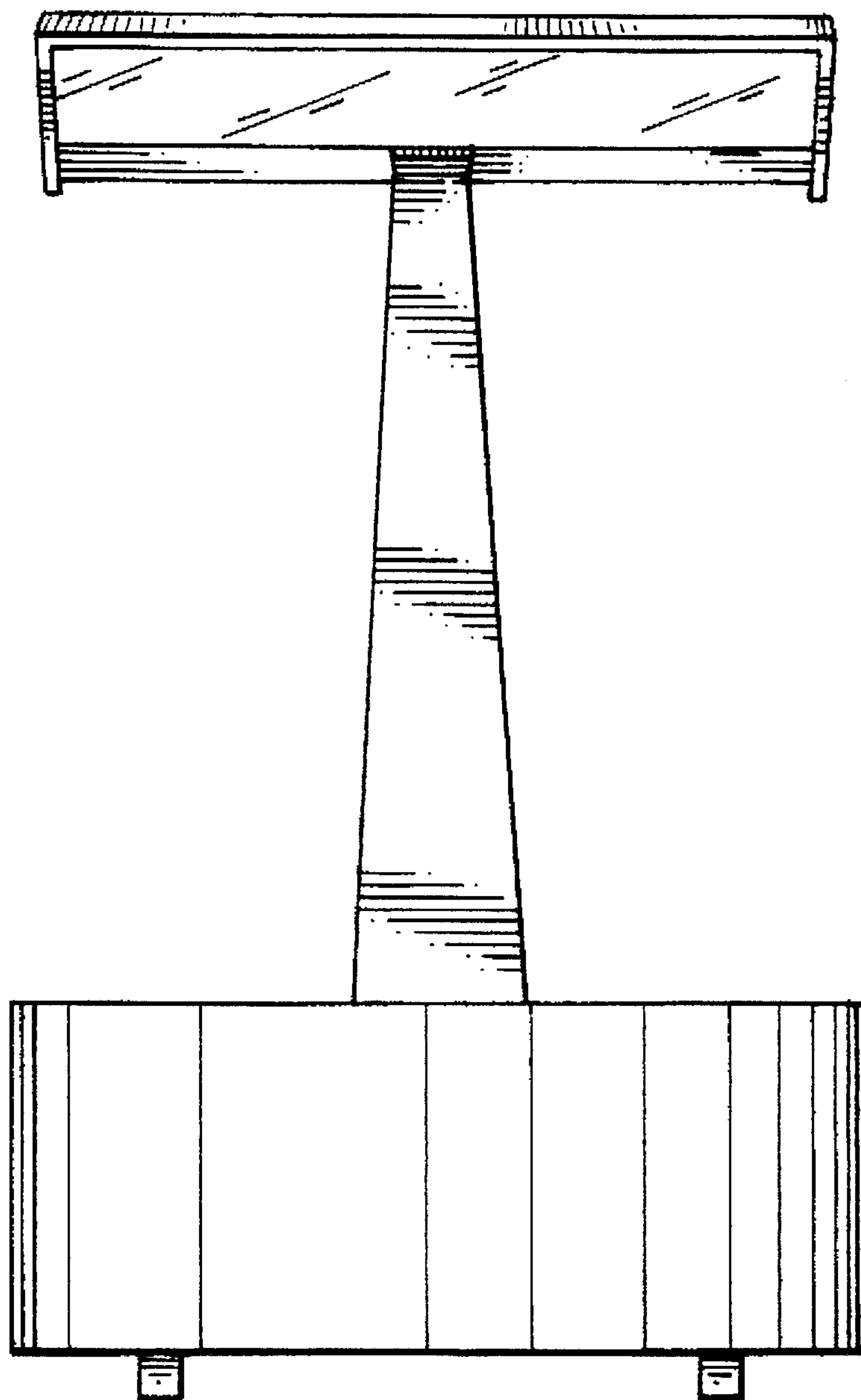


*FIG. 10*



*FIG. 11*





*FIG. 12*