



US00D380495S

United States Patent [19]
Black et al.

[11] **Patent Number:** **Des. 380,495**
[45] **Date of Patent:** ****Jul. 1, 1997**

[54] **PAPER HANDLING DEVICE DESIGN**

[75] Inventors: **Steven Charles Black; Duane Christensen**, both of Hastings, Minn.

[73] Assignee: **The Smead Manufacturing Company**, Hastings, Minn.

[**] Term: **14 Years**

[21] Appl. No.: **54,635**

[22] Filed: **May 17, 1996**

[51] LOC (6) Cl. **19-02**

[52] U.S. Cl. **D19/86; D19/27; D19/32; D19/65**

[58] Field of Search D19/26, 32, 65, D19/75, 78, 86, 91, 99, 100; 206/554; 402/7, 80 R, 80 P, 501-503; 281/40, 45, 50, 51

[56] **References Cited**

U.S. PATENT DOCUMENTS

D. 30,885	5/1899	Mills et al.	D19/99
D. 30,946	6/1899	Farmer	D19/65
D. 45,192	2/1914	Hick	D19/65
D. 128,298	7/1941	Houser	D19/65
D. 136,017	7/1943	Pollock	D19/65
234,855	11/1880	Daniels	.	
D. 292,295	10/1987	Wan	D19/32

D. 295,422	4/1988	Erickson	D19/32
4,427,315	1/1984	Raisch	402/80
4,519,504	5/1985	Nausedas	206/554
4,632,586	12/1986	Erickson	402/7
4,869,613	9/1989	Corey	402/7
5,028,160	7/1991	Callander	402/7

FOREIGN PATENT DOCUMENTS

2498527	1/1982	France	.	
2035215	6/1980	United Kingdom	D19/32

Primary Examiner—Martie Thompson
Attorney, Agent, or Firm—Merchant, Gould, Smith, Edell, Welter & Schmidt, P.A.

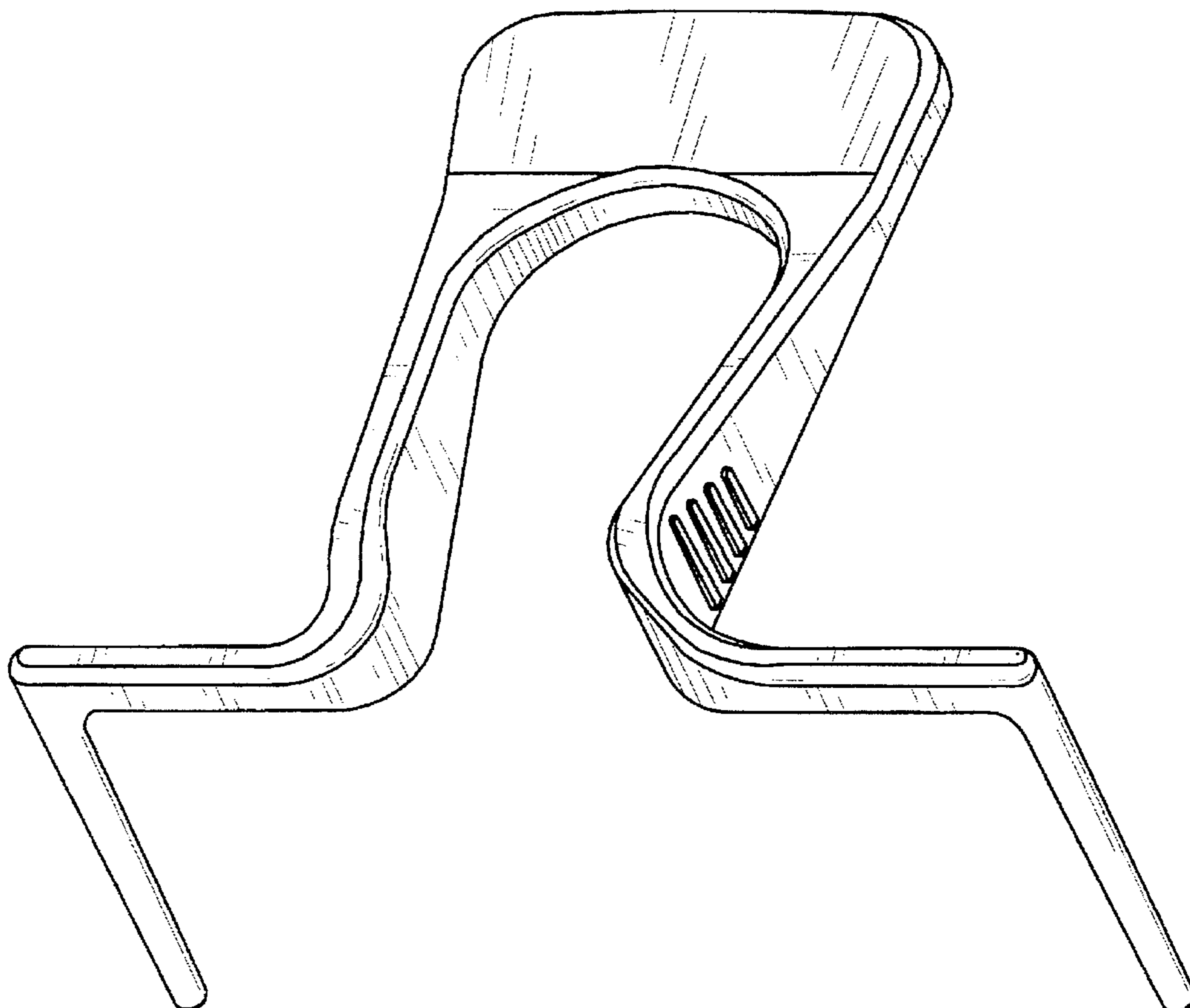
[57] **CLAIM**

The ornamental design for paper handling device design, as shown and described.

DESCRIPTION

FIG. 1 is a front top and right side perspective view;
FIG. 2 is a front elevational view;
FIG. 3 is a rear elevational view;
FIG. 4 is a right side view (opposing side being a mirror image);
FIG. 5 is a top plan view; and,
FIG. 6 is a bottom plan view.

1 Claim, 4 Drawing Sheets



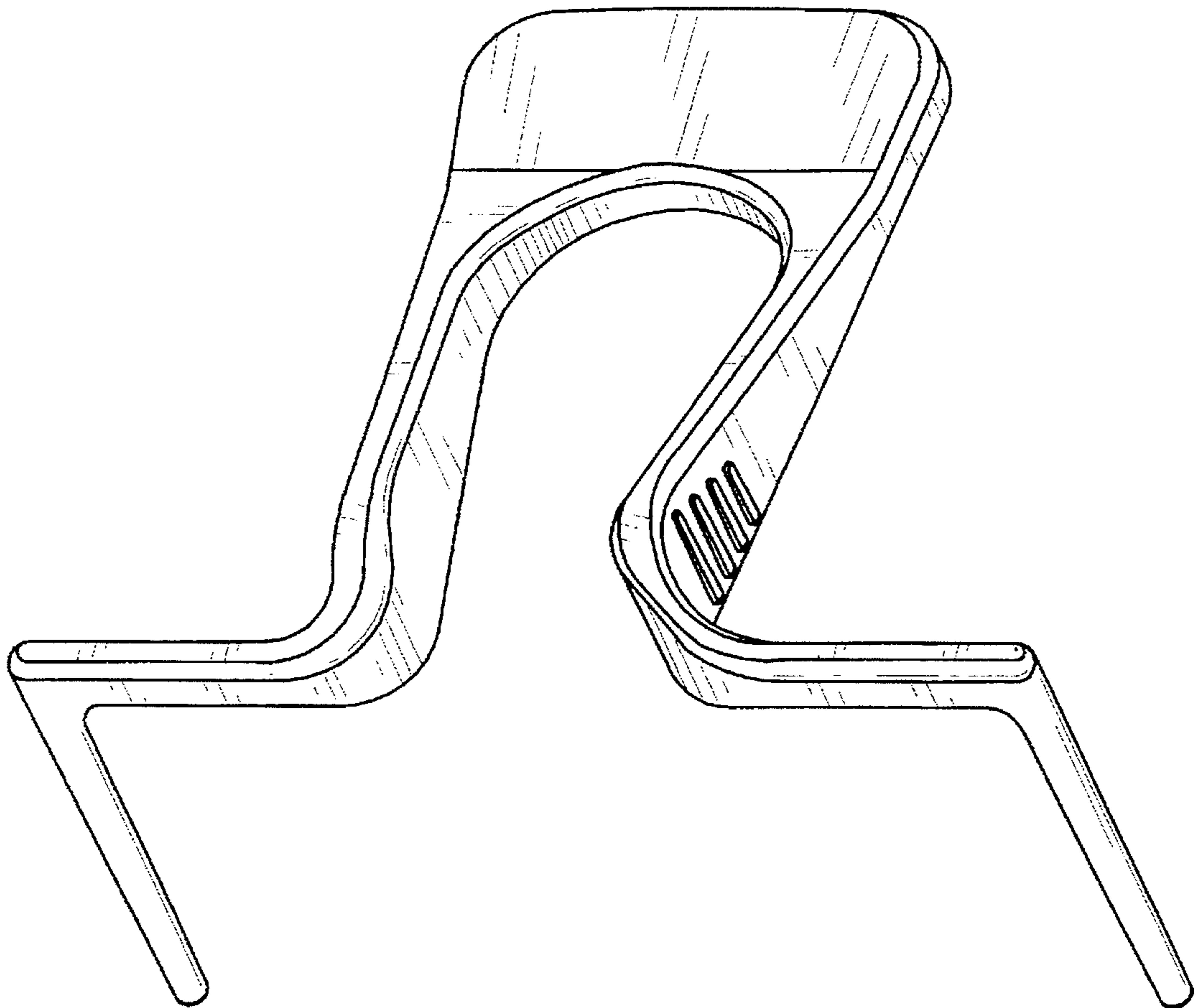


FIG. 1

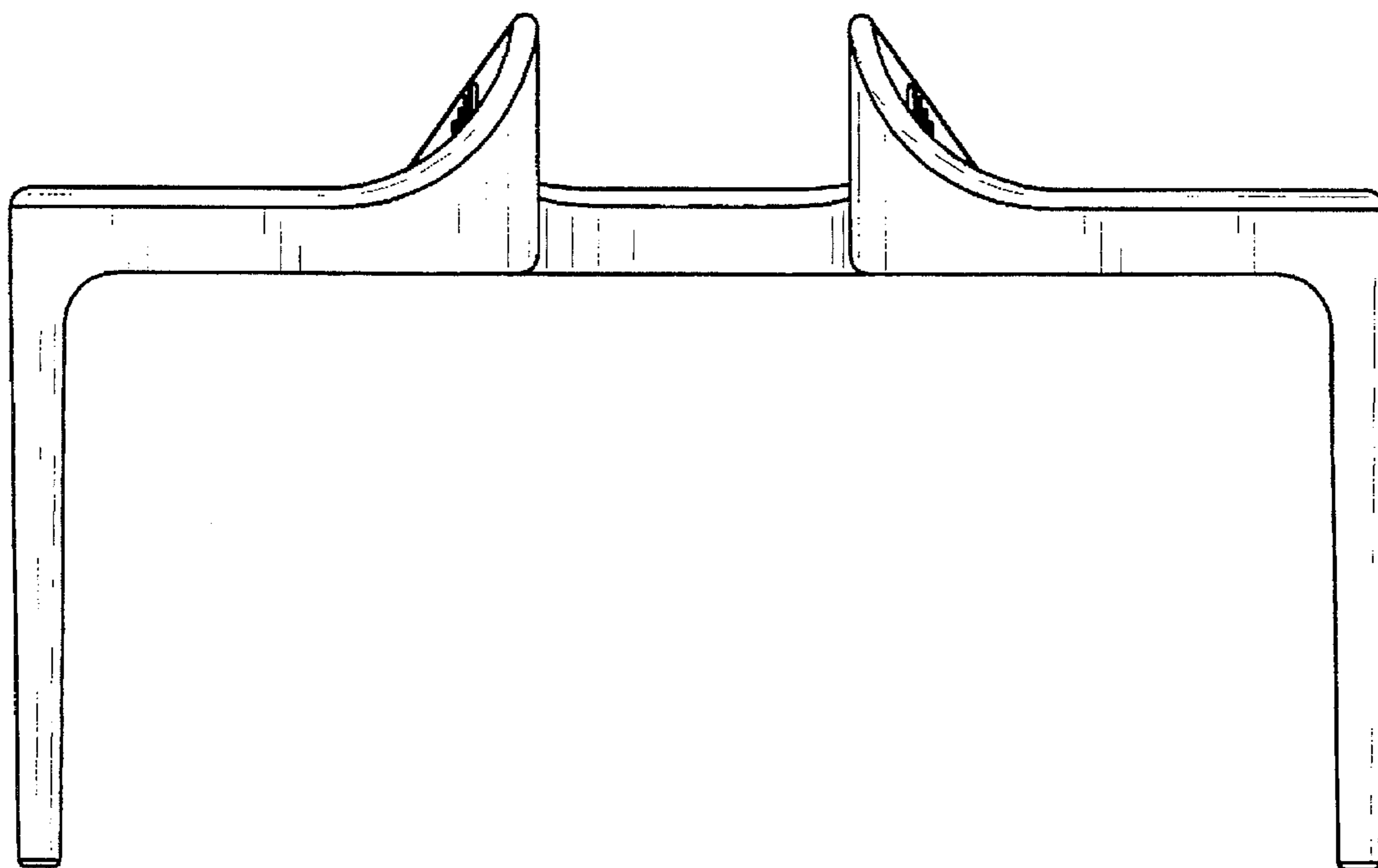


FIG. 2

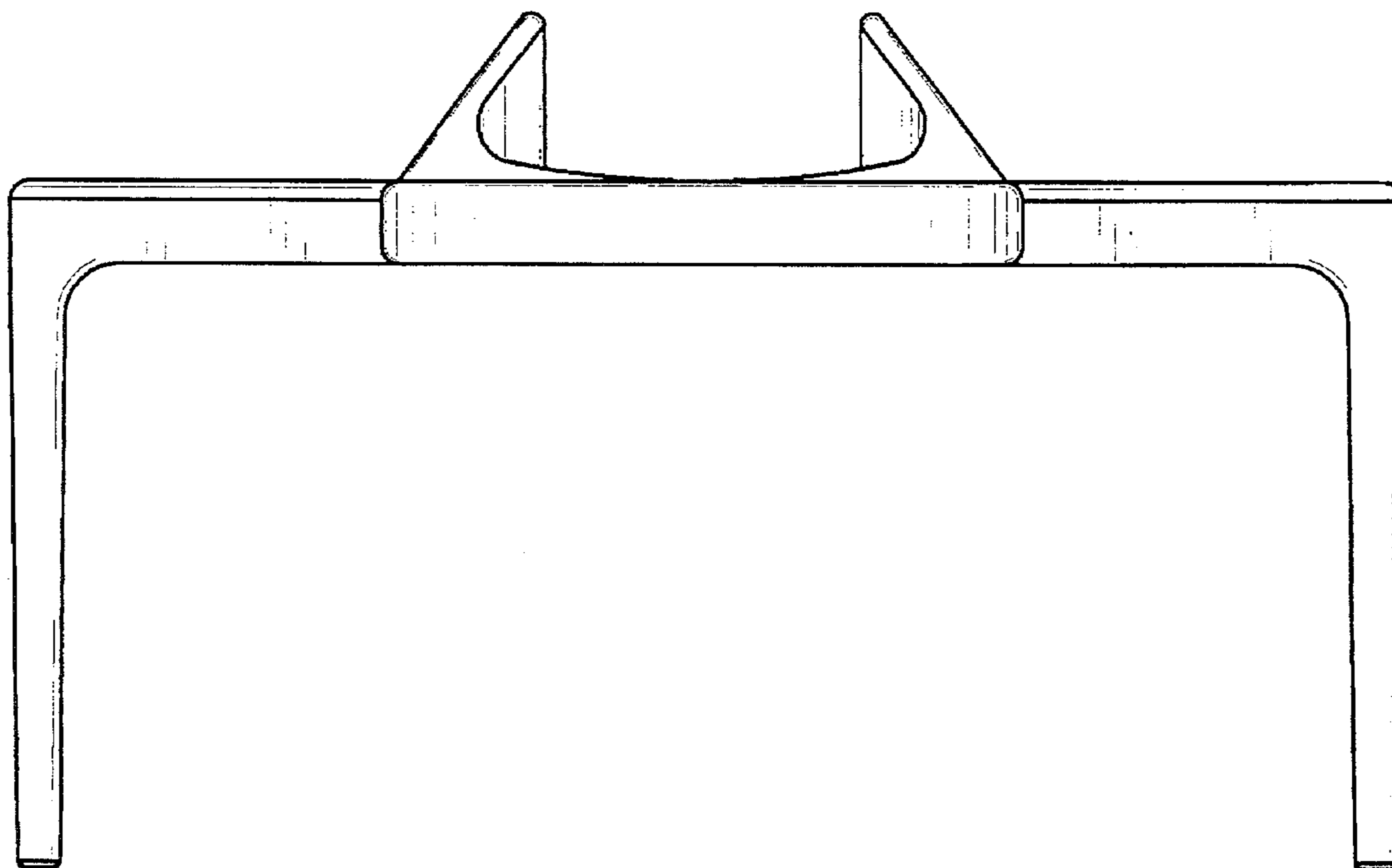


FIG. 3

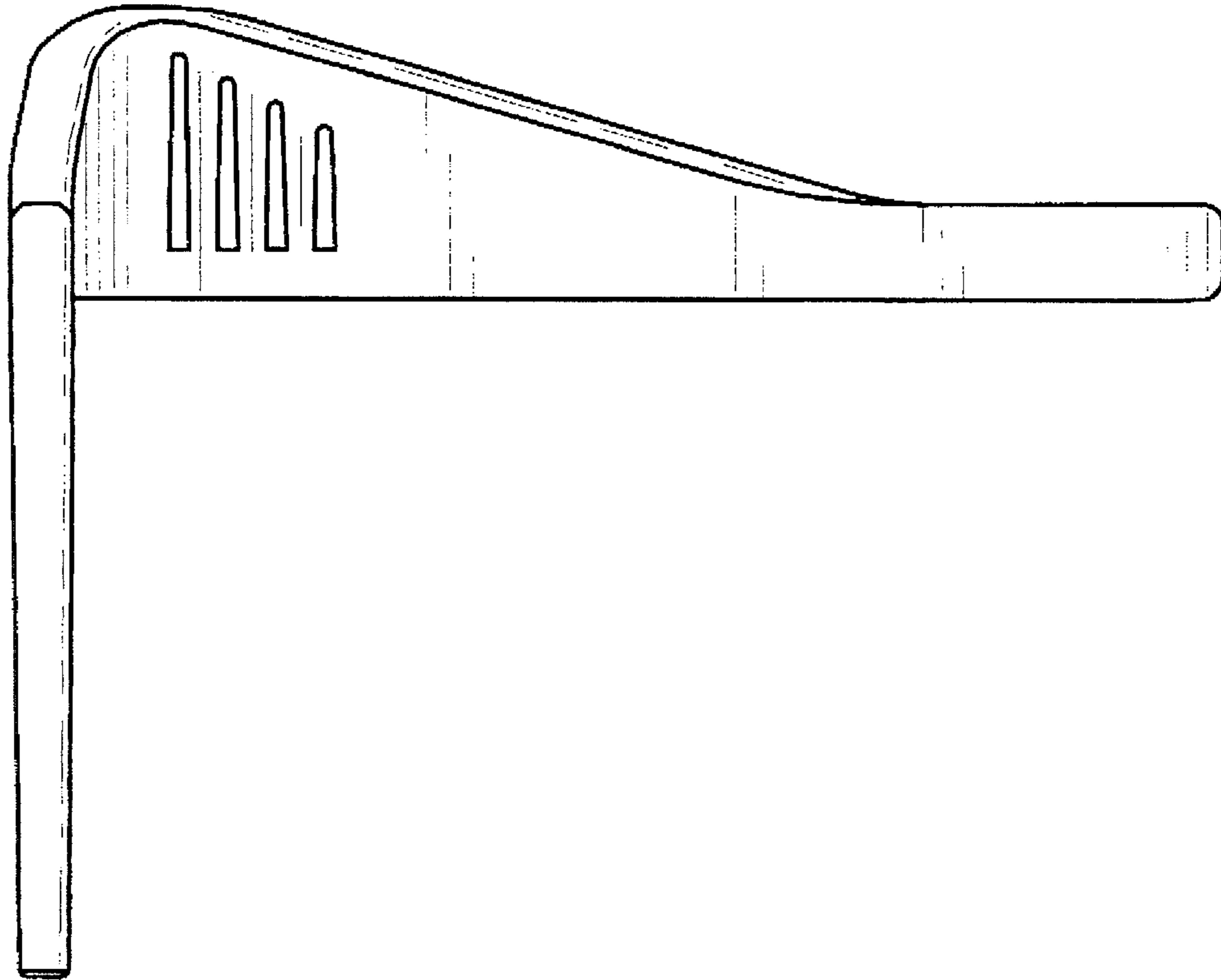


FIG. 4

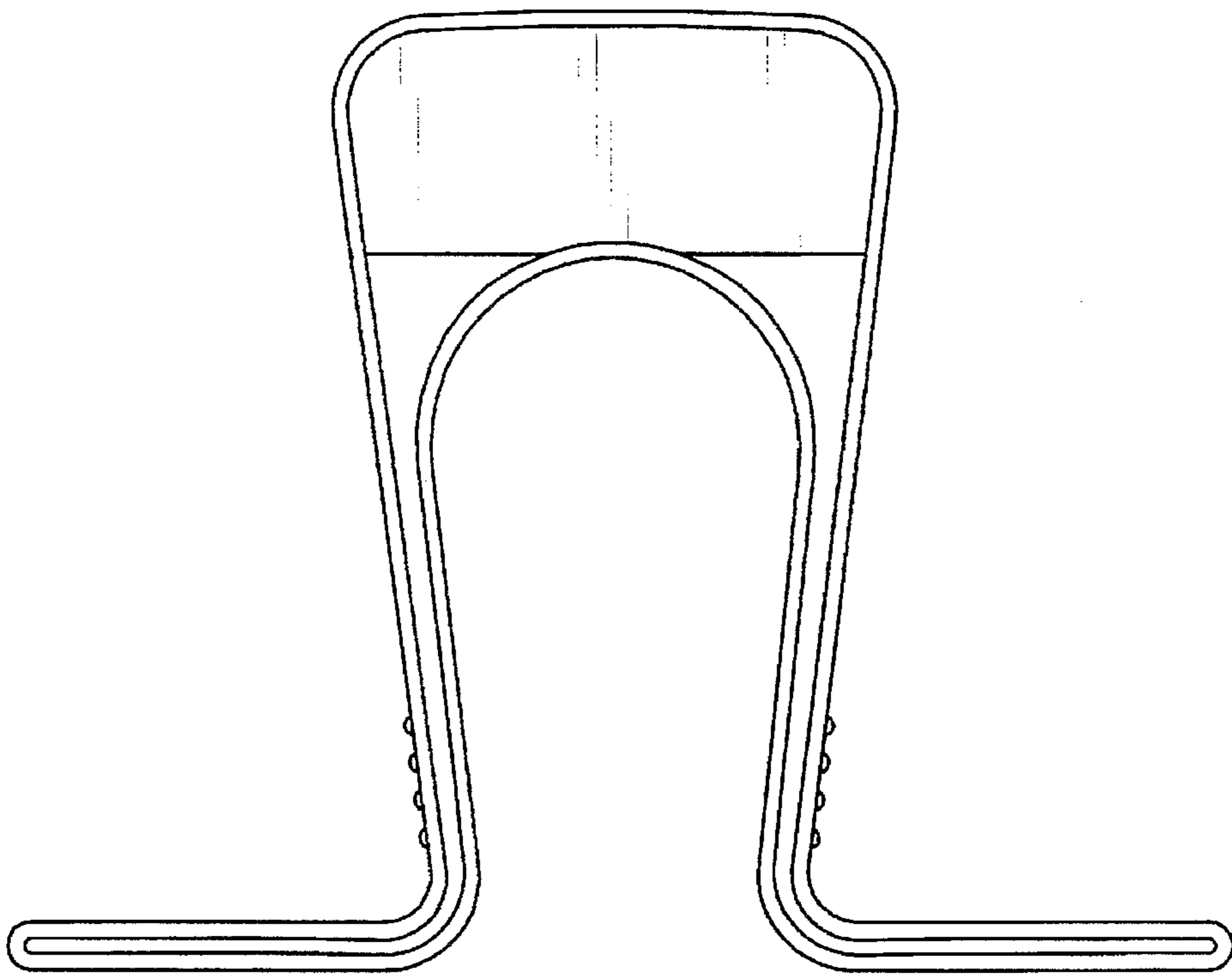


FIG. 5

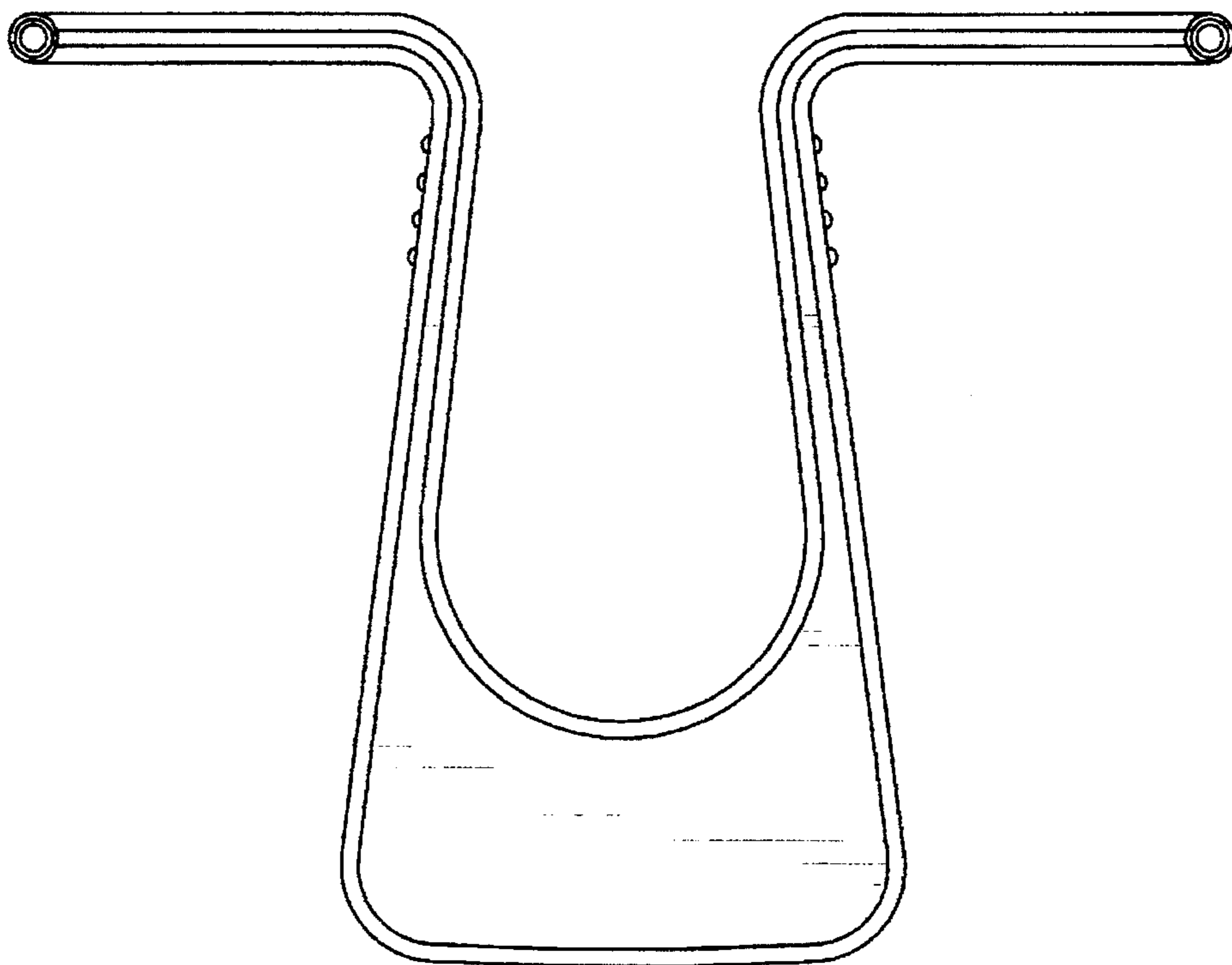


FIG. 6