



US00D380493S

**United States Patent** [19]  
**Sanders**

[11] **Patent Number: Des. 380,493**

[45] **Date of Patent: \*\*Jul. 1, 1997**

[54] **CHECK READER**

[75] **Inventor: Phillip L. Sanders, Floyds Knobs, Ind.**

[73] **Assignee: Food Equipment Engineering and Design, Inc., Jeffersonville, Ind.**

[\*\*] **Term: 14 Years**

[21] **Appl. No.: 51,235**

[22] **Filed: Mar. 6, 1996**

[51] **LOC (6) Cl. .... 19-06**

[52] **U.S. Cl. .... D19/37; D19/40; D3/247**

[58] **Field of Search .... D19/37-40, 65, D19/86, 90; 33/562-568, 571, 574, 575, 576, 577, 469, 41.2; 235/85 R-89 R; D3/247, 249; 434/162**

[56] **References Cited**

**U.S. PATENT DOCUMENTS**

- D. 26,251 11/1896 Copland ..... D19/37 X
- D. 32,159 1/1900 Nisbet ..... D19/37
- D. 223,732 5/1972 Misenko ..... D19/99 X

- D. 314,865 2/1991 Tuisku ..... D3/247
- D. 328,526 8/1992 Bianchi, Jr. et al. .... D3/247
- D. 332,467 1/1993 Bardman ..... D19/100 X
- 2,091,662 8/1937 Umansky ..... D3/247 X
- 2,409,019 10/1946 Cree ..... 33/469
- 2,690,017 9/1954 Neill ..... 33/563
- 4,262,422 4/1981 Pass ..... 33/41.2

*Primary Examiner*—Martie Thompson  
*Attorney, Agent, or Firm*—Middleton & Reutlinger; Charles G. Lamb

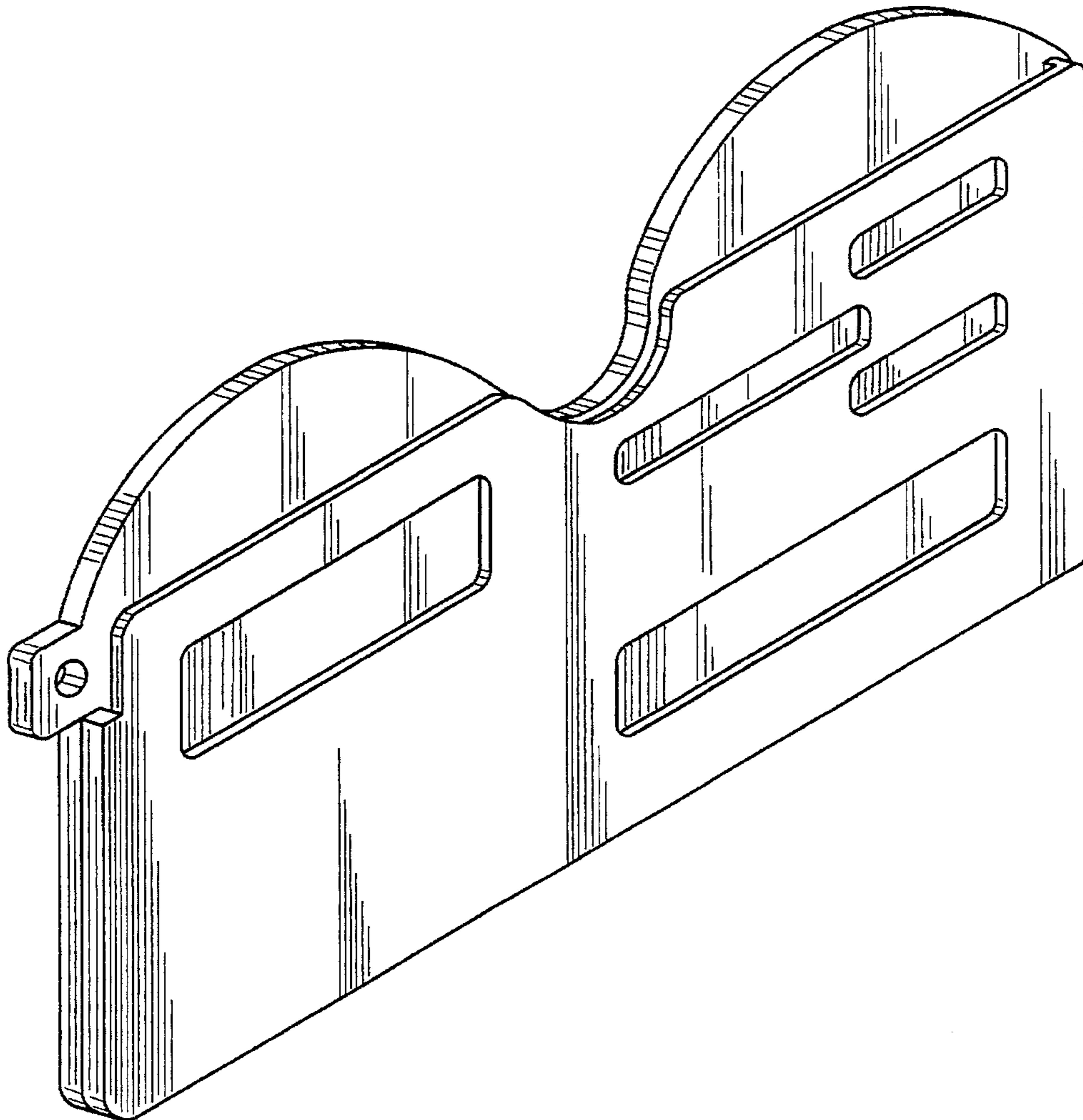
[57] **CLAIM**

The ornamental design for a check reader, as shown.

**DESCRIPTION**

- FIG. 1 is a perspective view of a check reader of the present invention;
- FIG. 2 is a rear view of FIG. 1;
- FIG. 3 is a top view of FIG. 1;
- FIG. 4 is a front view of FIG. 1;
- FIG. 5 is a bottom view of FIG. 1;
- FIG. 6 is a left side view of FIG. 1; and ,
- FIG. 7 is a right side view of FIG. 1.

**1 Claim, 2 Drawing Sheets**



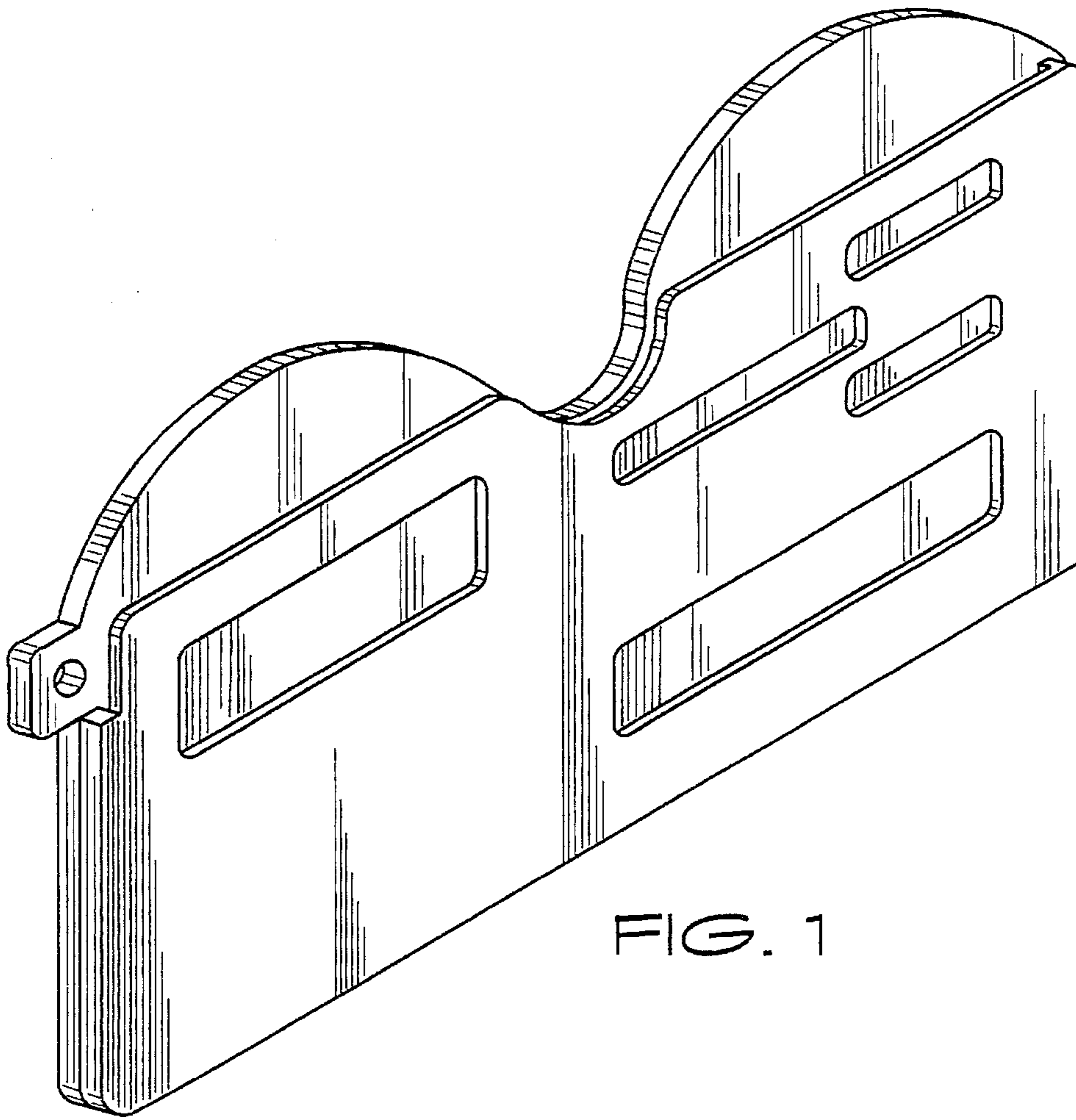


FIG. 1

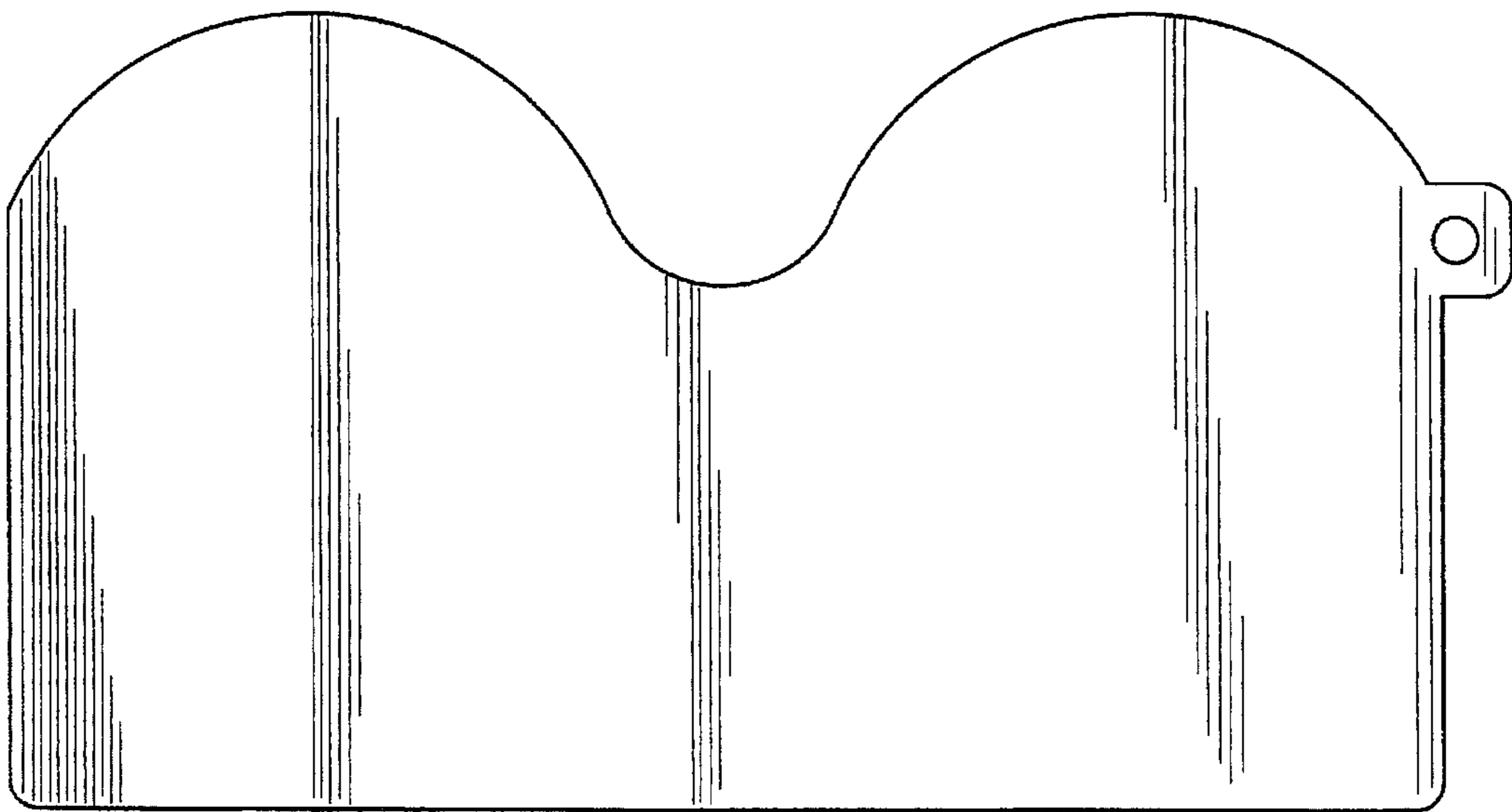


FIG. 2

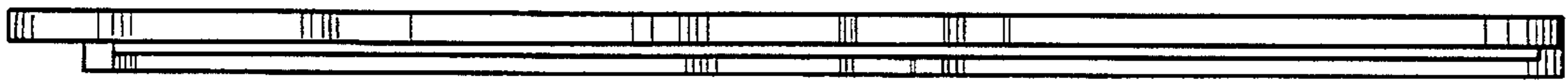


FIG. 3

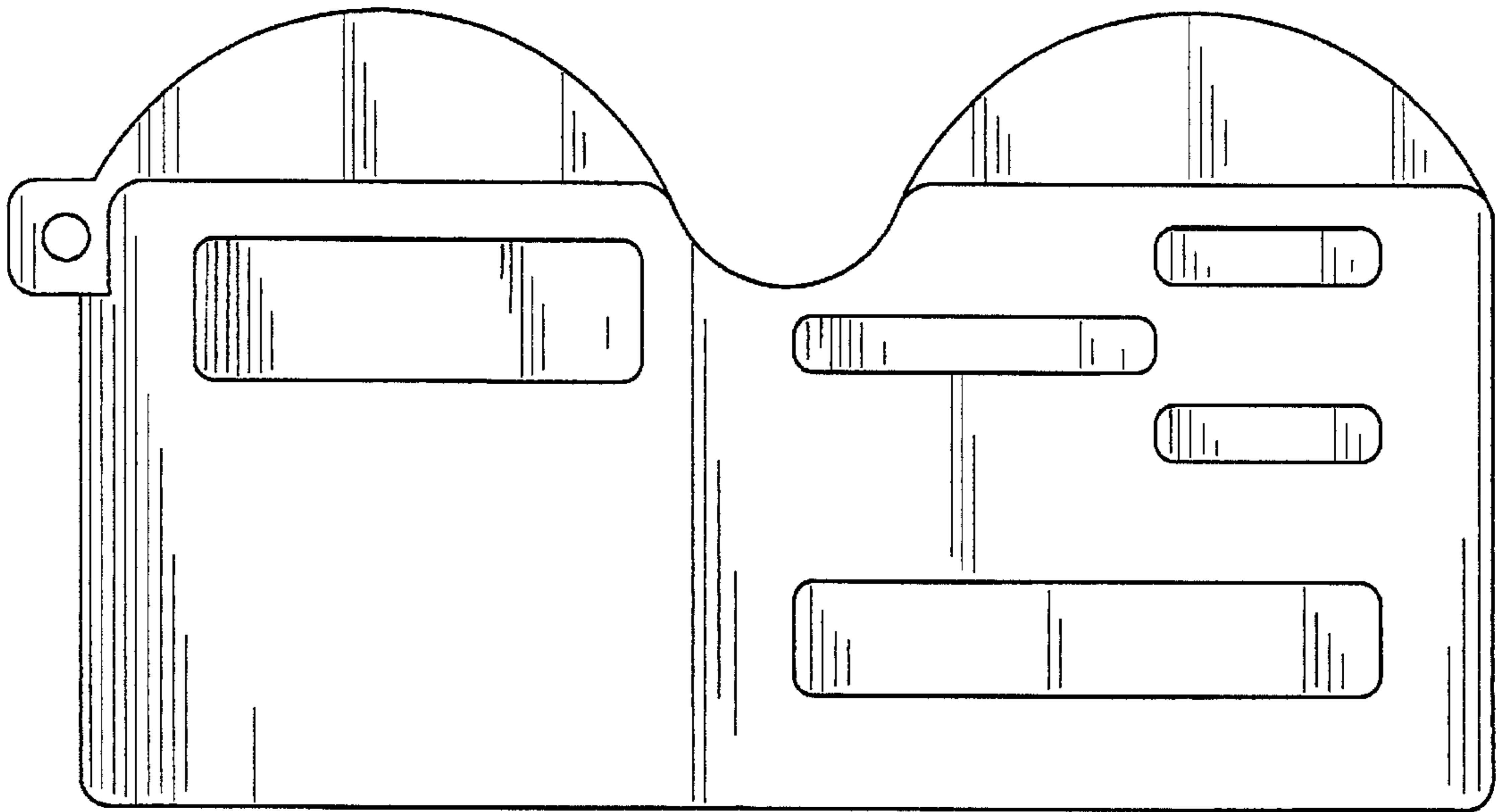


FIG. 4

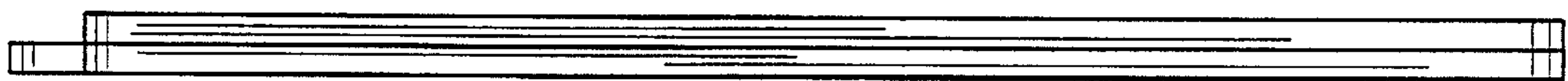


FIG. 5

FIG. 6



FIG. 7

