



US00D380488S

United States Patent [19]

Elstad et al.

[11] Patent Number: **Des. 380,488**

[45] Date of Patent: ****Jul. 1, 1997**

[54] **APPARATUS FOR BINDING BOOKS**

[76] Inventors: **Karen L. Elstad**, 12836 Verdin St.
Northwest, Coon Rapids, Minn. 55448;
Richard E. Rayment, 1315 15th Ave.
South, Moorhead, Minn. 56560

[**] Term: **14 Years**

[21] Appl. No.: **35,899**

[22] Filed: **Mar. 9, 1995**

[51] LOC (6) Cl. **18-04**

[52] U.S. Cl. **D18/34; D19/32**

[58] Field of Search D19/26, 27, 32,
D19/33; D18/34, 99; 402/60, 61, 63, 68,
80 R, 80 P, 4, 5, 24; 281/29, 31, 15.1, 21.1,
35, 45, 46; D20/44; 412/6, 8, 19, 21

[56] **References Cited**

U.S. PATENT DOCUMENTS

D. 292,990	12/1987	Eliasson	D19/32
892,029	6/1908	Daniels	402/78
1,175,404	3/1916	Biattel et al.	402/78
1,180,297	4/1916	Jenkins	402/78
1,274,154	7/1918	Etheridge .	
1,754,664	4/1930	Andrews	402/78
1,957,959	5/1934	Herrdon	402/78
3,256,029	6/1966	Groom , IV	281/21
3,717,366	2/1973	Decker	281/21
3,730,806	5/1973	Heller, Jr. et al.	156/272
3,749,422	7/1973	Abildgaard et al.	281/21
3,825,963	7/1974	Abilgaard et al.	11/1
3,992,741	11/1976	Staats	11/1
4,060,330	11/1977	Baccile	D19/324

4,537,544	8/1985	Joost	412/5
4,793,758	12/1988	Hanson et al.	412/4
4,906,156	3/1990	Axelrod	412/21
5,052,872	10/1991	Hunder et al.	412/6
5,061,139	10/1991	Zoltner	412/8
5,078,425	1/1992	Crudo	281/21.1
5,221,112	6/1993	Holmberg	281/21.1
5,308,208	5/1994	Ranson	412/5

FOREIGN PATENT DOCUMENTS

363363	5/1921	Germany	D19/27
167104	9/1921	United Kingdom	281/15 B

Primary Examiner—Susan J. Lucas
Assistant Examiner—Pamela Burgess
Attorney, Agent, or Firm—Nawrocki, Rooney & Silvertson, P.A.

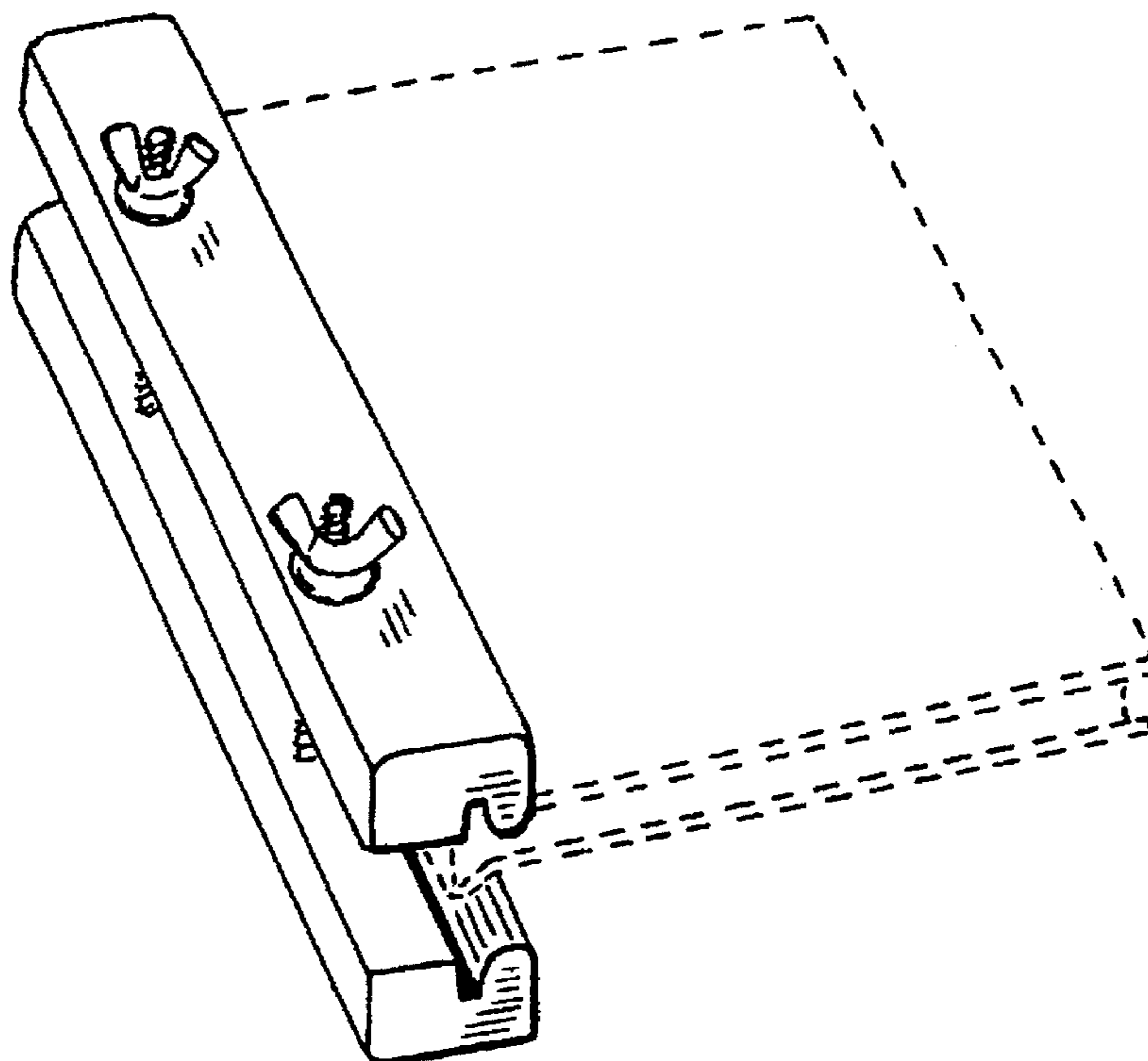
[57] **CLAIM**

The ornamental design for an apparatus for binding books, as shown and described.

DESCRIPTION

FIG. 1 is a perspective view of an apparatus for binding books showing our new design, broken lines show a book being bound for illustrative purposes only with the book forming no part of the claimed design;
FIG. 2 is a top plan view thereof;
FIG. 3 is a bottom view thereof;
FIG. 4 is an end view as viewed from the right, the left end view being a mirror image;
Fig. 5 is a front view thereof; and,
FIG. 6 is a back view thereof.

1 Claim, 2 Drawing Sheets



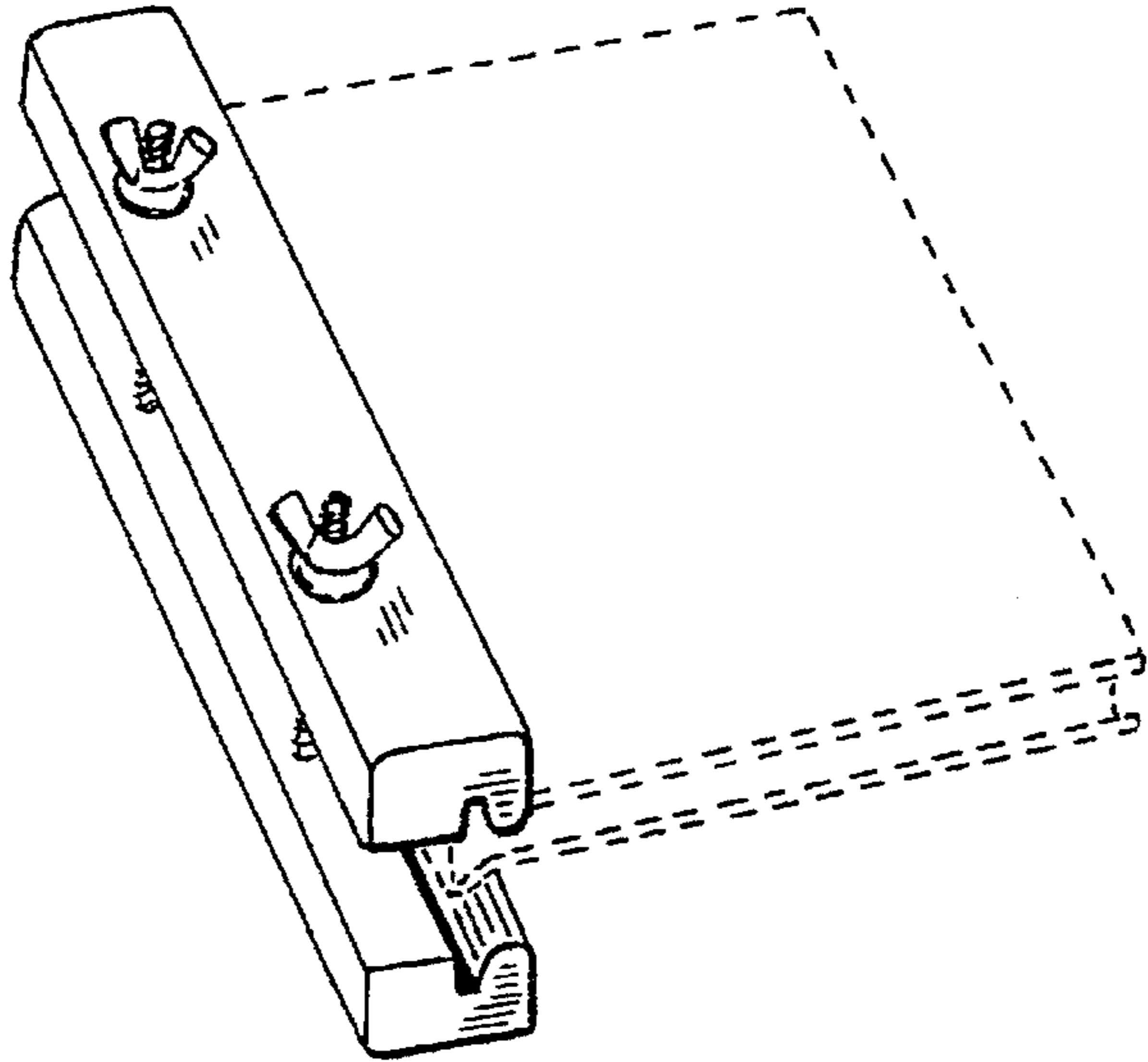


FIG. 1

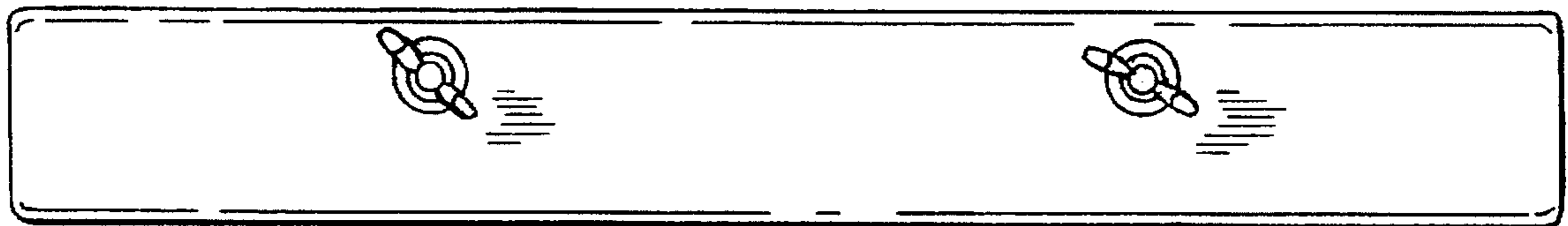


FIG. 2

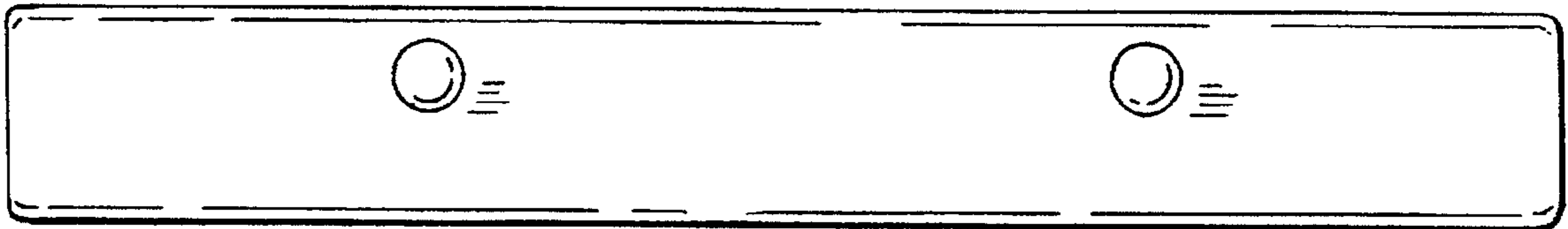


FIG. 3

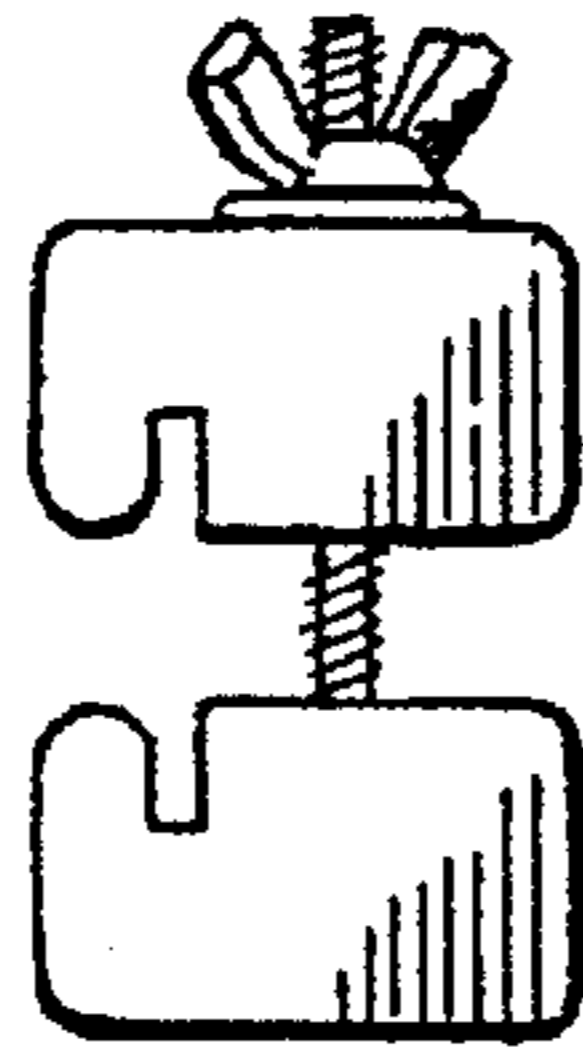


FIG. 4

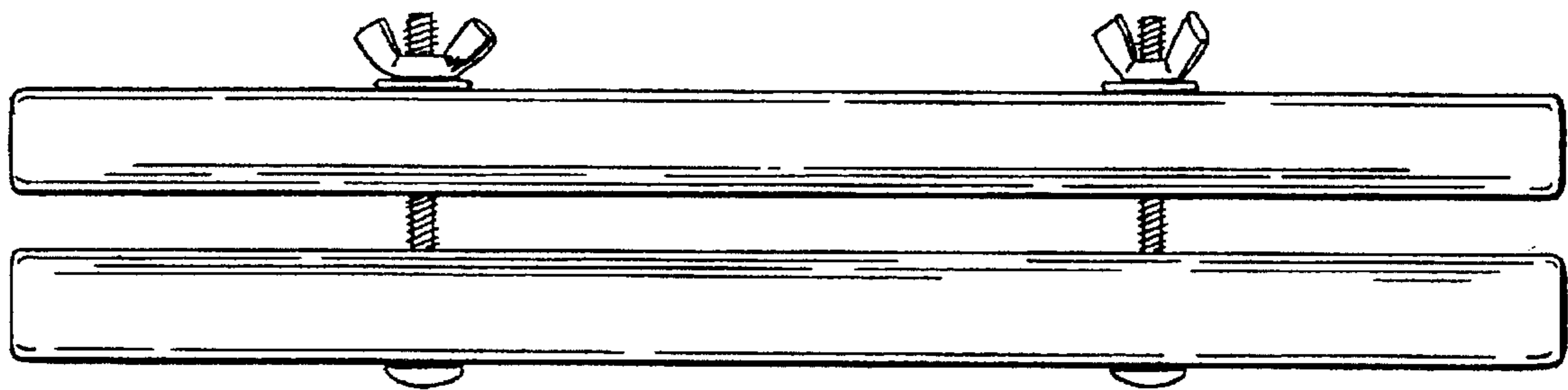


FIG. 5

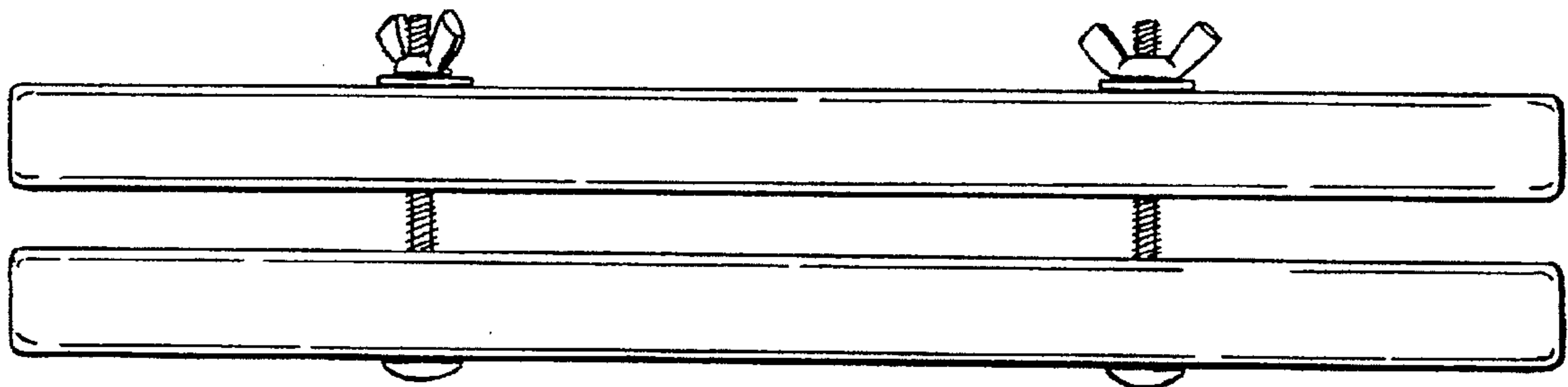


FIG. 6