



US00D380487S

United States Patent [19] Nevitt

[11] Patent Number: **Des. 380,487**

[45] Date of Patent: ****Jul. 1, 1997**

[54] **EYEGLOSS TEMPLE PIECE**

[75] Inventor: **Stephen Nevitt, Sarasota, Fla.**

[73] Assignee: **Solar-Mates, Inc., Sarasota, Fla.**

[**] Term: **14 Years**

[21] Appl. No.: **54,794**

[22] Filed: **May 22, 1996**

[51] LOC (6) Cl. **16-06**

[52] U.S. Cl. **D16/335; D16/323; D16/341**

[58] Field of Search **D16/300, 306,
D16/313-317, 319-321, 323-330, 335,
336, 338, 341; 351/41, 44, 51, 52, 111-122**

[56] **References Cited**

U.S. PATENT DOCUMENTS

D. 149,312	4/1948	Schwartz	D16/335
D. 152,502	1/1949	Stegeman	D16/335
D. 159,355	7/1950	Lindblom .	
D. 175,555	9/1955	Kono	D16/323
D. 209,175	11/1967	Kono	D16/335
D. 232,260	7/1974	Gardner	D16/335
D. 349,508	8/1994	Conway	D16/335
D. 358,600	5/1995	Jannard	D16/335
1,337,330	4/1920	Schwab .	
2,561,402	7/1951	Nelson .	
3,052,160	9/1962	Ratti .	
3,627,406	12/1971	Blumenthal .	

3,953,114	4/1976	Bidgood .	
4,806,008	2/1989	Tarloff	351/52
4,904,075	2/1990	Blumenthal	351/114
4,917,479	4/1990	Bidgood .	
5,233,371	8/1993	Guillet	351/111
5,345,616	9/1994	Weidner .	

Primary Examiner—Raphael Barkai
Attorney, Agent, or Firm—Cowan, Liebowitz & Latman, P.C.

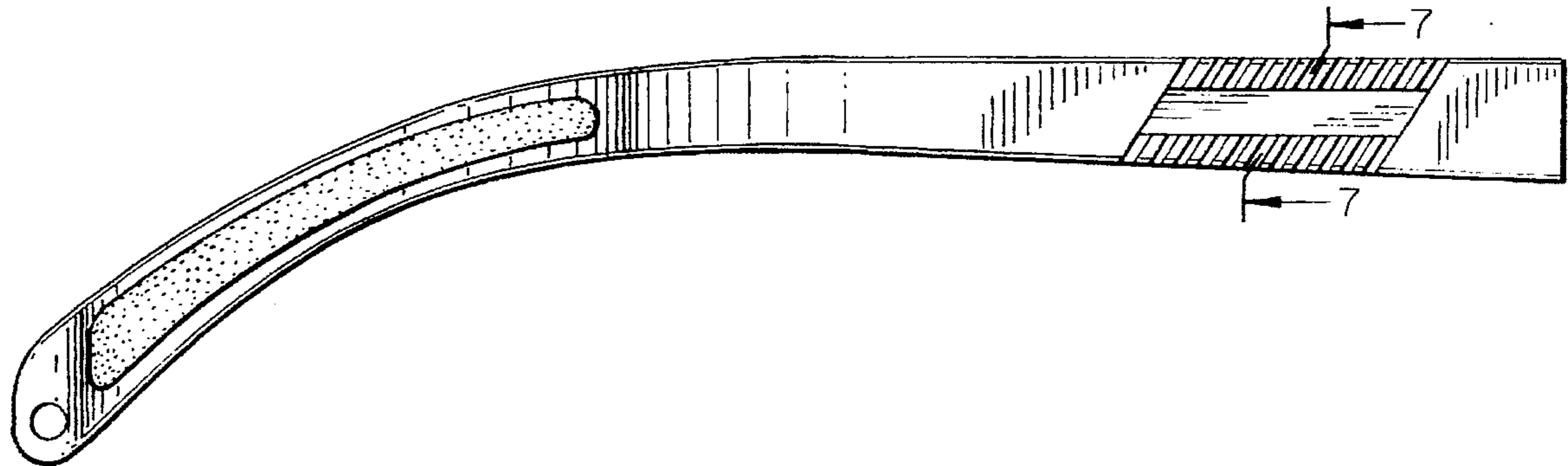
[57] **CLAIM**

The ornamental design for an eyeglass temple piece, as shown and described.

DESCRIPTION

FIG. 1 is a top plan view of the eyeglass temple piece of the present invention;
FIG. 2 is a right side elevational view thereof;
FIG. 3 is a distal, earhook-end elevational view thereof;
FIG. 4 is a left side elevational view thereof;
FIG. 5 is a proximal, hinge-end elevational view thereof;
FIG. 6 is a bottom plan view thereof;
FIG. 7 is a cross-sectional view taken along line 7—7 of FIG. 2;
FIG. 8 is a cross-sectional view taken along line 8—8 of FIG. 4; and,
FIG. 9 is a lengthwise cross-sectional view taken along line 9—9 of FIG. 4.

1 Claim, 2 Drawing Sheets



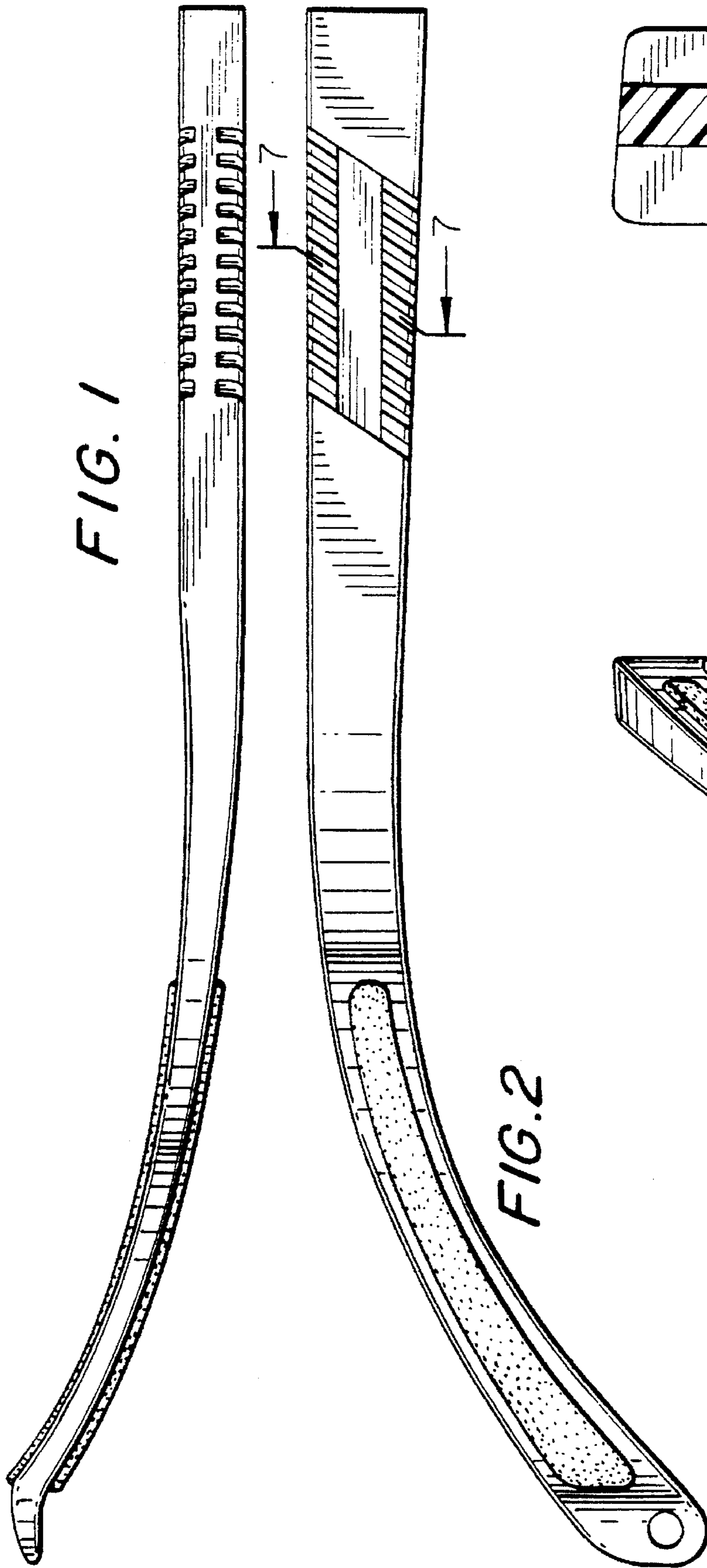


FIG. 1

FIG. 2

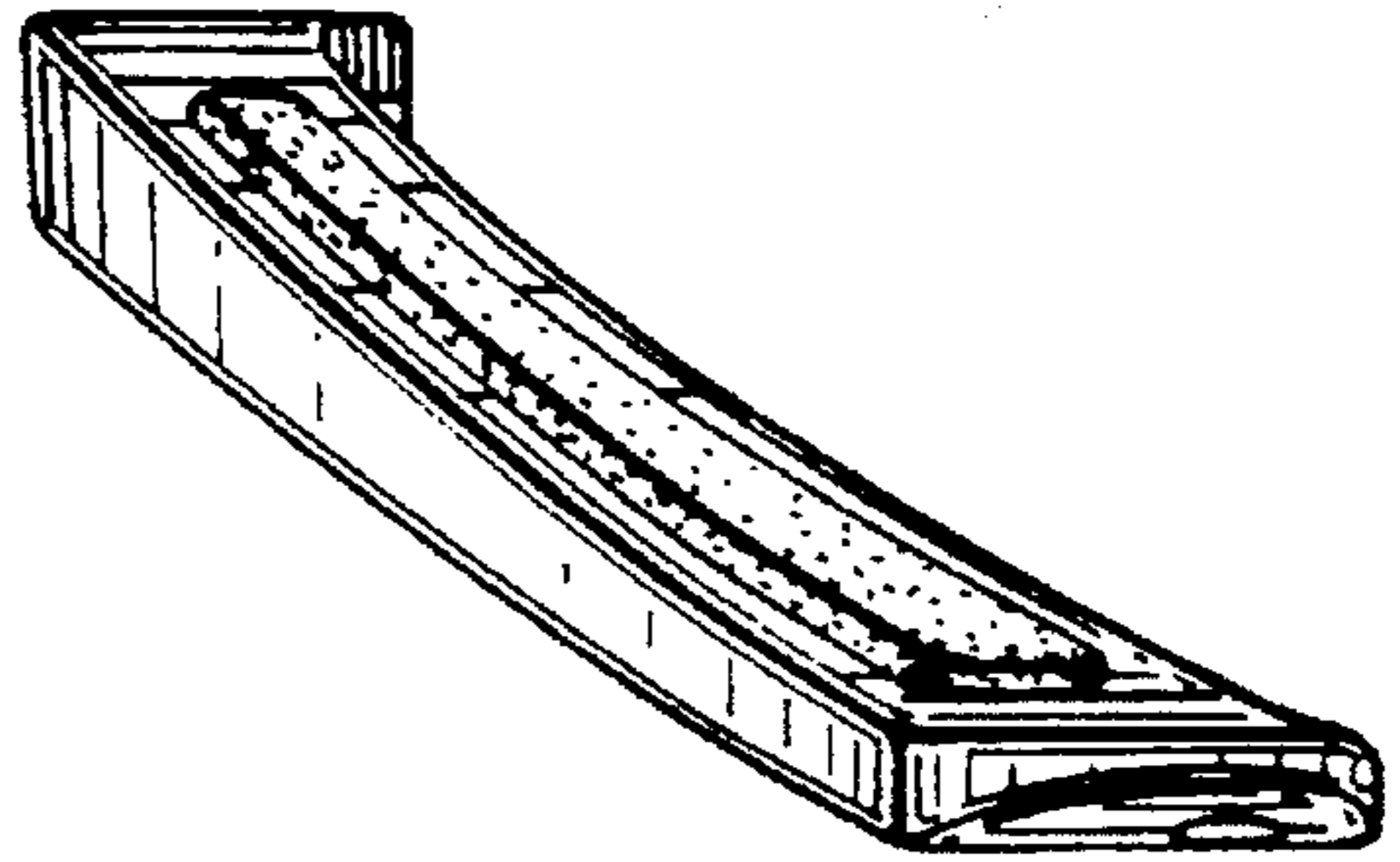


FIG. 3

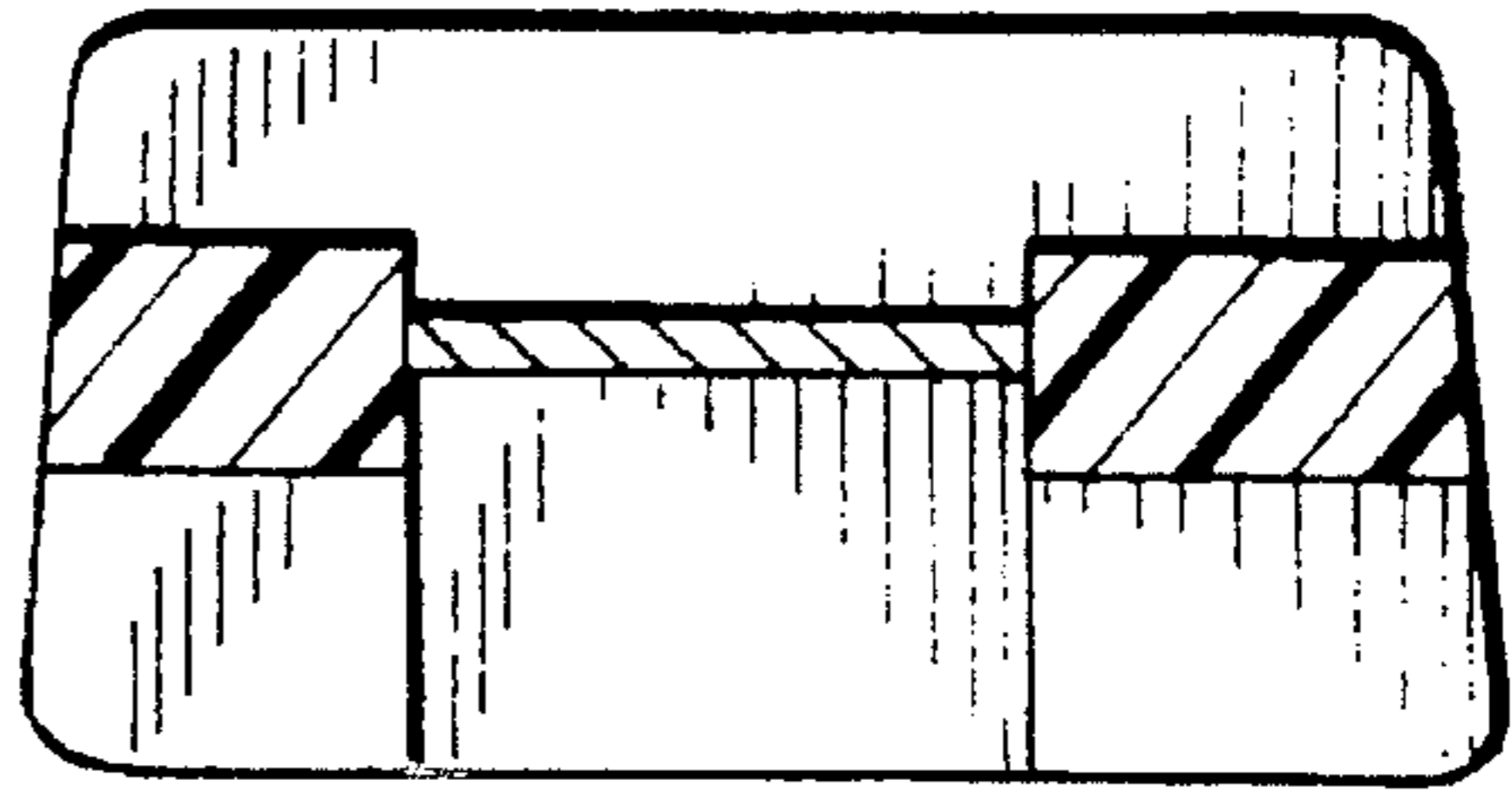


FIG. 7

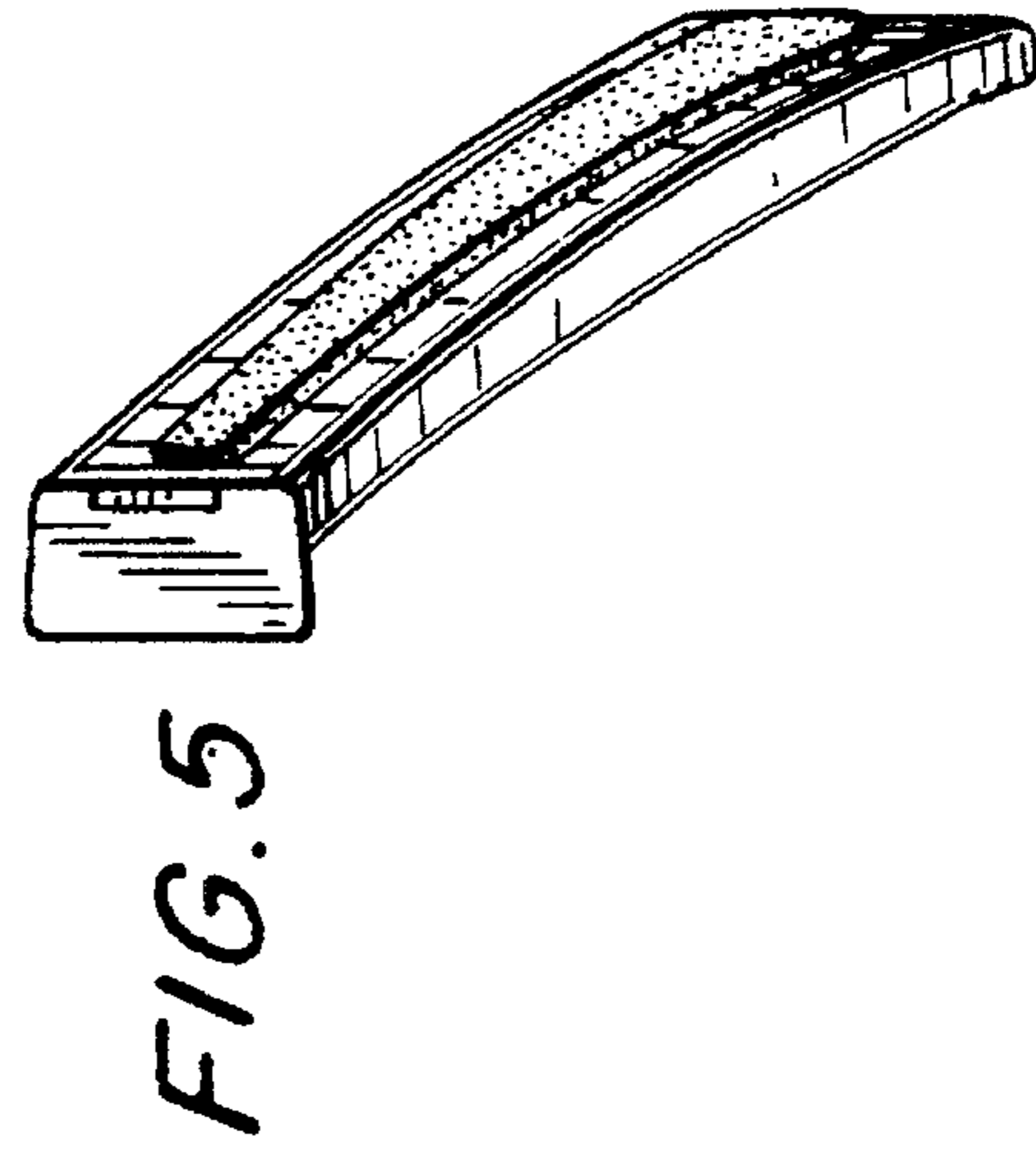
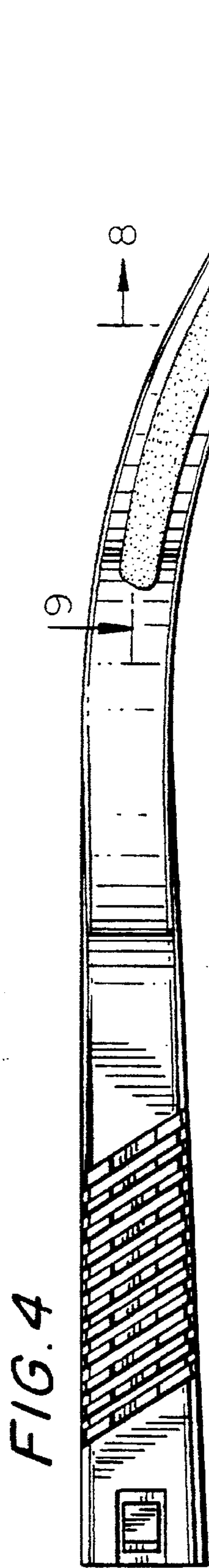


FIG. 8

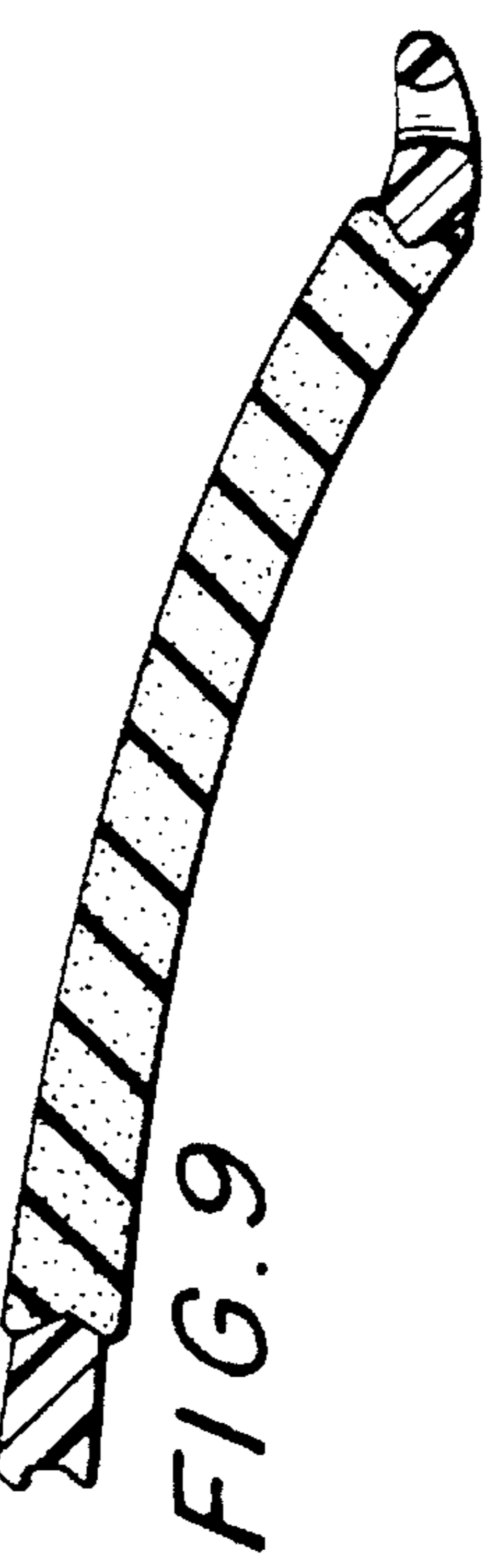
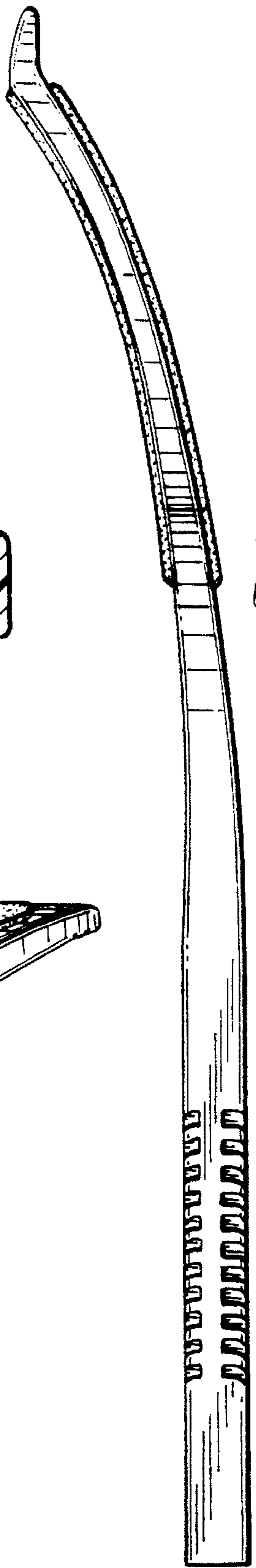
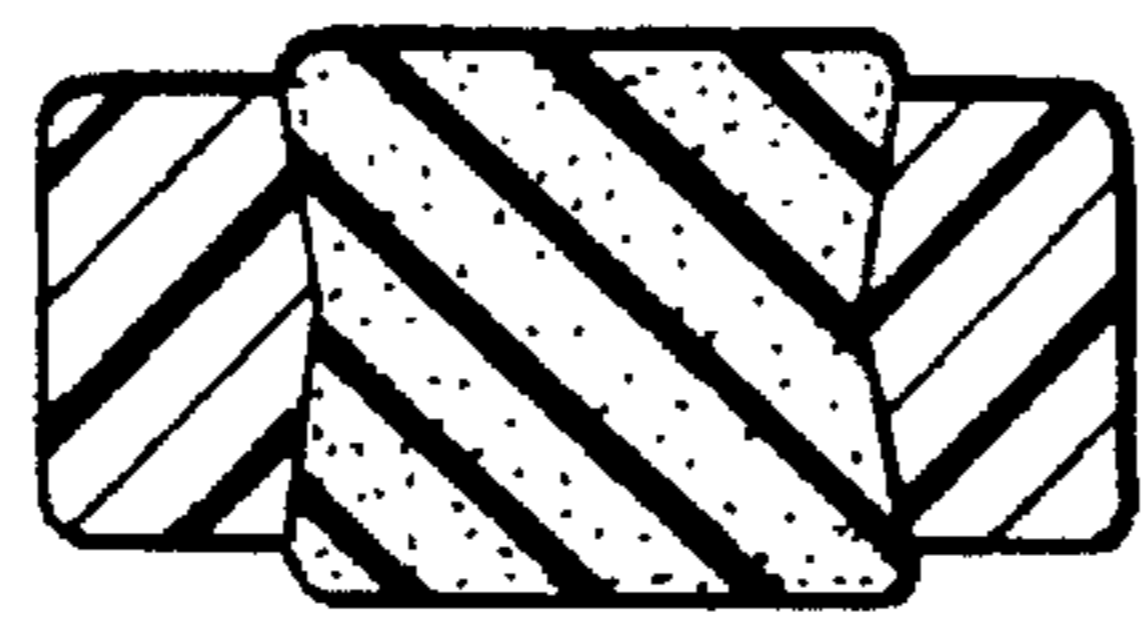


FIG. 6

FIG. 9