



US00D380485S

United States Patent [19]
Grunwald

[11] **Patent Number:** **Des. 380,485**

[45] **Date of Patent:** ****Jul. 1, 1997**

[54] **LCD DAYLIGHT PROJECTOR FOR DATA AND VIDEO WITH INTEGRATED PC**

Attorney, Agent, or Firm—Emmanuel J. Lobato; Burns & Lobato, P.C.

[76] **Inventor:** **Peter Hein Grunwald**, Schlattstrasse 215, 9491 Ruggell, Liechtenstein

[57] **CLAIM**

[**] **Term:** **14 Years**

The ornamental design for a LCD daylight projector for data and video with integrated PC, as shown and described.

[21] **Appl. No.:** **51,715**

DESCRIPTION

[22] **Filed:** **Mar. 15, 1996**

FIG. 1 is a side perspective view of the LCD daylight projection in an open position showing my new design; FIG. 2 is a perspective side and rear view thereof in an open position;

[30] **Foreign Application Priority Data**

Sep. 28, 1995 [DE] Germany M 95 07 755.3

FIG. 3 is a side perspective view thereof in a closed position;

[51] **LOC (6) Cl.** **16-02**

FIG. 4 is a right side elevation view thereof in an open position;

[52] **U.S. Cl.** **D16/232**

FIG. 5 is a left side elevation view in an open position;

[58] **Field of Search** D16/221, 229, D16/232, 225, 233; 40/365; 353/61, 66, 119, 122, DIG. 3, DIG. 4, DIG. 5

FIG. 6 is a front elevation view in an open position;

FIG. 7 is a top plan view in a closed condition;

FIG. 8 is a right side elevation view thereof in a closed condition;

[56] **References Cited**

U.S. PATENT DOCUMENTS

- D. 350,361 9/1994 Hasegawa D16/232
- D. 352,502 11/1994 Hasegawa D16/232
- D. 360,426 7/1995 Maiefski et al. D16/232
- D. 367,073 2/1996 Kuo et al. D16/232

FIG. 9 is a front elevation view thereof in a closed condition;

FIG. 10 is a left side elevation view thereof in a closed condition;

FIG. 11 is a bottom plan view thereof in a closed condition;

and,

FIG. 12 is a rear elevation view thereof in a closed condition.

Primary Examiner—Terry A. Wallace
Assistant Examiner—Adir Aronovich

1 Claim, 3 Drawing Sheets

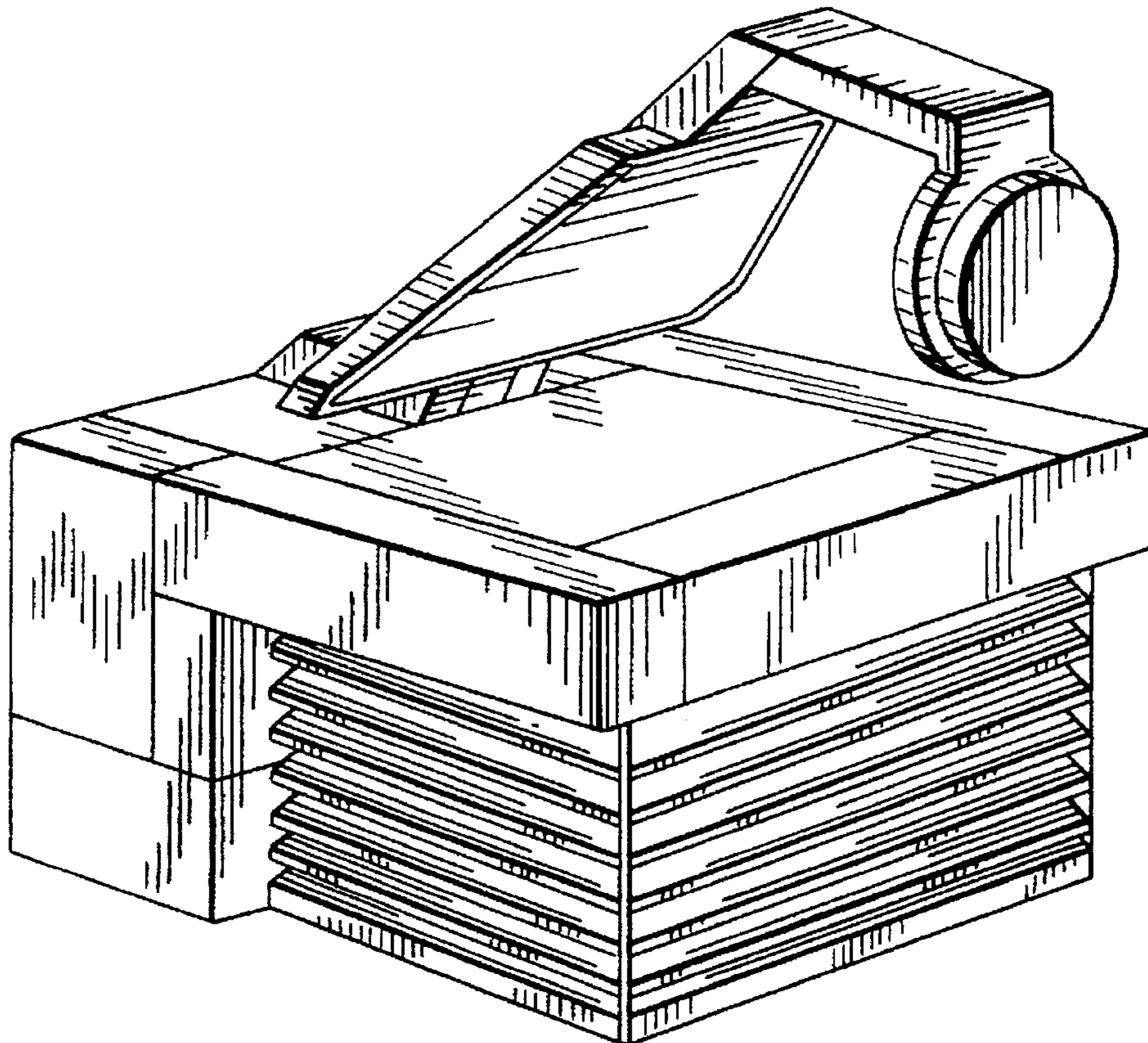


FIG. 1

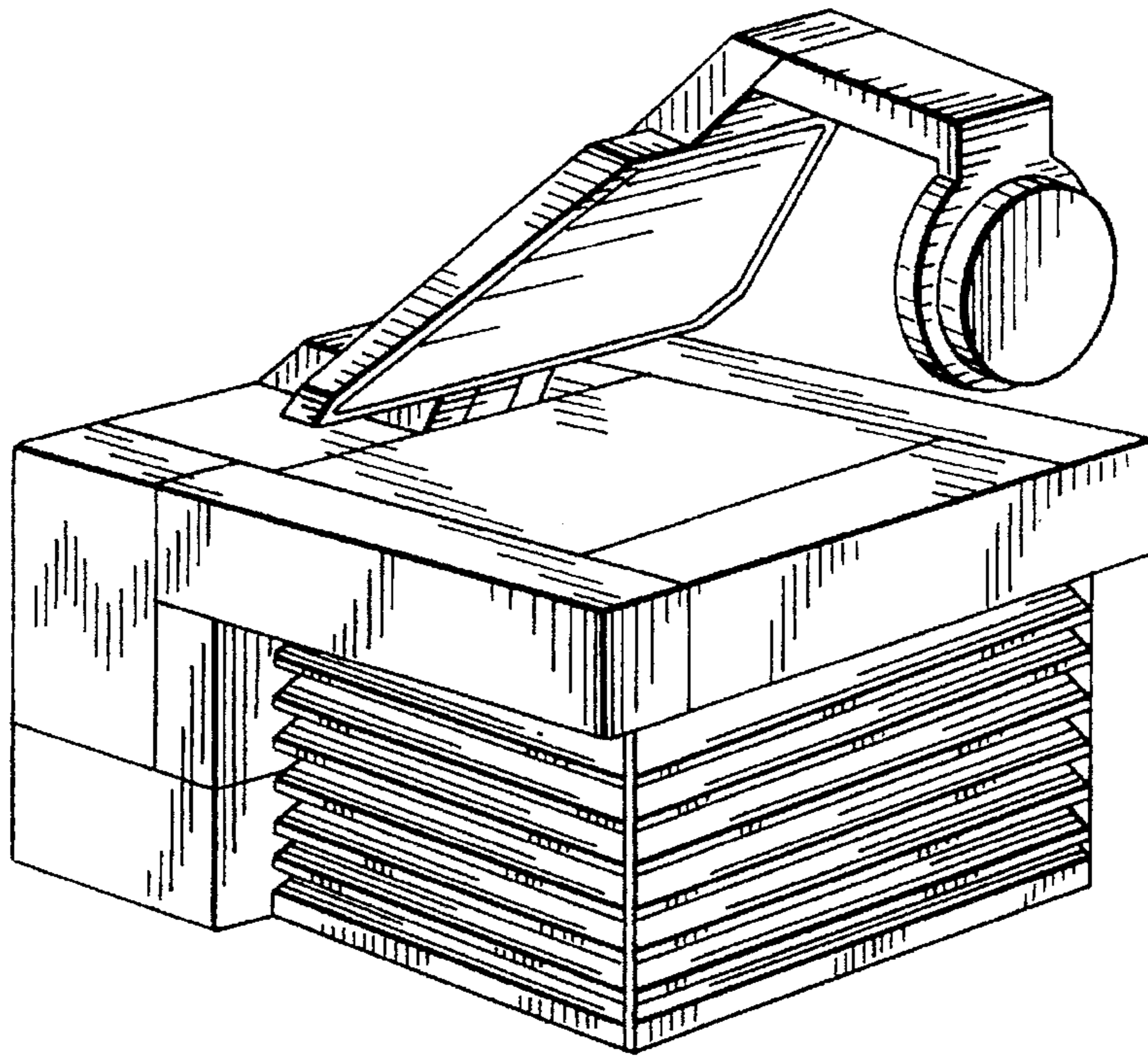


FIG. 2

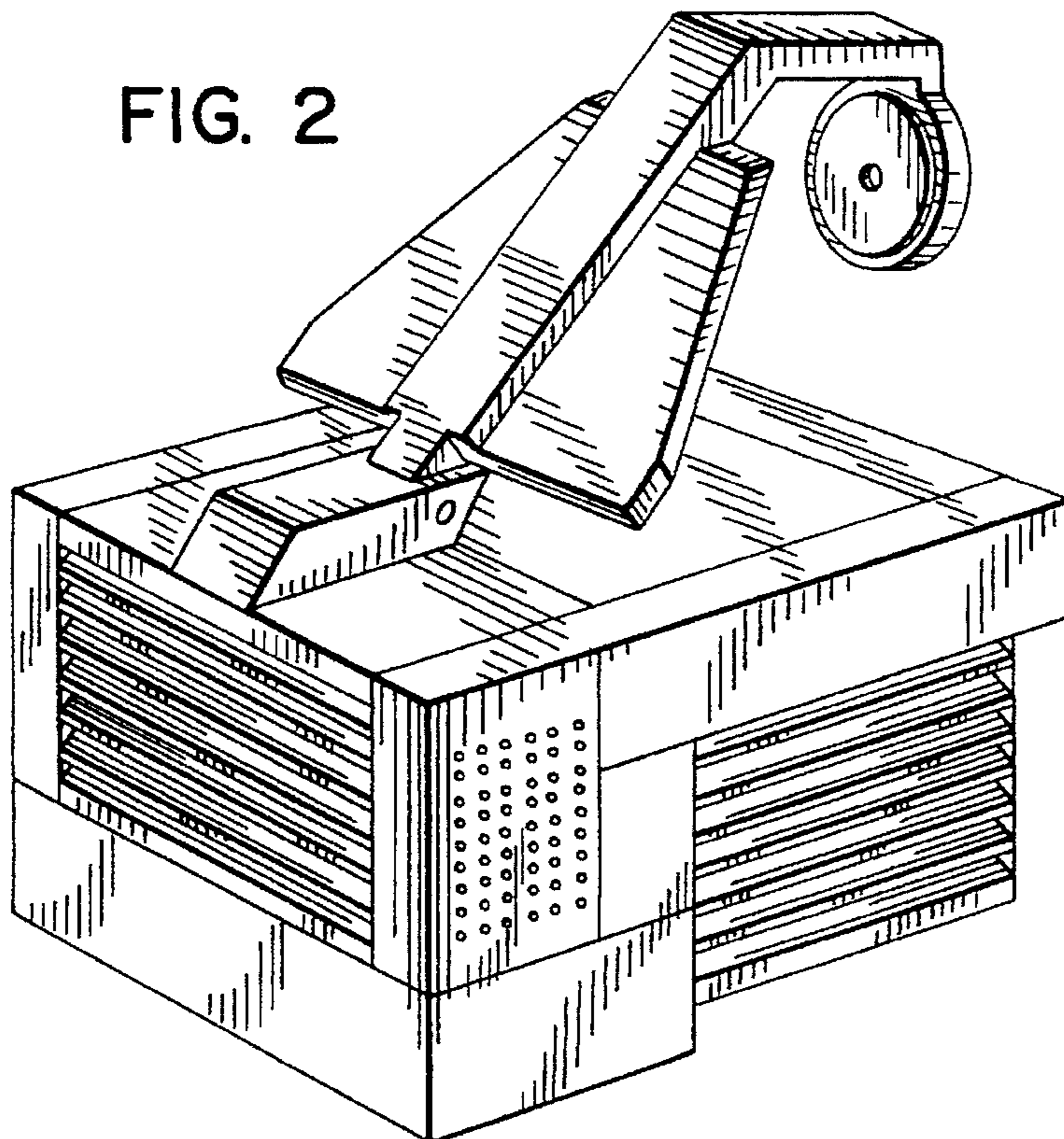


FIG. 3

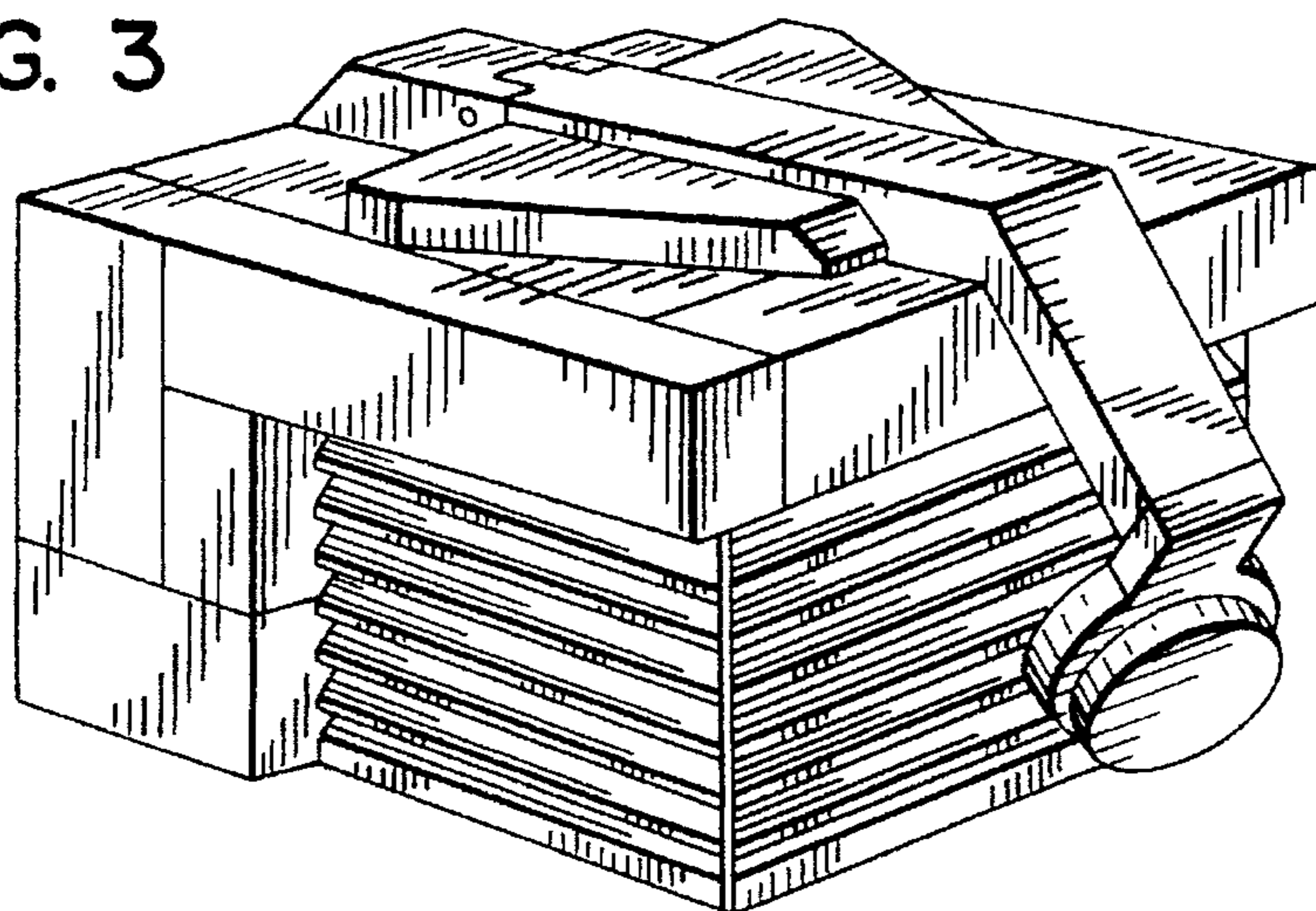


FIG. 4

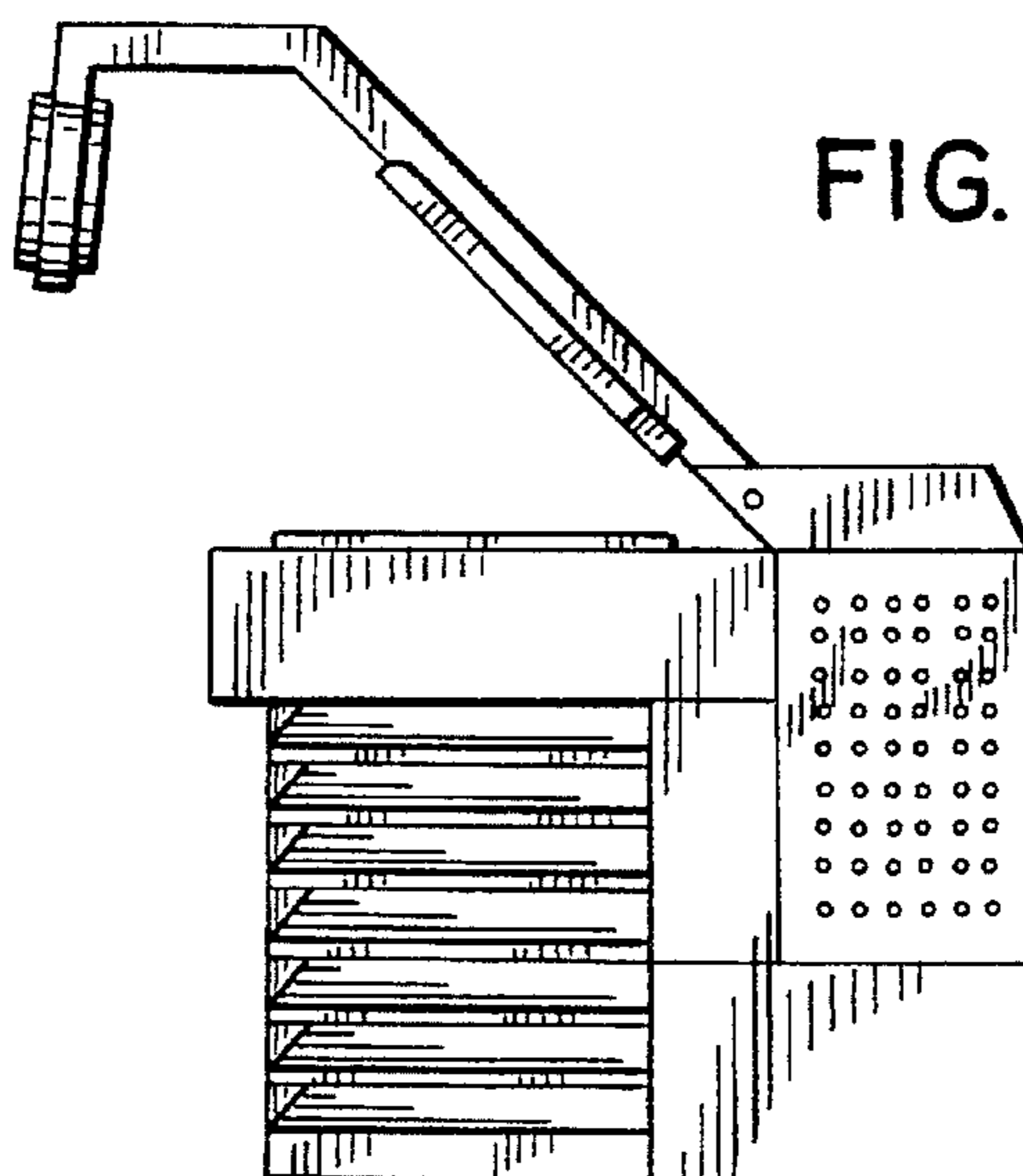


FIG. 5

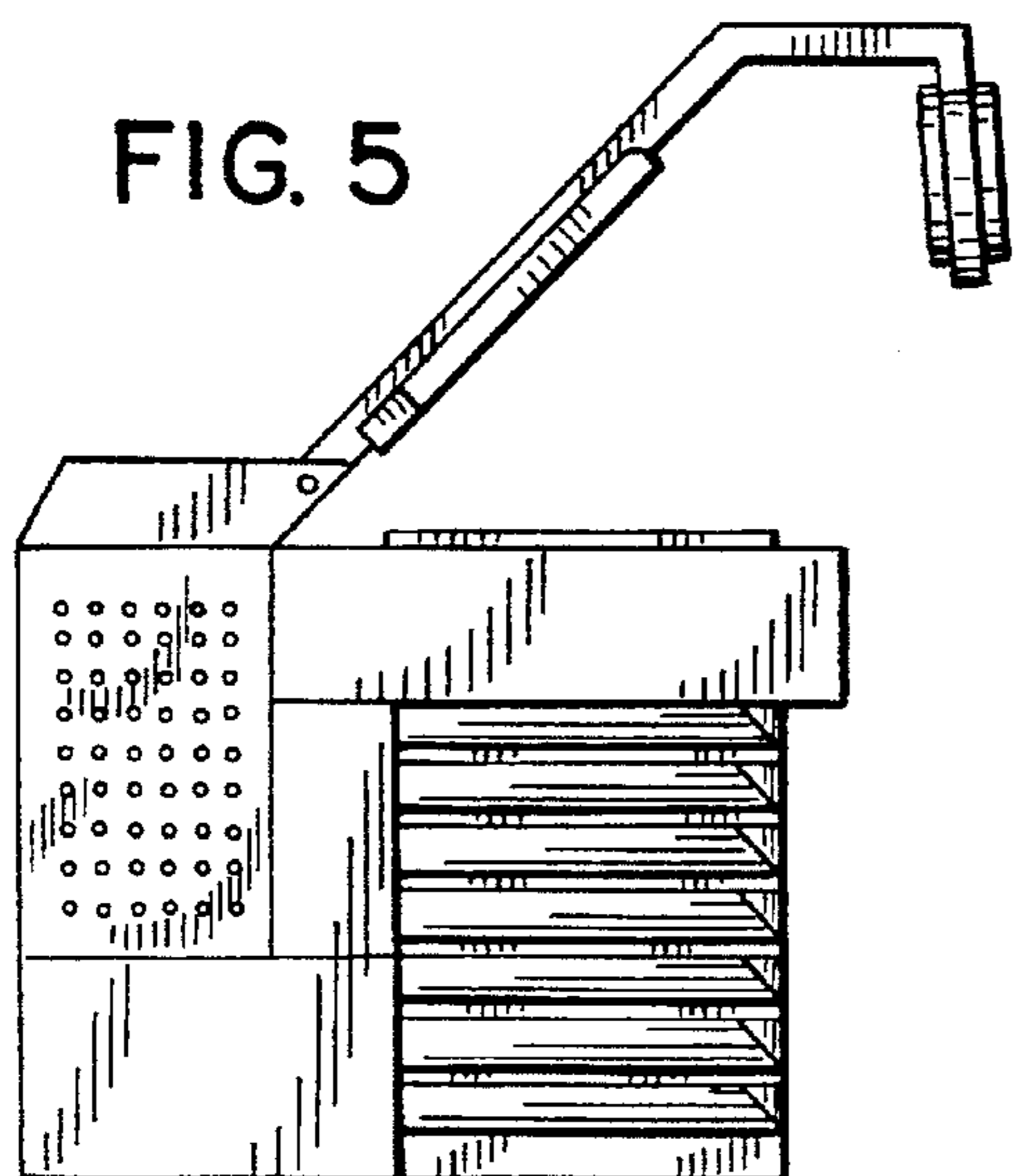
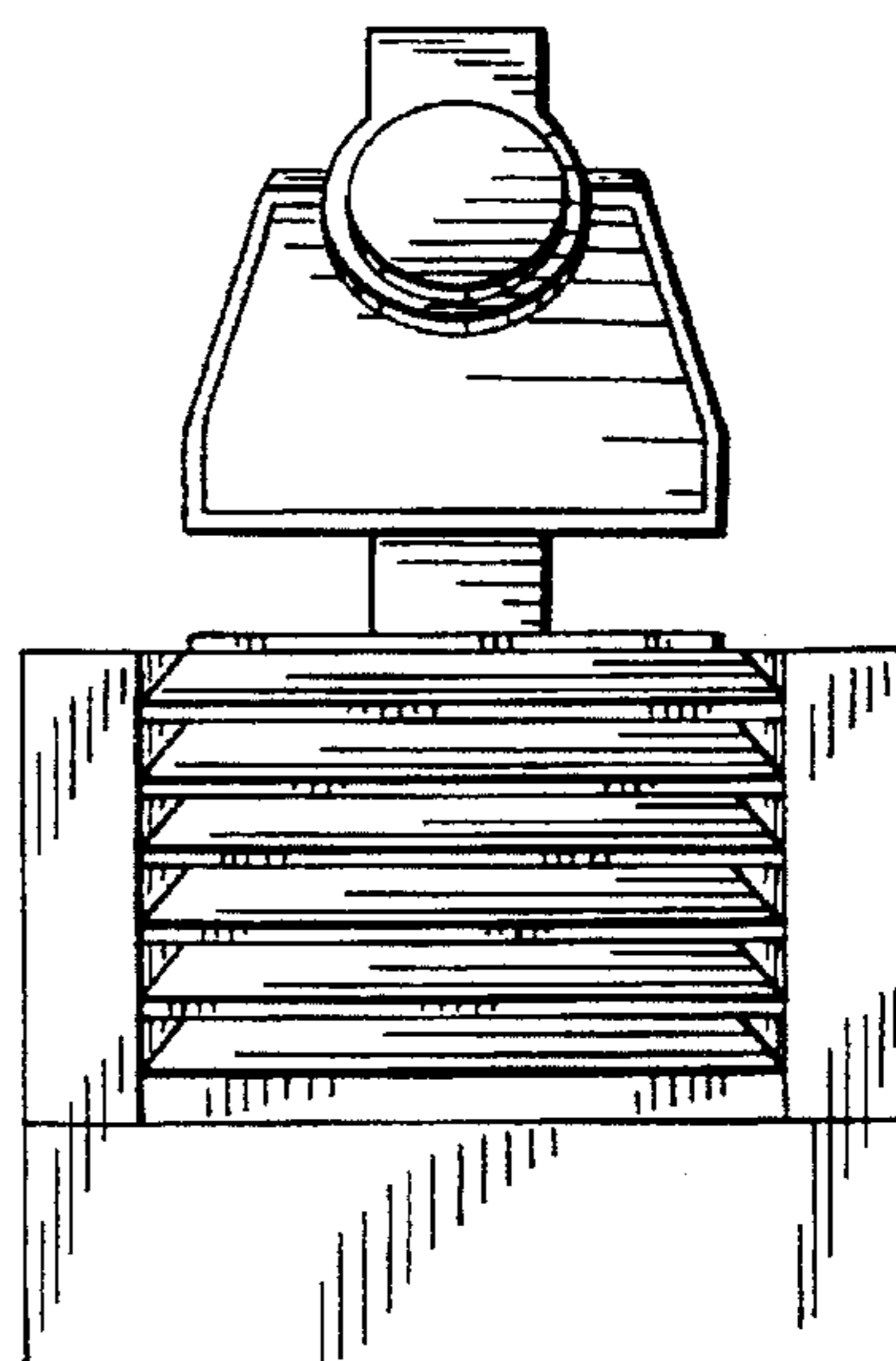


FIG. 6



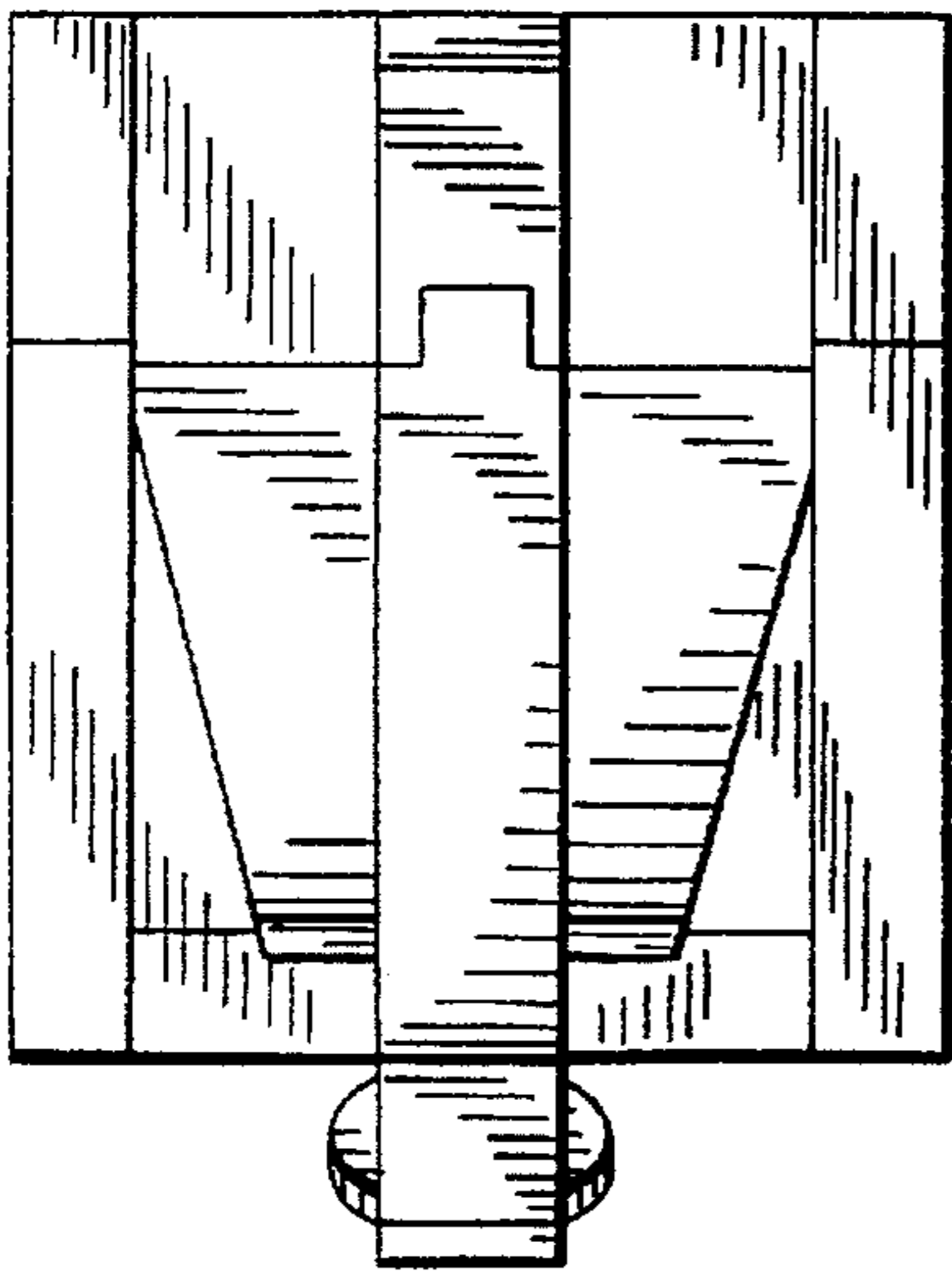


FIG. 7

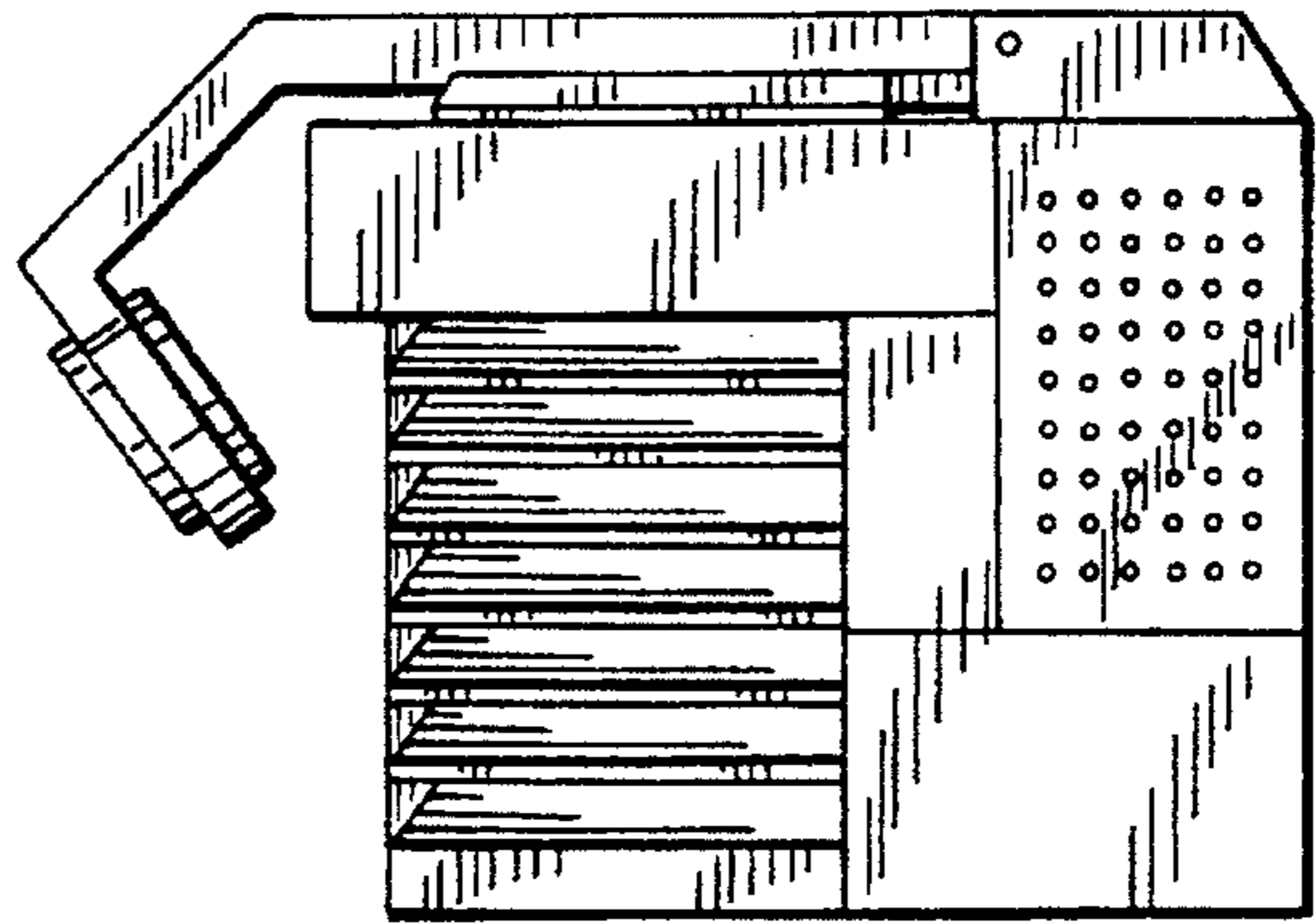


FIG. 8

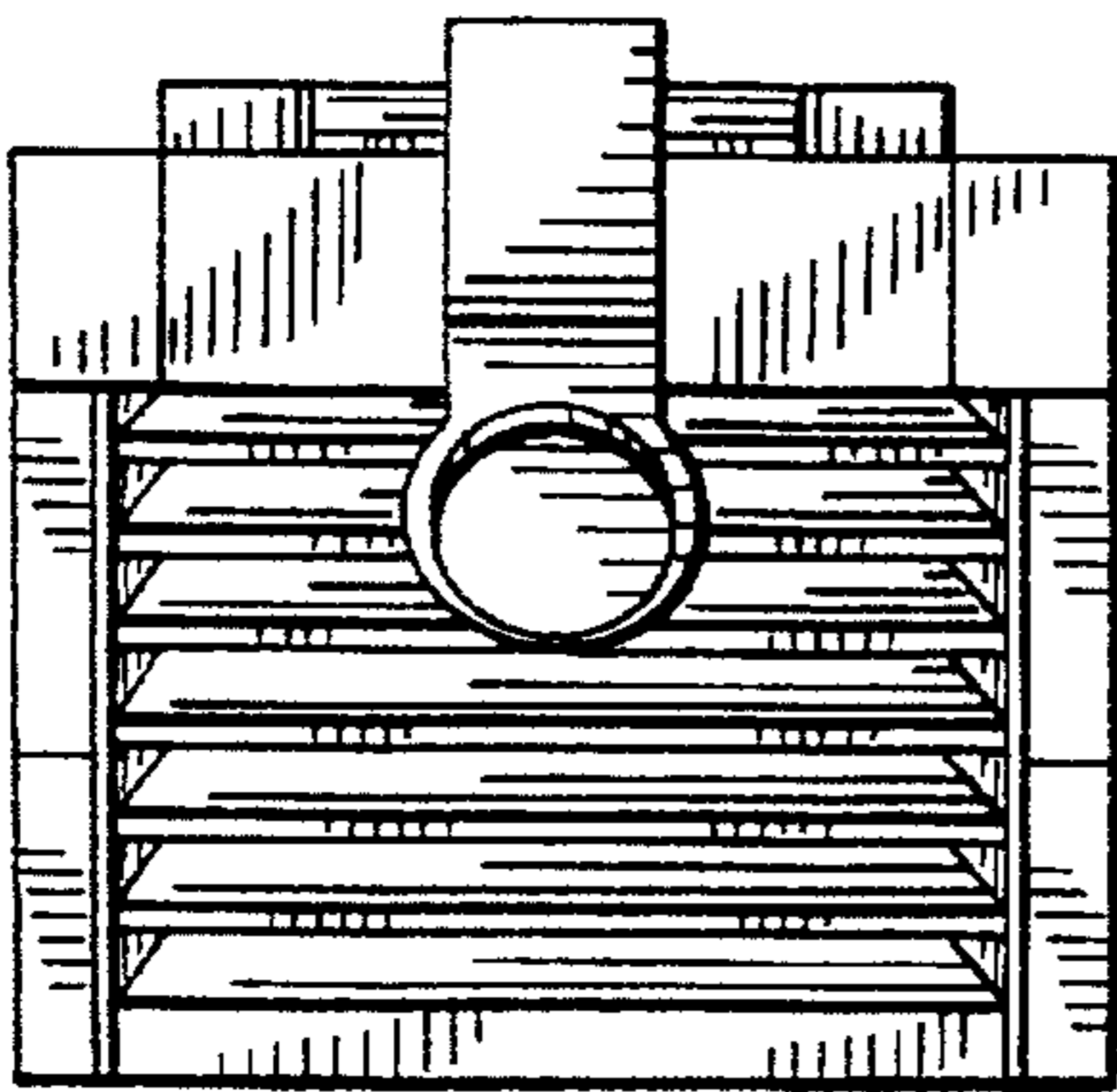


FIG. 9

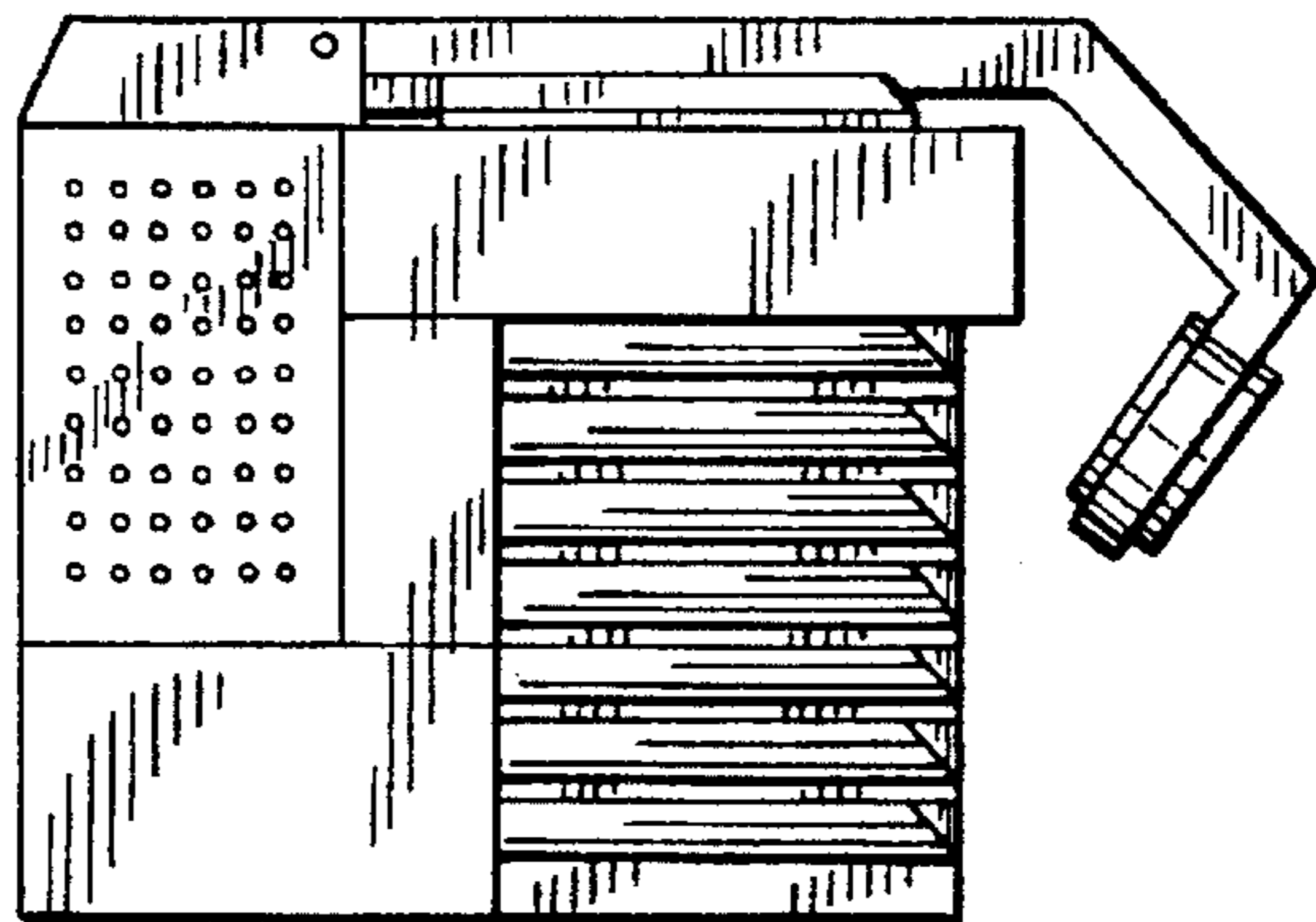


FIG. 10

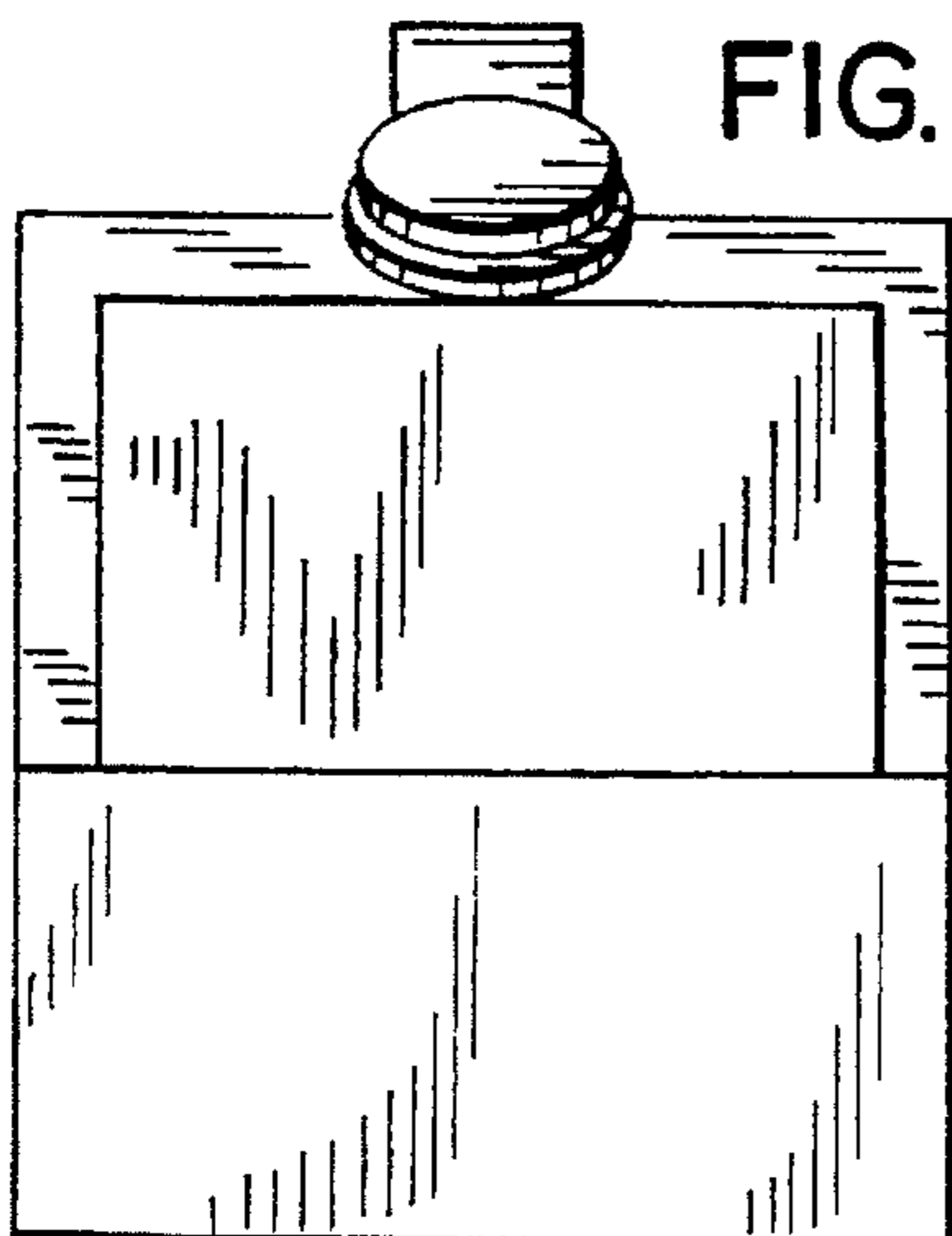


FIG. 11

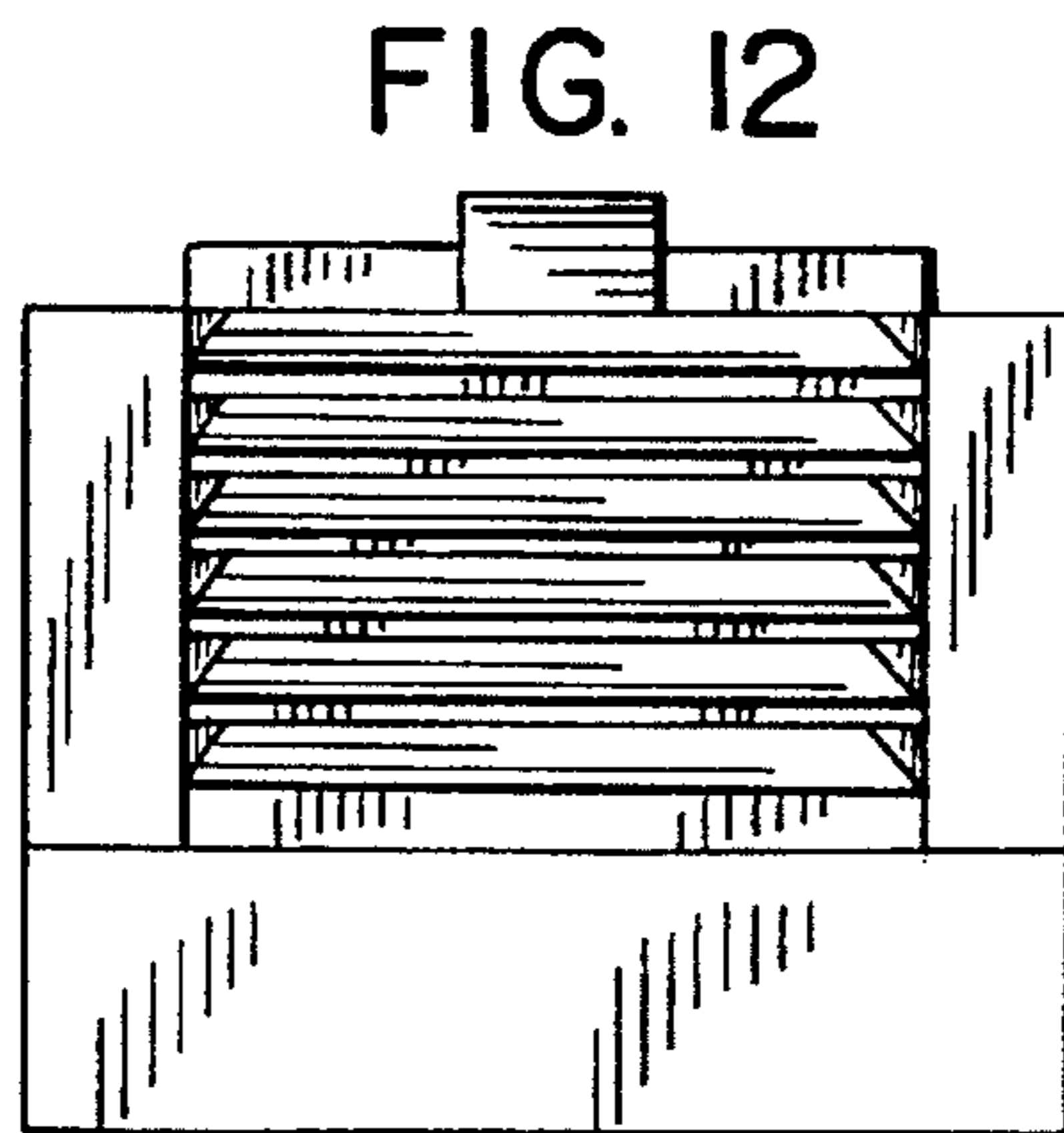


FIG. 12