



US00D380479S

United States Patent [19]

Cantley et al.

[11] Patent Number: Des. 380,479

[45] Date of Patent: **Jul. 1, 1997

[54] MODULAR PUMP

[75] Inventors: **George A. Cantley**, Akron; **David L. Prince**, Medina, both of Ohio

[73] Assignee: **Teledyne Industries, Inc.**, Los Angeles, Calif.

[**] Term: 14 Years

[21] Appl. No.: 51,240

[22] Filed: Mar. 6, 1996

[51] LOC (6) Cl. 03-01

[52] U.S. Cl. D15/7

[58] Field of Search D15/7-9.1; 417/360, 417/234; 181/198

- 4,104,008 8/1978 Hoffmann et al. .
- 4,123,204 10/1978 Scholle .
- 4,405,292 9/1983 Bixby, Jr. et al. .
- 4,441,862 4/1984 Vogel .
- 4,540,349 9/1985 Du .
- 4,684,332 8/1987 Hartley et al. .
- 4,693,271 9/1987 Hargrove et al. .
- 4,730,991 3/1988 Handfield .
- 4,971,531 11/1990 Aikioniemi .
- 4,981,418 1/1991 Kingsford et al. .
- 5,094,596 3/1992 Erwin et al. .
- 5,169,296 12/1992 Wilden .
- 5,326,234 7/1994 Versaw et al. .
- 5,415,531 5/1995 Cavanaugh .

Primary Examiner—Ralf Seifert
Attorney, Agent, or Firm—Pearne, Gordon, McCoy & Granger

[57] CLAIM

The ornamental design for a modular pump, as shown and described.

DESCRIPTION

FIG. 1 is a front perspective view of a modular pump, showing our new design;
FIG. 2 is a front elevational view thereof;
FIG. 3 is a top plan view thereof;
FIG. 4 is a right side elevational view thereof;
FIG. 5 is a back elevational view thereof;
FIG. 6 is a left side elevational view thereof; and,
FIG. 7 is a bottom plan view thereof.

1 Claim, 3 Drawing Sheets

[56] References Cited

U.S. PATENT DOCUMENTS

- D. 245,779 9/1977 Nobata D15/9
- D. 270,002 8/1983 Kahn et al. D15/9
- D. 352,041 11/1994 Hansen D15/9
- D. 352,720 11/1994 Gildersleeve et al. D15/7
- D. 354,754 1/1995 Broughton D15/7
- 2,751,889 6/1956 Mohler .
- 2,751,891 6/1956 Mohler .
- 2,826,149 3/1958 Wrigley .
- 3,174,409 3/1965 Hill .
- 3,272,081 9/1966 Vedder et al. .
- 3,489,100 1/1970 Hill .
- 3,758,236 9/1973 Zimmerman 417/360
- 3,794,448 2/1974 Albertson .
- 3,963,383 6/1976 Hill .

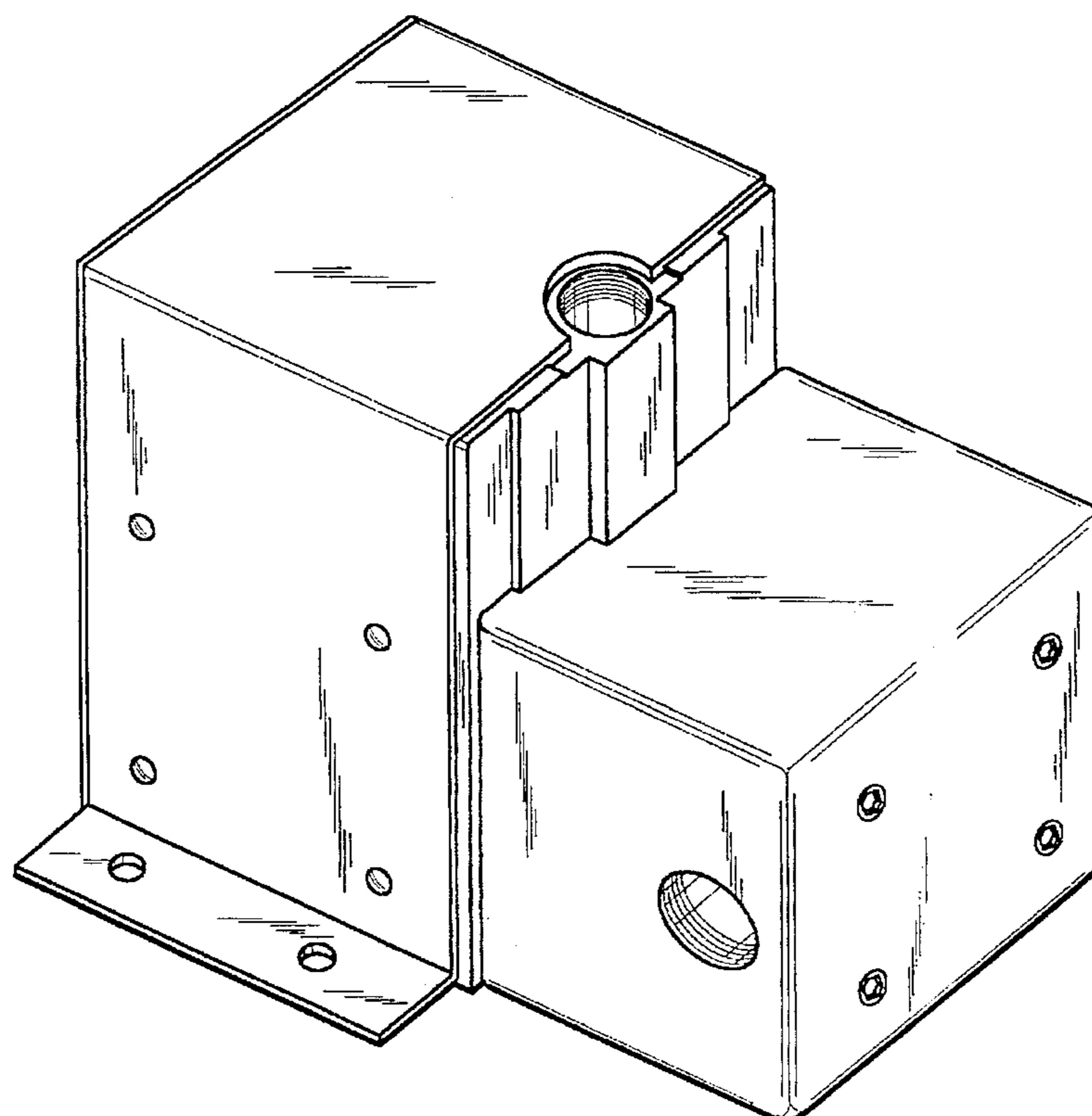
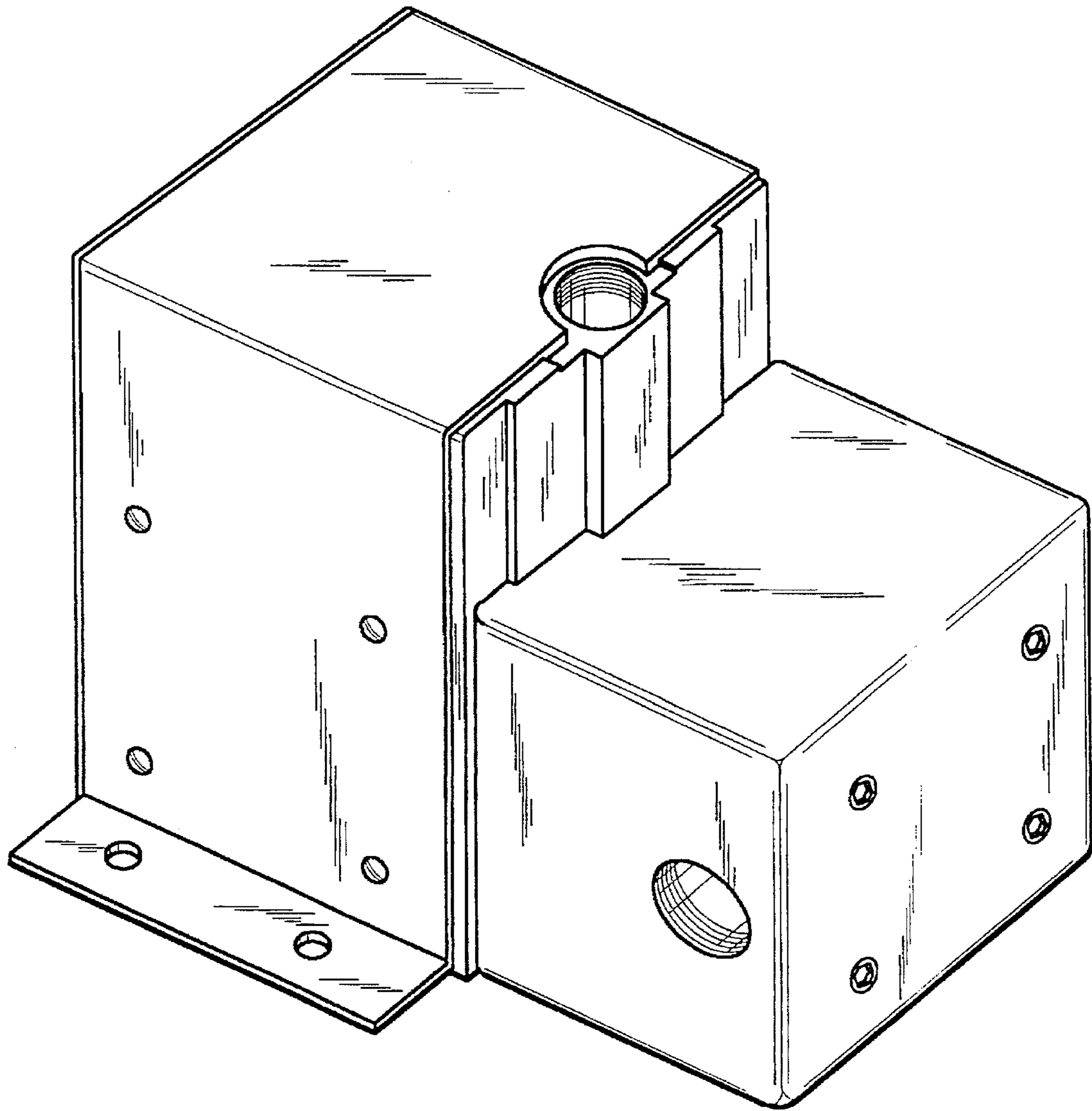


Fig. 1



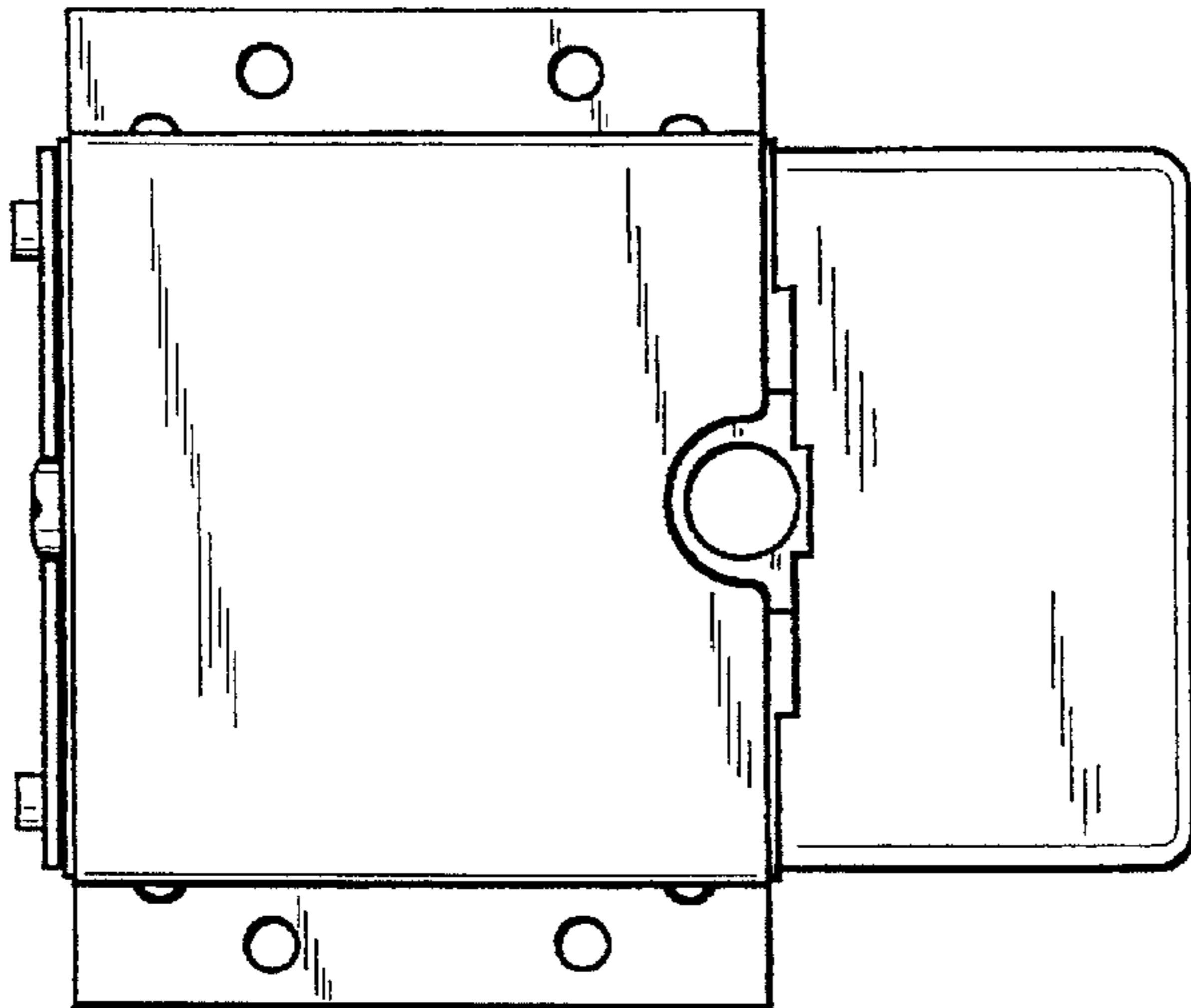


Fig.3

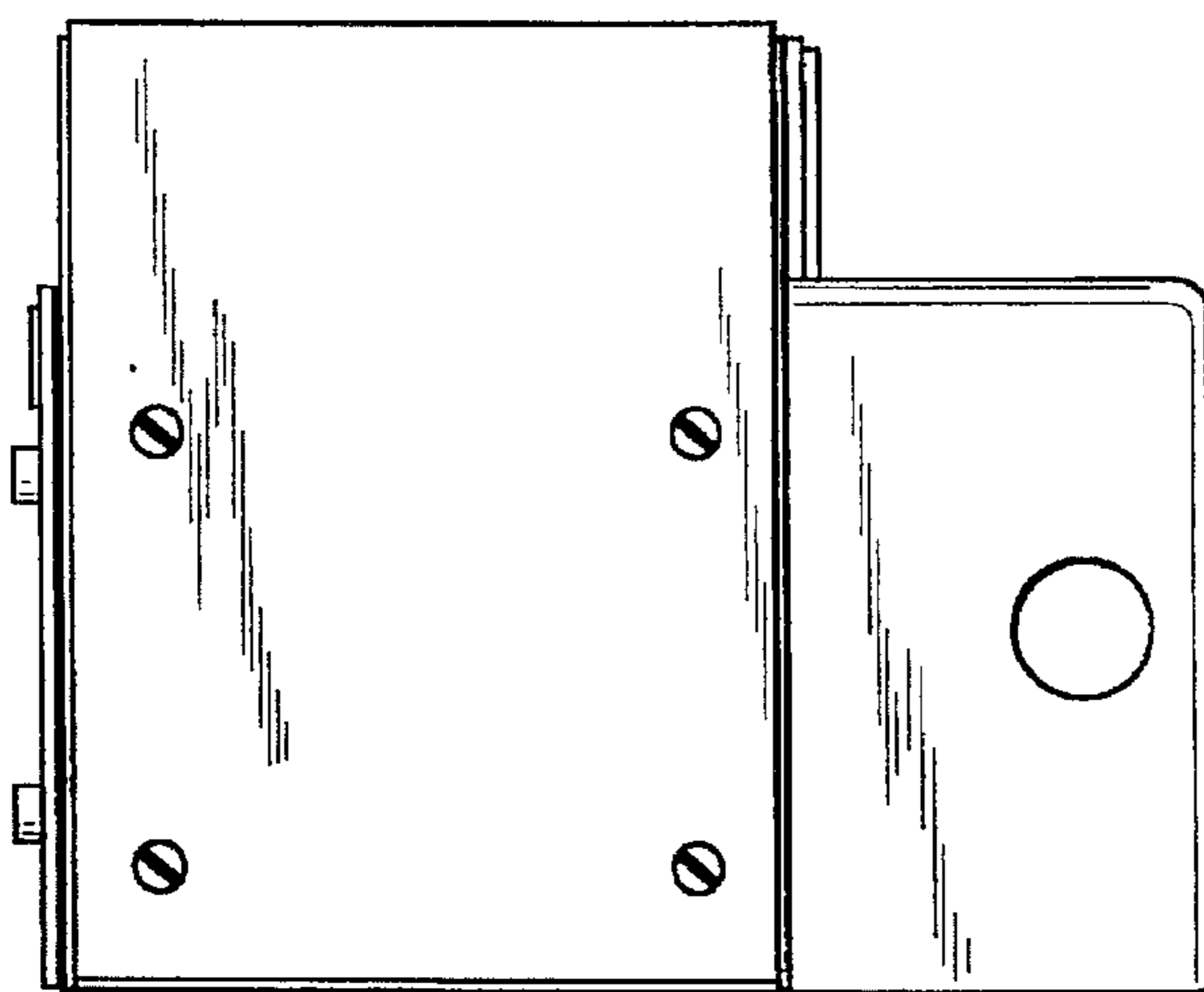


Fig.2

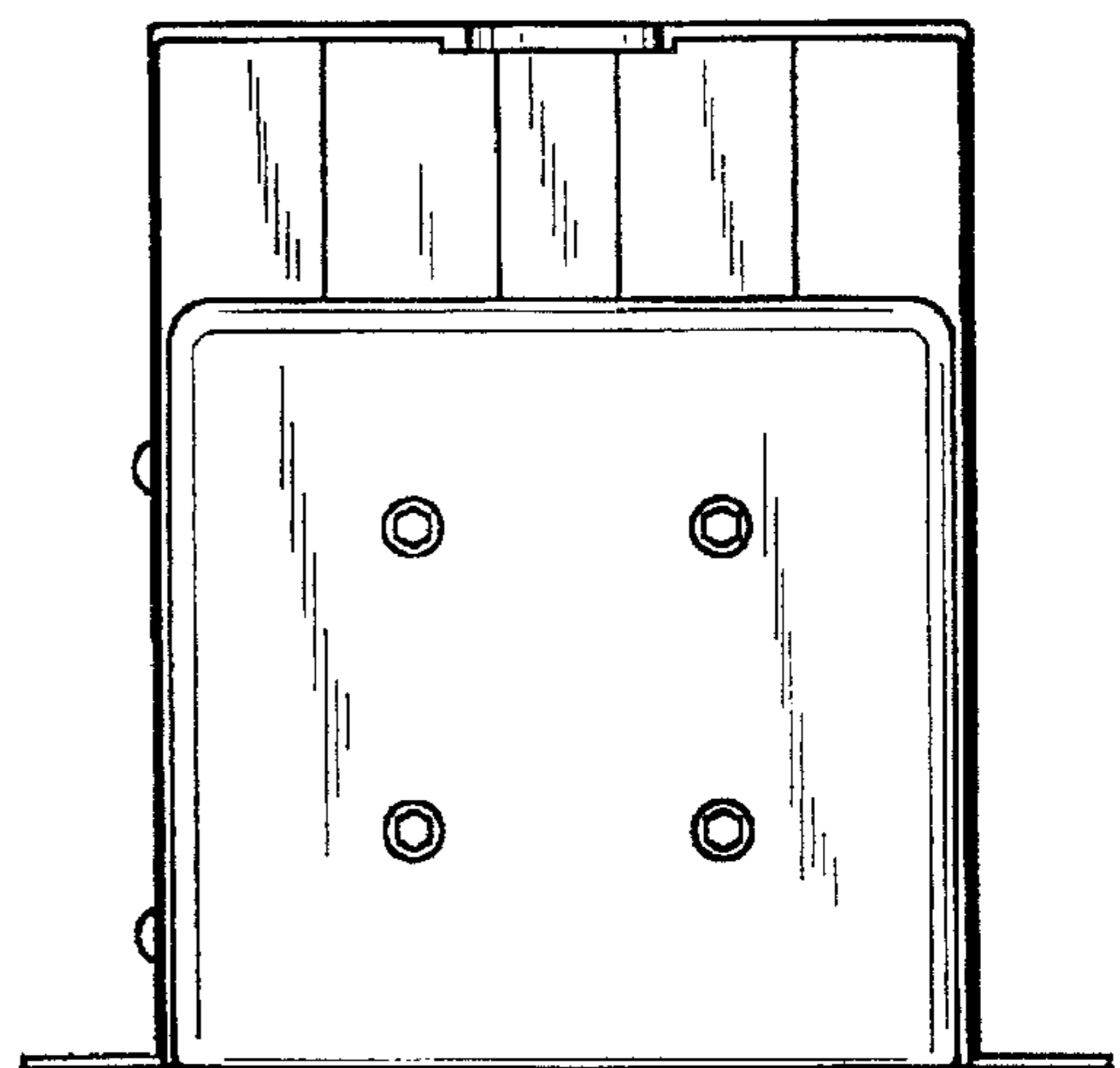


Fig.4

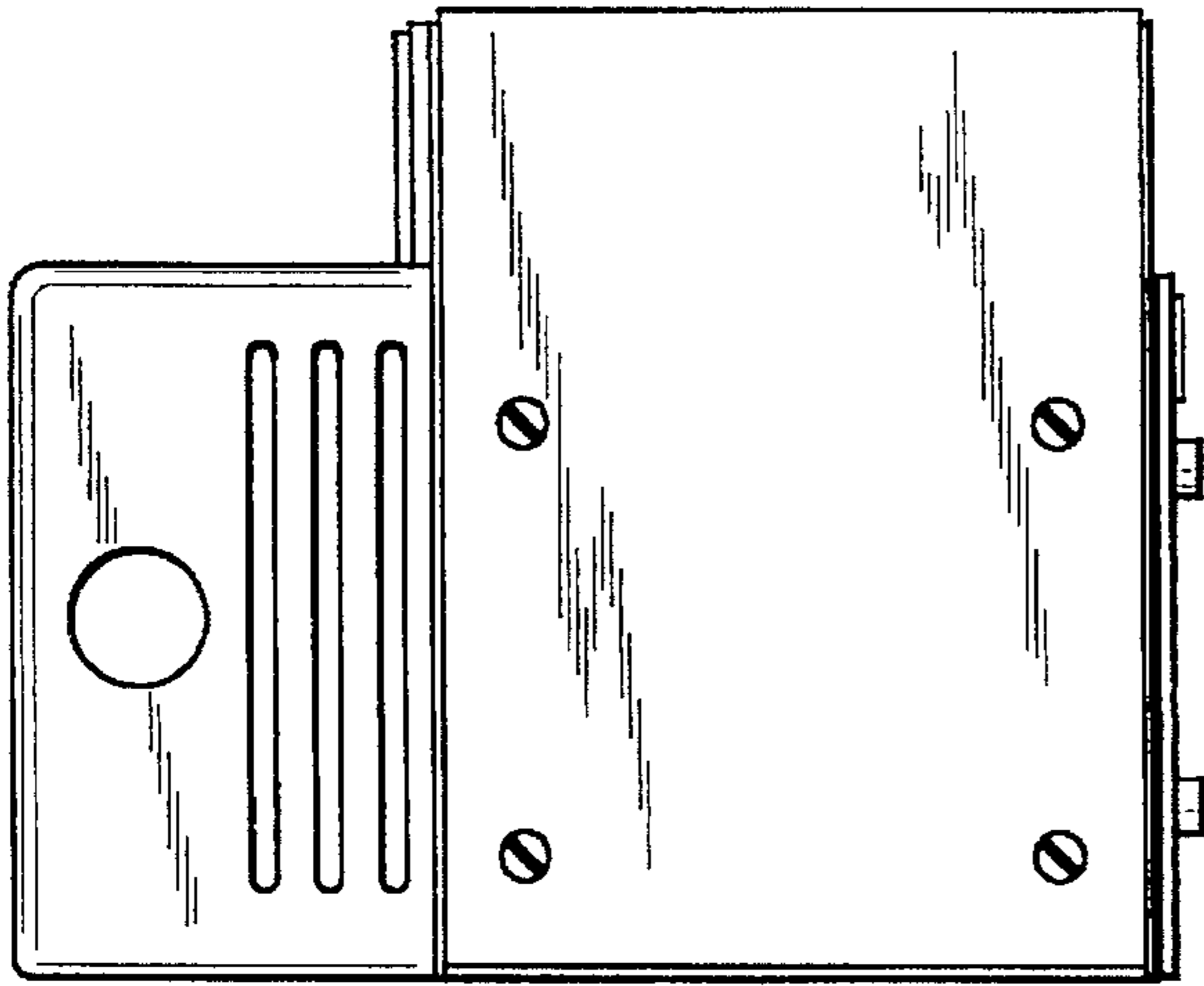


Fig.5

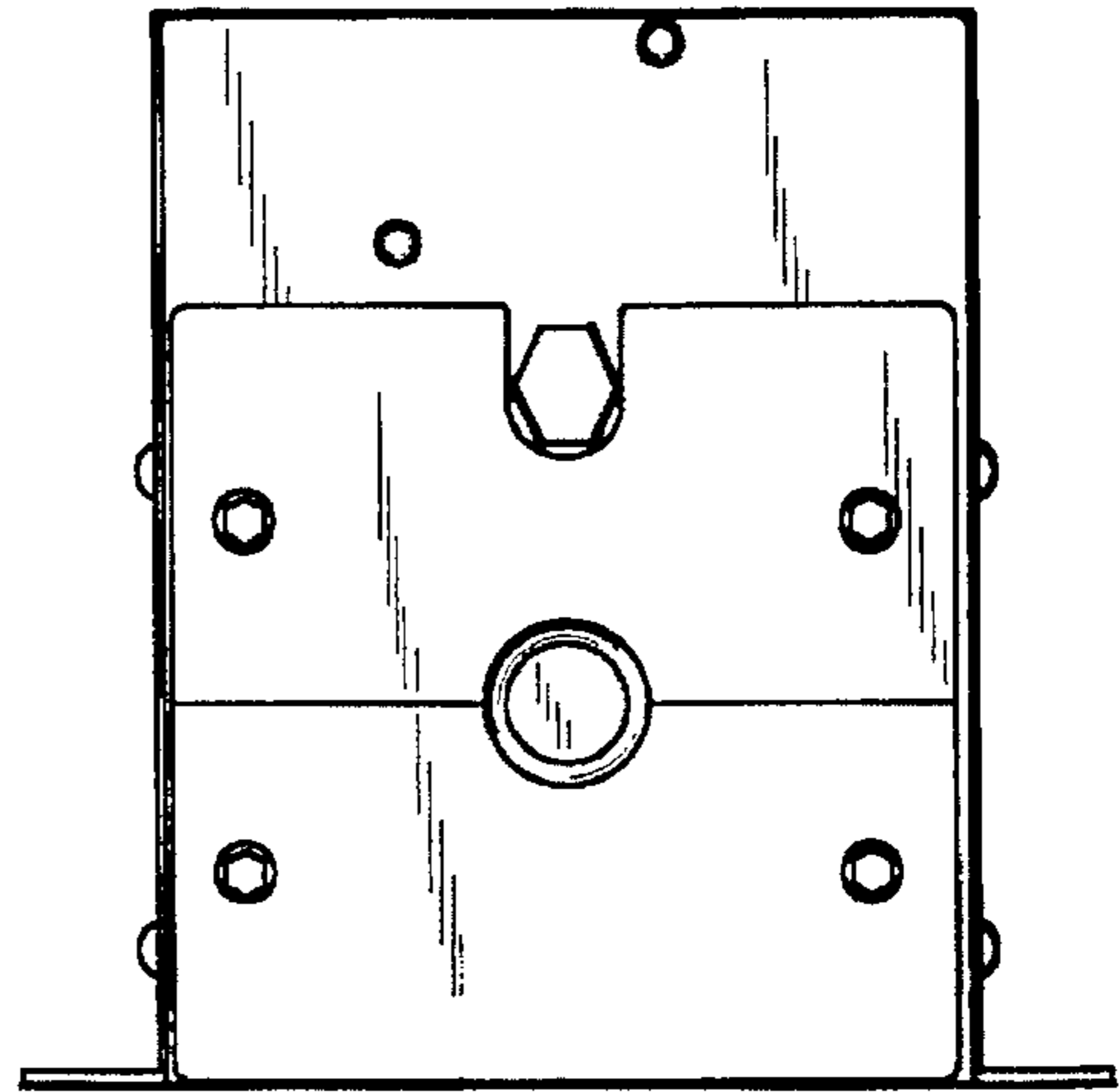


Fig.6

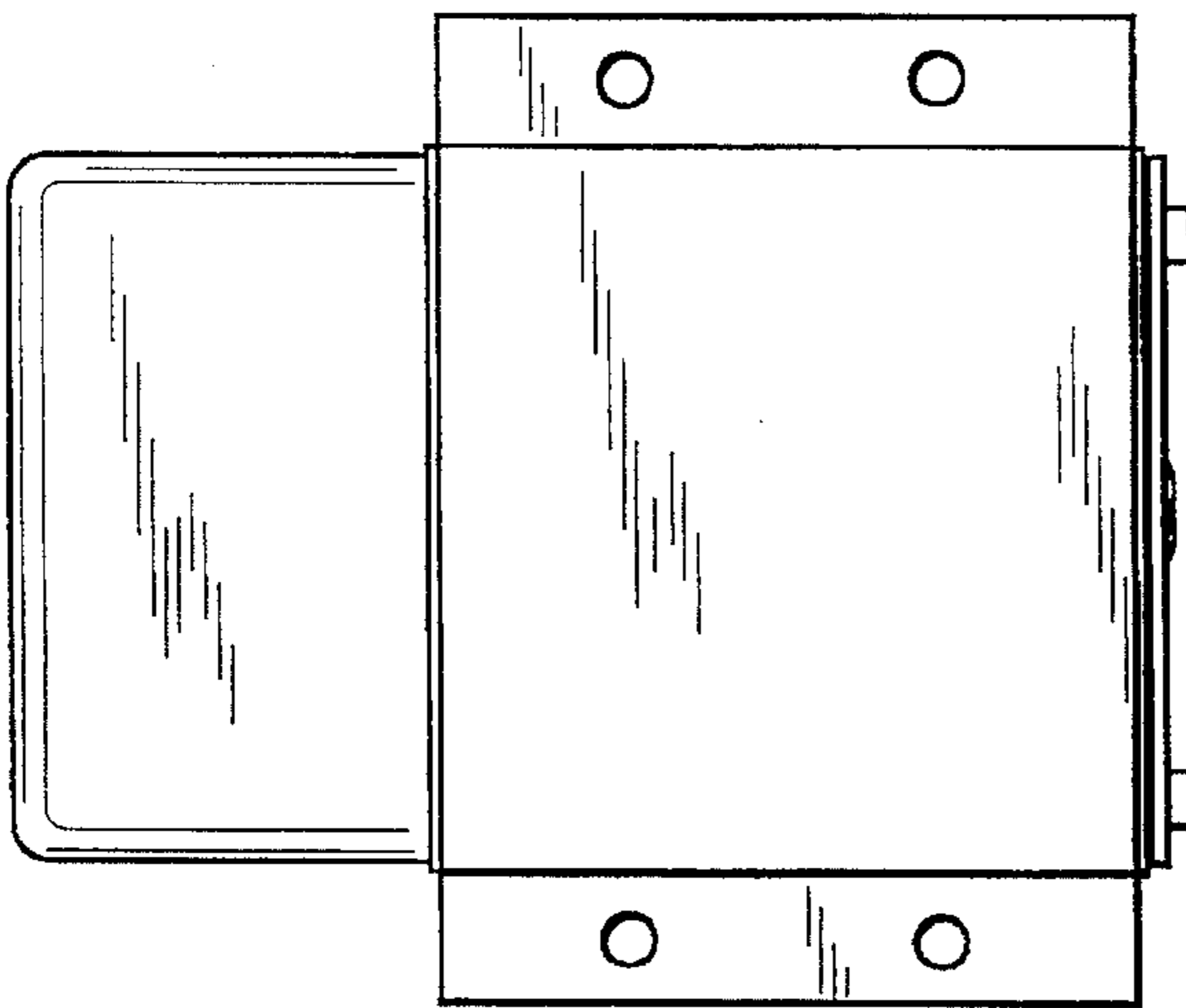


Fig.7