



US00D380478S

# United States Patent [19]

Robbins et al.

[11] Patent Number: **Des. 380,478**

[45] Date of Patent: **\*\*Jul. 1, 1997**

[54] **MULTI-POSITION TROLLING MOTOR HEAD AND HANDLE**

4,129,088 12/1978 Foley, Jr. .... 440/6 X  
5,171,174 12/1992 Mynster ..... 440/7

[75] Inventors: **Jack Robbins**, Derby, Kans.; **William A. Henderson**, Starkville, Miss.

*Primary Examiner*—Doris V. Coles  
*Assistant Examiner*—Frank Martinez  
*Attorney, Agent, or Firm*—Rosenblatt & Redano, P.C.

[73] Assignee: **Brunswick Corporation**, Lake Forest, Ill.

[57] **CLAIM**

[\*\*] Term: **14 Years**

The ornamental design for a multi-position trolling motor head and handle, as shown and described.

[21] Appl. No.: **37,832**

**DESCRIPTION**

[22] Filed: **Apr. 20, 1995**

FIG. 1 is a top view of the multi-position trolling motor head and handle;

[51] LOC (6) Cl. .... **15-01**

FIG. 2 is a bottom view of the multi-position trolling motor head and handle;

[52] U.S. Cl. .... **D15/4**

FIG. 3 is a right view of the multi-position trolling motor head and handle;

[58] Field of Search ..... D15/4, 5; 84/426, 84/721, 746; 440/6, 7, 62; 114/153, 144 E, 145 A

FIG. 4 is a left view of the multi-position trolling motor head and handle;

[56] **References Cited**

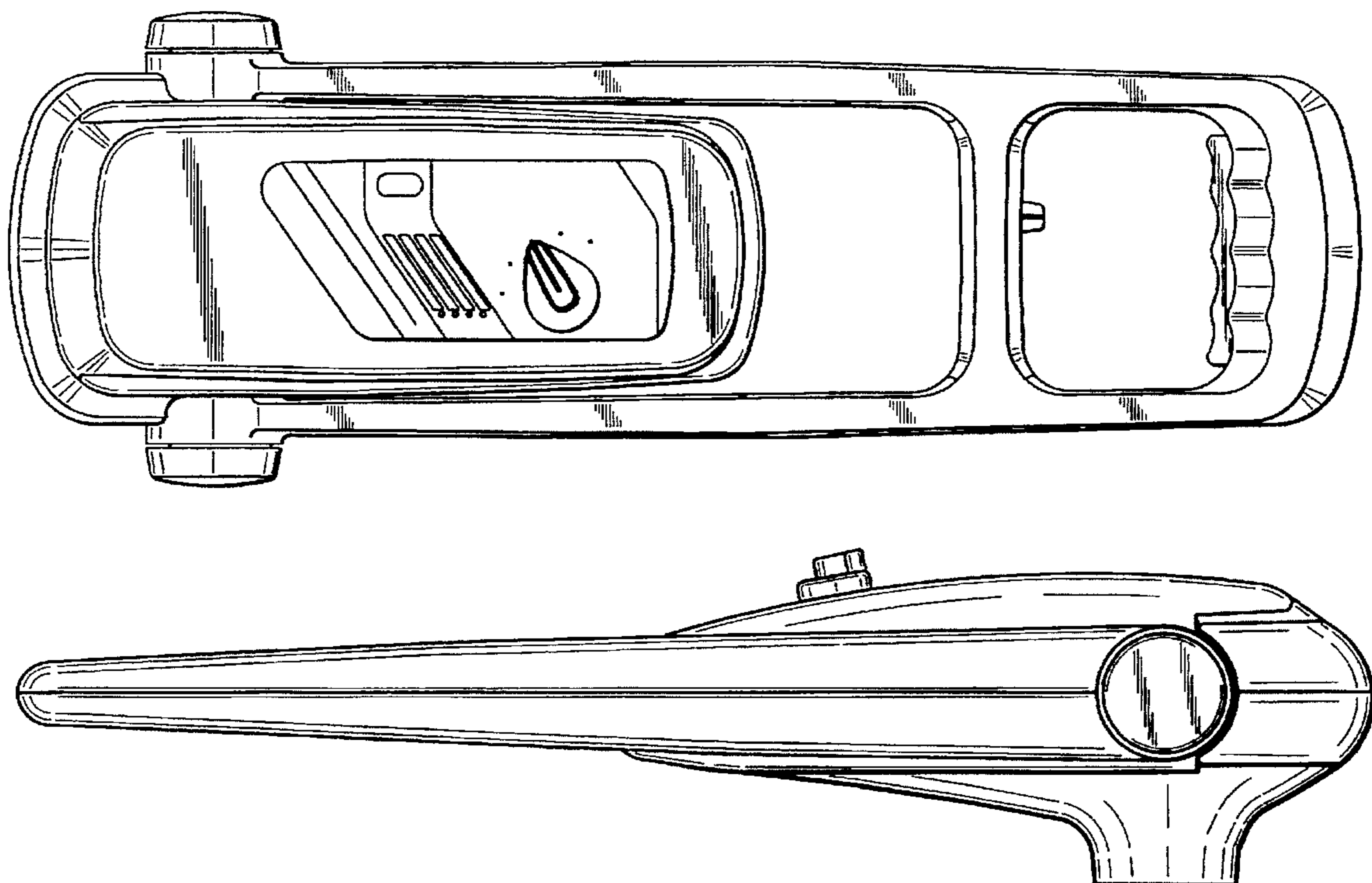
FIG. 5 is a back view of the multi-position trolling motor head and handle; and,

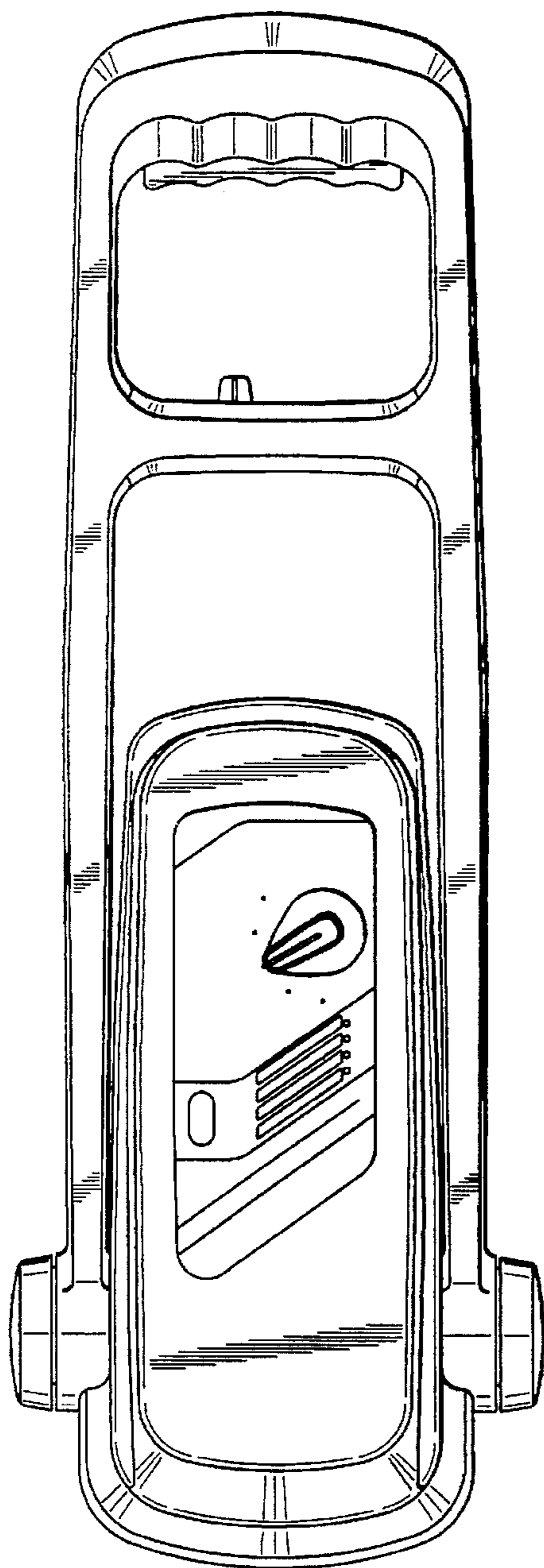
**U.S. PATENT DOCUMENTS**

FIG. 6 is a front view of the multi-position trolling motor head and handle.

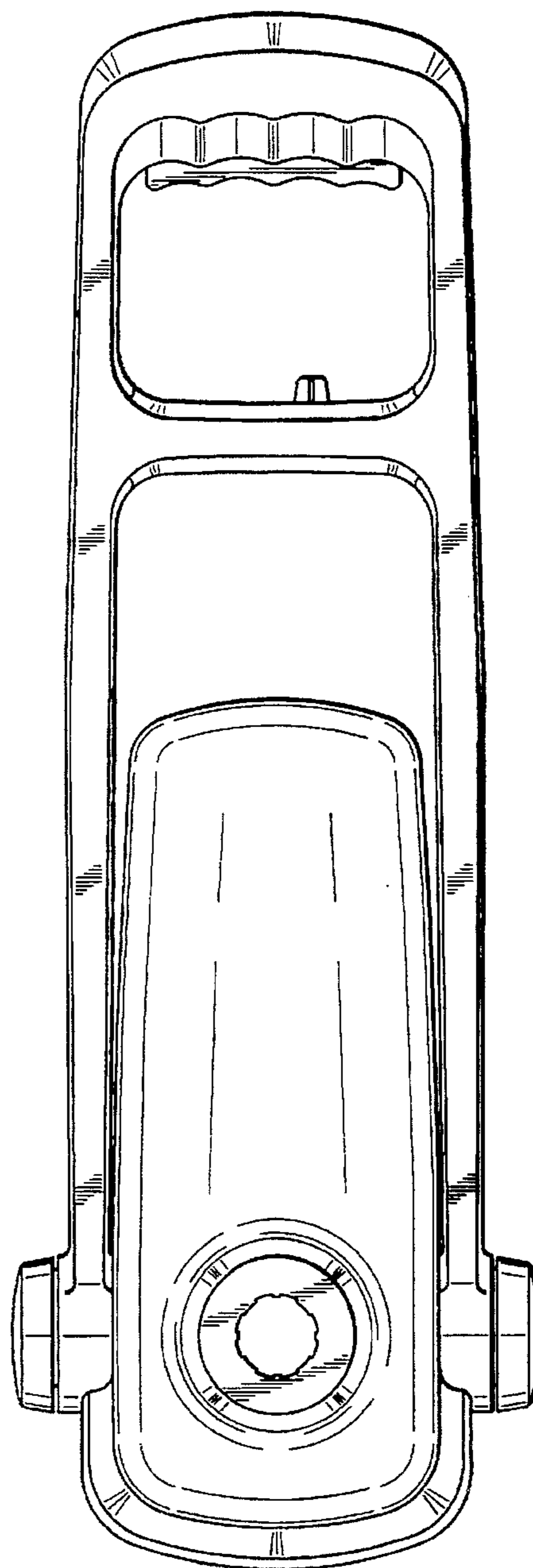
- D. 308,525 6/1990 Robbins ..... D15/4
- D. 312,259 11/1990 Robbins ..... D15/4
- 3,598,947 8/1971 Osborn ..... 440/7 X

**1 Claim, 2 Drawing Sheets**

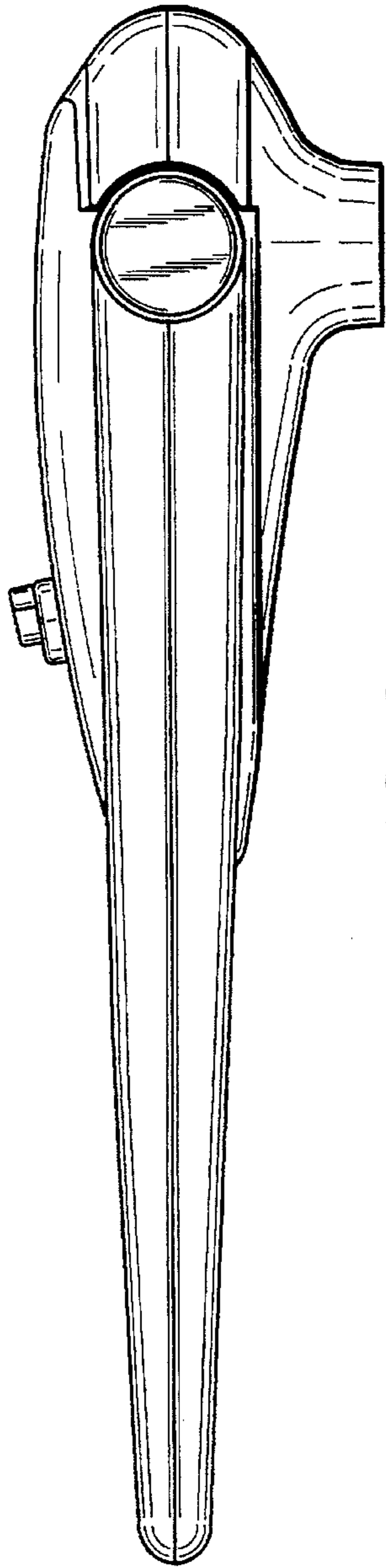




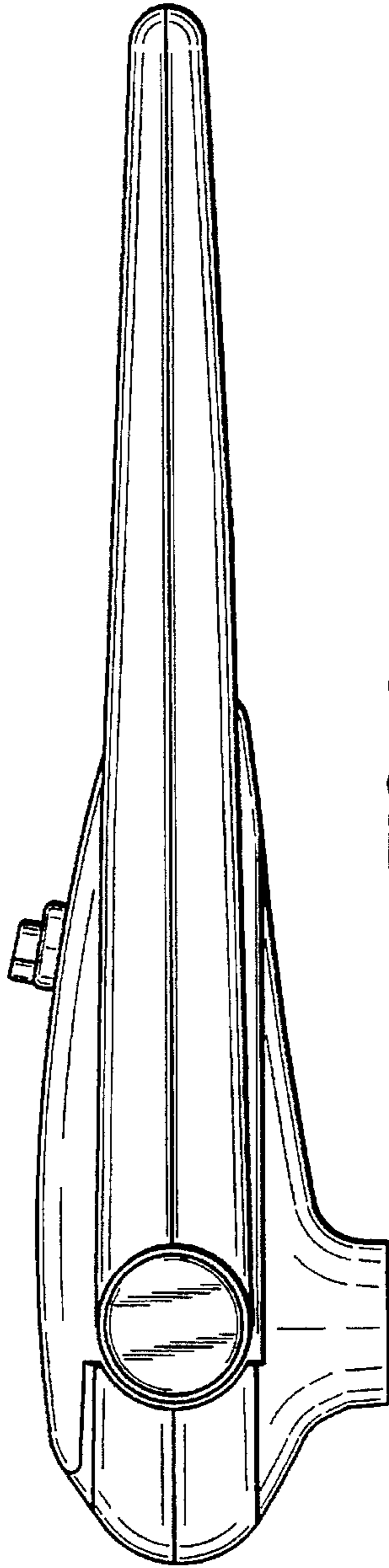
**FIG. 1**



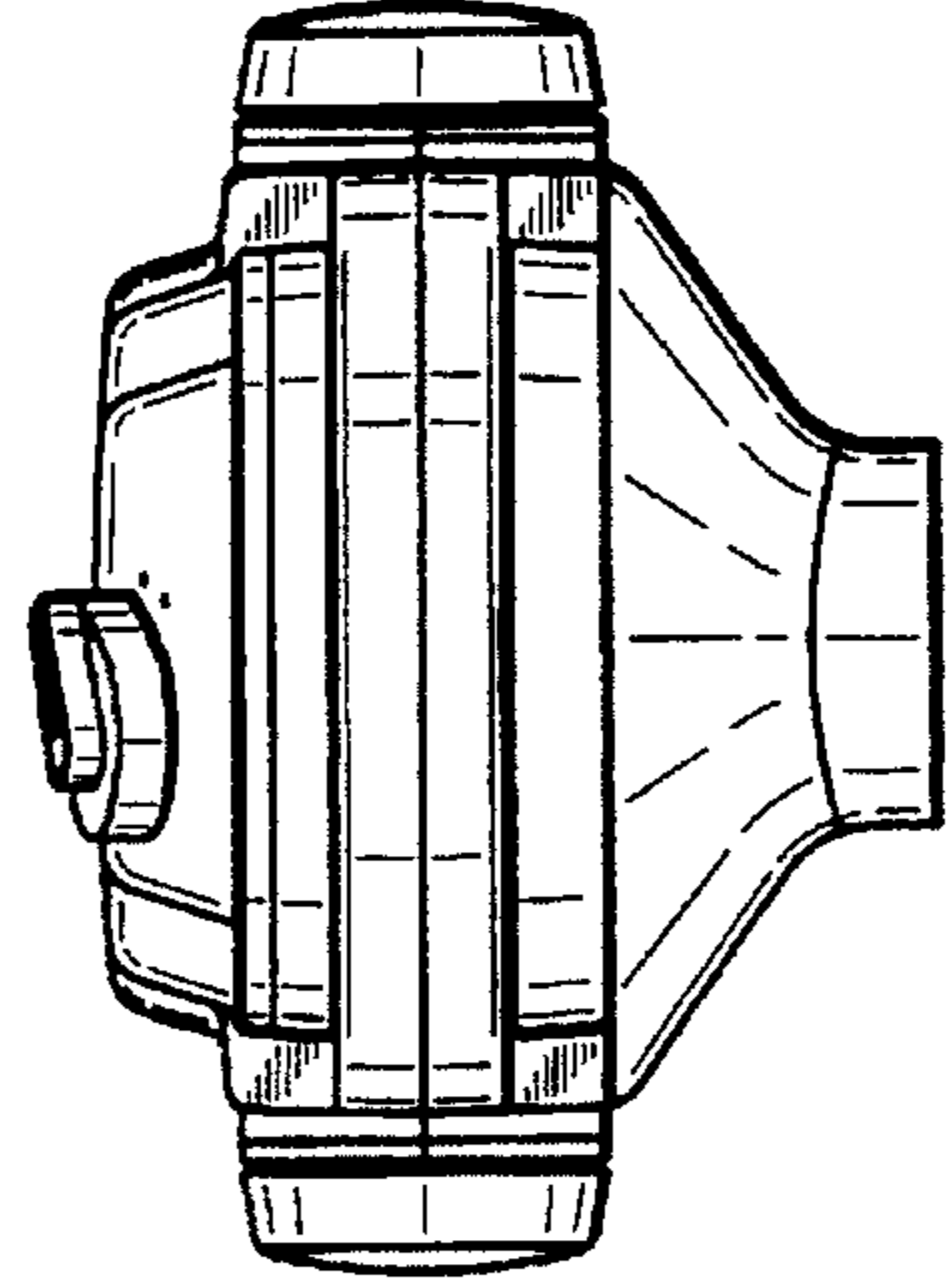
**FIG. 2**



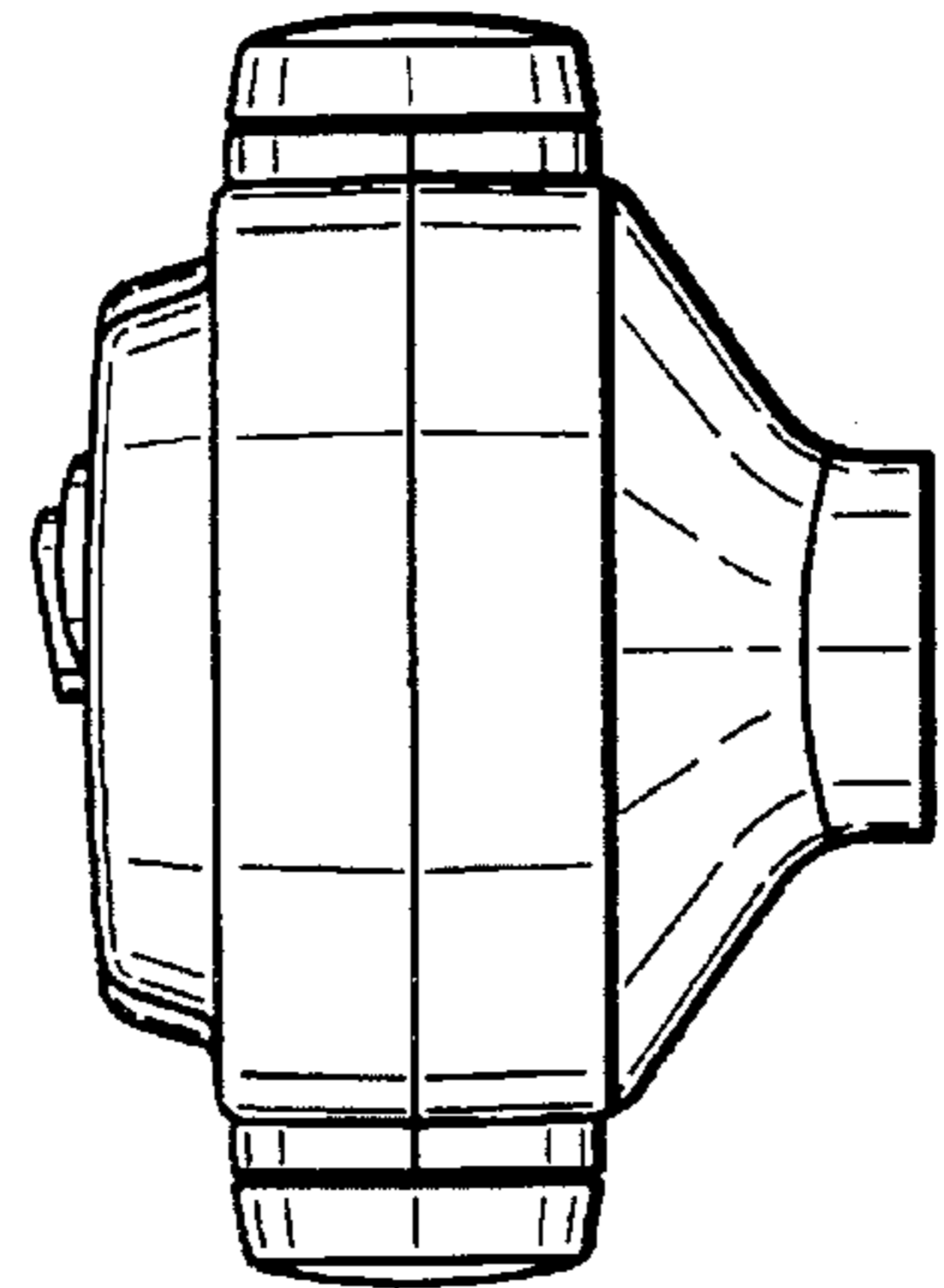
**FIG. 3**



**FIG. 4**



**FIG. 6**



**FIG. 5**