



US00D380476S

United States Patent [19]

Zochert et al.

[11] Patent Number: Des. 380,476

[45] Date of Patent: **Jul. 1, 1997

[54] **RETRACTABLE EARPIECE FOR A COMPACT WIRELESS TELEPHONE**

[75] Inventors: **Carrie L. Zochert; Barry Voroba,** both of Minnetonka; **Daniel E. Kobylarz,** Bloomington, all of Minn.

[73] Assignee: **MicroTalk Technologies, Inc.,** Minnetonka, Minn.

[**] Term: **14 Years**

[21] Appl. No.: **24,753**

[22] Filed: **Jun. 20, 1994**

[51] LOC (6) Cl. **14-03**

[52] U.S. Cl. **D14/249; D14/205; D14/223**

[58] Field of Search **D14/218, 205, D14/206, 223, 224, 249, 248, 240, 140, 147-151; 181/135, 129, 215; 379/430, 444; 381/187, 183**

[56] **References Cited**

U.S. PATENT DOCUMENTS

| | | | |
|------------|---------|-------------------------|----------|
| D. 210,462 | 3/1968 | Roberts et al. | D26/14 |
| D. 249,508 | 9/1978 | Coughlin | D14/223 |
| D. 273,307 | 4/1984 | Yamagami | D18/7 |
| D. 293,097 | 12/1987 | Alligood et al. | D13/8 |
| D. 293,671 | 1/1988 | Beaumont | D14/68 |
| D. 297,946 | 10/1988 | Kuo | D18/7 |
| D. 309,306 | 7/1990 | Weiser et al. | D14/249 |
| D. 310,523 | 9/1990 | Hino et al. . | |
| D. 313,243 | 12/1990 | Chimalamarri | D18/7 |
| D. 318,865 | 8/1991 | Ichikawa | D14/205 |
| D. 326,450 | 5/1992 | Watanabe | D14/138 |
| D. 333,560 | 3/1993 | Miyashita et al. | D3/218 X |
| D. 334,043 | 3/1993 | Taniguchi et al. | D14/205 |
| D. 340,932 | 11/1993 | Yan | D14/249 |
| D. 352,706 | 11/1994 | Hong | D14/137 |
| D. 353,379 | 12/1994 | Nakamura et al. | D14/223 |
| 2,478,887 | 8/1949 | Nelson | 136/173 |
| 3,032,651 | 5/1962 | Gisiger-Stahli et al. . | |
| 3,984,645 | 10/1976 | Kresch . | |
| 4,342,105 | 7/1982 | Dorfman . | |
| 4,435,088 | 3/1984 | Dorfman . | |
| 4,471,493 | 9/1984 | Schober . | |

| | | | |
|-----------|---------|-----------------------|-----------|
| 4,586,827 | 5/1986 | Hirsch et al. . | |
| 4,646,872 | 3/1987 | Kamon et al. | 181/129 |
| 4,754,285 | 6/1988 | Robitaille . | |
| 4,800,543 | 1/1989 | Lyndon-James et al. . | |
| 4,847,818 | 7/1989 | Olsen . | |
| 4,885,728 | 12/1989 | Gosselin | 368/10 |
| 4,930,148 | 5/1990 | Lee . | |
| 4,942,617 | 7/1990 | Boylan | 381/187 X |
| 4,969,180 | 11/1990 | Watterson et al. . | |
| 5,008,864 | 4/1991 | Yoshitake . | |
| 5,048,092 | 9/1991 | Yamagishi et al. | 381/187 |
| 5,054,051 | 10/1991 | Hoff . | |
| 5,113,428 | 5/1992 | Fitzgerald . | |
| 5,214,623 | 5/1993 | Saeger | 368/10 |
| 5,218,577 | 6/1993 | Saeger | 368/10 |
| 5,224,076 | 6/1993 | Thorp | 368/10 |
| 5,239,521 | 8/1993 | Blonder . | |
| 5,251,189 | 10/1993 | Thorp | 368/4 |
| 5,260,915 | 11/1993 | Houlihan | 368/10 |
| 5,274,613 | 12/1993 | Saeger | 368/13 |

FOREIGN PATENT DOCUMENTS

1132201 6/1962 Germany .

OTHER PUBLICATIONS

Panasonic-Technics Show Update article, dated Jun. 1993. 2 pages.

Primary Examiner—Jeffrey Asch

Attorney, Agent, or Firm—Muetting, Raasch, Gebhardt & Schwappach, P.A.

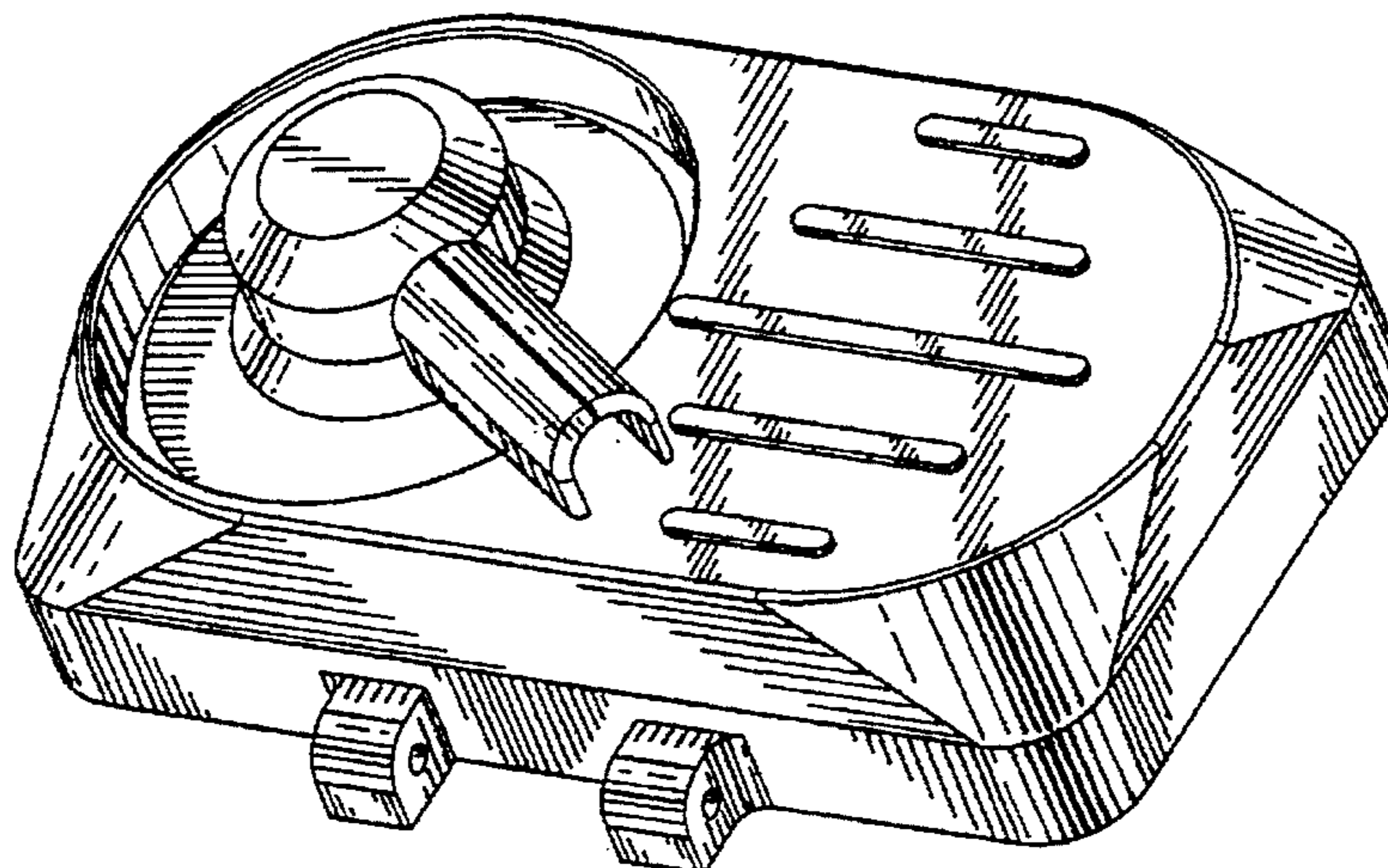
[57] **CLAIM**

The ornamental design for retractable earpiece for a compact wireless telephone, as shown and described.

DESCRIPTION

FIG. 1 is a view in perspective of the retractable earpiece for a compact wireless telephone showing our new design; FIG. 2 is a top plan view; FIG. 3 is a bottom plan view; FIG. 4 is a front elevation view; FIG. 5 is a rear elevation view; FIG. 6 is a side elevation showing the left side; and, FIG. 7 is a side elevation view showing the right side.

1 Claim, 7 Drawing Sheets



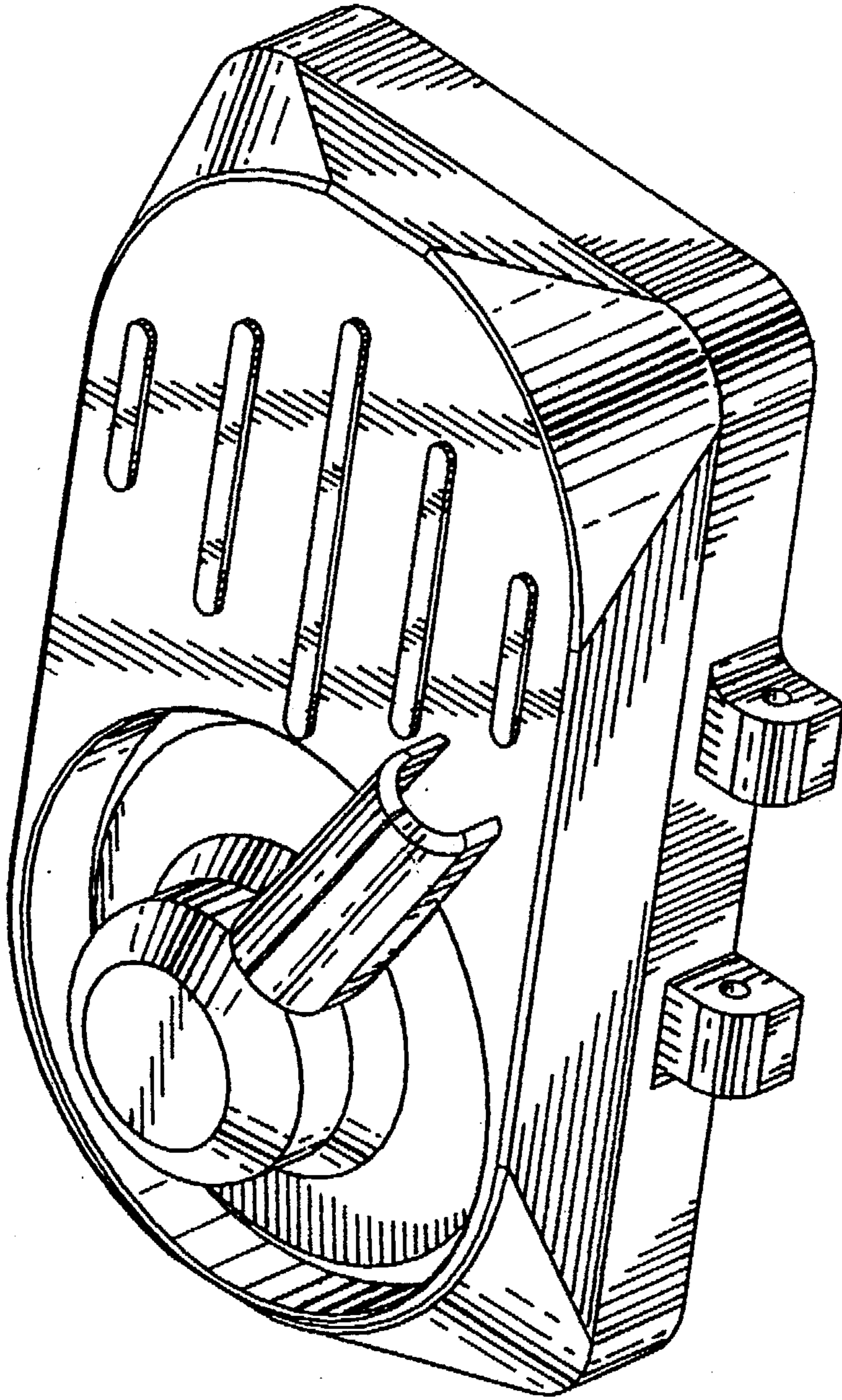


FIG. 1

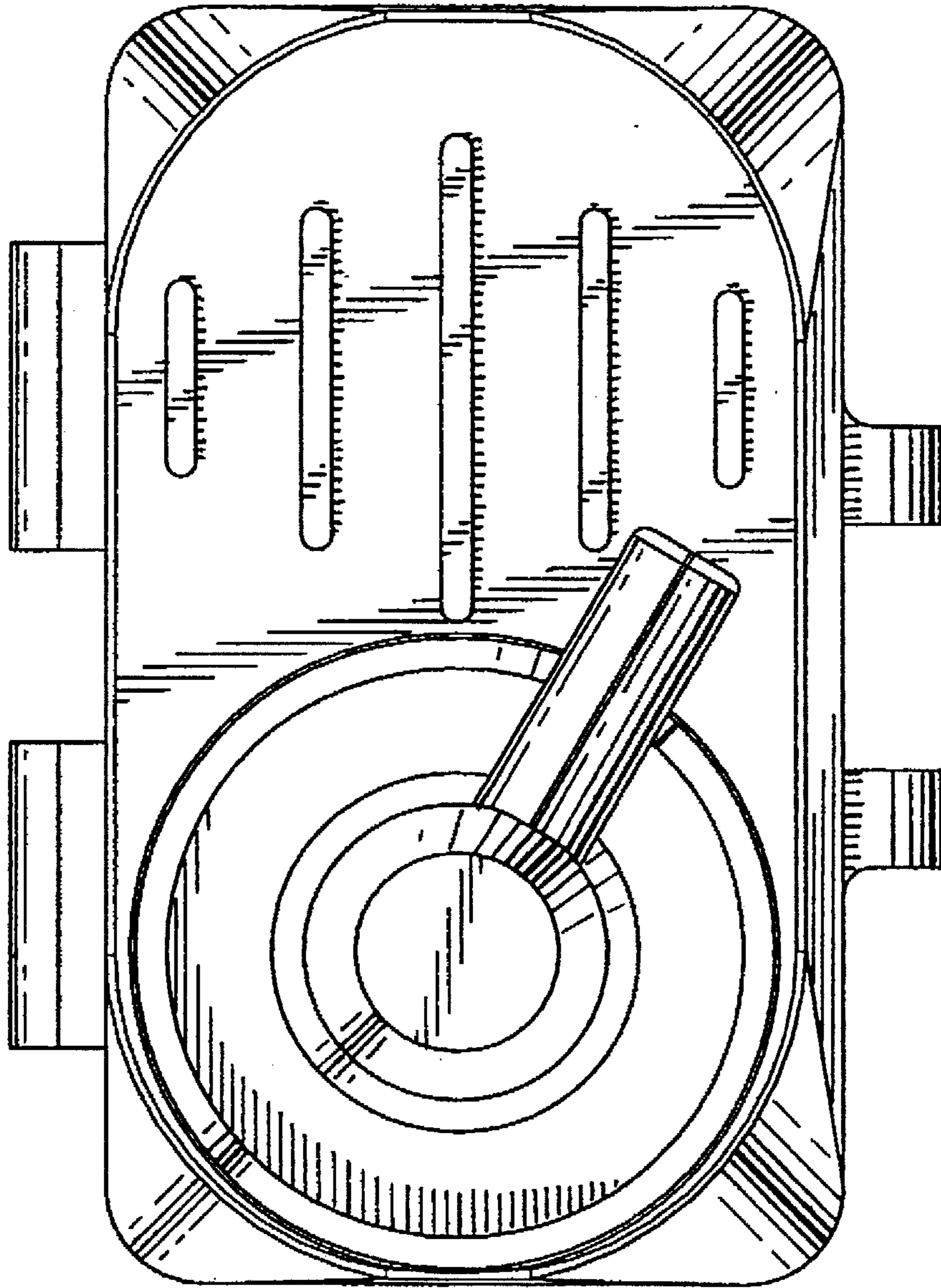


FIG. 2

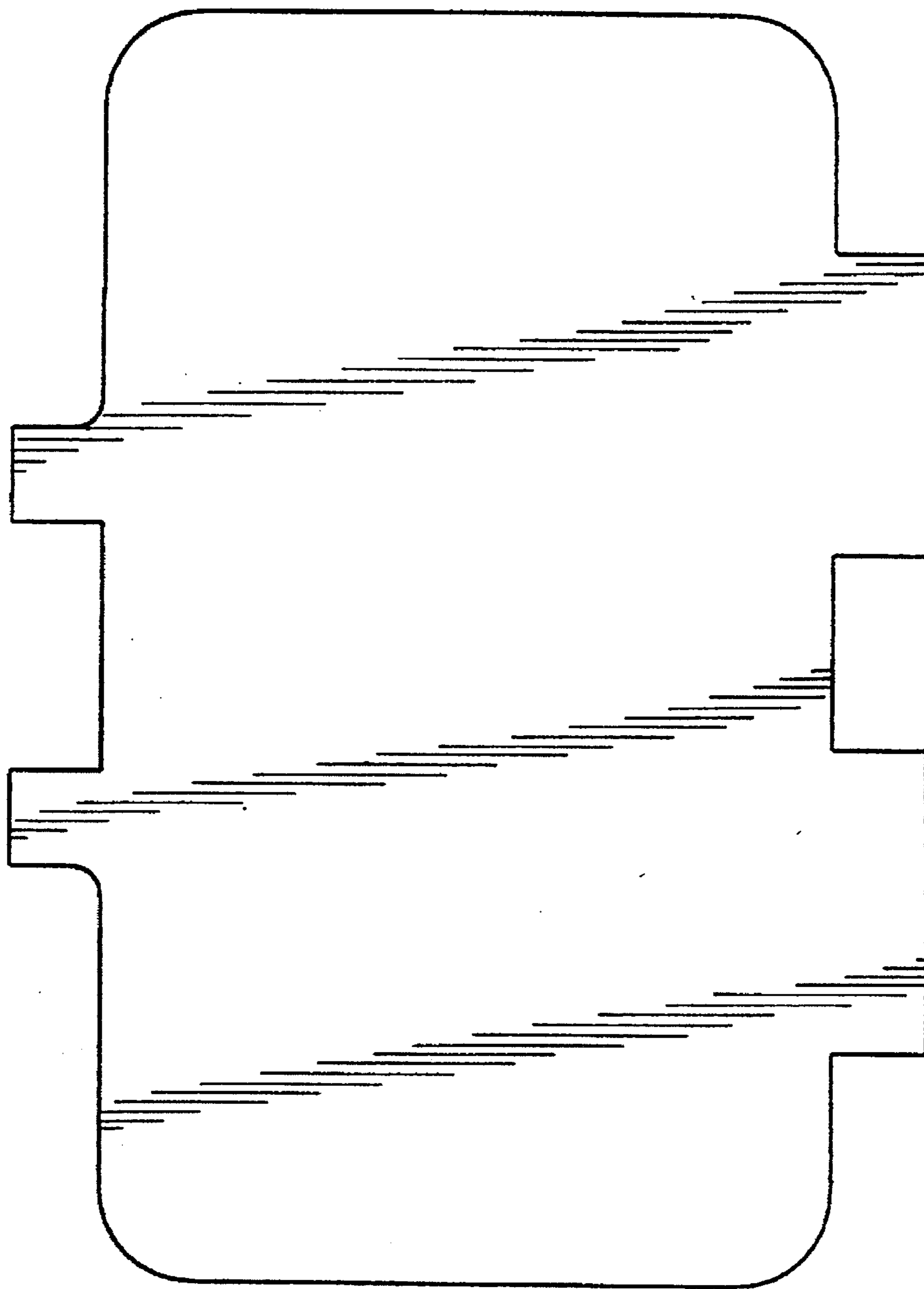


FIG. 3

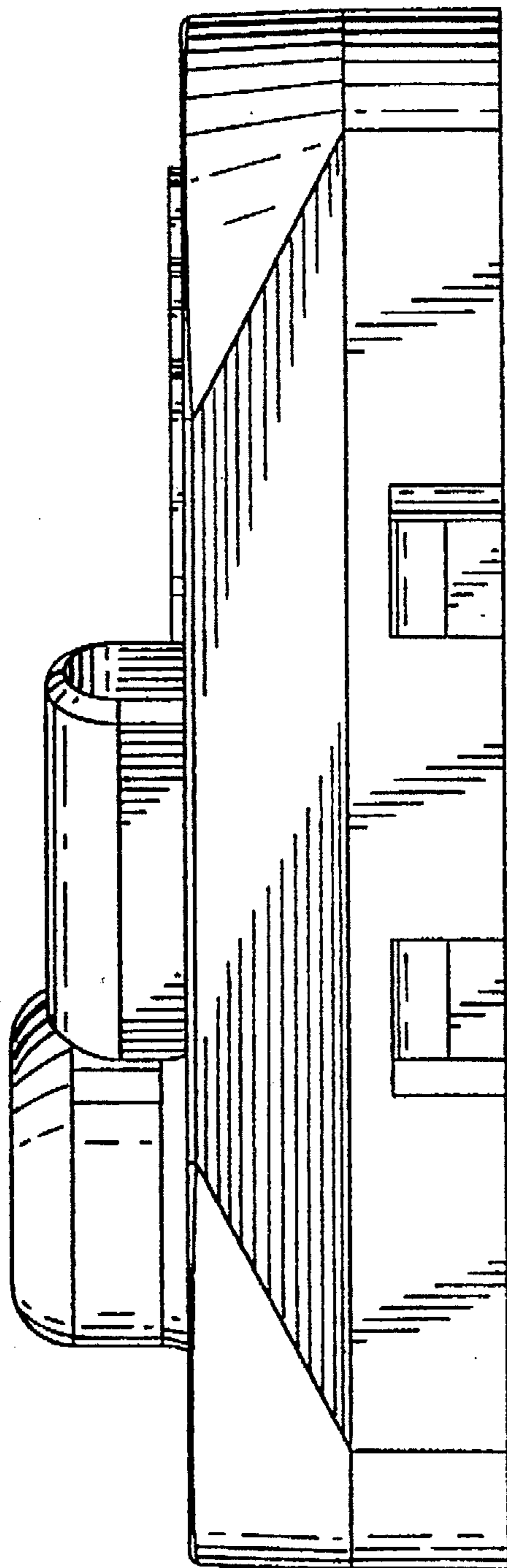


FIG. 4

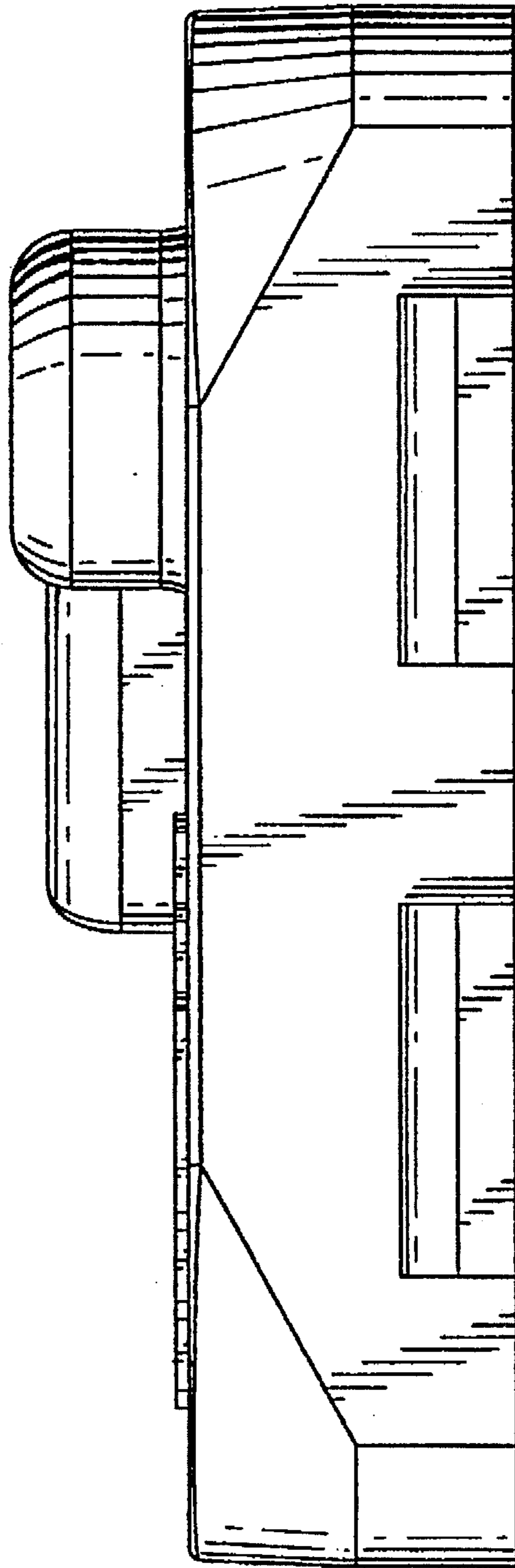


FIG. 5

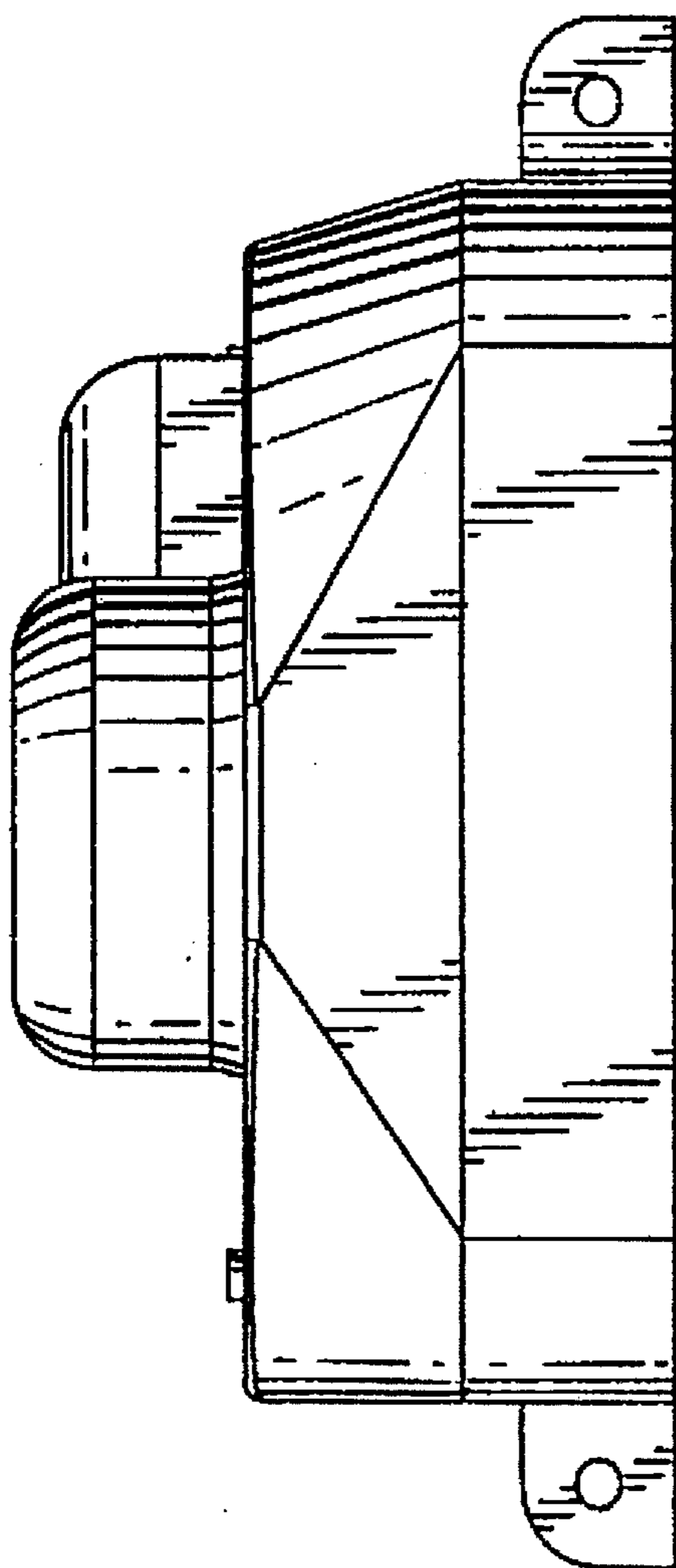


FIG. 6

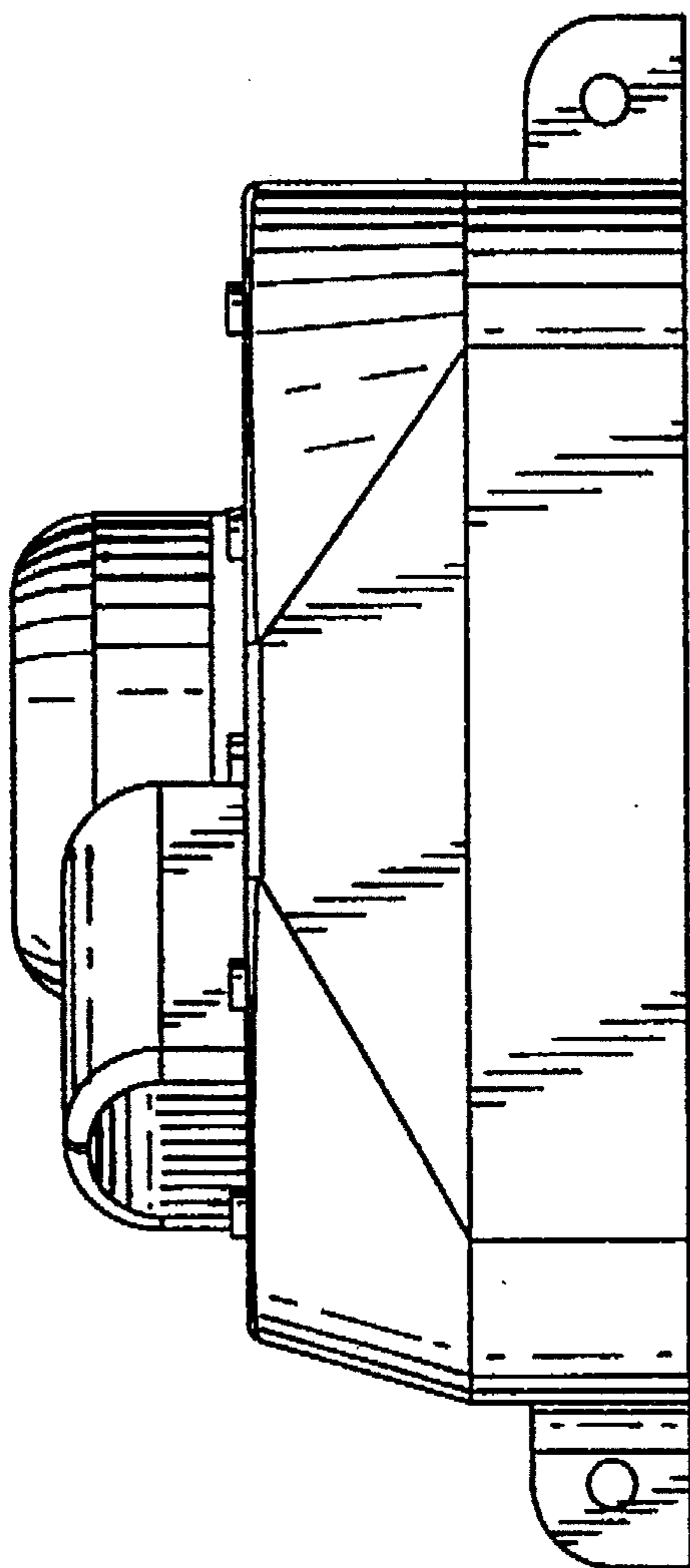


FIG. 7