



US00D380474S

United States Patent [19]

[11] Patent Number: **Des. 380,474**

Pietrangelo et al.

[45] Date of Patent: ****Jul. 1, 1997**

[54] **ANTENNA SUPPORT ARM ASSEMBLY**

3,414,904 12/1968 Ajioka 343/781 R
3,653,055 3/1972 Wu et al. 343/781 R

[75] Inventors: **Gregory J. Pietrangelo**, Monrovia;
Michael B. Middeke, Jefferson, both of
Md.; **Steven B. Cook**, Oceanside,
Calif.; **Derek Charles Cunningham**,
Lichfield, England

Primary Examiner—Dominic Simone
Attorney, Agent, or Firm—John Whelan; Wanda K. Denson-
Low

[73] Assignee: **Hughes Electronics and Moulded
Plastics (Birmingham) Ltd.**, Los
Angeles, Calif.

[57] **CLAIM**

The ornamental design for an antenna support arm assembly,
as shown and described.

[**] Term: **14 Years**

DESCRIPTION

[21] Appl. No.: **50,884**

FIG. 1 is a perspective view of an antenna support arm
assembly showing our new design, the antenna shown in
broken lines for illustrative purposes only and forms no part
of the claim;

[22] Filed: **Feb. 29, 1996**

[51] LOC (6) Cl. **14-01**

[52] U.S. Cl. **D14/231; D14/238**

[58] Field of Search D14/230, 231,
D14/238; 373/720, 761, 781 R, 907-909

FIG. 2 is an enlarged left side elevational view thereof;

FIG. 3 is a bottom plan view of FIG. 2;

FIG. 4 is a top plan view of FIG. 2;

FIG. 5 is a right side elevational view of FIG. 2;

FIG. 6 is a rear elevational view of FIG. 2, and,

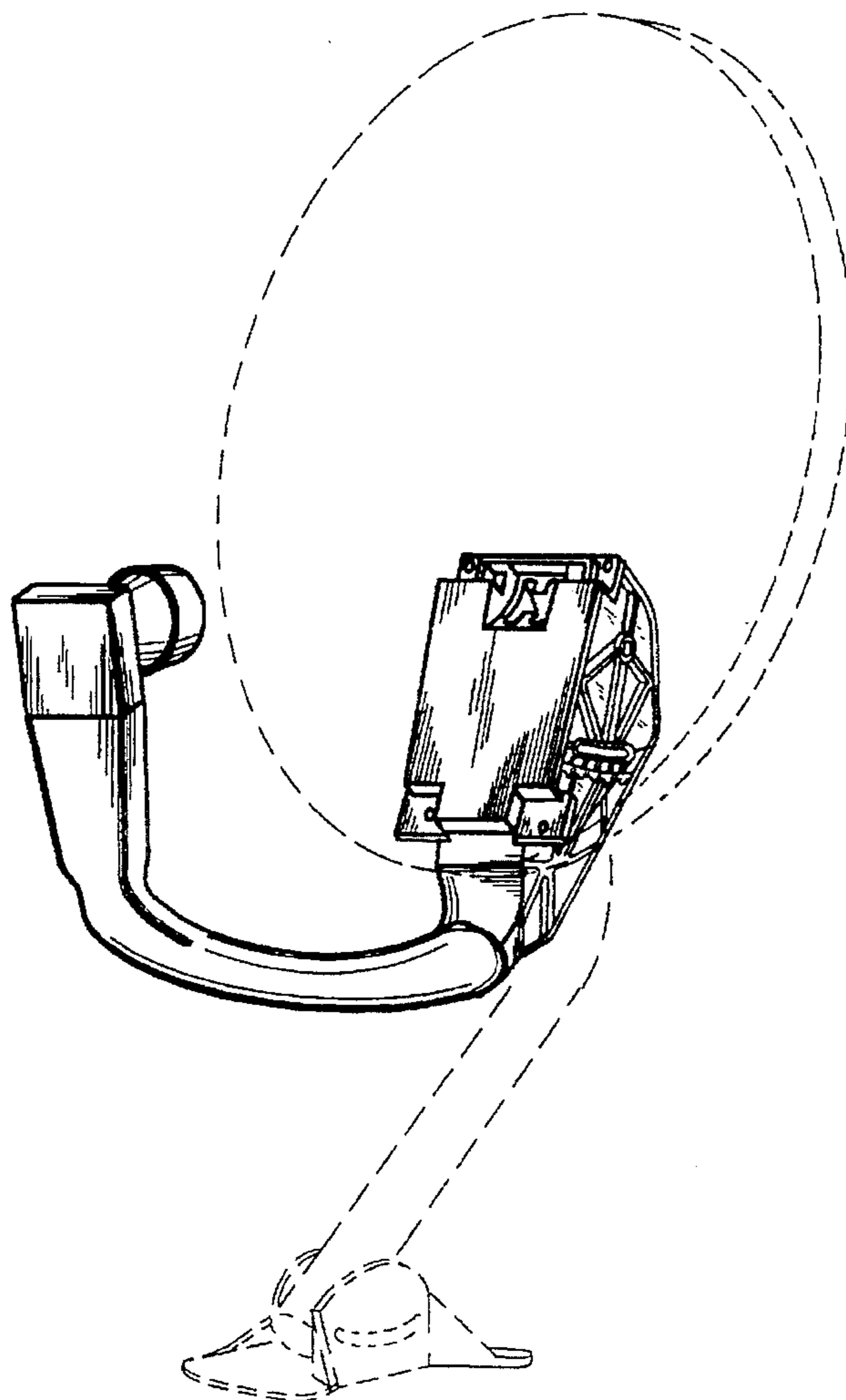
FIG. 7 is a front elevational view of FIG. 2.

[56] **References Cited**

U.S. PATENT DOCUMENTS

D. 362,444 9/1995 Schneeman D14/231

1 Claim, 2 Drawing Sheets



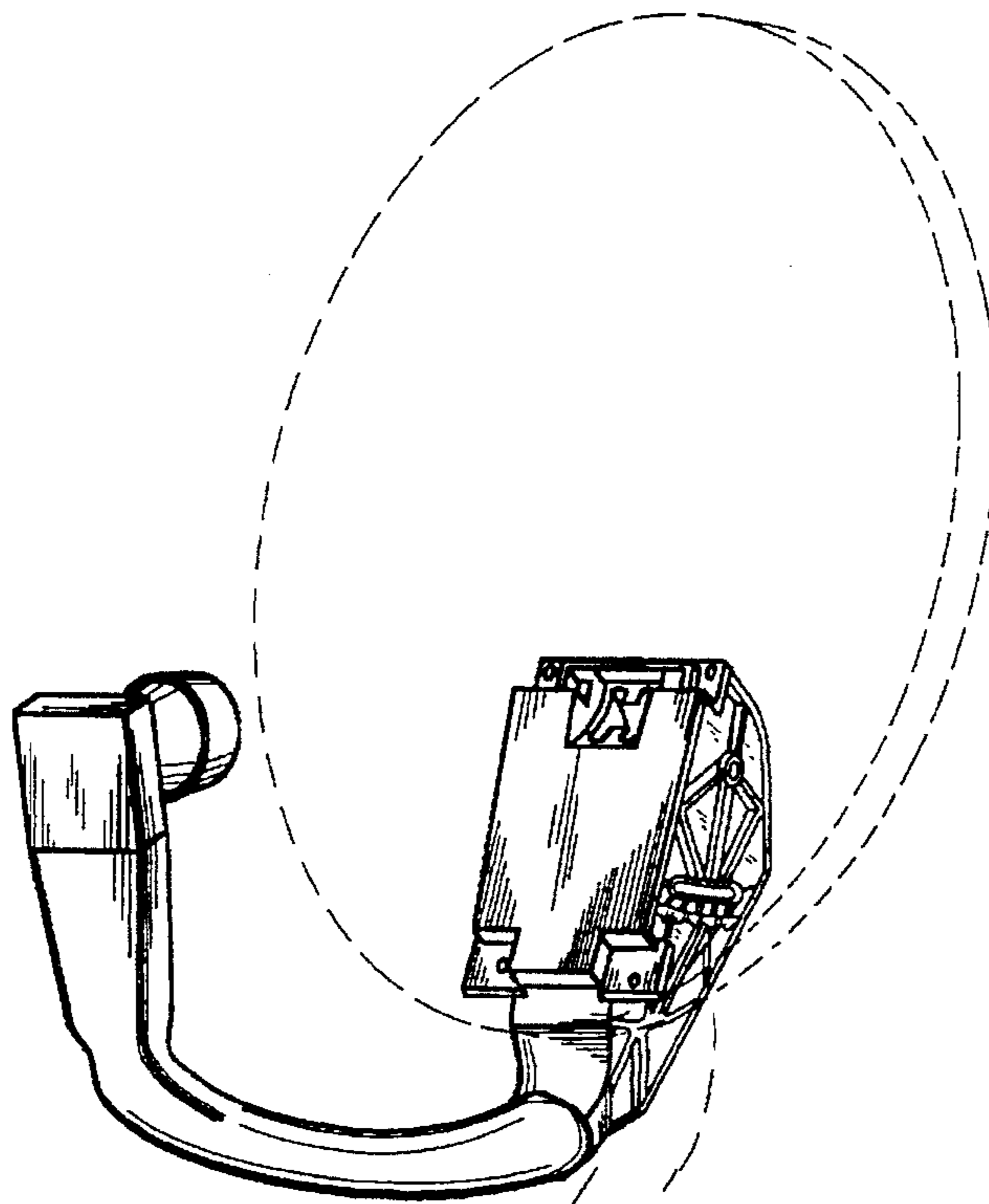


FIG. 1.

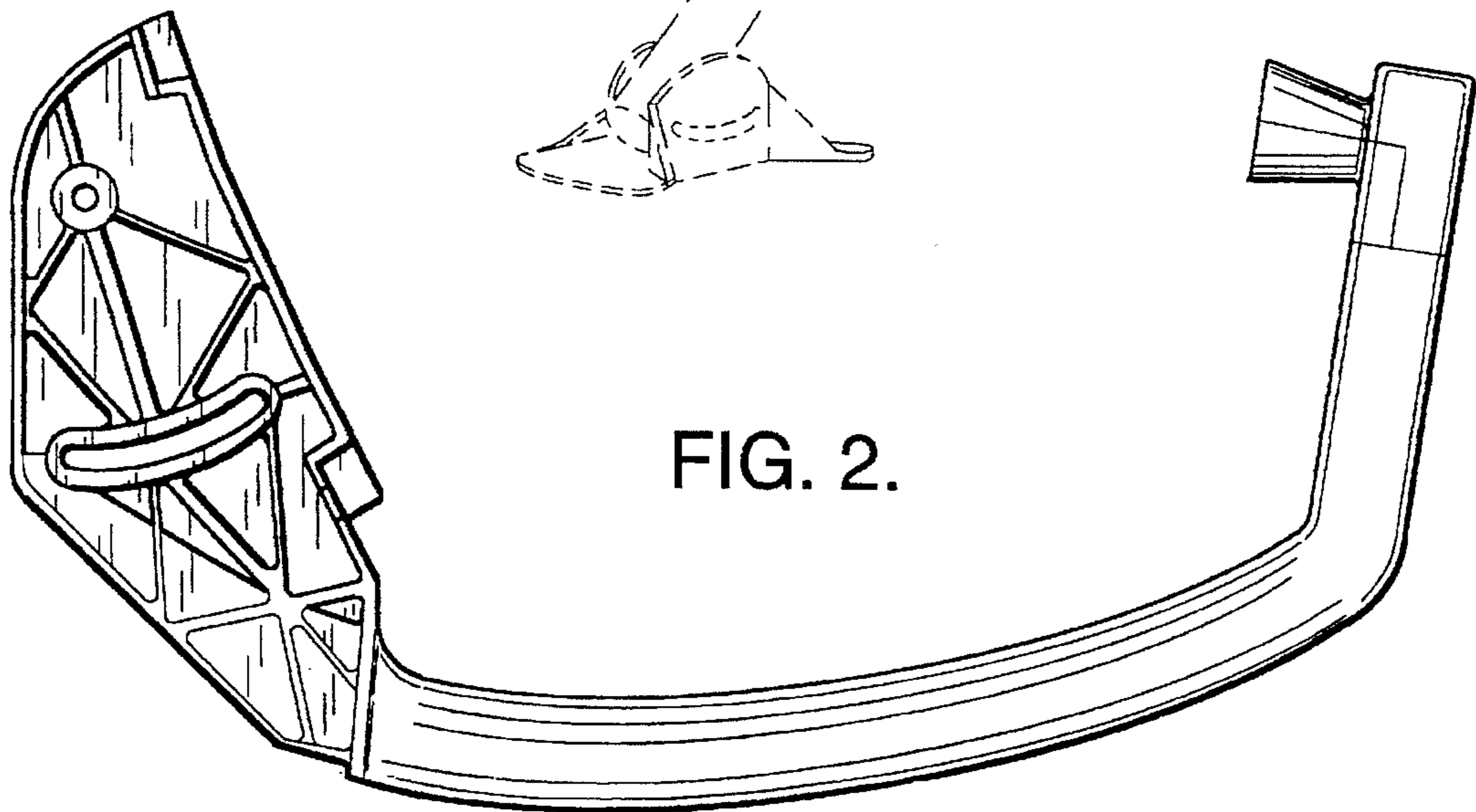


FIG. 2.

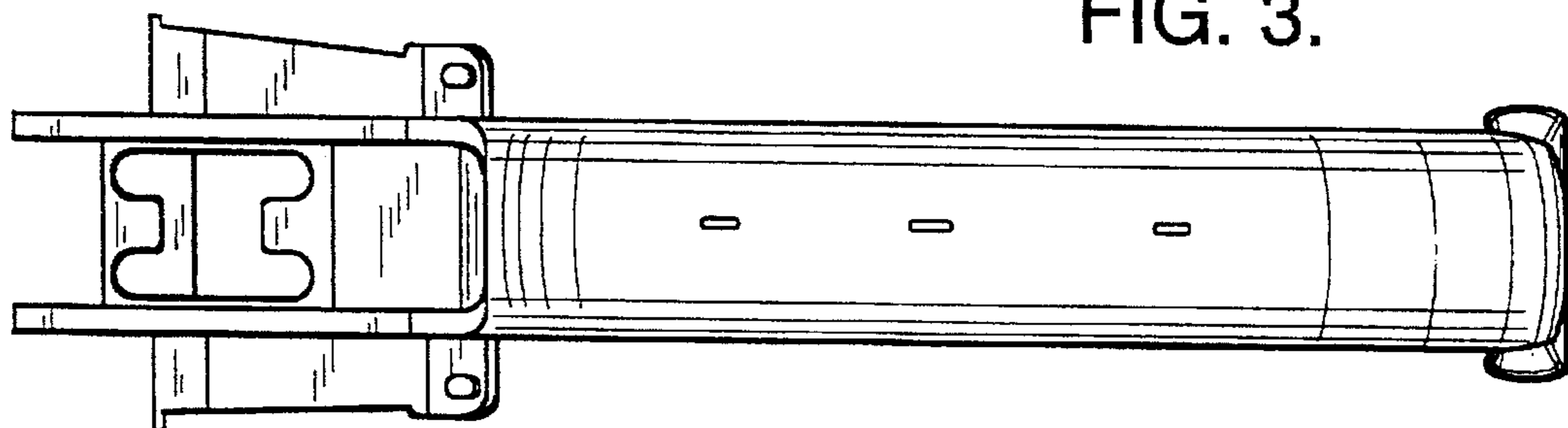


FIG. 3.

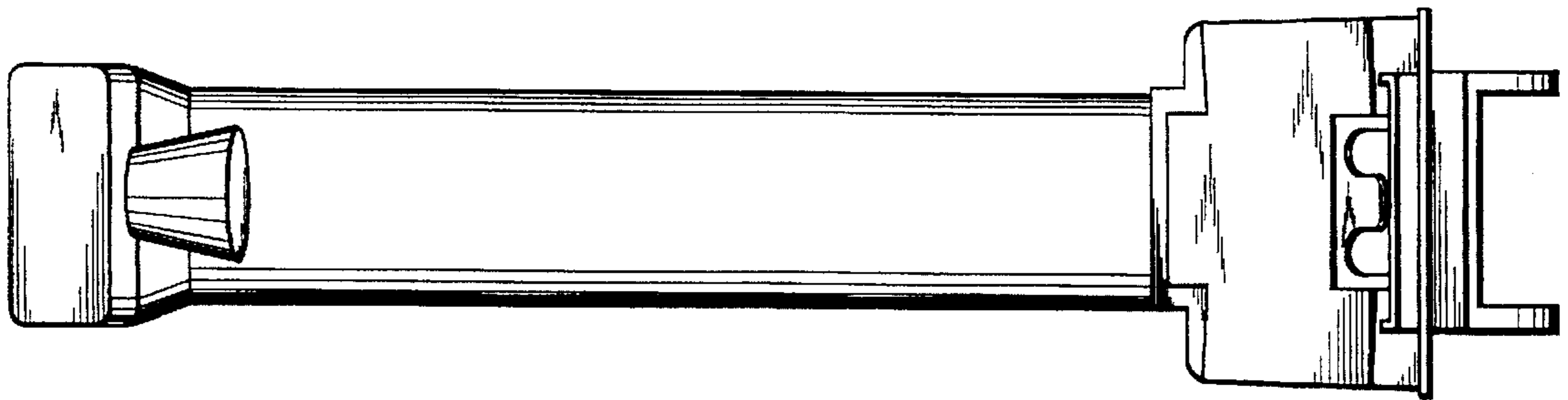


FIG. 4.

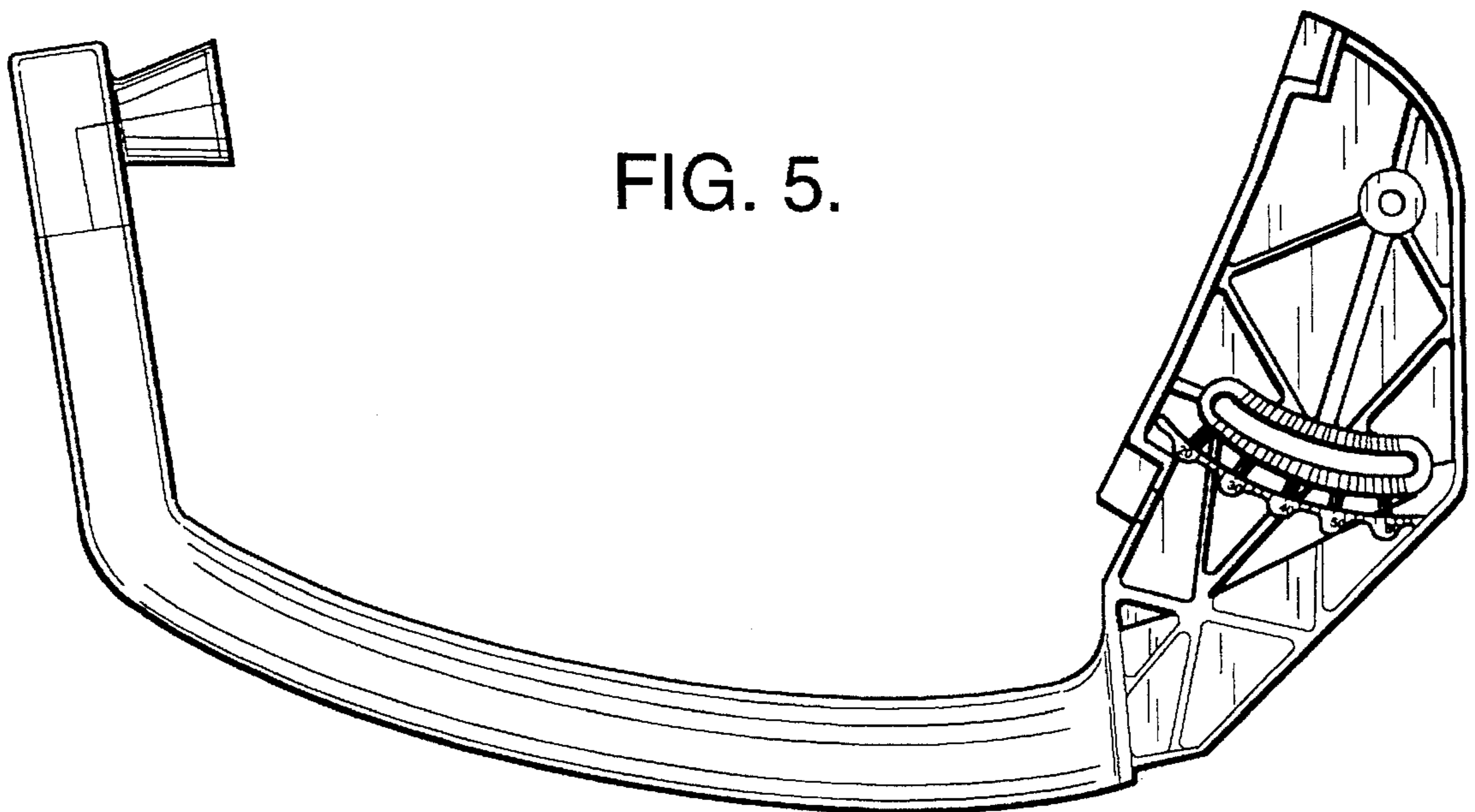


FIG. 5.

FIG. 6.

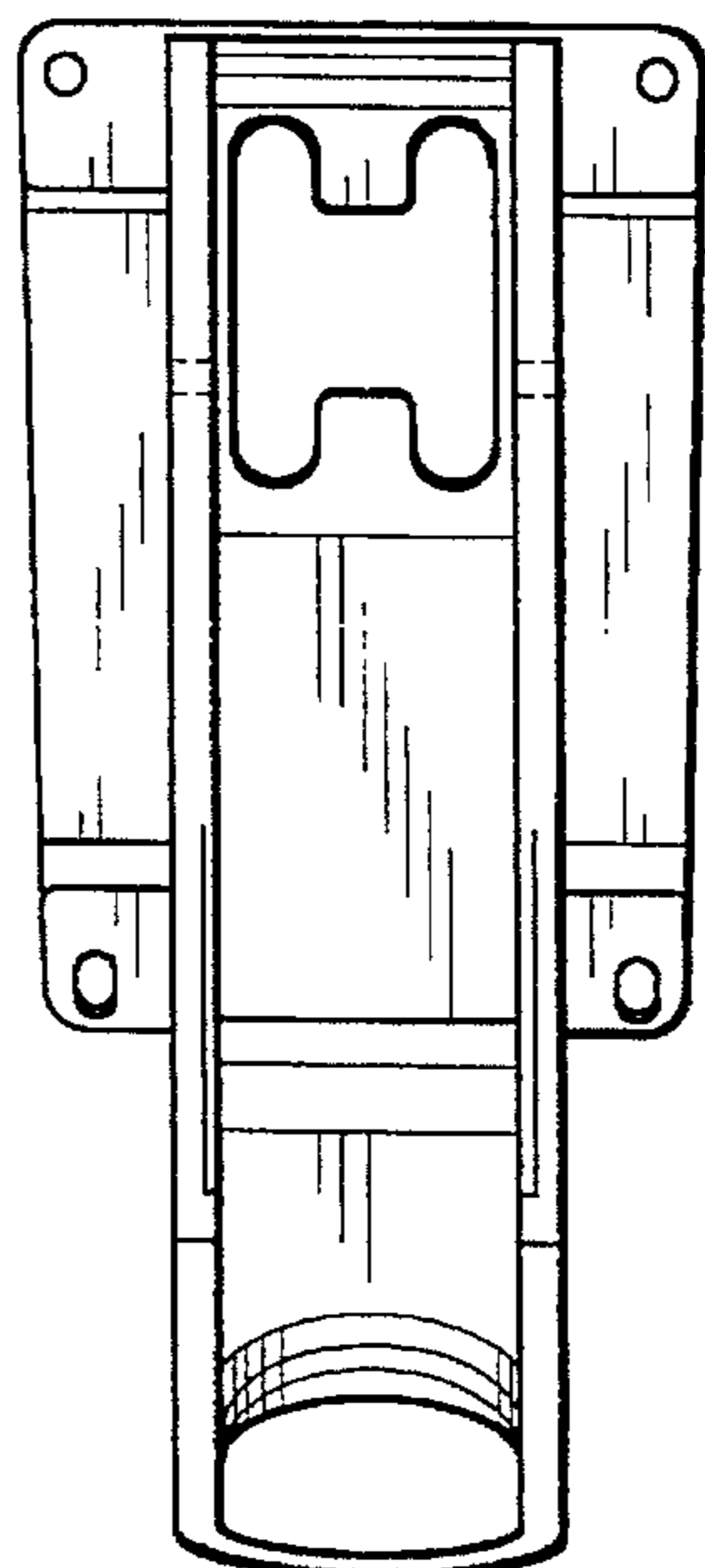


FIG. 7.

