



US00D380472S

# United States Patent [19] Mak

[11] Patent Number: **Des. 380,472**

[45] Date of Patent: **\*\*Jul. 1, 1997**

[54] **RADIO**

[75] Inventor: **Ronnie Chi Wah Mak**, Kowloon,  
Hong Kong

[73] Assignee: **Sanny Electronics Limited**, Kowloon,  
Hong Kong

[\*\*] Term: **14 Years**

[21] Appl. No.: **52,945**

[22] Filed: **Apr. 10, 1996**

[51] LOC (6) Cl. .... **14-03**

[52] U.S. Cl. .... **D14/195; D14/197**

[58] Field of Search ..... D14/168, 170,  
D14/171, 188, 189, 193-198, 265, 299;  
455/344, 347, 350, 351

[56] **References Cited**

**U.S. PATENT DOCUMENTS**

- D. 224,156 7/1972 Hunter ..... D14/195
- D. 313,021 12/1990 Ehrmann ..... D14/196

- D. 321,882 11/1991 Huie ..... D14/194 X
- D. 342,739 12/1993 Atkin et al. .... D14/299 X
- D. 348,883 7/1994 Peersmann ..... D14/188

*Primary Examiner*—Sandra L. Morris  
*Assistant Examiner*—Nanda Bondade  
*Attorney, Agent, or Firm*—Beveridge, DeGrandi, Weilacher  
& Young LLP

[57] **CLAIM**

The ornamental design for a radio, as shown and described.

**DESCRIPTION**

FIG. 1 is a front elevational view of a radio showing my new design;

FIG. 2 is a left side elevational view thereof;

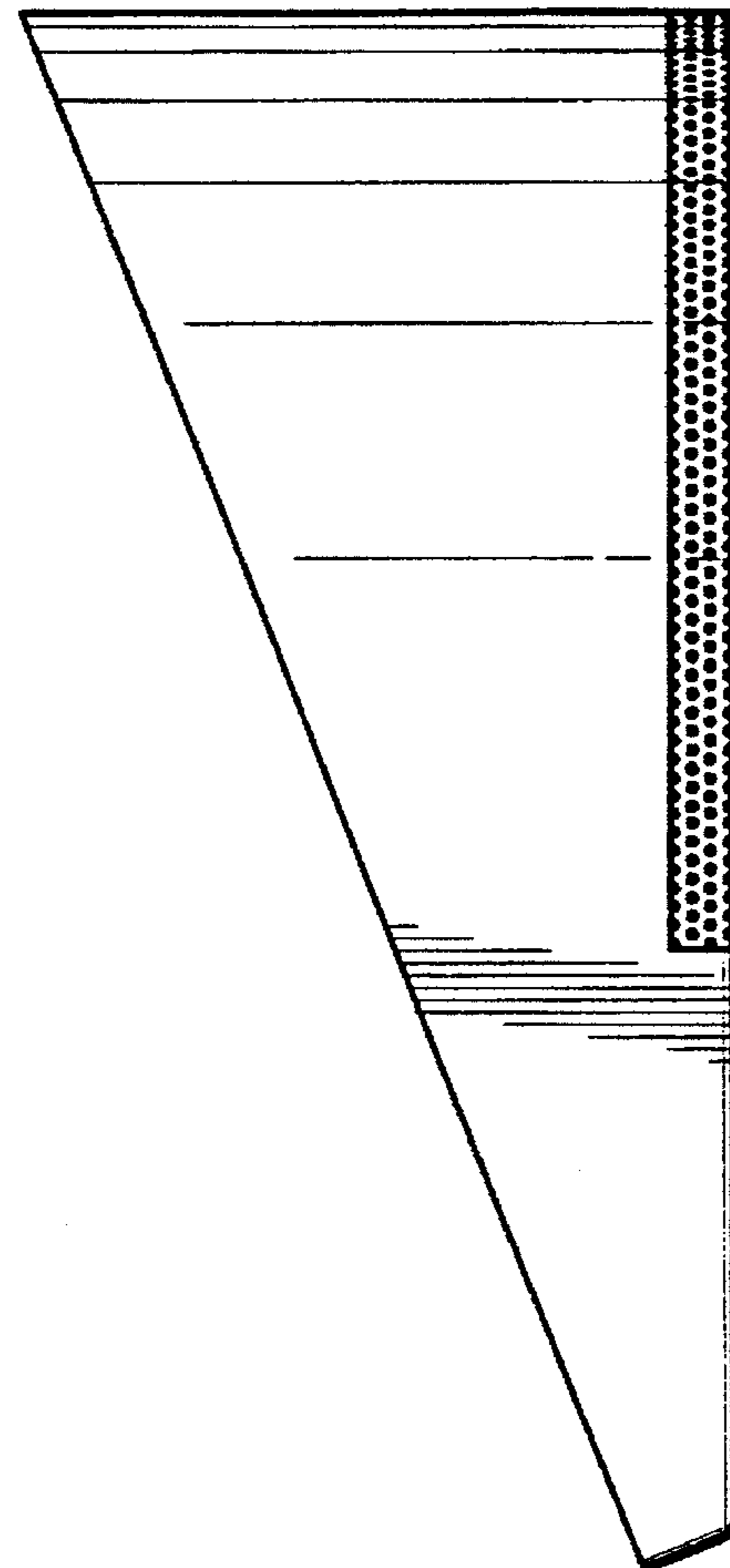
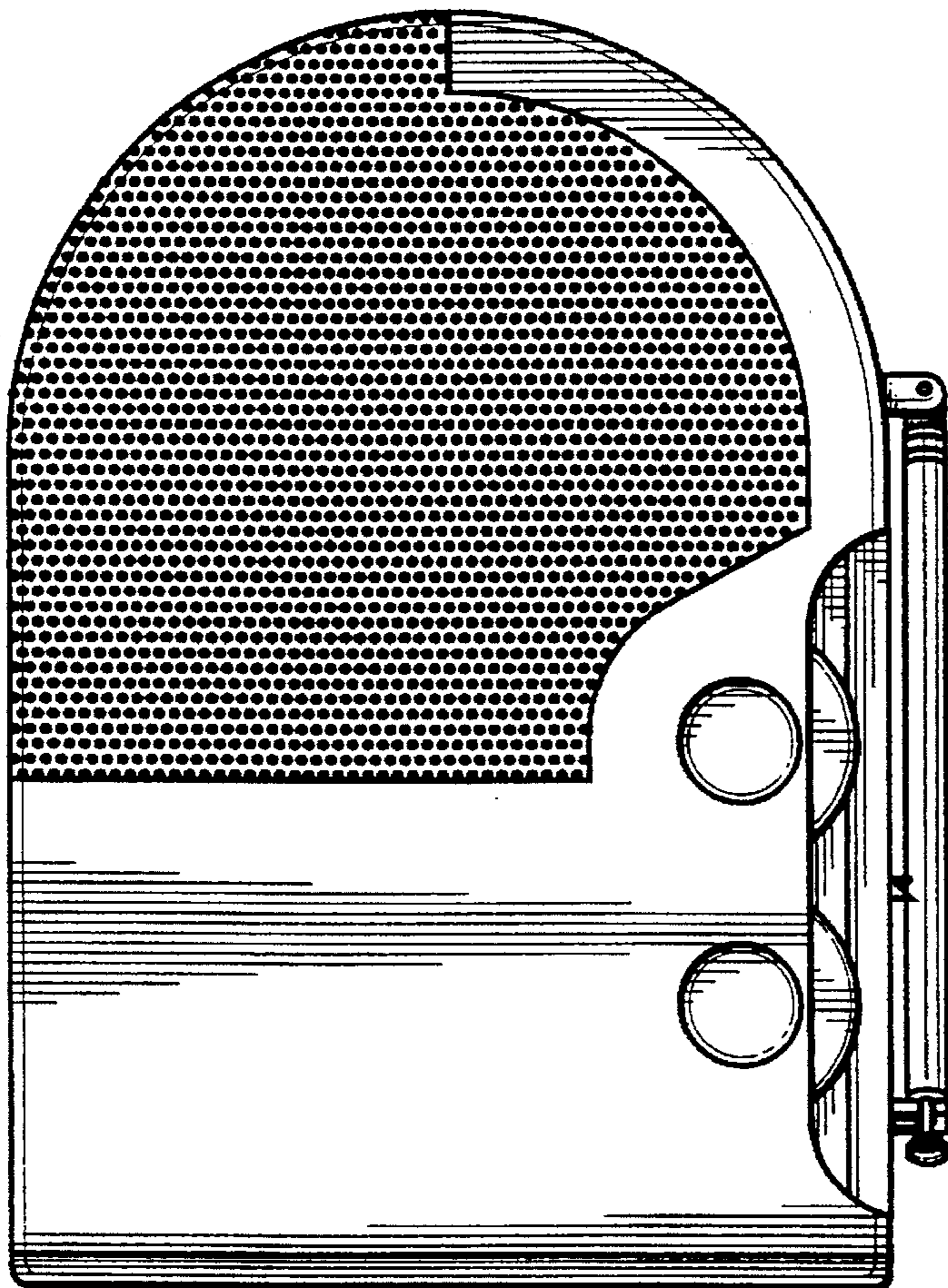
FIG. 3 is a top plan view thereof;

FIG. 4 is a rear elevational view thereof;

FIG. 5 is a right side elevational view thereof; and,

FIG. 6 is a bottom plan view thereof.

**1 Claim, 2 Drawing Sheets**



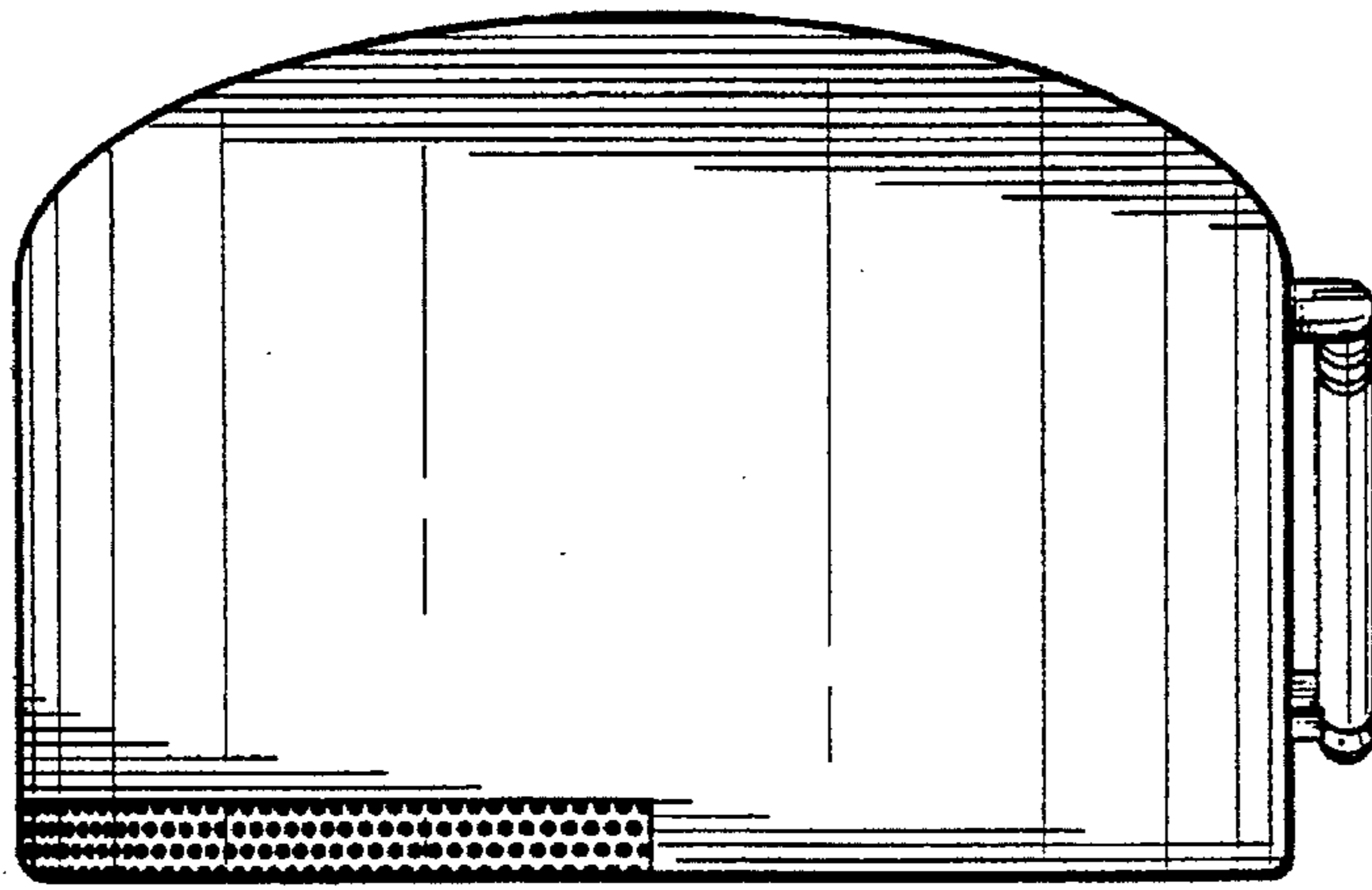


FIG. 3

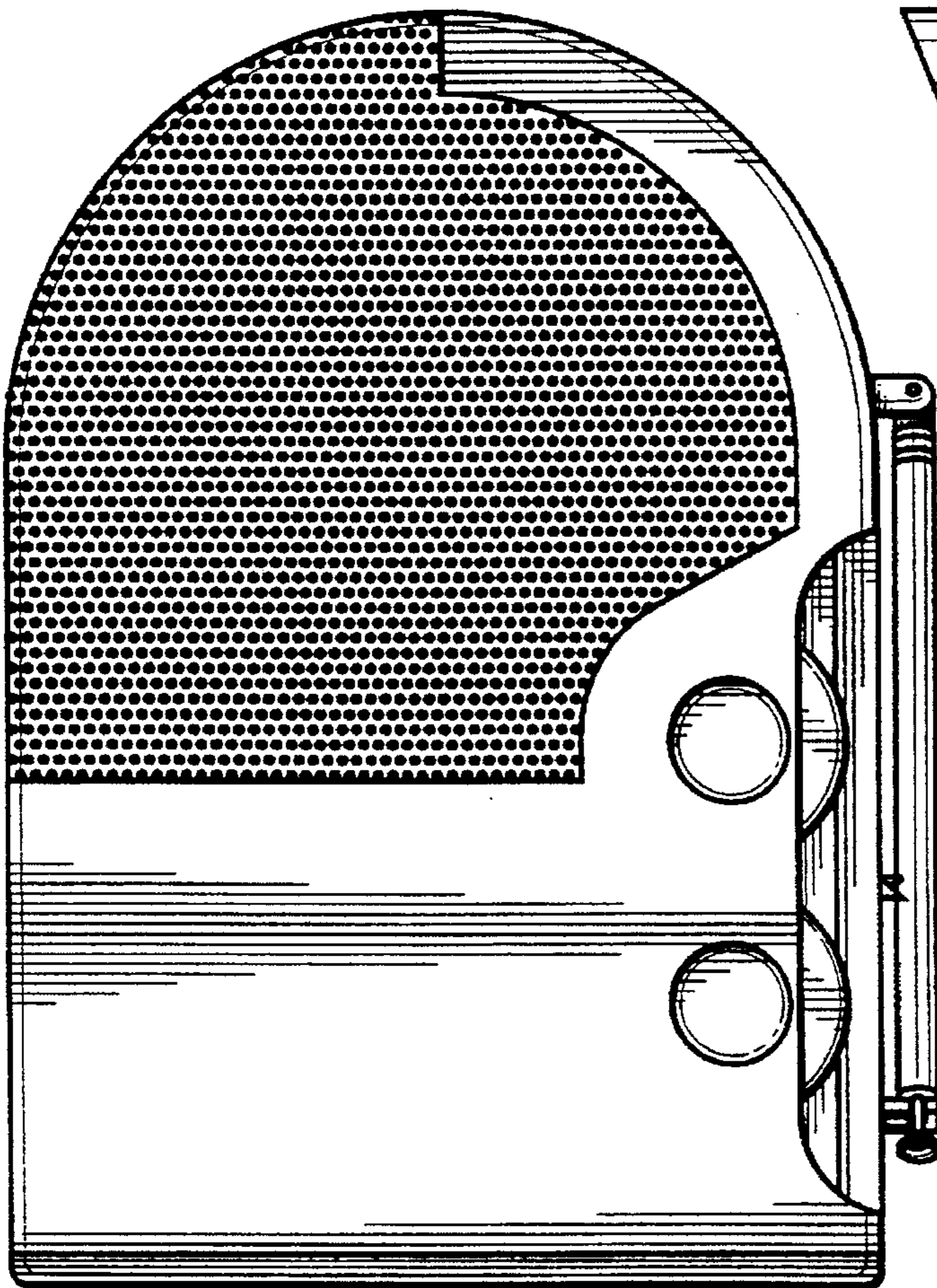


FIG. 1

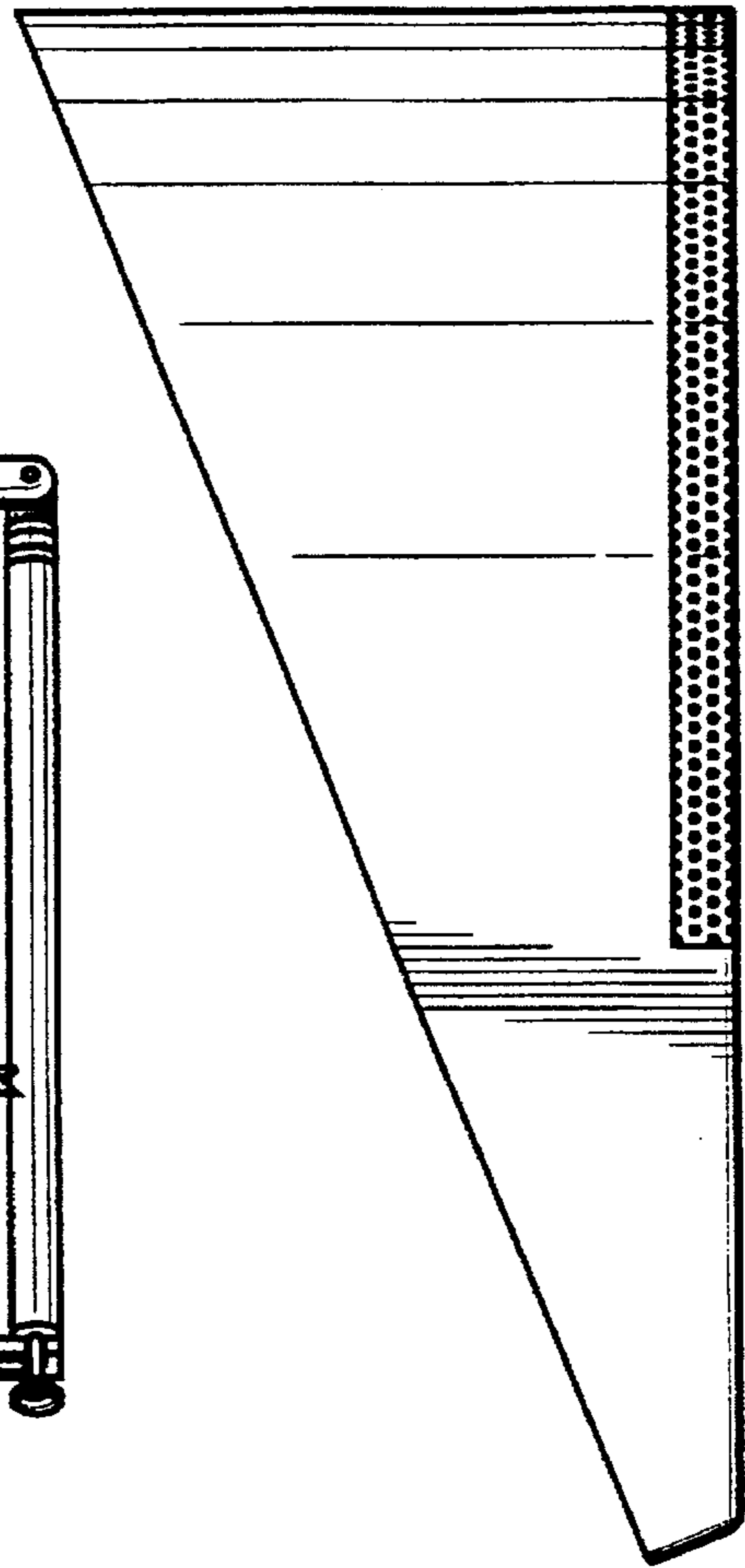


FIG. 2

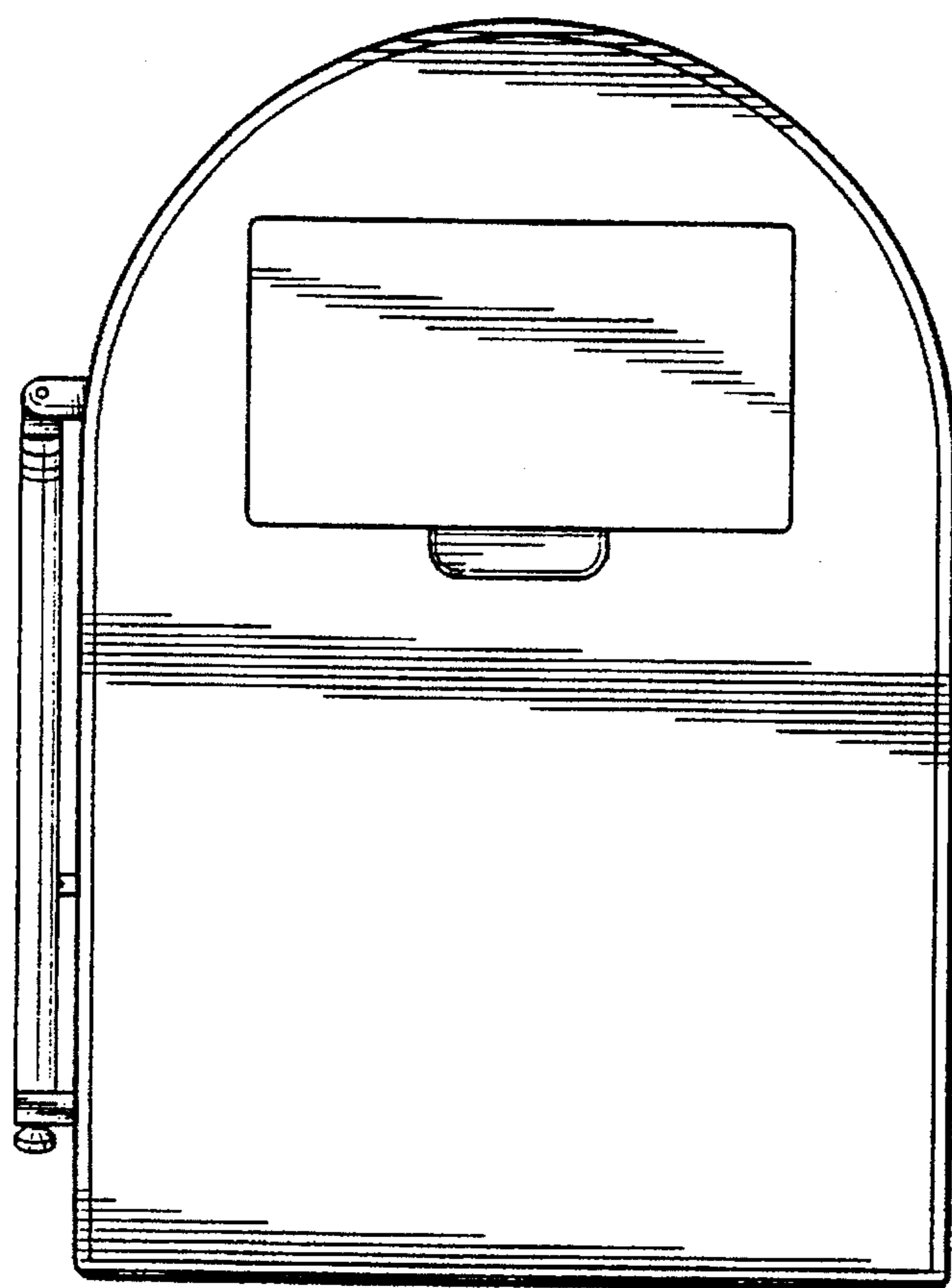


FIG. 4

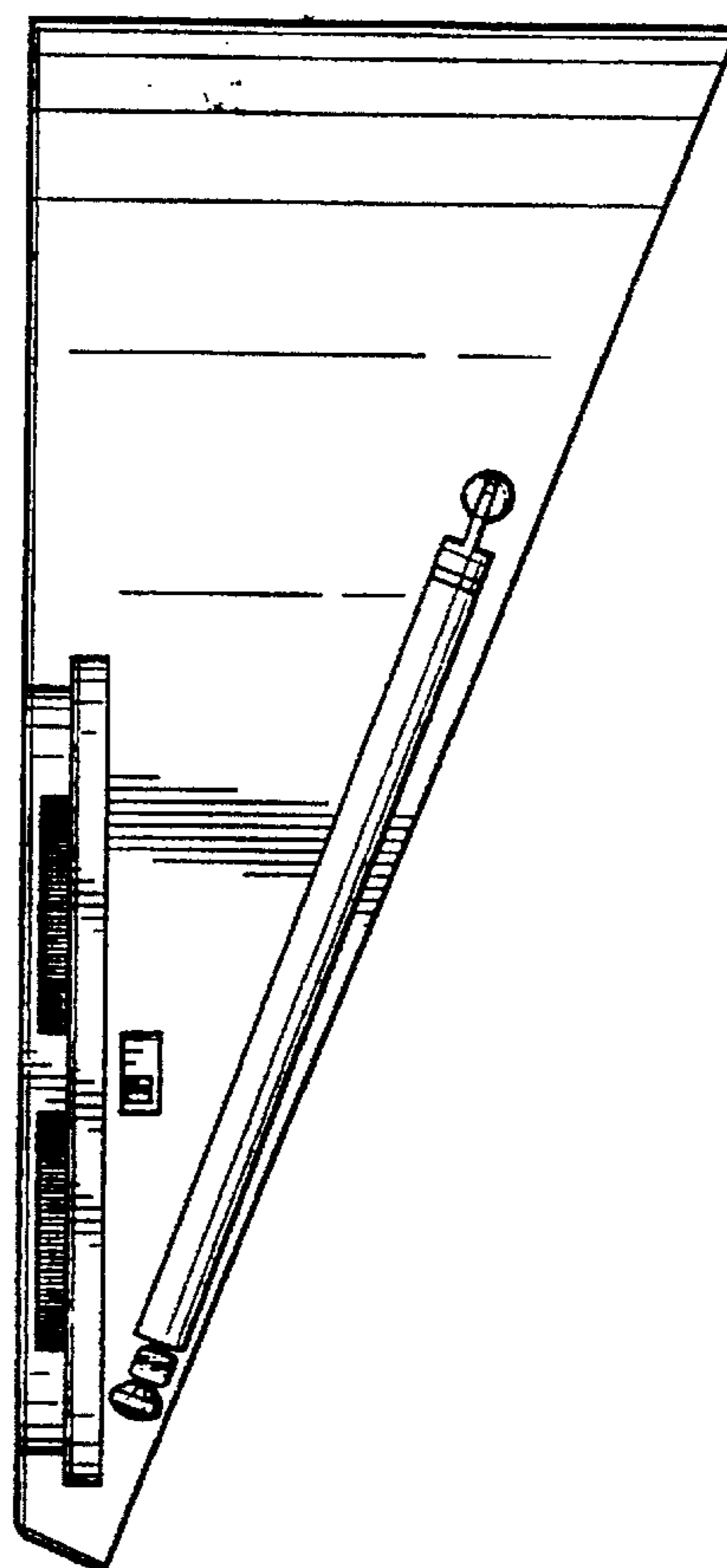


FIG. 5

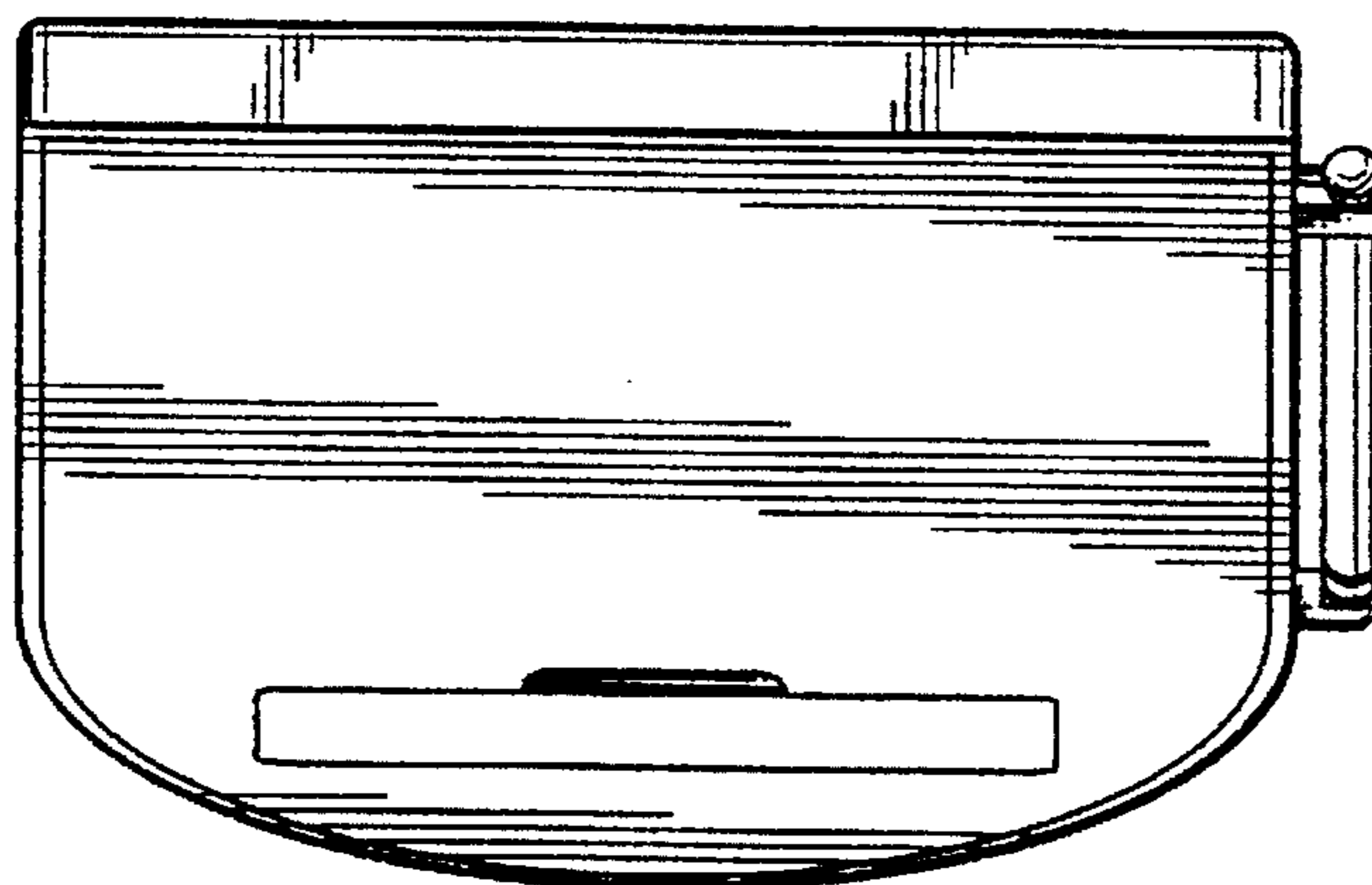


FIG. 6