



US00D380466S

# United States Patent [19]

Iribe

[11] Patent Number: **Des. 380,466**

[45] Date of Patent: **\*\*Jul. 1, 1997**

[54] **TAPE CARTRIDGE**

[76] Inventor: **Toshio Iribe**, 7-35 Kitashinagawa 6 chome, Shinagawa-ku, Tokyo, Japan

[\*\*] Term: **14 Years**

[21] Appl. No.: **50,006**

[22] Filed: **Feb. 7, 1996**

[51] LOC (6) Cl. .... **14-99**

[52] U.S. Cl. .... **D14/121**

[58] Field of Search ..... D14/114, 120-122, D14/299; 242/348-348.4, 341, 326; 360/132, 133

[56] **References Cited**

**U.S. PATENT DOCUMENTS**

- D. 330,895 11/1992 Isozaki ..... D14/121
- D. 337,110 7/1993 Nakaizumi ..... D14/121
- D. 351,380 10/1994 Suzuki ..... D14/121

- D. 365,812 1/1996 Johnson et al. .... D14/121
- 4,672,497 6/1987 Ueda ..... D14/121 X
- 4,850,547 7/1989 Uemura ..... D14/121 X
- 5,099,378 3/1992 Turgeon ..... D14/121 X

*Primary Examiner*—Prabhakar G. Deshmukh

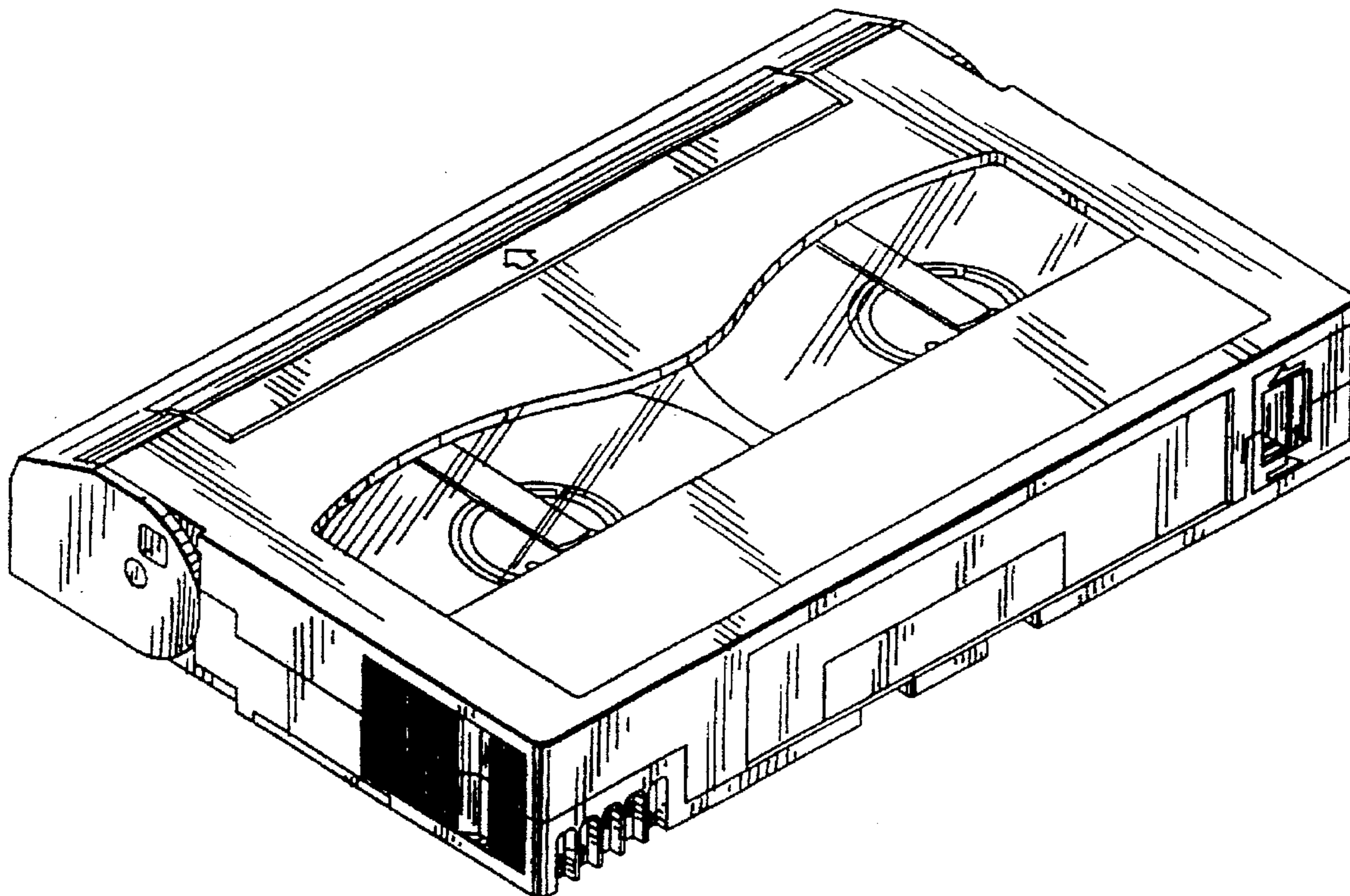
[57] **CLAIM**

The ornamental design for the tape cartridge, as shown and described.

**DESCRIPTION**

FIG. 1 is a perspective view of a tape cartridge showing our new design;  
 FIG. 2 is a rear elevational view thereof;  
 FIG. 3 is a top plan view thereof;  
 FIG. 4 is a front elevational view thereof;  
 FIG. 5 is a bottom plan view thereof;  
 FIG. 6 is a left side elevational view thereof; and,  
 FIG. 7 is a right side elevational view thereof.

**1 Claim, 3 Drawing Sheets**



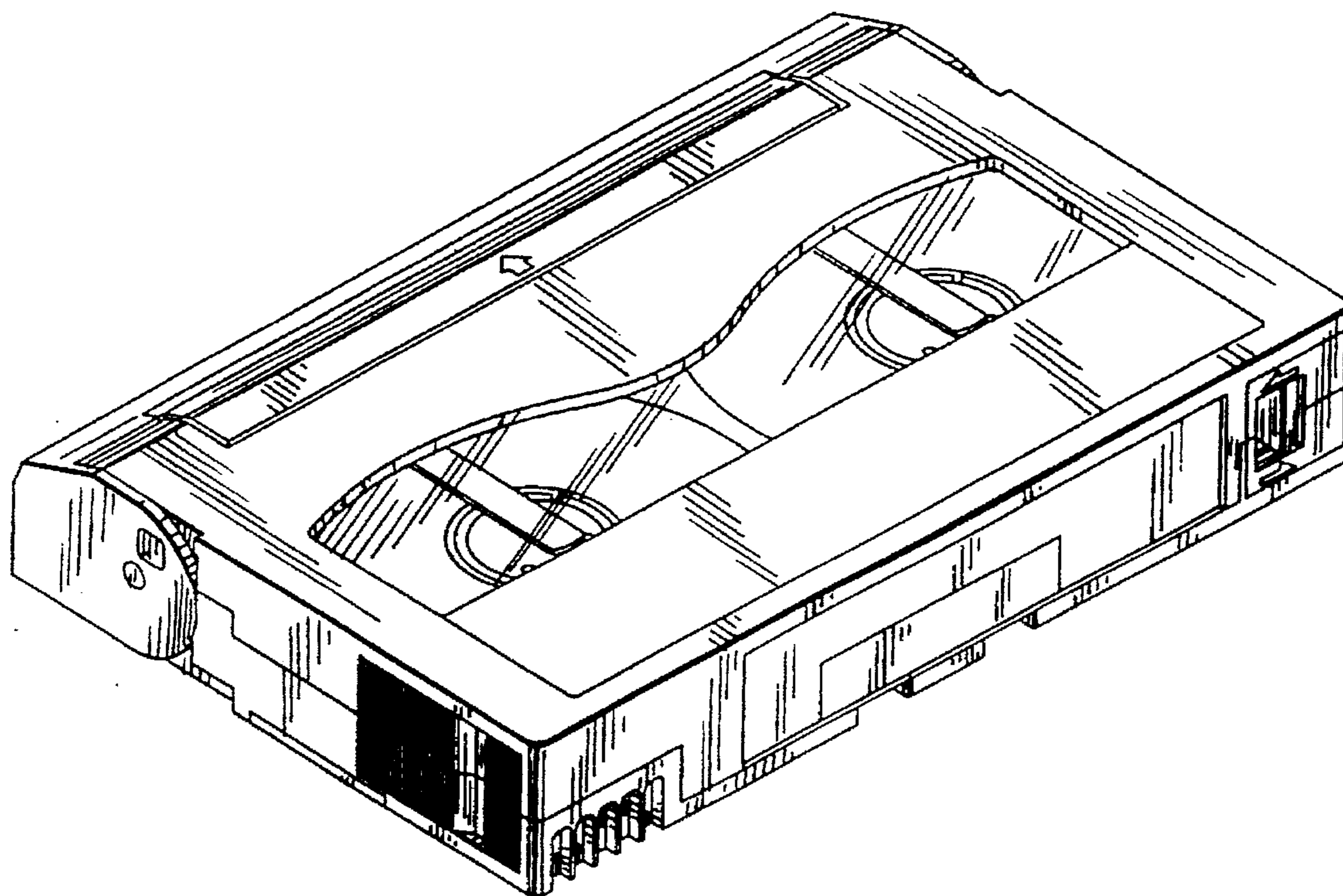


FIG. 1



FIG. 2

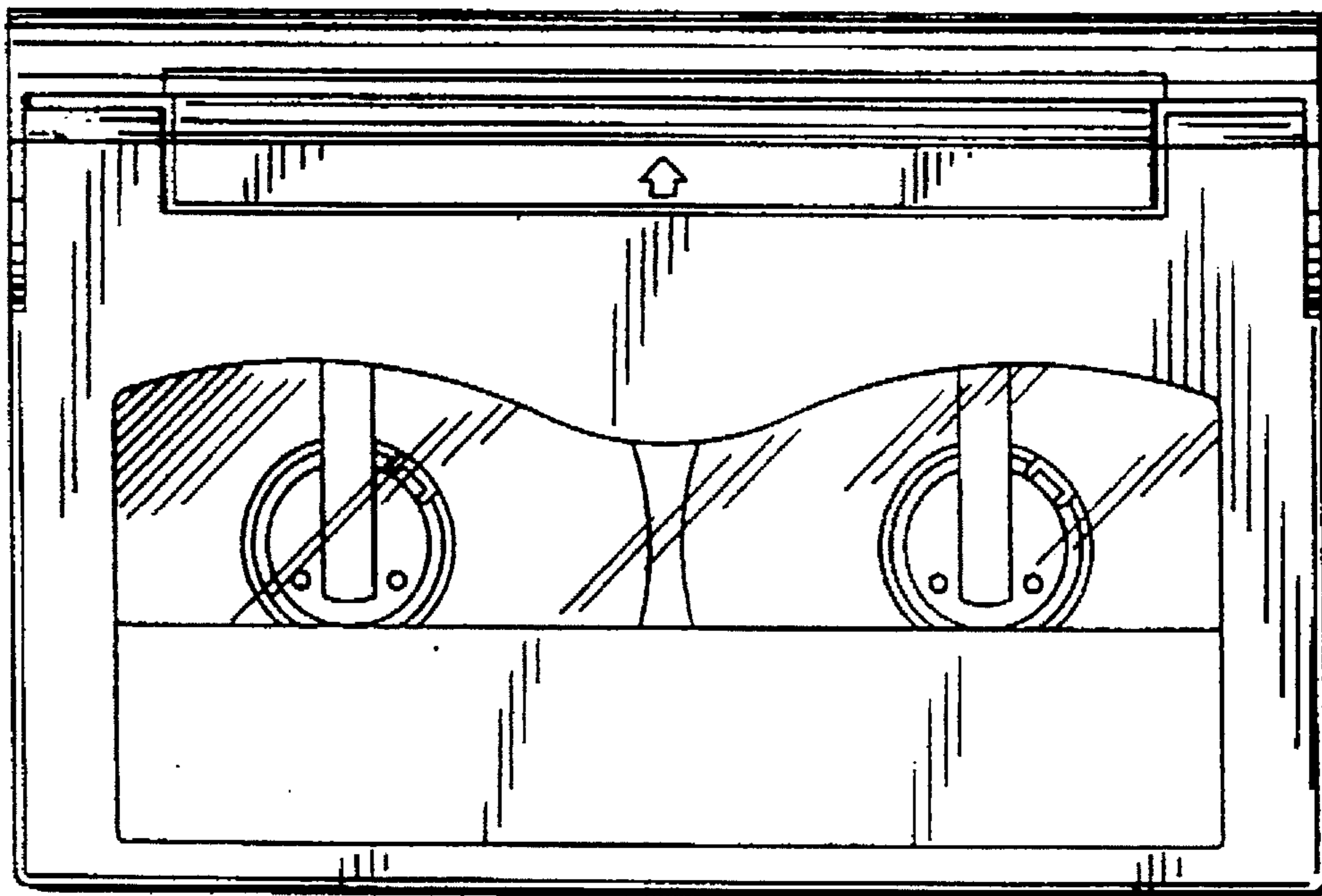


FIG. 3

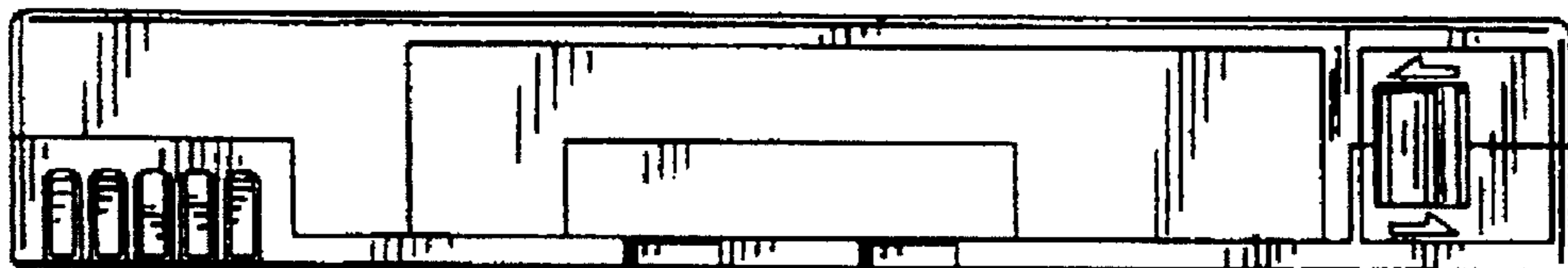


FIG. 4

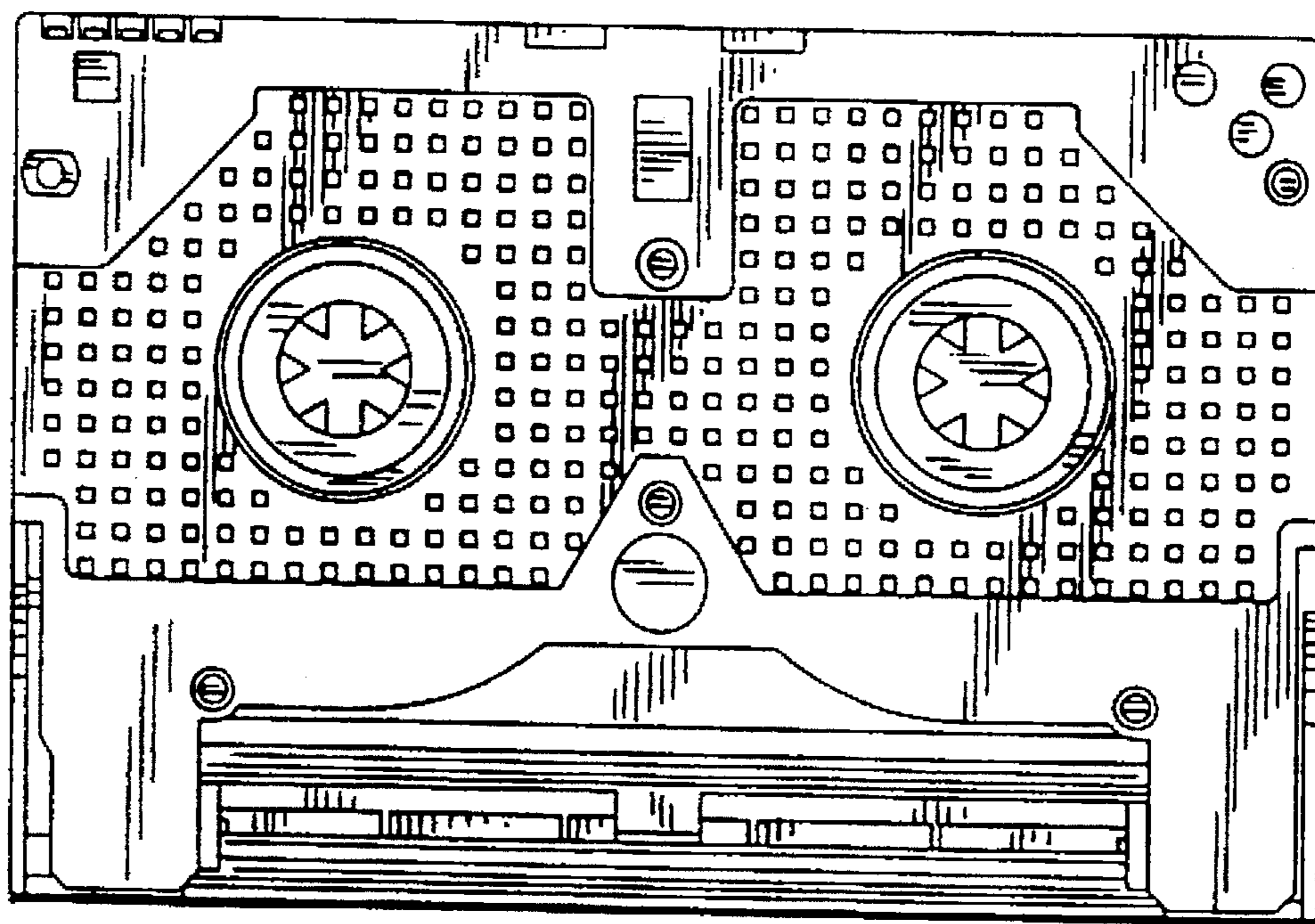


FIG. 5

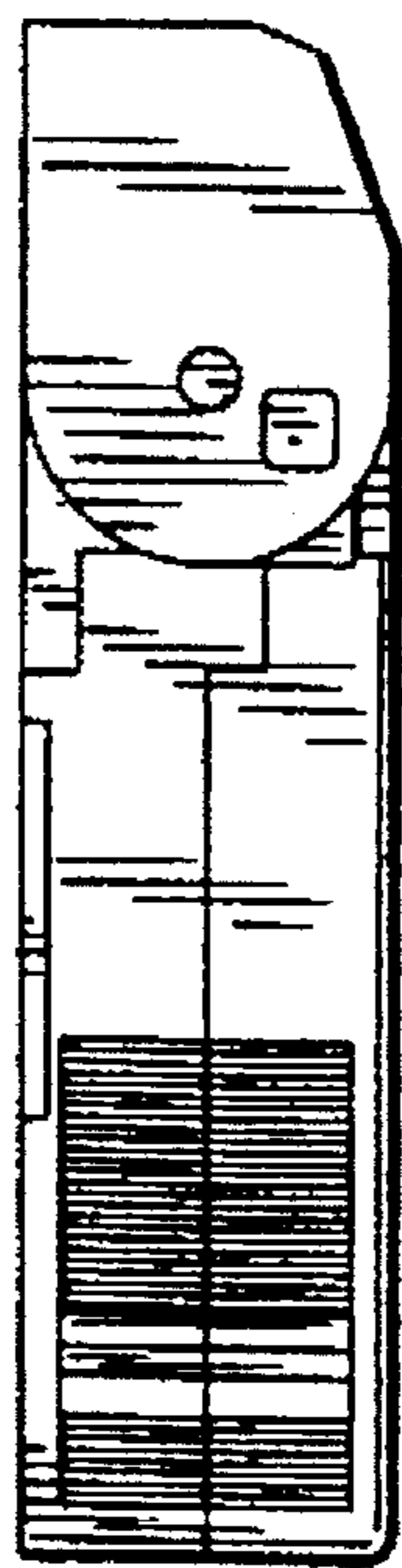


FIG. 6

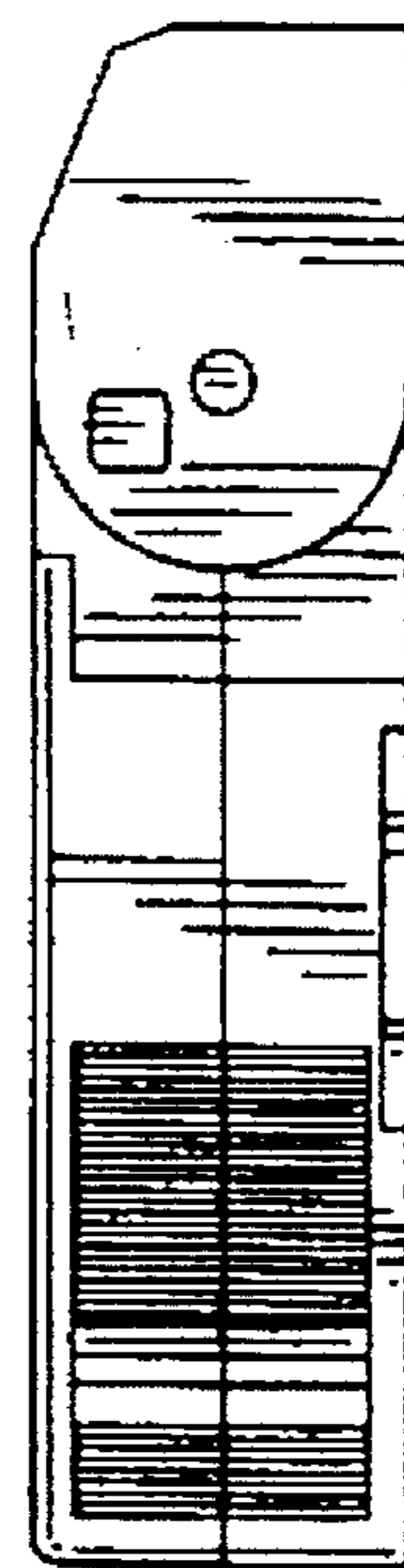


FIG. 7