



US00D380463S

United States Patent [19]
Wu

[11] **Patent Number: Des. 380,463**

[45] **Date of Patent: **Jul. 1, 1997**

[54] **MOUSE**

D. 313,589 1/1991 Martinelli et al. D14/114
D. 315,552 3/1991 Sacherman D14/114

[76] **Inventor: Chun Kuo Wu**, 18F1-6, No. 1, Bao Sheng Rd., Yuan Ho City, Taipei Hsien, Taiwan

Primary Examiner—Freda Nunn
Attorney, Agent, or Firm—Pro-Techtor Int'l Services

[**] **Term: 14 Years**

[57] **CLAIM**

The ornamental design for a mouse, as shown.

[21] **Appl. No.: 51,602**

[22] **Filed: Mar. 14, 1996**

DESCRIPTION

[51] **LOC (6) Cl. 14-02**

[52] **U.S. Cl. D14/114**

[58] **Field of Search** D14/100, 114;
D13/158; D21/13, 48; 74/471 XY; 178/18,
19; 200/5 A, 5 R, 6 A, 6 R; 273/148 B;
345/156-167

FIG. 1 is a front right perspective view of a mouse showing my design;

FIG. 2 is a top plan view thereof;

FIG. 3 is a bottom plan view thereof;

FIG. 4 is a left side elevational view thereof;

FIG. 5 is a right side elevation view thereof;

FIG. 6 is a front elevation view thereof; and,

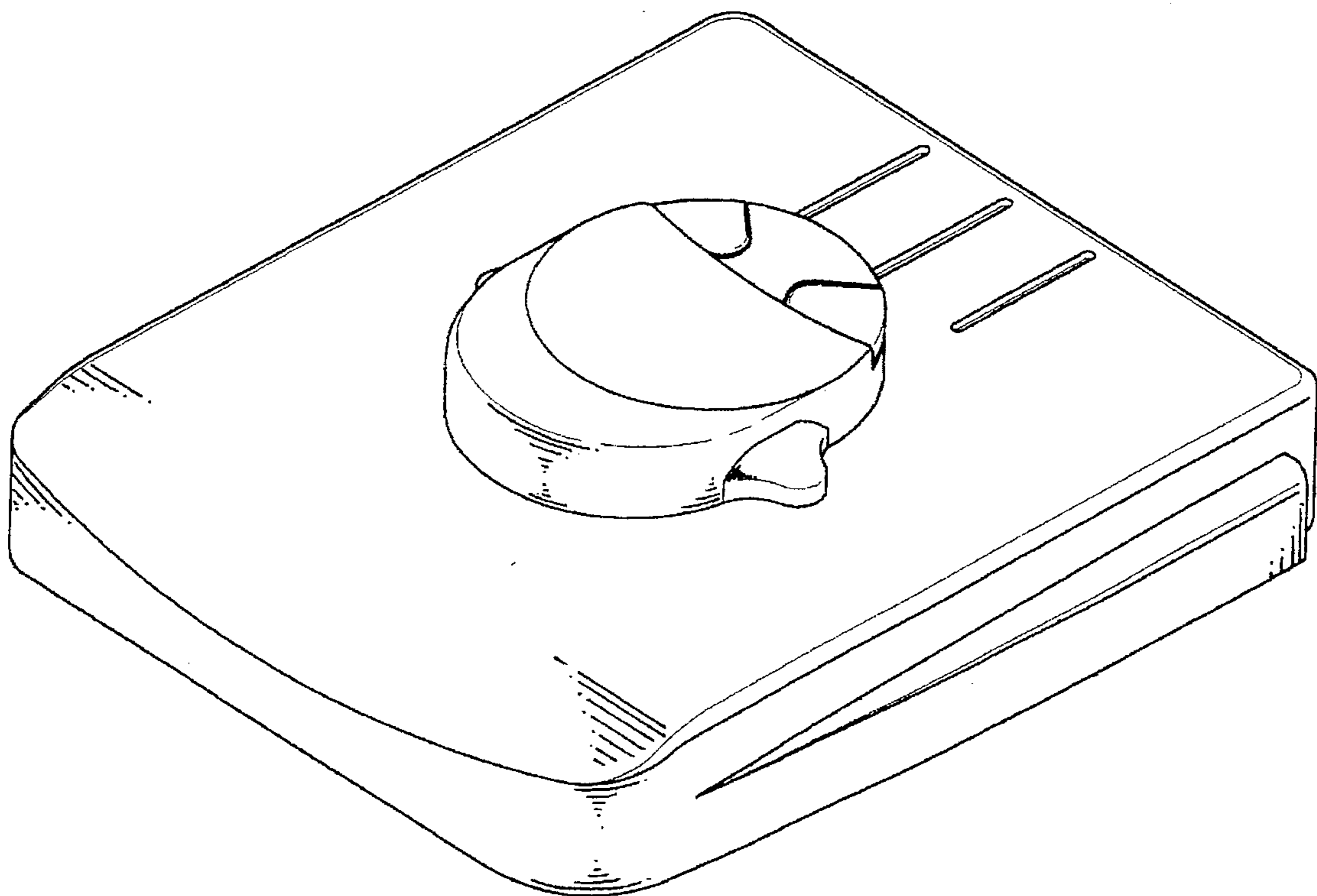
FIG. 7 is a rear elevation view thereof.

[56] **References Cited**

U.S. PATENT DOCUMENTS

D. 302,010 7/1989 Mc Laughlin et al. D14/114

1 Claim, 4 Drawing Sheets



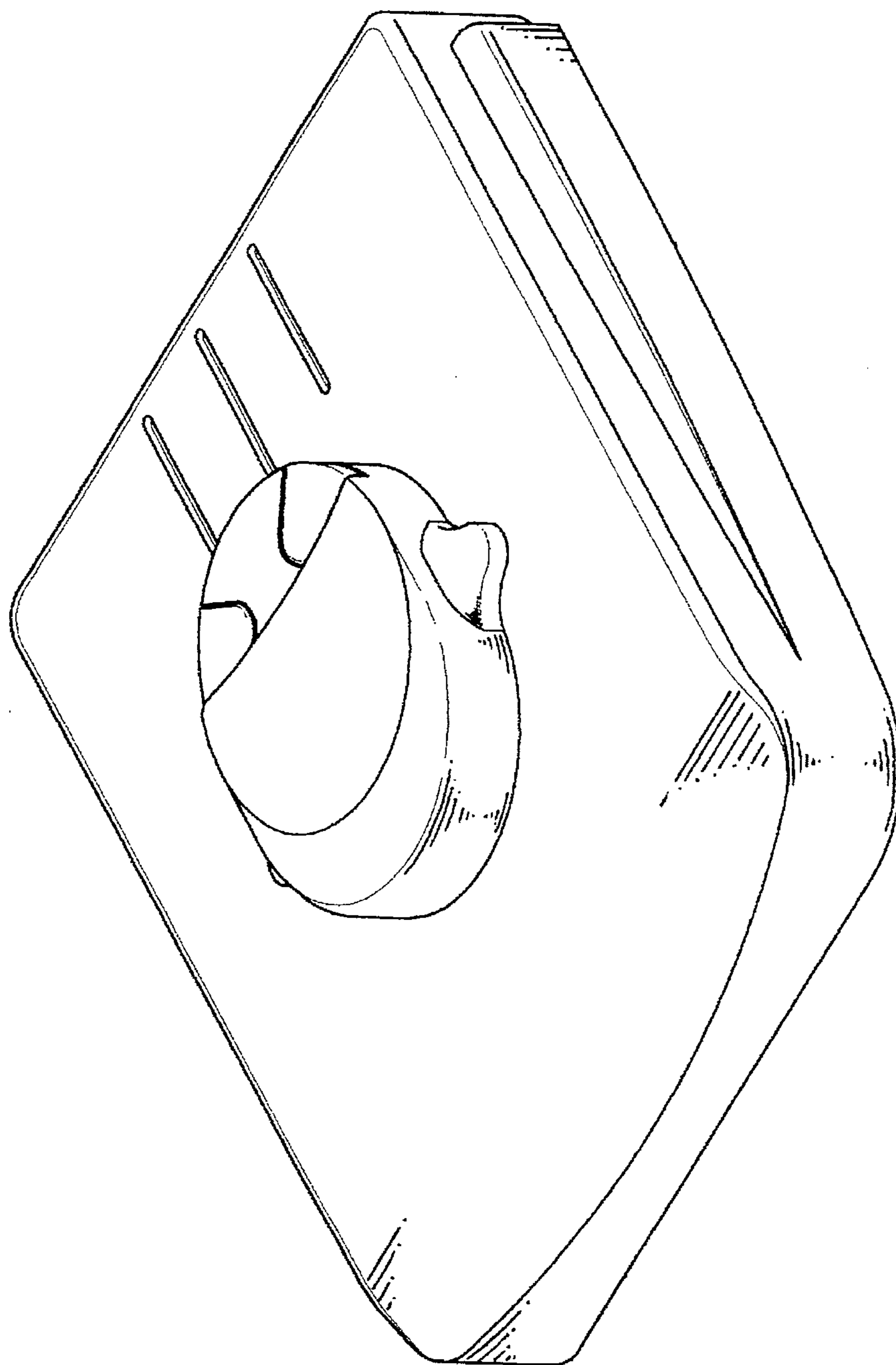


FIG. 1

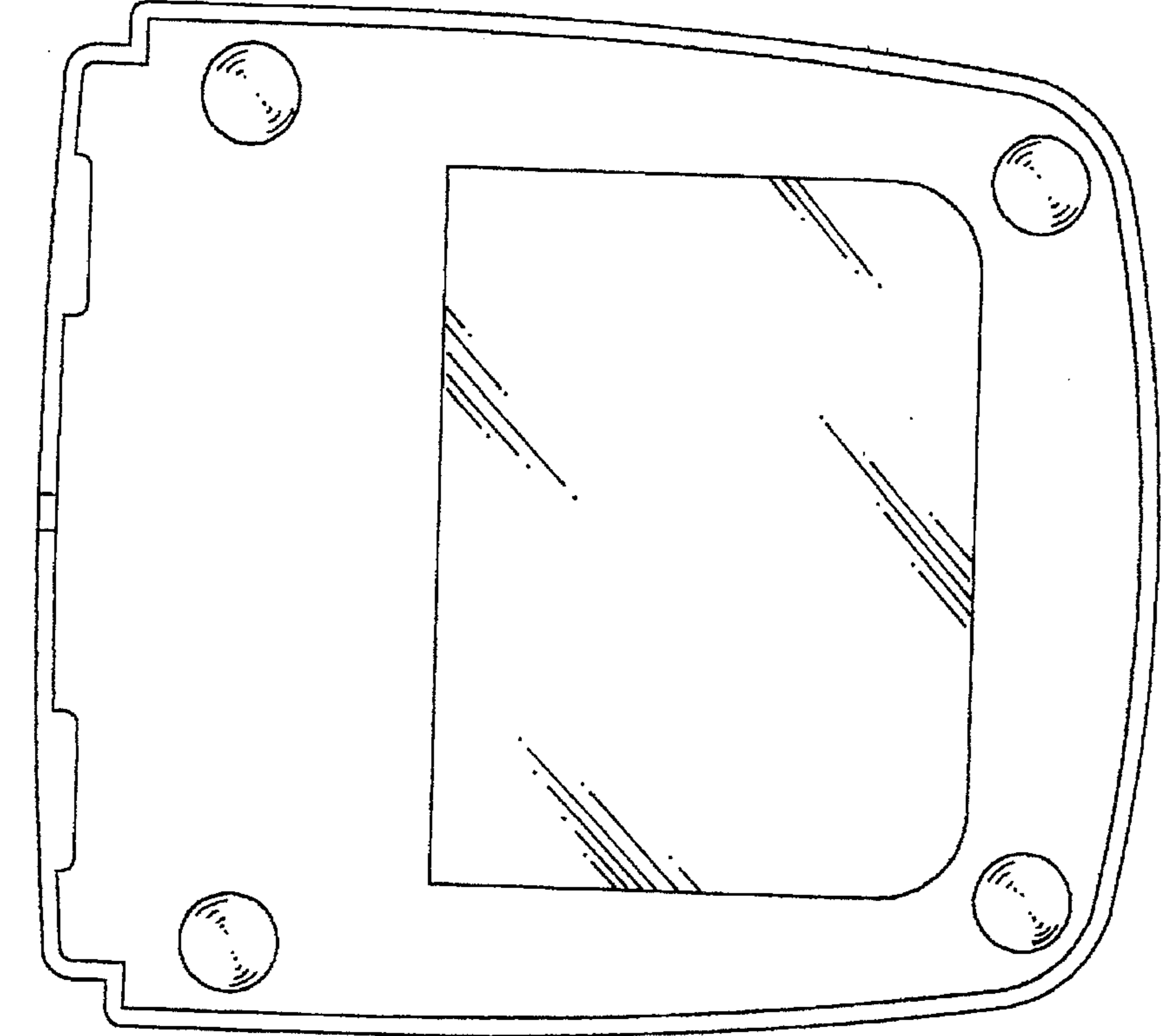


FIG. 2

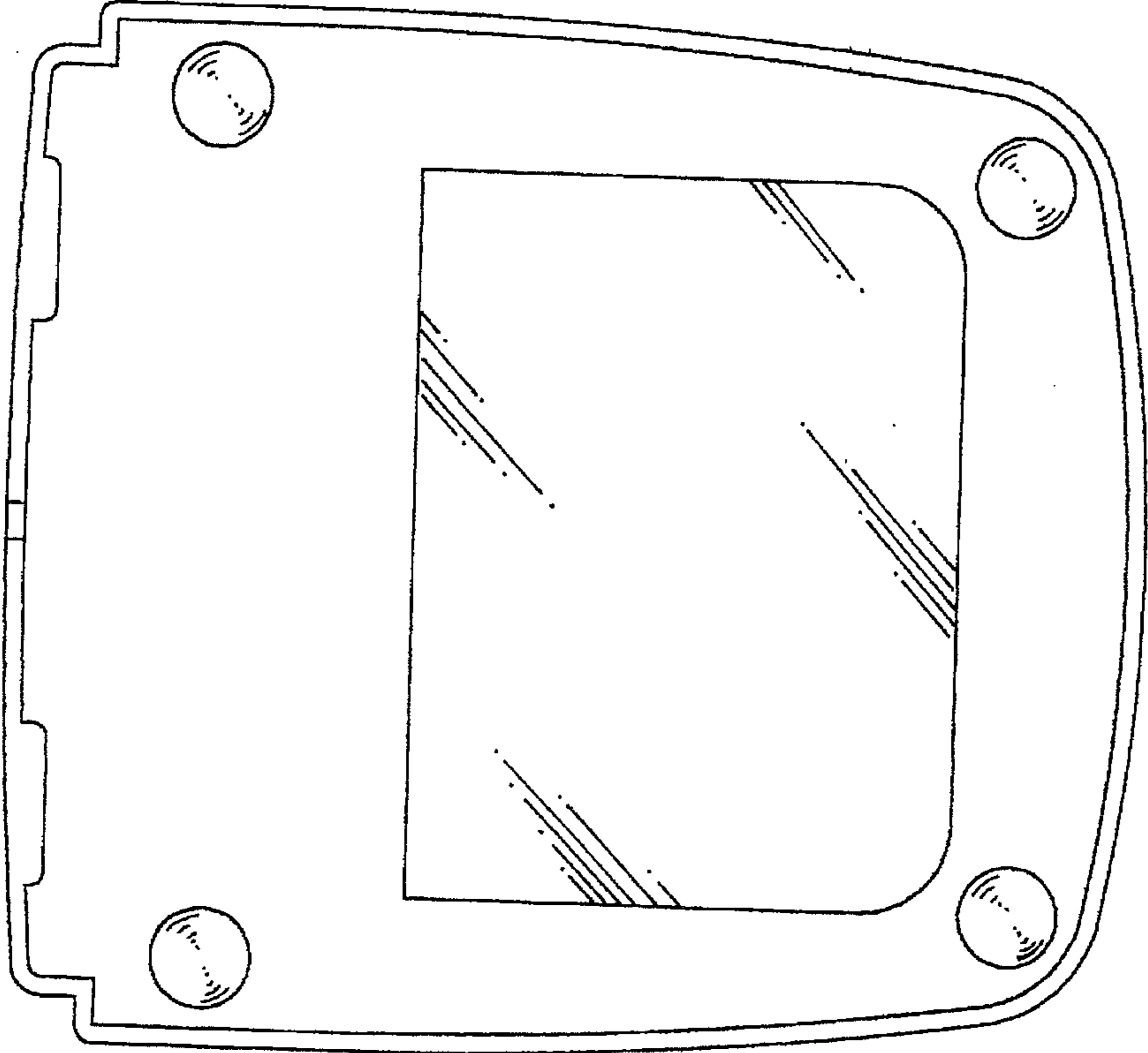


FIG. 3

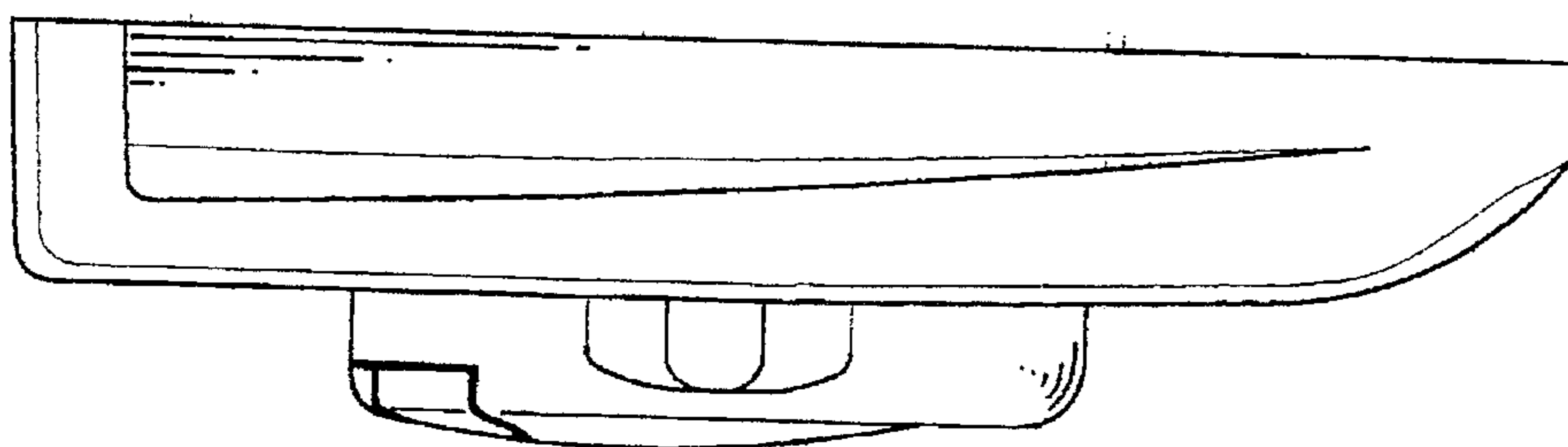


FIG. 5

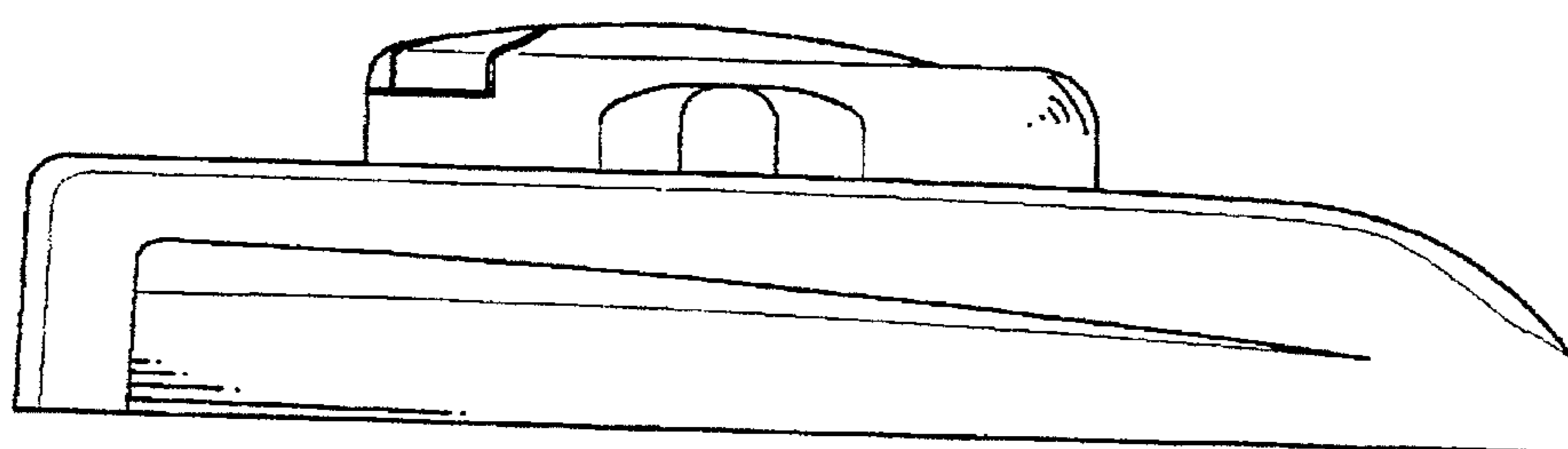


FIG. 4

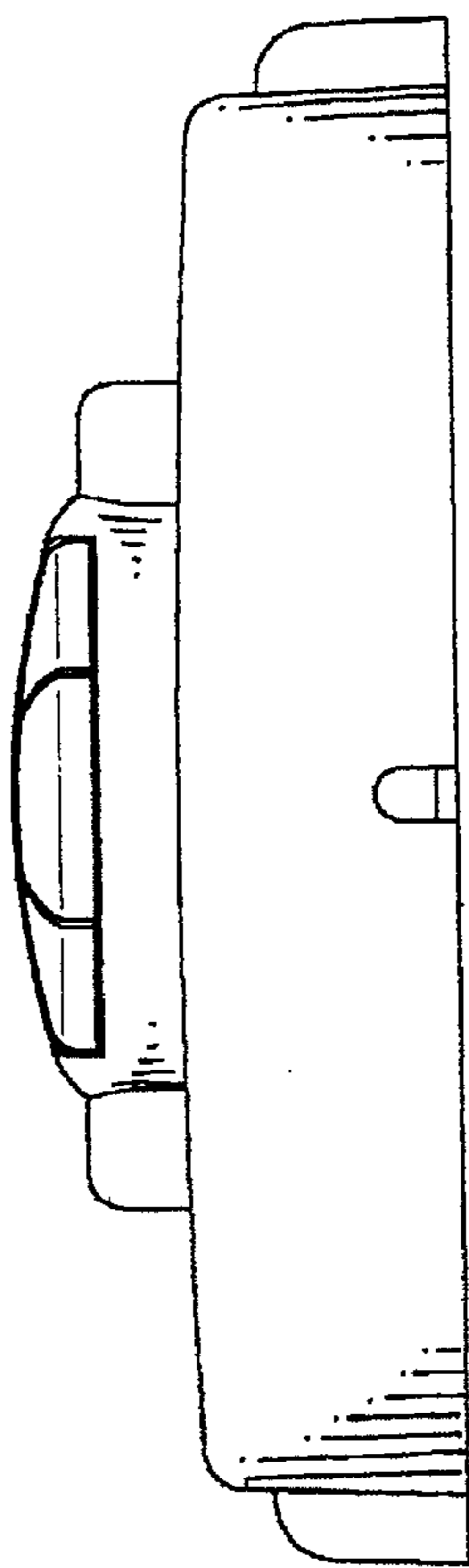


FIG. 7

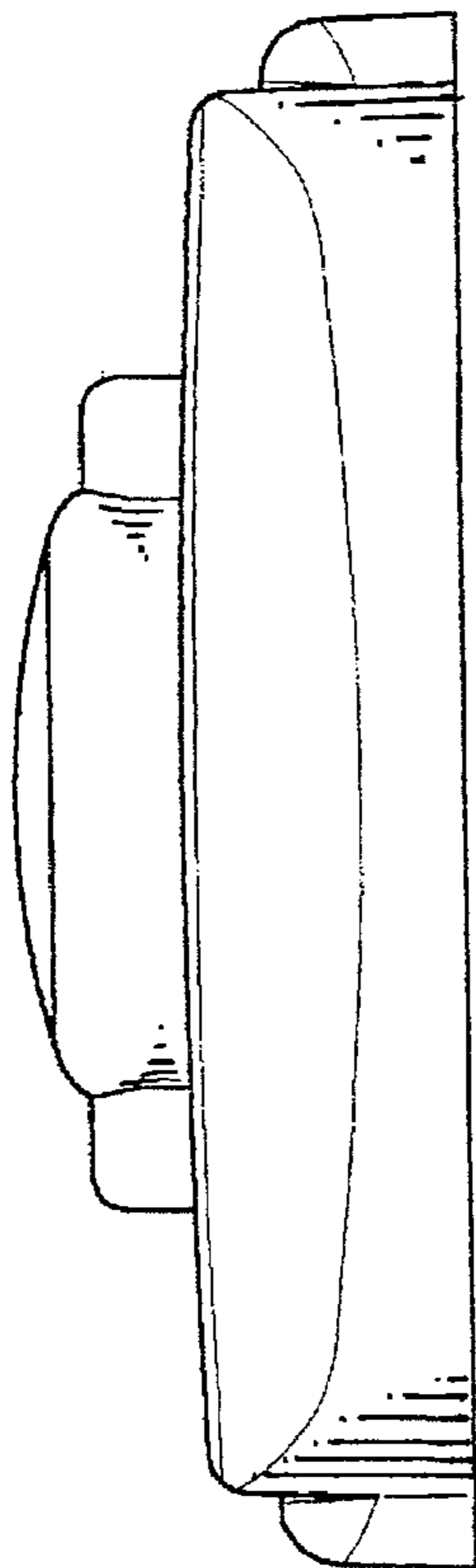


FIG. 6