



US00D380459S

United States Patent [19]

Tanimura et al.

[11] Patent Number: **Des. 380,459**

[45] Date of Patent: ****Jul. 1, 1997**

[54] **PERSONAL COMPUTER**

[75] Inventors: **Yoichi Tanimura; Toru Makidera,**
both of Nara-ken; **Yasuhiko Mano,**
Hiroshima-ken, all of Japan

[73] Assignee: **Sharp Kabushiki Kaisha,** Osaka, Japan

[**] Term: **14 Years**

[21] Appl. No.: **51,530**

[22] Filed: **Mar. 12, 1996**

[30] **Foreign Application Priority Data**

Sep. 14, 1995 [JP] Japan 7-27274

[51] LOC (6) Cl. **14-02**

[52] U.S. Cl. **D14/106**

[58] **Field of Search** D14/100, 101,
D14/106, 113, 115; D18/1, 7; 235/145 A,
145 R; 341/22, 23; 345/104, 156, 168,
173; 361/680-686; 364/708.1; 400/486,
489, 160

[56] **References Cited**

U.S. PATENT DOCUMENTS

- D. 330,016 10/1992 Mizusugi et al. D14/106
- D. 334,182 3/1993 Mizusugi et al. D14/106
- D. 335,124 4/1993 Mizusugi et al. D14/106
- D. 338,880 8/1993 Mizusugi et al. D14/106
- D. 339,114 9/1993 Mizusugi et al. D14/106
- D. 340,921 11/1993 Mizusugi et al. D14/106
- D. 343,167 1/1994 Mizusugi et al. D14/106
- D. 343,168 1/1994 Morisaki et al. D14/106

- D. 344,496 2/1994 Mizusugi et al. D14/106
- D. 355,170 2/1995 Mizusugi et al. D14/100
- D. 356,550 3/1995 Mizusugi et al. D14/100
- D. 357,674 4/1995 Mizusugi D14/106
- D. 363,471 10/1995 Shima et al. D14/106
- D. 365,337 12/1995 Tsiang et al. D14/106
- D. 366,252 1/1996 Nelson et al. D14/106

Primary Examiner—Freda Nunn
Attorney, Agent, or Firm—Nixon & Vanderhye

[57] **CLAIM**

The ornamental design for a personal computer, as shown and described.

DESCRIPTION

FIG. 1 is a top, front and right side perspective view of a personal computer according to our design;
 FIG. 2 is a top plan view thereof;
 FIG. 3 is a front elevational view thereof;
 FIG. 4 is a right side elevational view thereof;
 FIG. 5 is a rear elevational view thereof;
 FIG. 6 is a left side elevational view thereof;
 FIG. 7 is a bottom plan view thereof;
 FIG. 8 is a top, front and right side perspective view thereof with the cover in a closed position;
 FIG. 9 is a top plan view thereof;
 FIG. 10 is a front elevational view thereof;
 FIG. 11 is a right side elevational view thereof;
 FIG. 12 is a left side elevational view thereof;
 FIG. 13 is a rear elevational view thereof; and,
 FIG. 14 is a bottom plan view thereof.

1 Claim, 12 Drawing Sheets

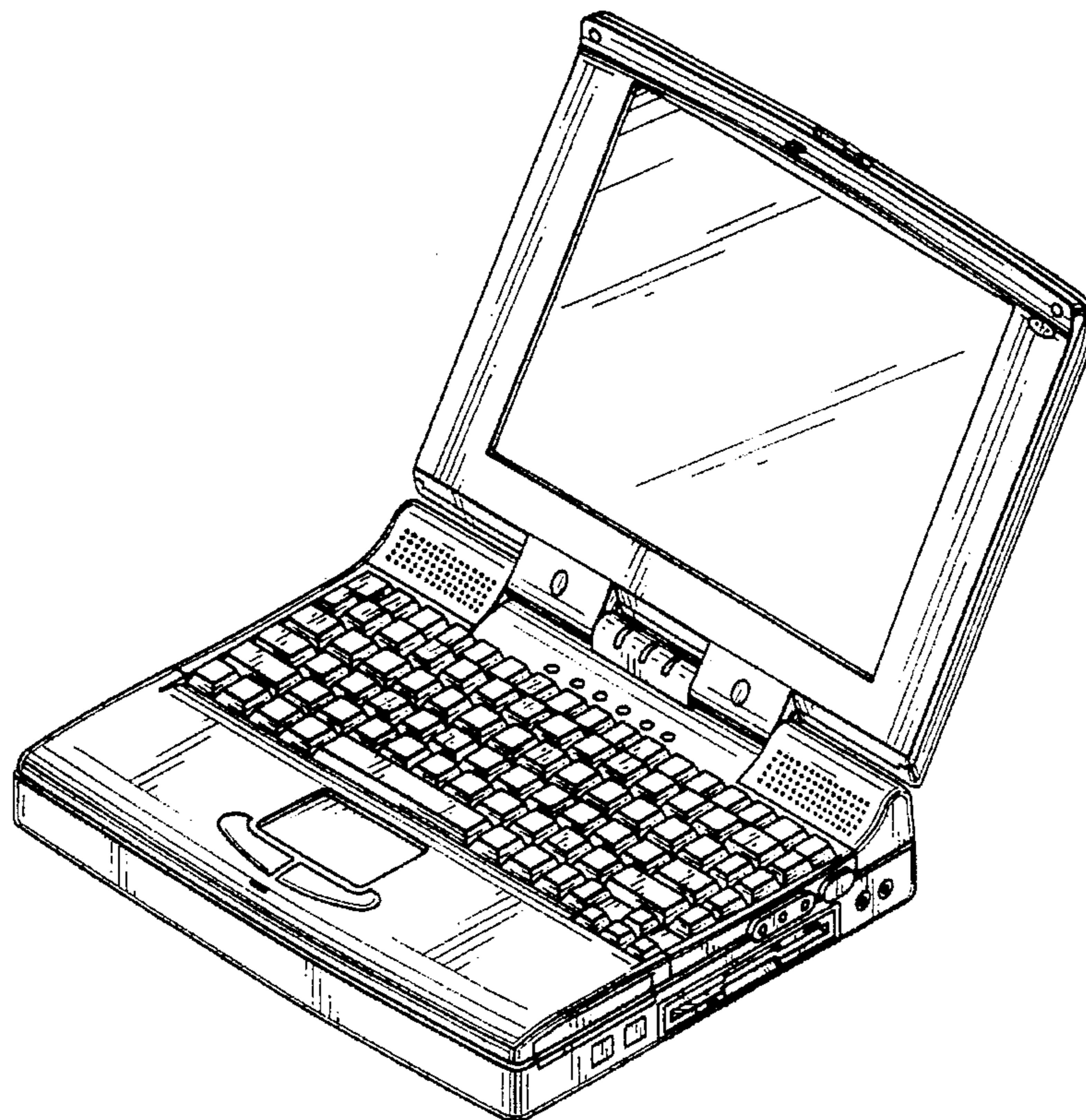


FIG. 1

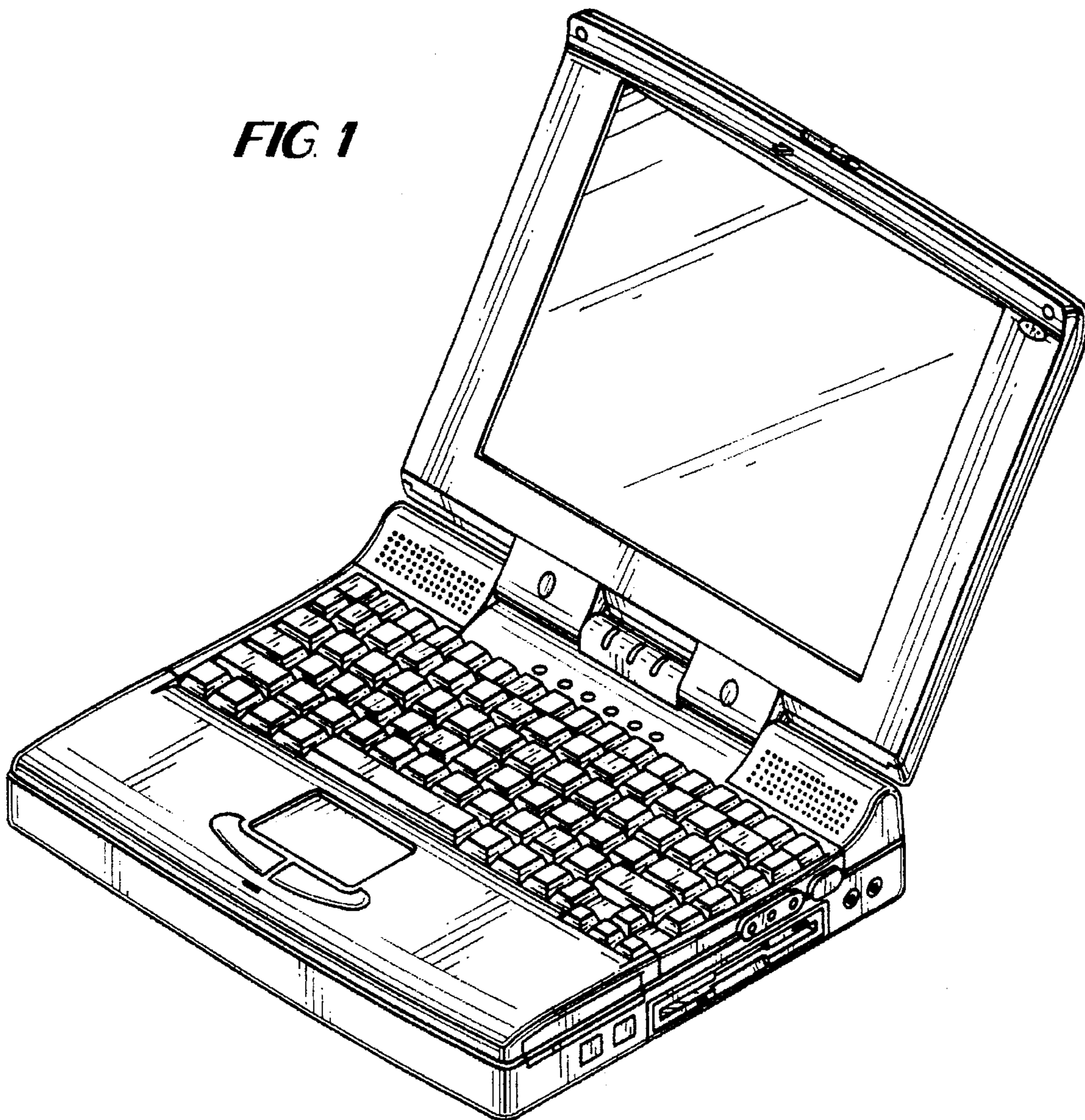
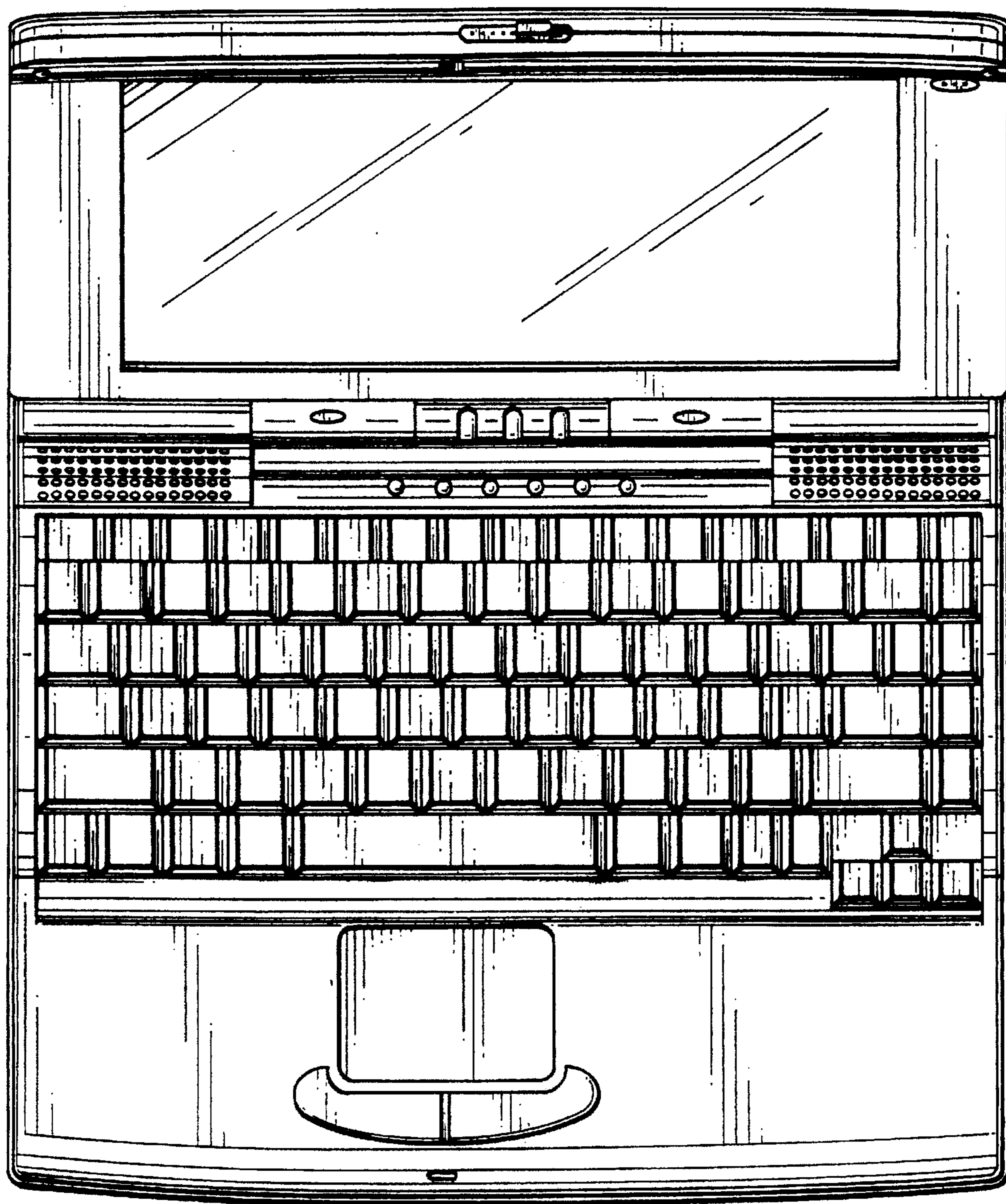


FIG. 2



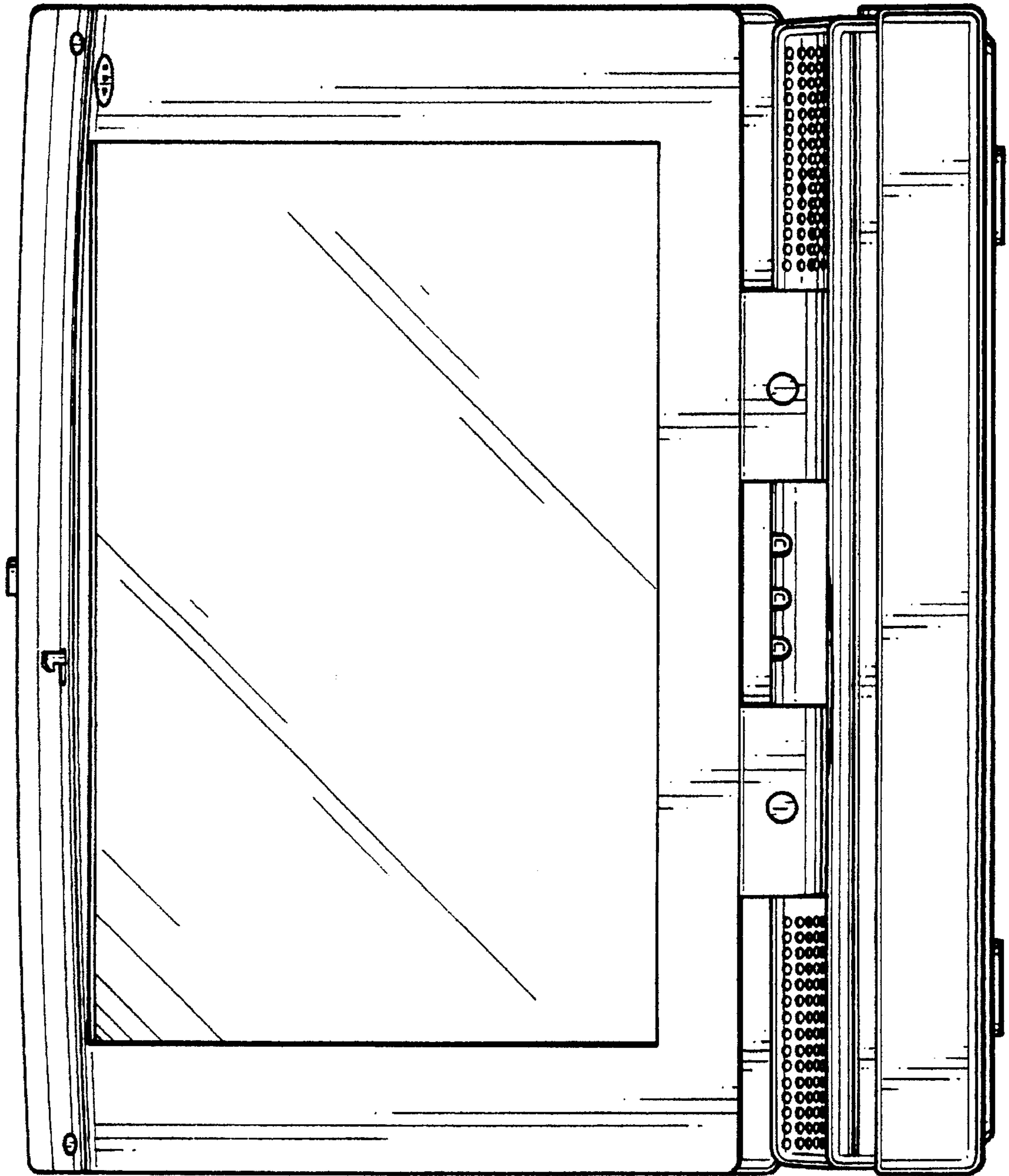


FIG. 3

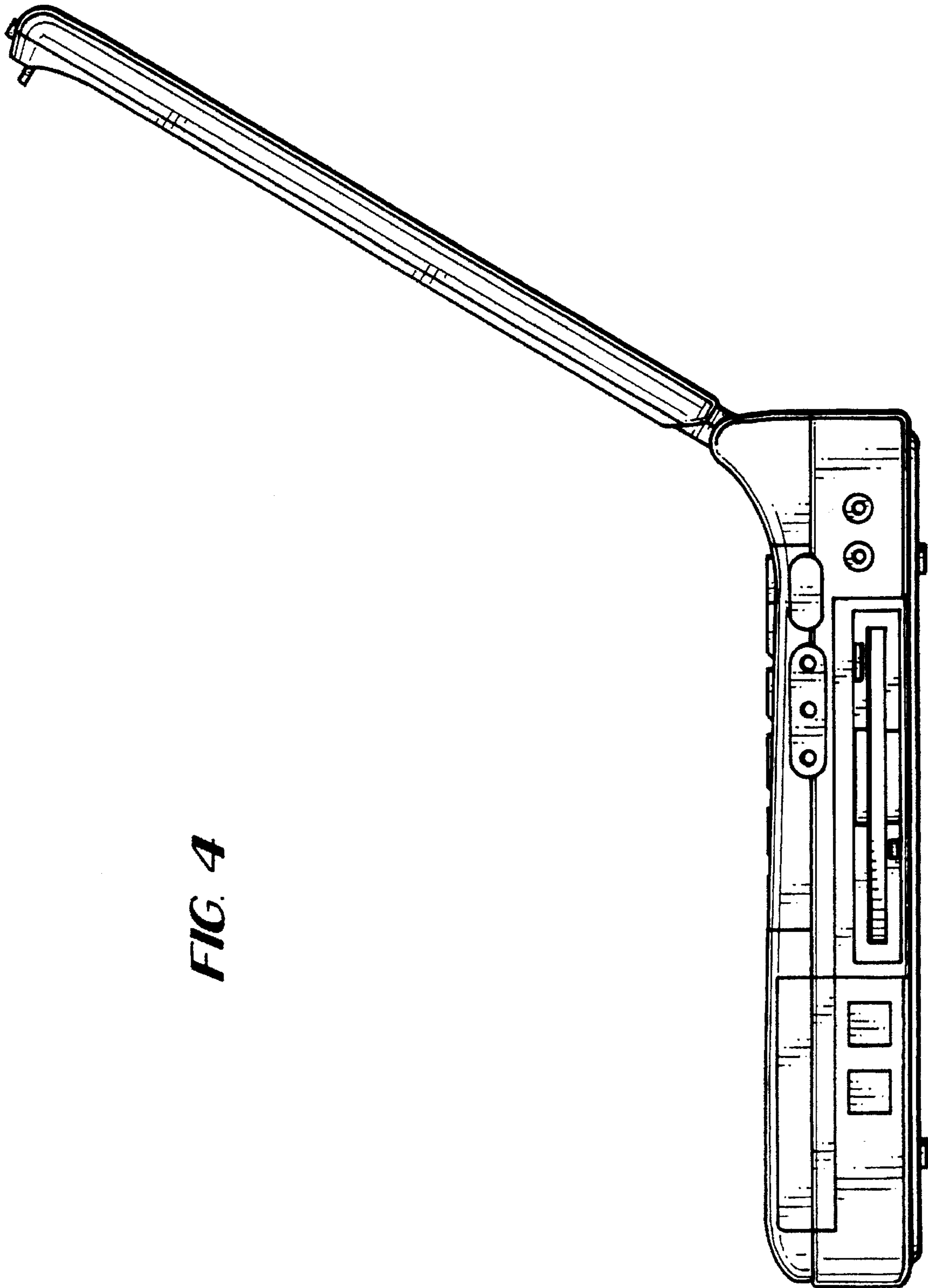


FIG. 4

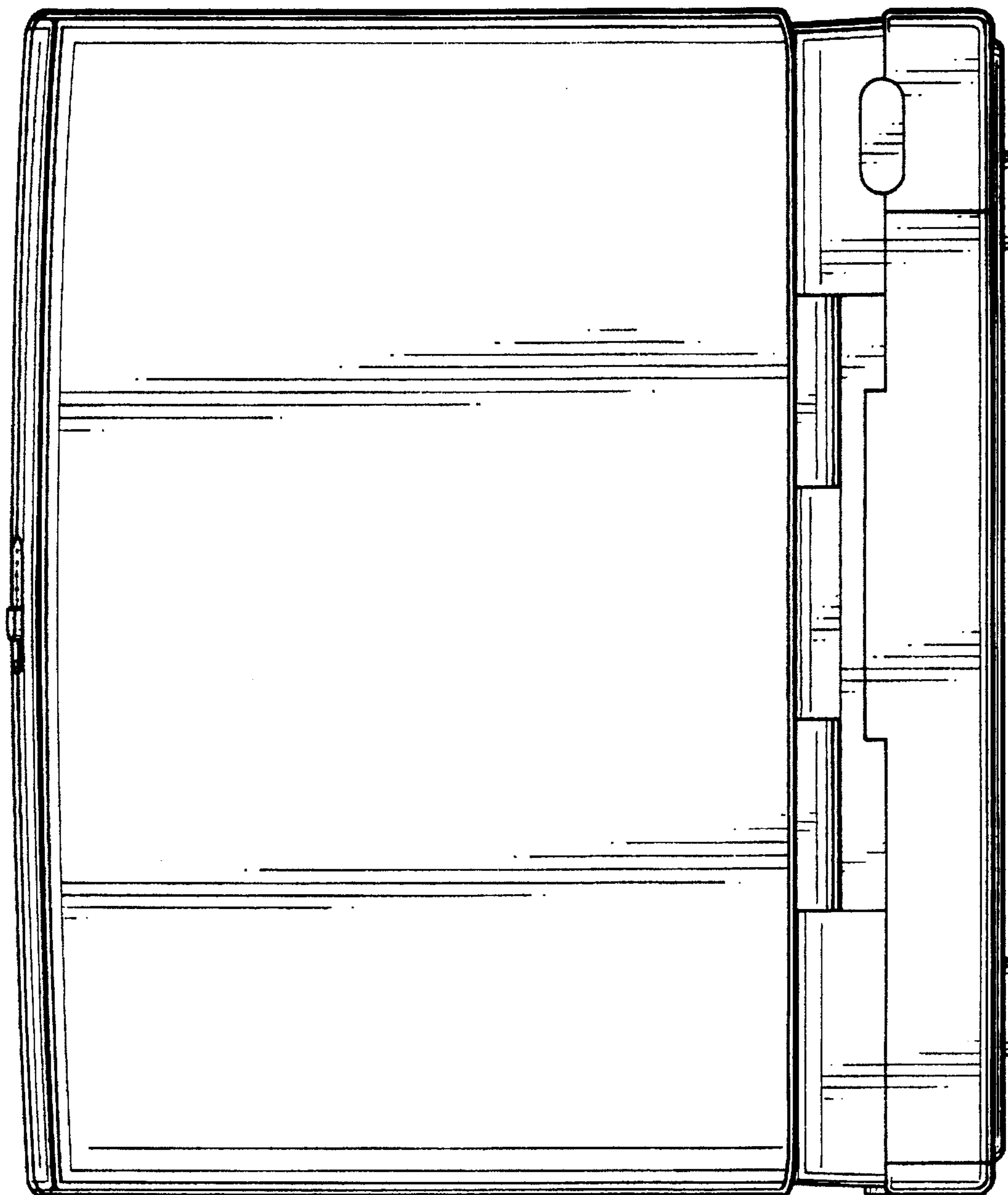


FIG. 5

FIG. 6

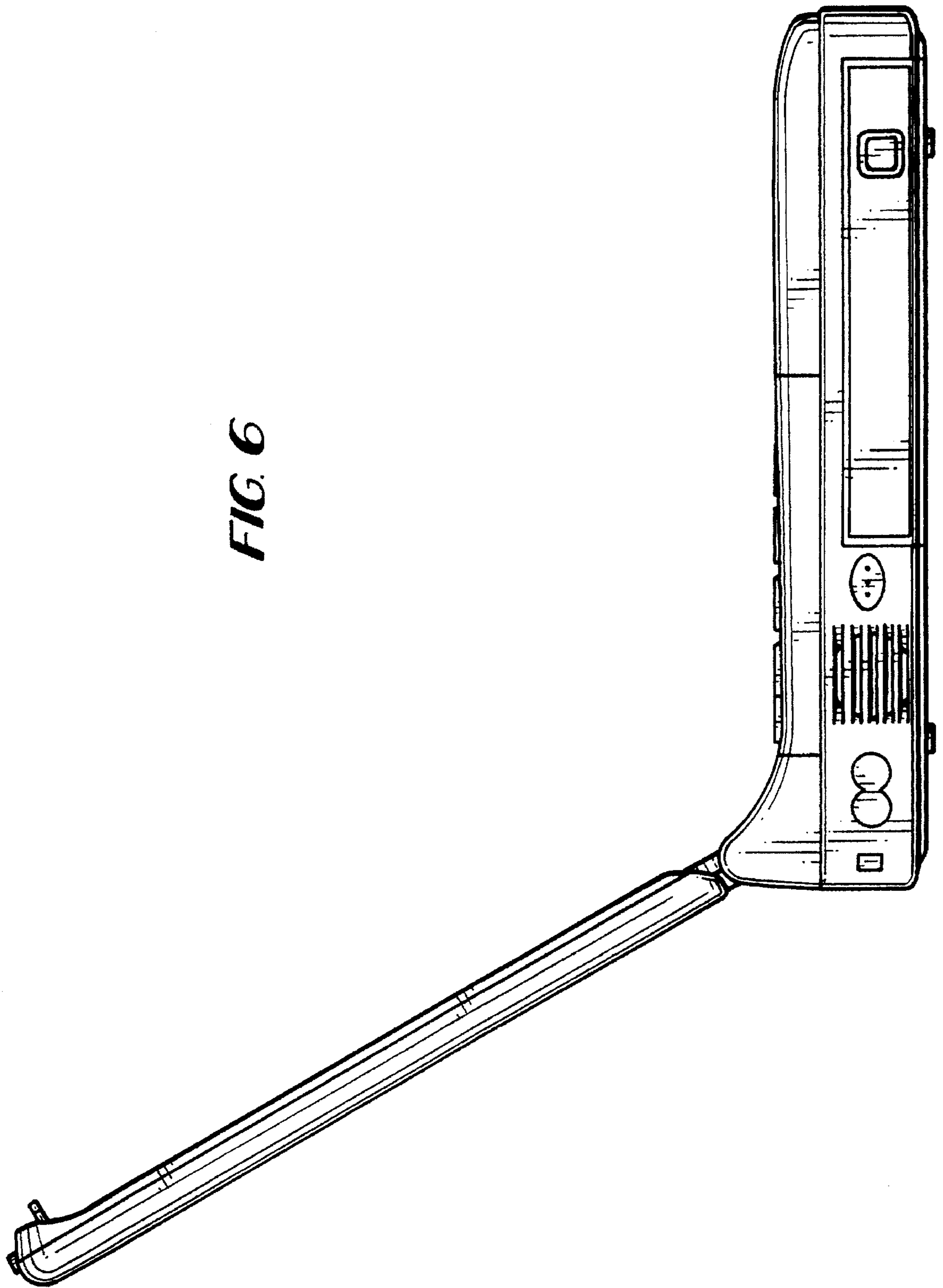


FIG. 7

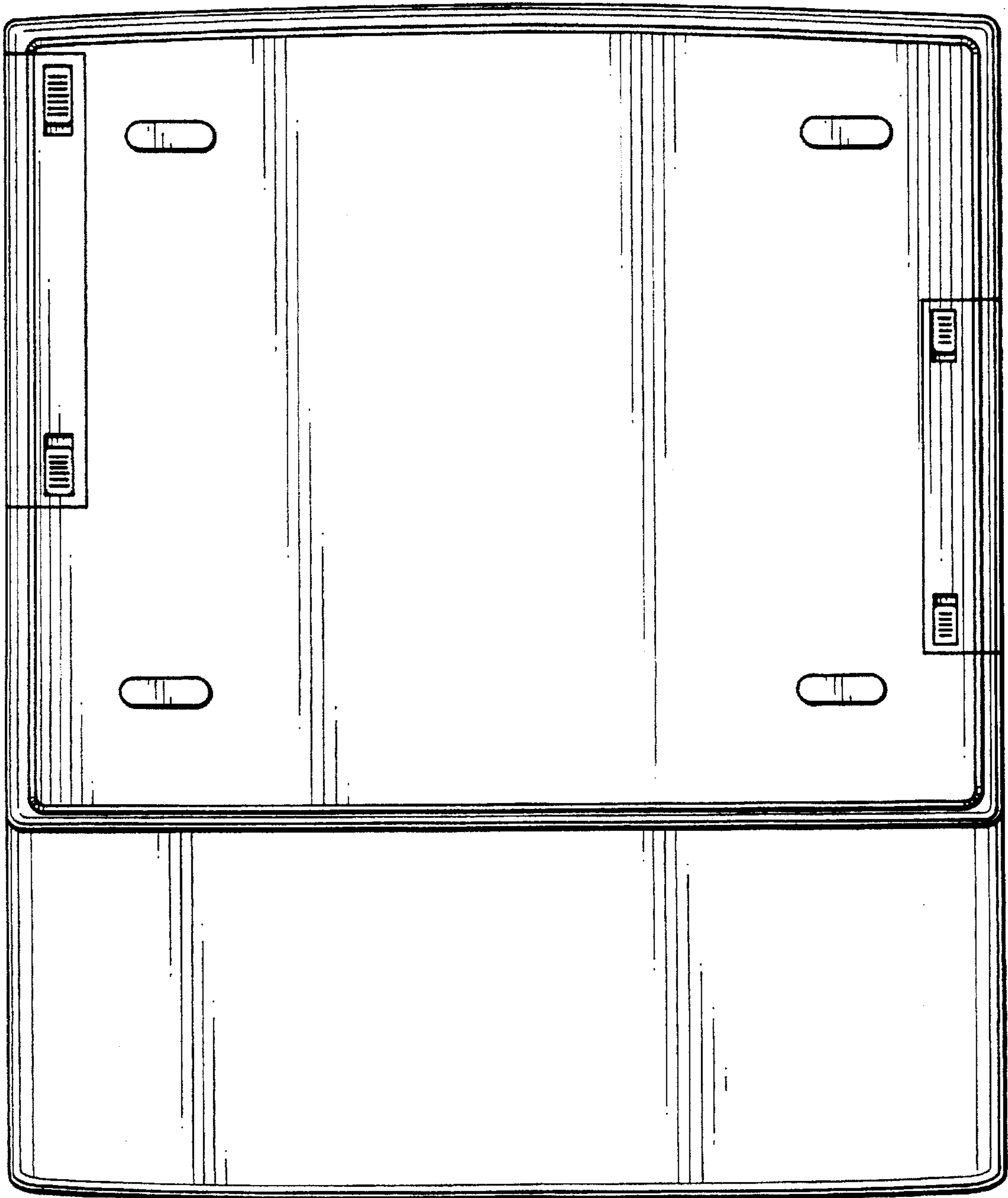


FIG. 8

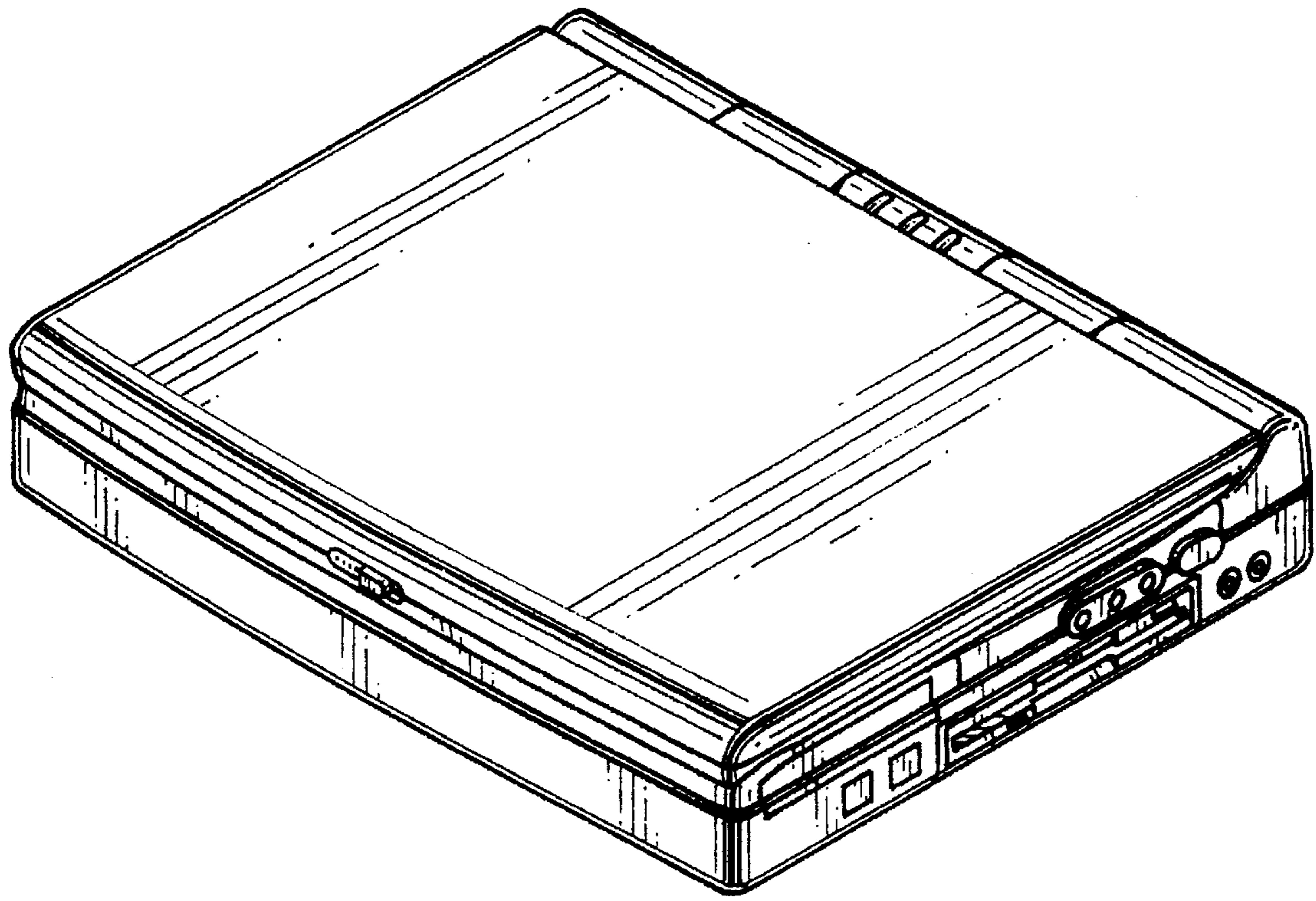
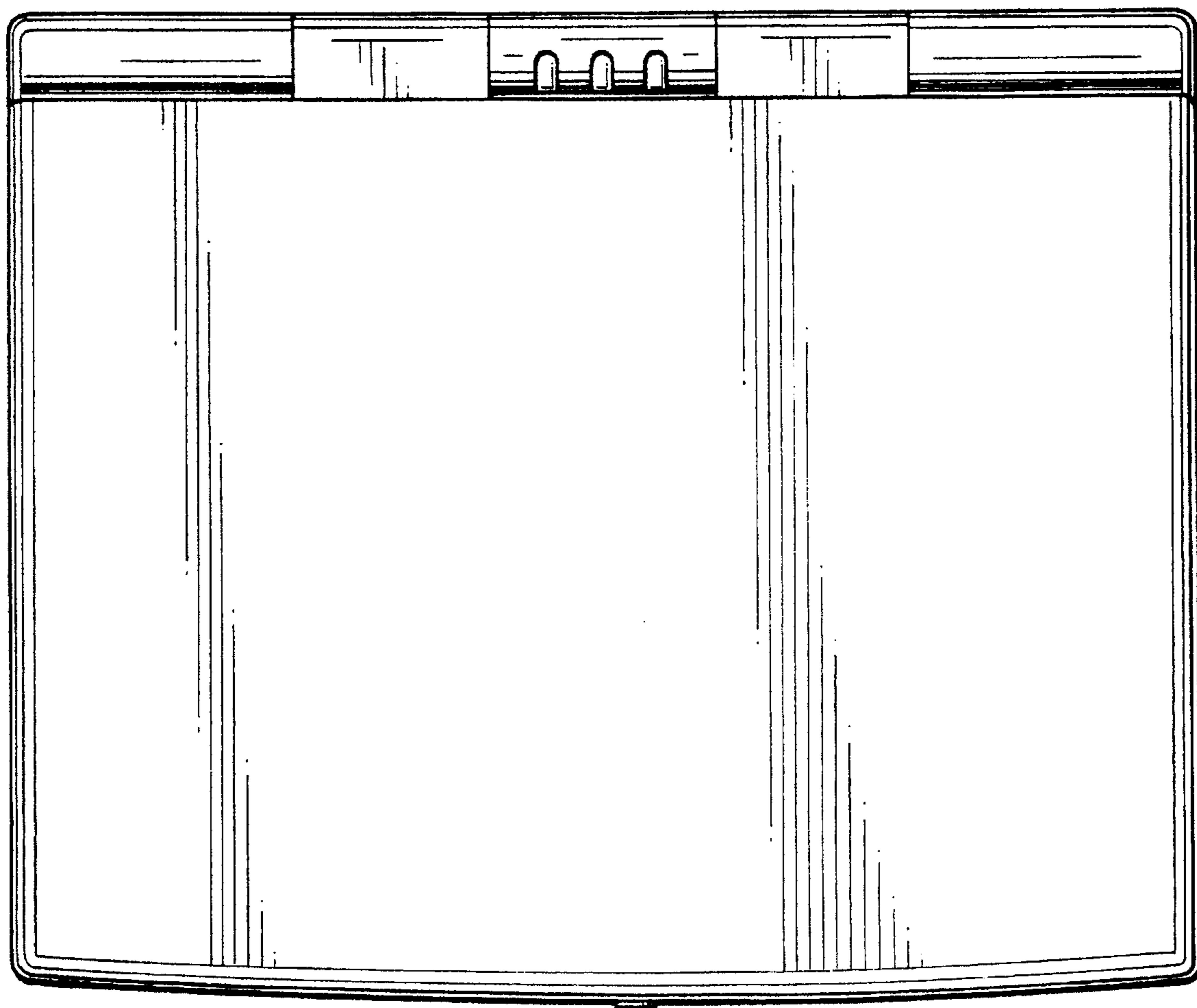


FIG. 9



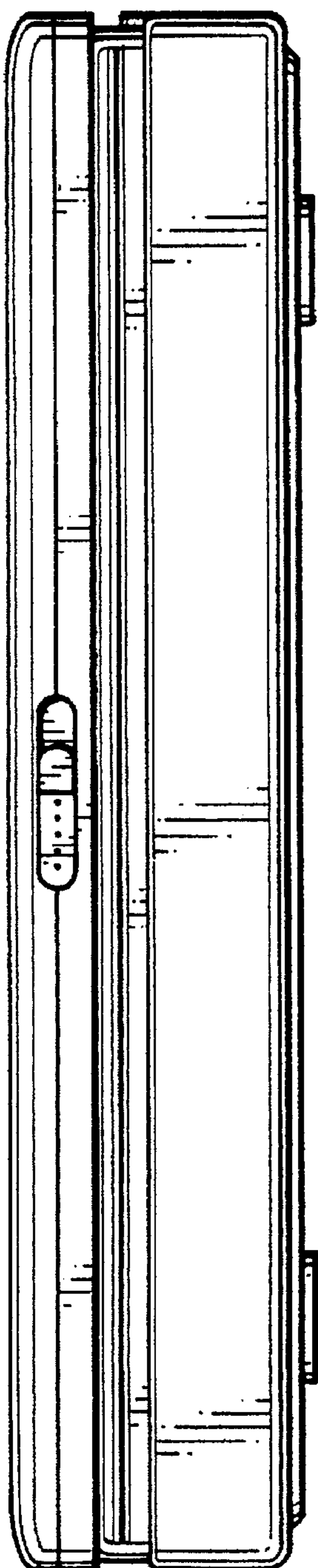


FIG. 10

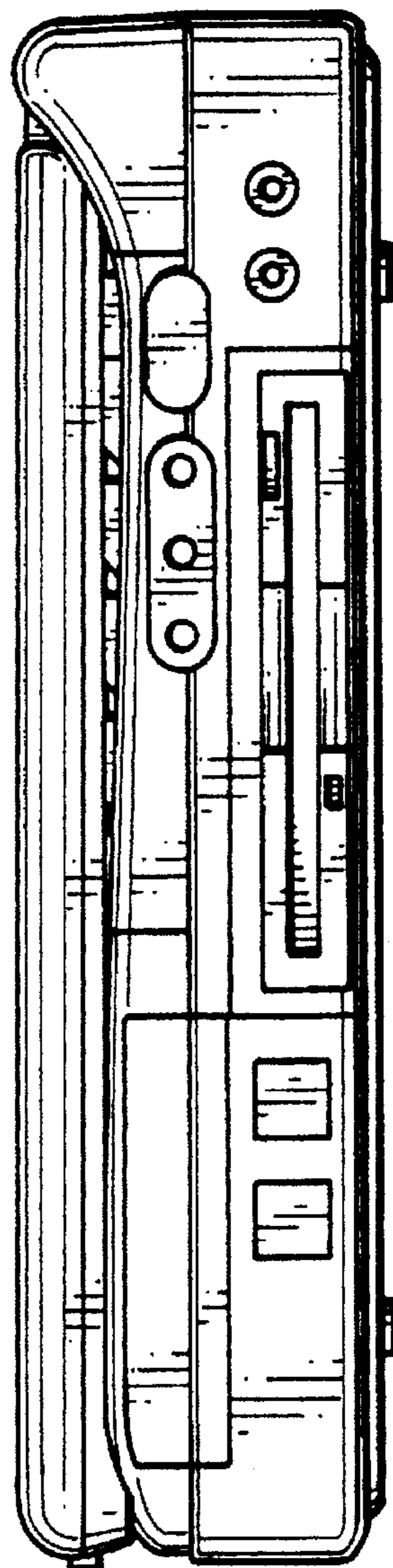


FIG. 11

FIG. 12

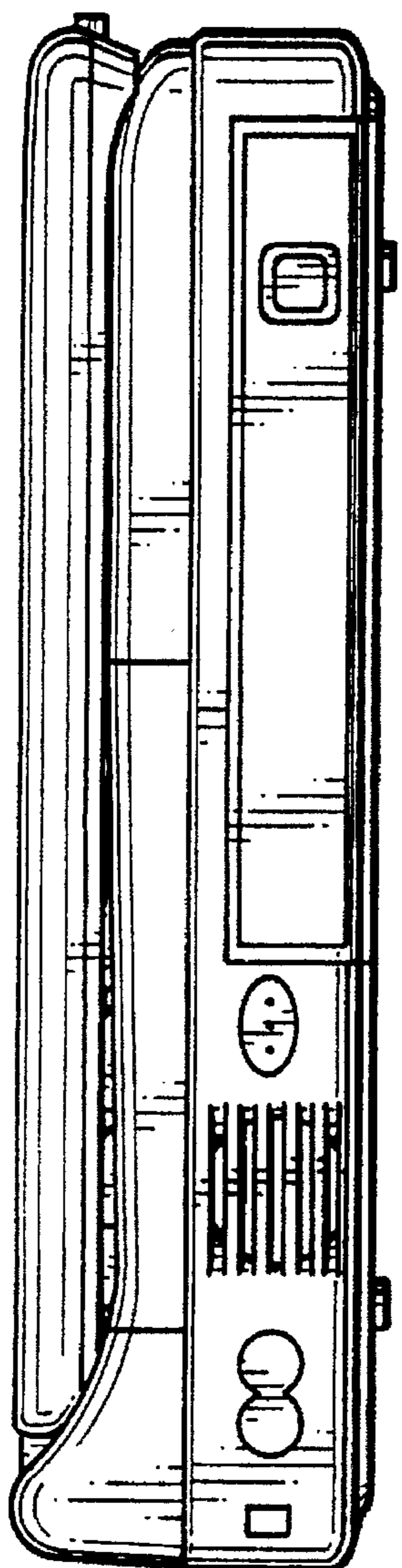


FIG. 13

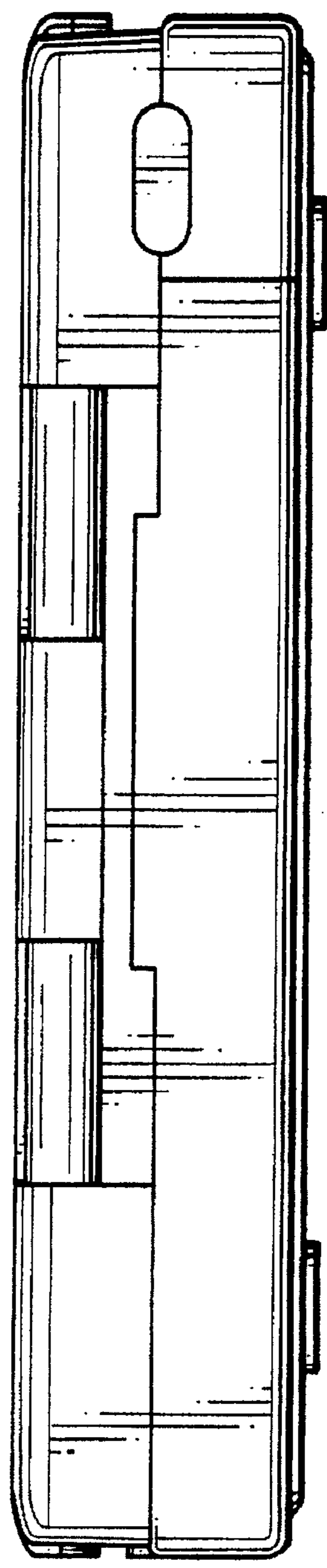


FIG. 14

