



US00D380458S

United States Patent [19]

[11] Patent Number: **Des. 380,458**

Takahashi et al.

[45] Date of Patent: ****Jul. 1, 1997**

[54] **PORTABLE PERSONAL COMPUTER**

D. 368,898 4/1996 Nakada D14/106

[75] Inventors: **Tomoyuki Takahashi**, Fujisawa;
Kazuhiko Yamazaki, Hiratsuka, both
of Japan; **Samuel Lucente**, Stamford,
Conn.

Primary Examiner—Freda Nunn
Attorney, Agent, or Firm—Daniel E. McConnell

[73] Assignee: **International Business Machines
Corporation**, Armonk, N.Y.

[57] **CLAIM**

The ornamental design for a portable personal computer, as shown and described.

[**] Term: **14 Years**

DESCRIPTION

[21] Appl. No.: **51,409**

FIG. 1 is a front, top and left side view of a portable personal computer according to the present invention with its lid being in open position;

[22] Filed: **Mar. 11, 1996**

FIG. 2 is a front elevational view thereof with its lid being in closed position;

[30] **Foreign Application Priority Data**

Sep. 11, 1995 [JP] Japan 7-26734

FIG. 3 is a rear elevational view thereof with its lid being in closed position;

[51] **LOC (6) Cl.** **14-02**

FIG. 4 is a top plan view thereof with its lid being in open position;

[52] **U.S. Cl.** **D14/106**

FIG. 5 is a bottom plan view thereof with its lid being in open position;

[58] **Field of Search** D14/100, 101,
D14/106, 113, 115, 124-127; D18/1, 2,
7; 235/145 A, 145 R; 341/22, 23; 345/104,
156, 168, 173; 361/679-686; 364/708.1,
709.04, 709.12; 400/486, 489

FIG. 6 is a left side elevational view thereof with its lid being in open position;

FIG. 7 is a right side elevational view thereof with its lid being in open position; and,

[56] **References Cited**

FIG. 8 is a front, top and left side view of the computer system of the present invention with its lid being in closed position.

U.S. PATENT DOCUMENTS

D. 359,275 6/1995 Yamazaki D14/106

1 Claim, 6 Drawing Sheets

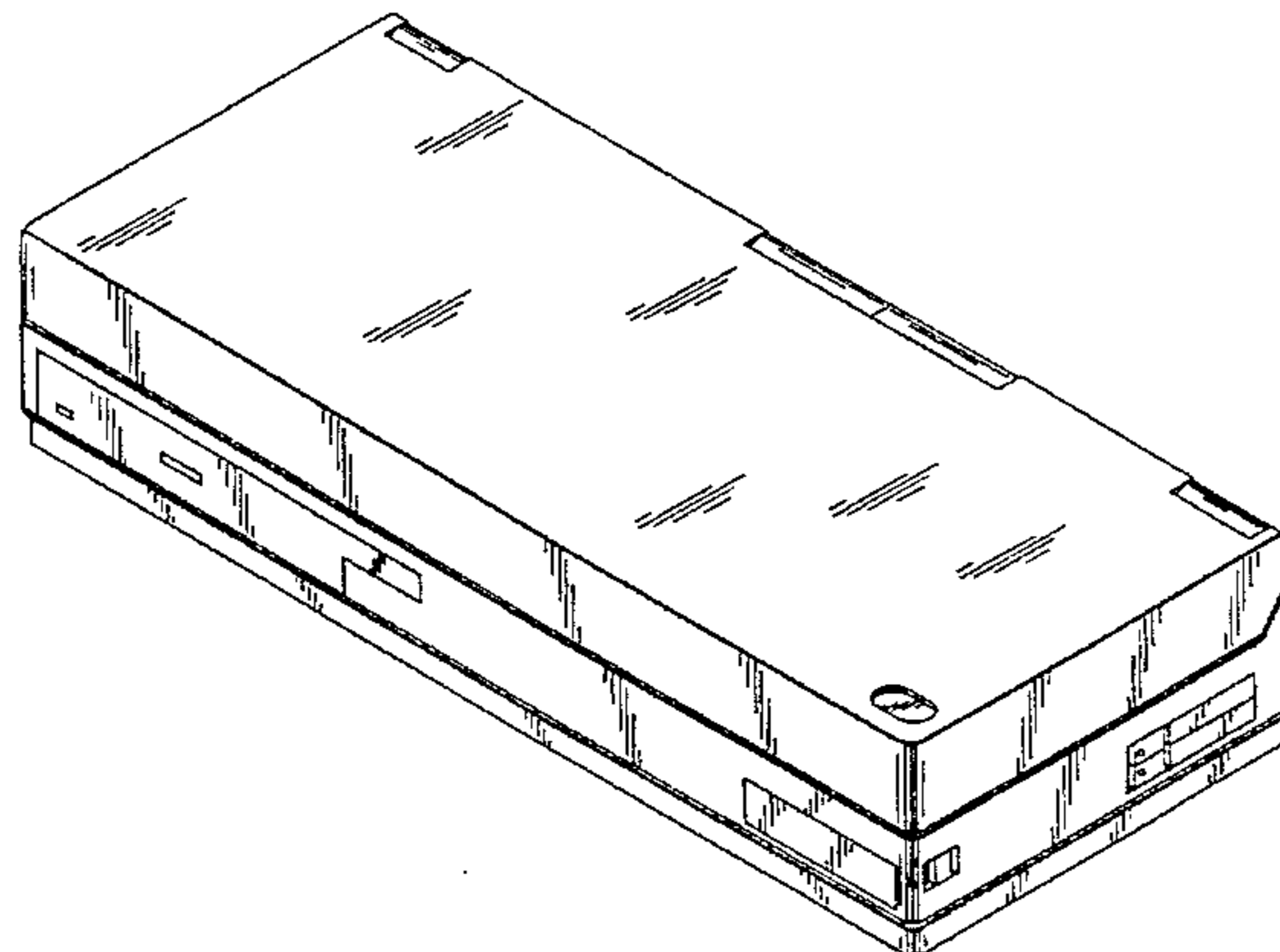
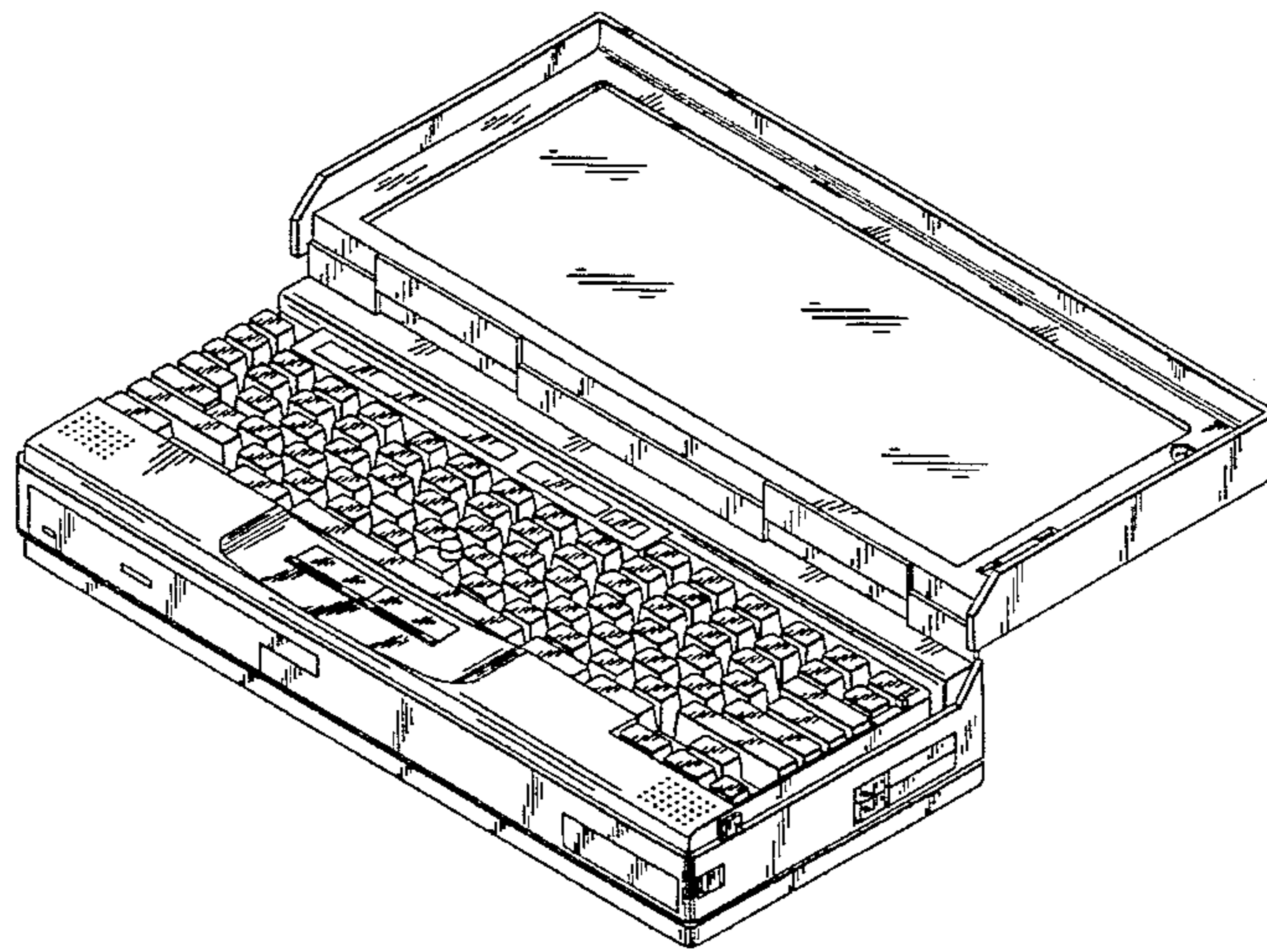


FIG. 1

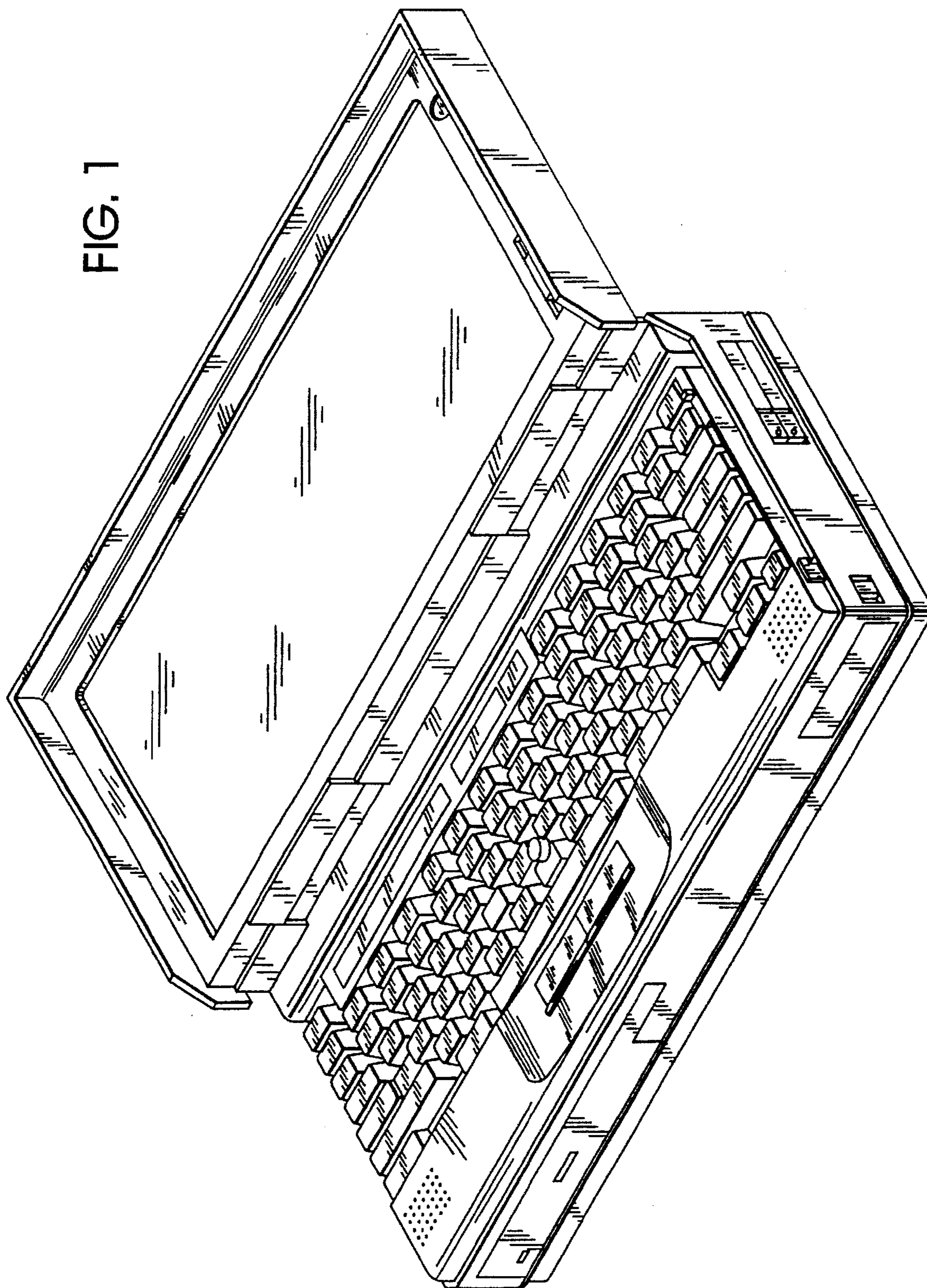


FIG. 2

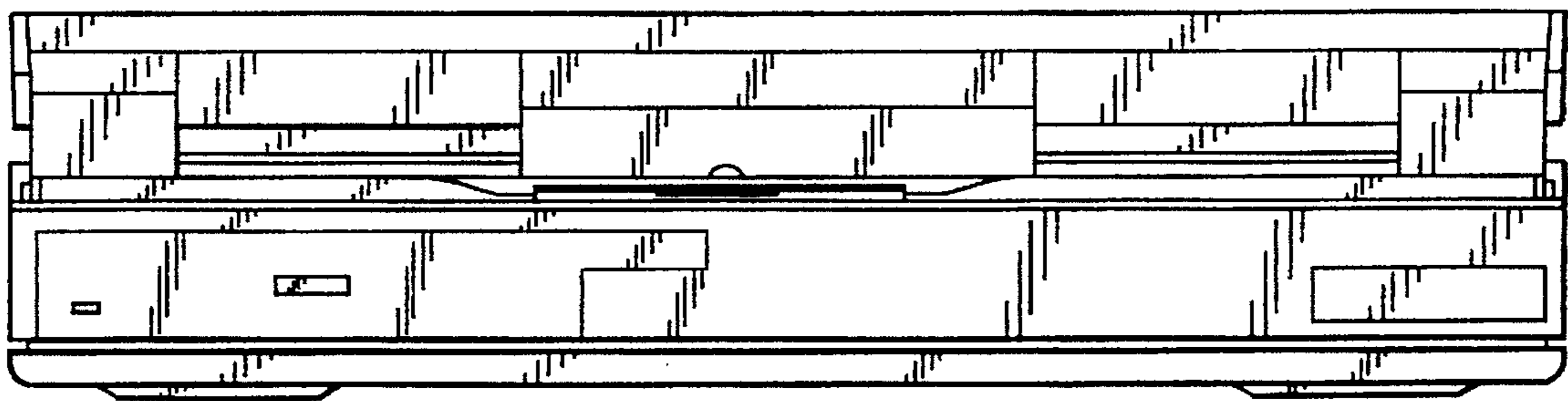


FIG. 3

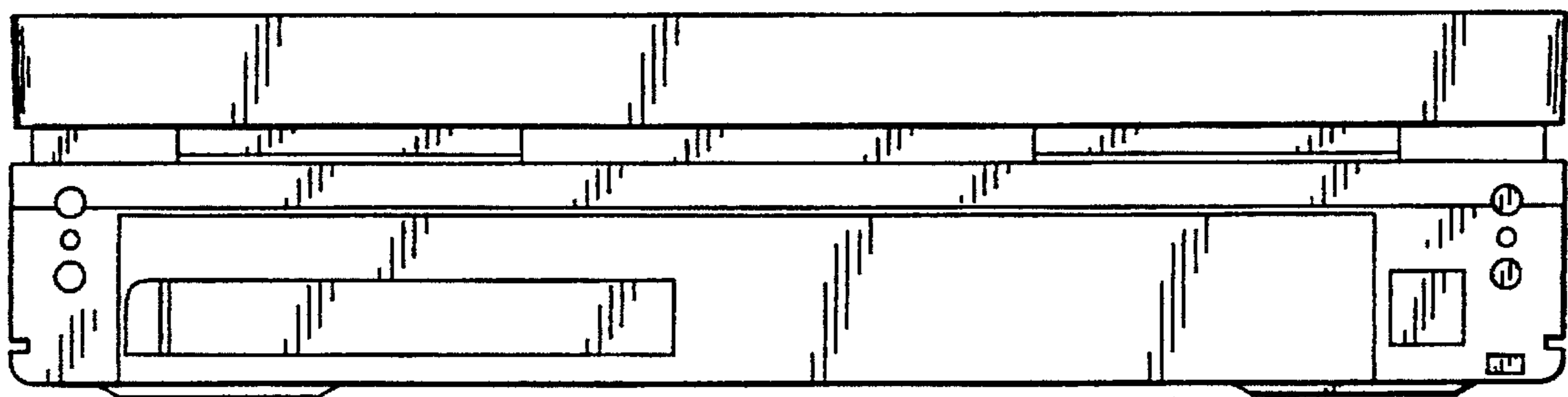


FIG. 4

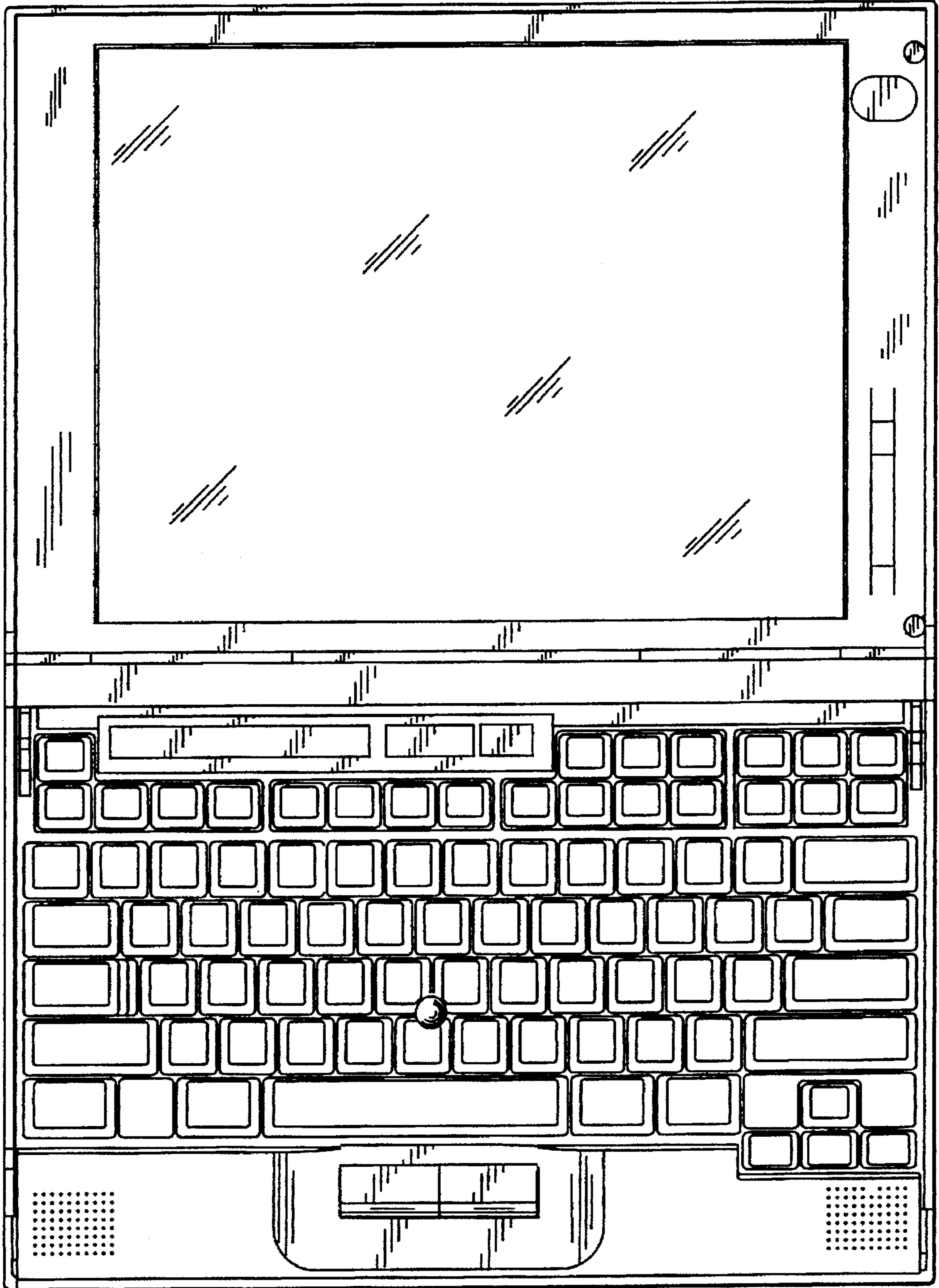


FIG. 5

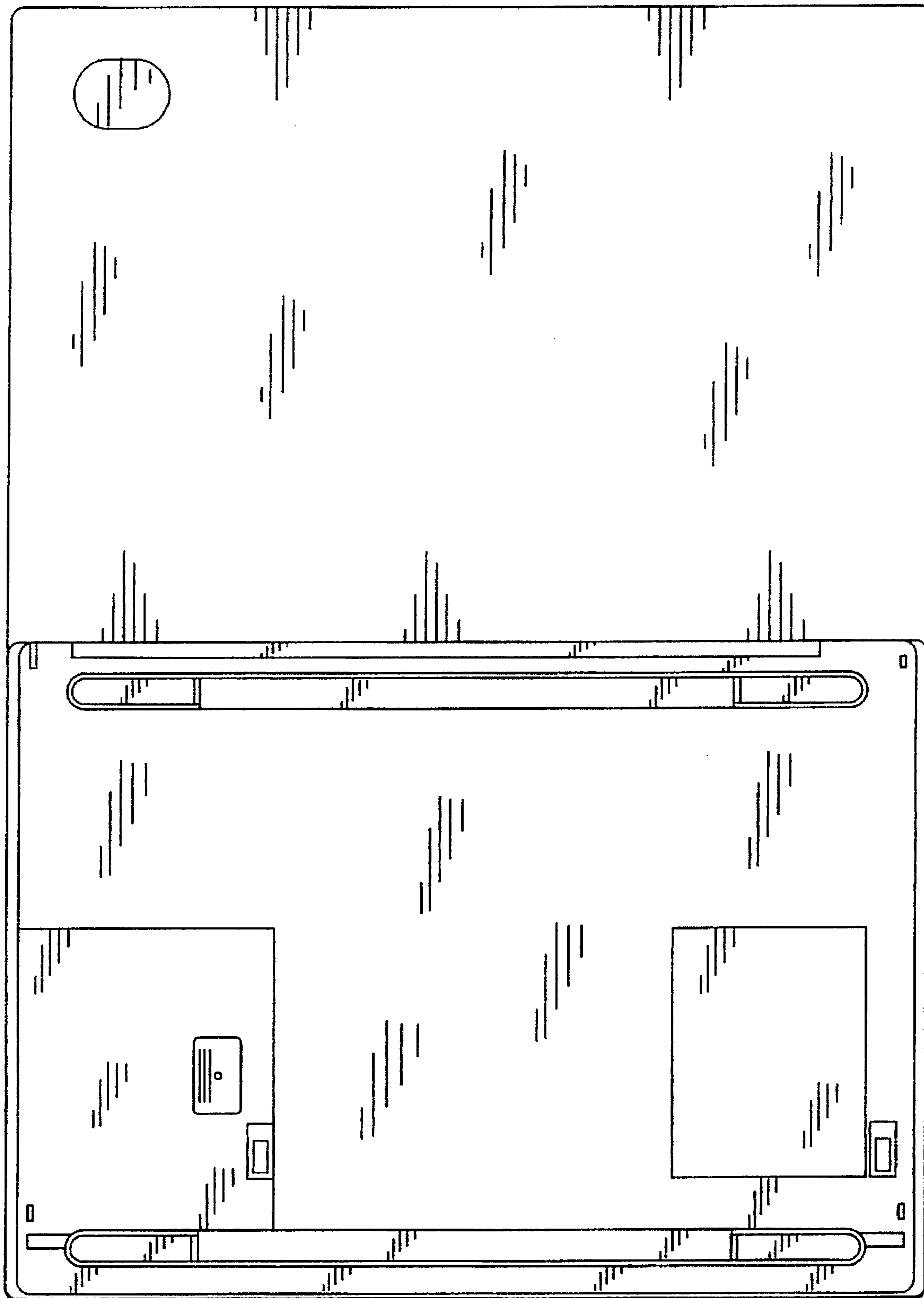


FIG. 6

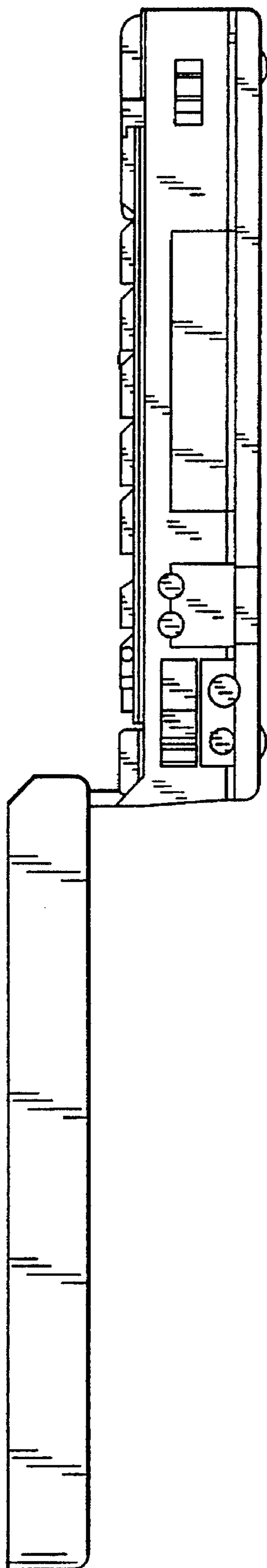


FIG. 7

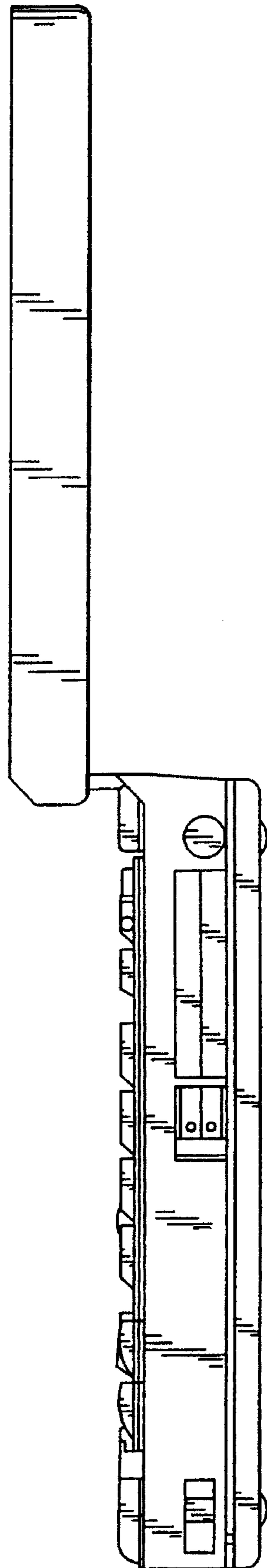


FIG. 8

