



US00D380457S

United States Patent [19]

[11] Patent Number: **Des. 380,457**

Senturia et al.

[45] Date of Patent: ****Jul. 1, 1997**

[54] FREE STANDING BI-LEVEL PERSONAL COMPUTER STATION

[75] Inventors: **Neil R. Senturia**, La Jolla; **James P. Nicholas**; **Dennis T. Rogers**, both of San Diego, all of Calif.

[73] Assignee: **Senturia Investments, Inc.**, San Diego, Calif.

[**] Term: **14 Years**

[21] Appl. No.: **50,401**

[22] Filed: **Feb. 16, 1996**

[51] LOC (6) Cl. **14-02**

[52] U.S. Cl. **D14/103**

[58] Field of Search D14/100, 102, D14/103, 107-109; D13/162, 184, 199; D21/253; D6/432, 436, 445, 448; 312/208.1, 223.2, 254, 292; 360/97.01, 97.04, 98.01, 99.01, 99.12; 361/680-686; D20/10

[56] References Cited

U.S. PATENT DOCUMENTS

| | | | | |
|------------|---------|---------------|-------|-----------|
| D. 214,274 | 5/1969 | Gianfagna | | D14/103 |
| D. 330,544 | 10/1992 | Kane | | D14/103 |
| D. 331,918 | 12/1992 | Massey | | D14/100 |
| D. 337,315 | 7/1993 | Riza | | D14/100 |
| D. 339,329 | 9/1993 | Lacko | | D14/103 |
| D. 351,160 | 10/1994 | Massey et al. | | D14/102 X |
| 2,926,676 | 3/1960 | Kleinau | | D21/253 X |
| 3,176,698 | 4/1965 | Warner | | D21/253 X |
| 4,179,723 | 12/1979 | Spencer | | D14/102 X |
| 5,348,324 | 9/1994 | Trotta | | D14/103 X |

Attorney, Agent, or Firm—Baker, Maxham, Jester & Meador

[57] CLAIM

The ornamental design for a free standing bi-level personal computer station, as shown and described.

DESCRIPTION

FIG. 1 is a perspective view of a free standing bi-level personal computer station, showing our new design, and in particular the front thereof configured for utilization by a seated individual;

FIG. 2 is a perspective view of the computer station of FIG. 1, showing our new design, and in particular, the rear thereof configured for utilization by a standing individual;

FIG. 3 is a rear elevation view of the computer station of FIGS. 1 and 2;

FIG. 4 is a front elevation view of the computer station of FIGS. 1 and 2;

FIG. 5 is a side elevation view of the computer station of FIGS. 1 and 2 taken from the right hand side of FIG. 3;

FIG. 6 is a side elevation view of the computer station of FIGS. 1 and 2 taken from the left hand side of FIG. 3;

FIG. 7 is a top plan view of the computer station of FIGS. 1 and 2;

FIG. 8 is a bottom plan view of the computer station of FIGS. 1 and 2;

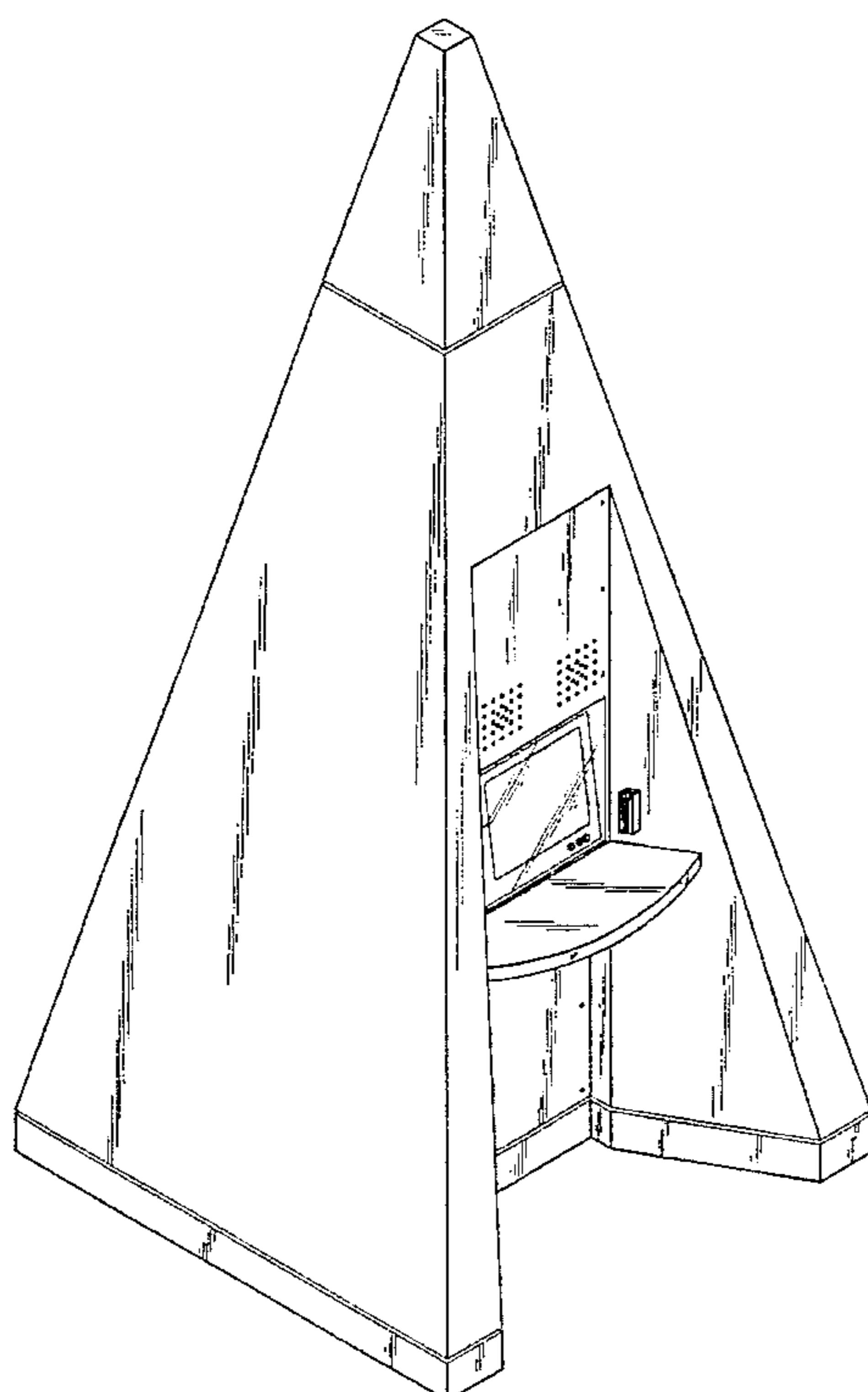
FIG. 9 is a fragmentary front elevation view of an alternate embodiment of our computer station which is similar in all respects to the embodiment illustrated in FIGS. 1-8 except that the alternate embodiment includes a shorter upper cap;

FIG. 10 is a side elevation view of the alternate embodiment of FIG. 9 taken from the right hand side of FIG. 9; and,

FIG. 11 is a perspective view of the alternate embodiment partially illustrated in FIGS. 9 and 10.

Primary Examiner—Freda Nunn

1 Claim, 9 Drawing Sheets



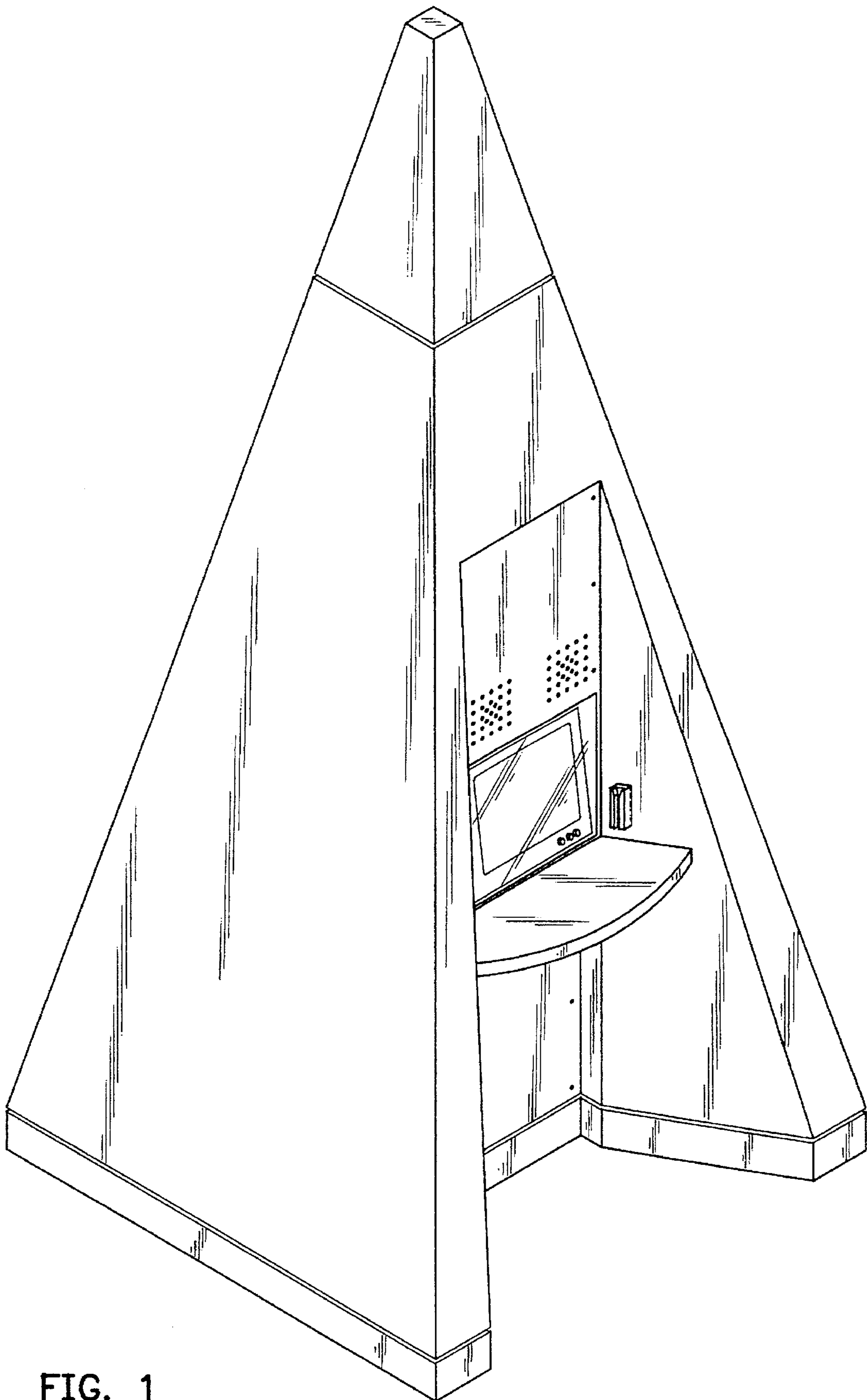


FIG. 1

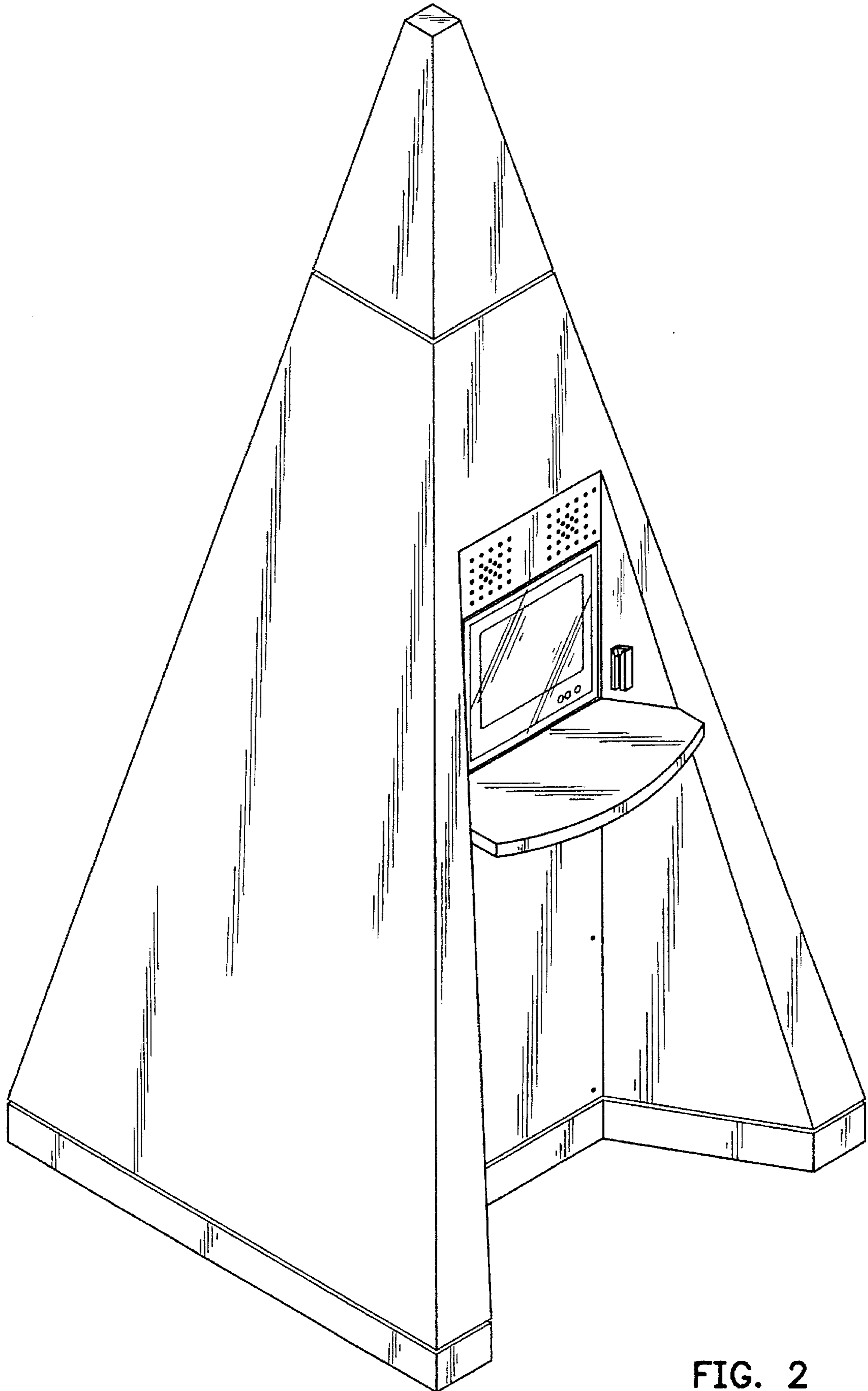


FIG. 2

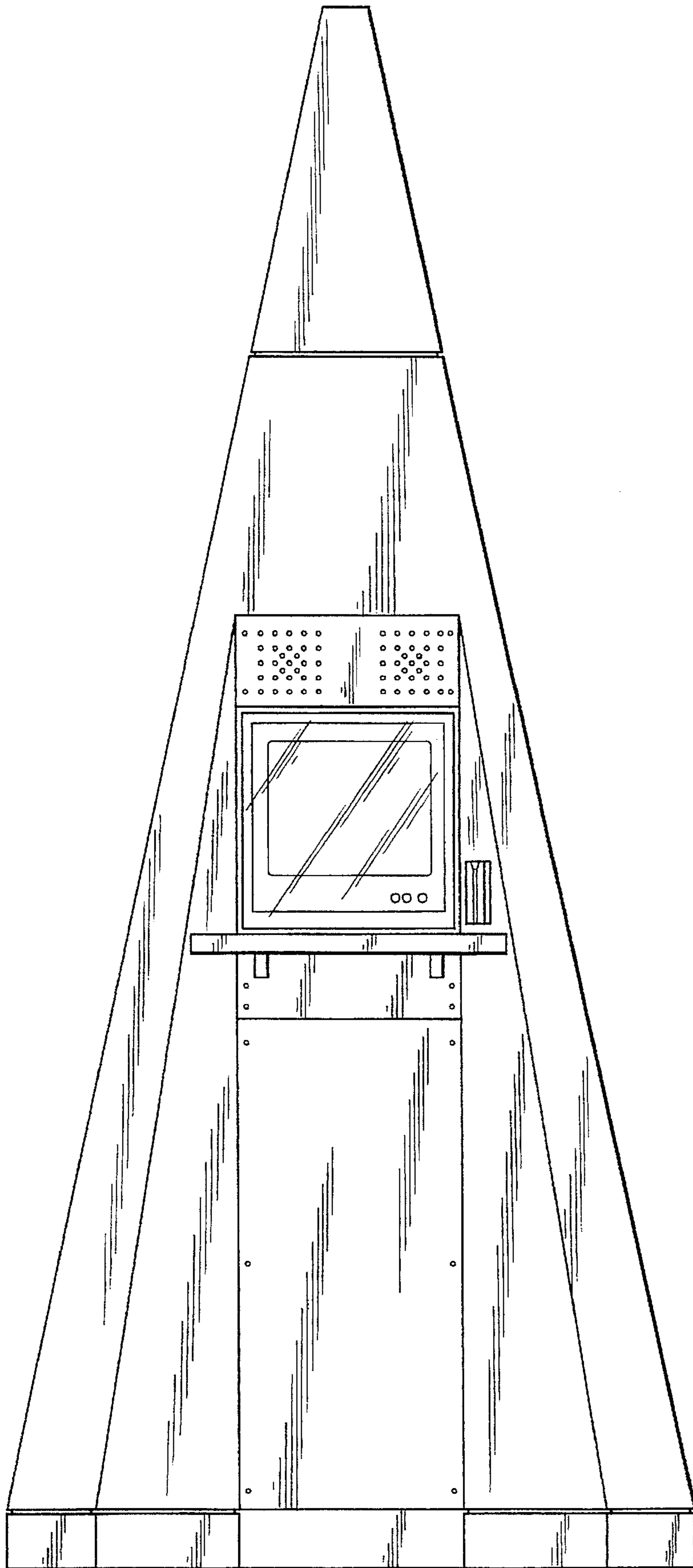


FIG. 3

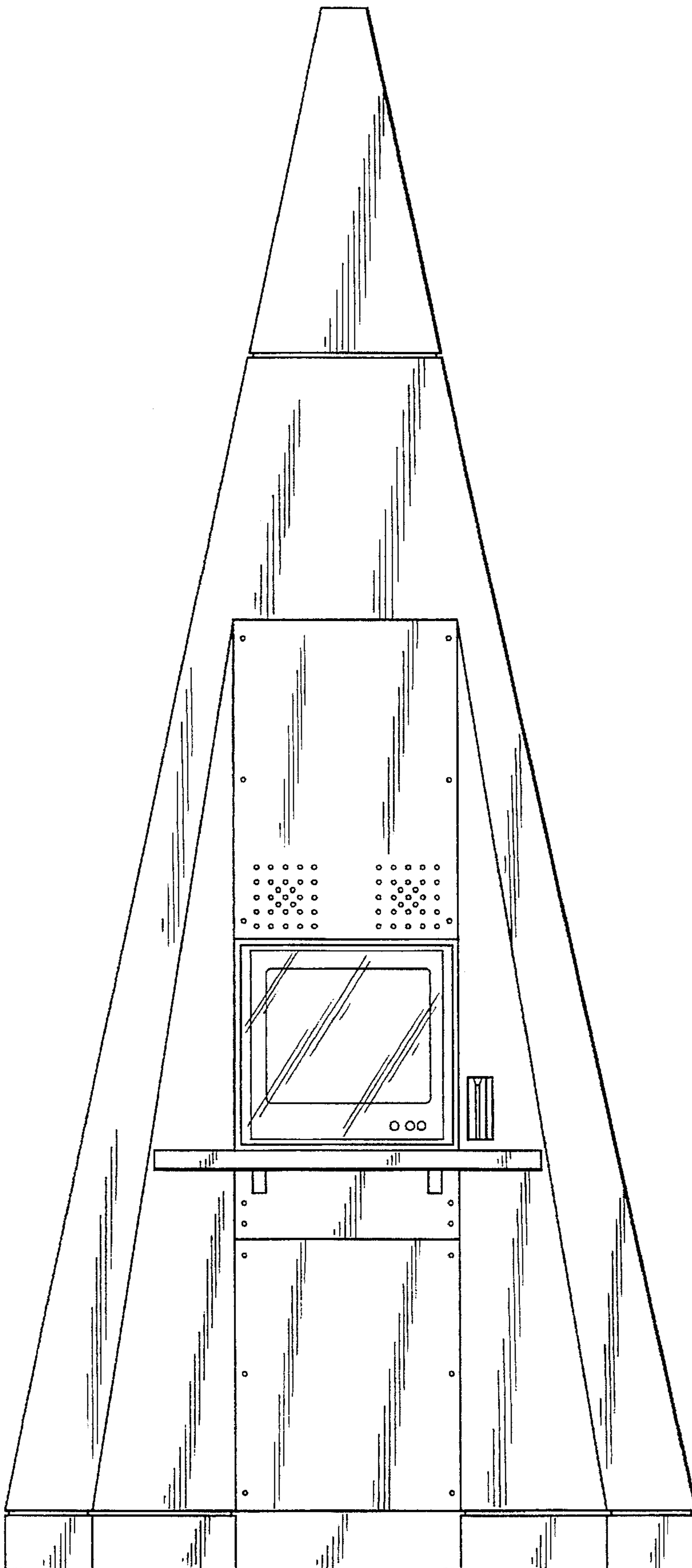


FIG. 4

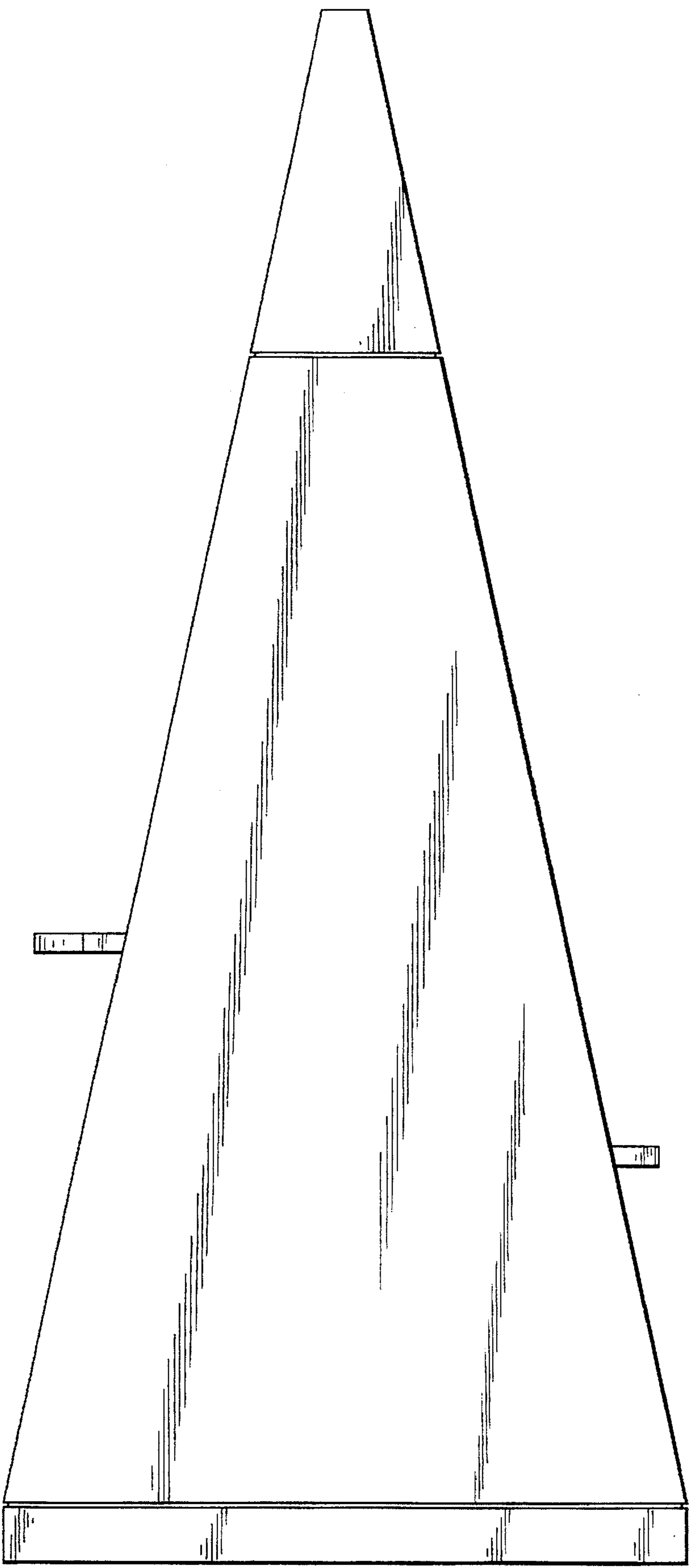


FIG. 5

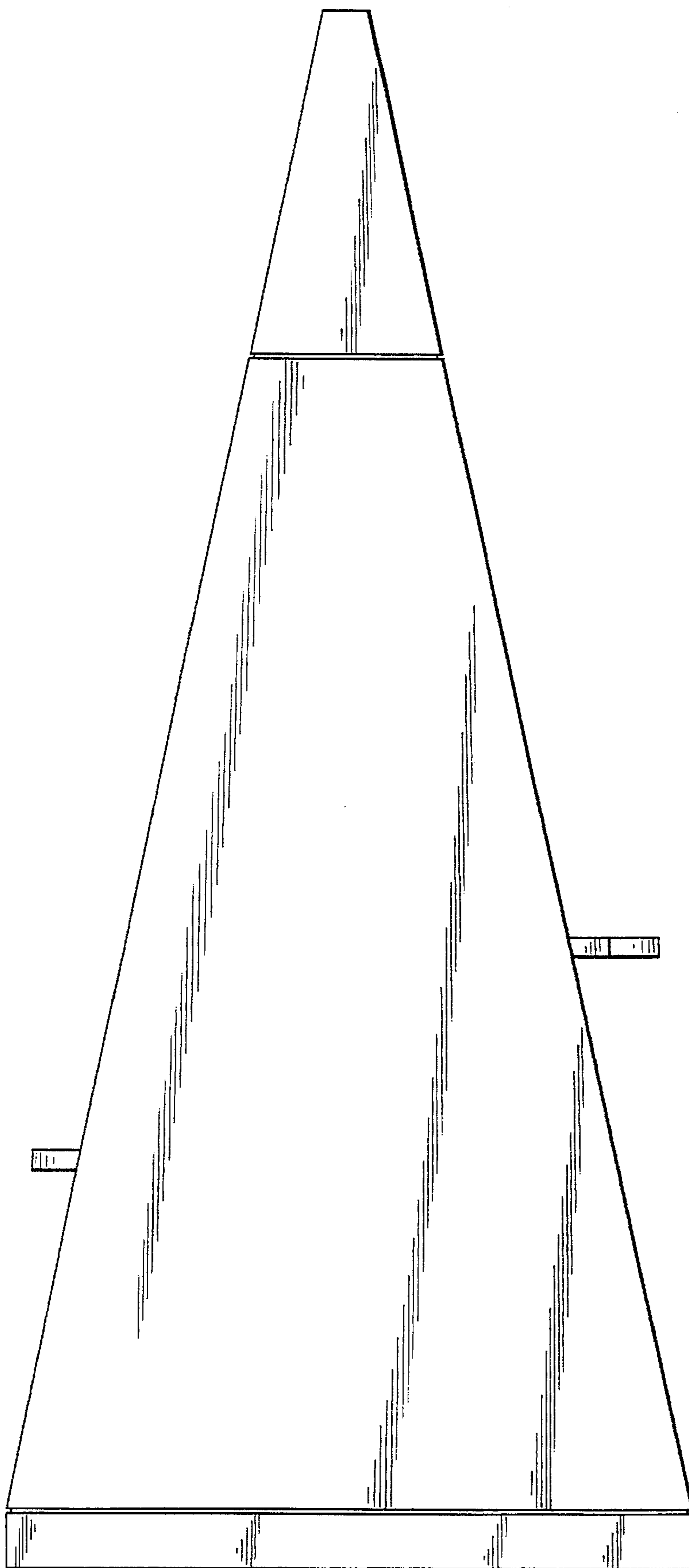


FIG. 6

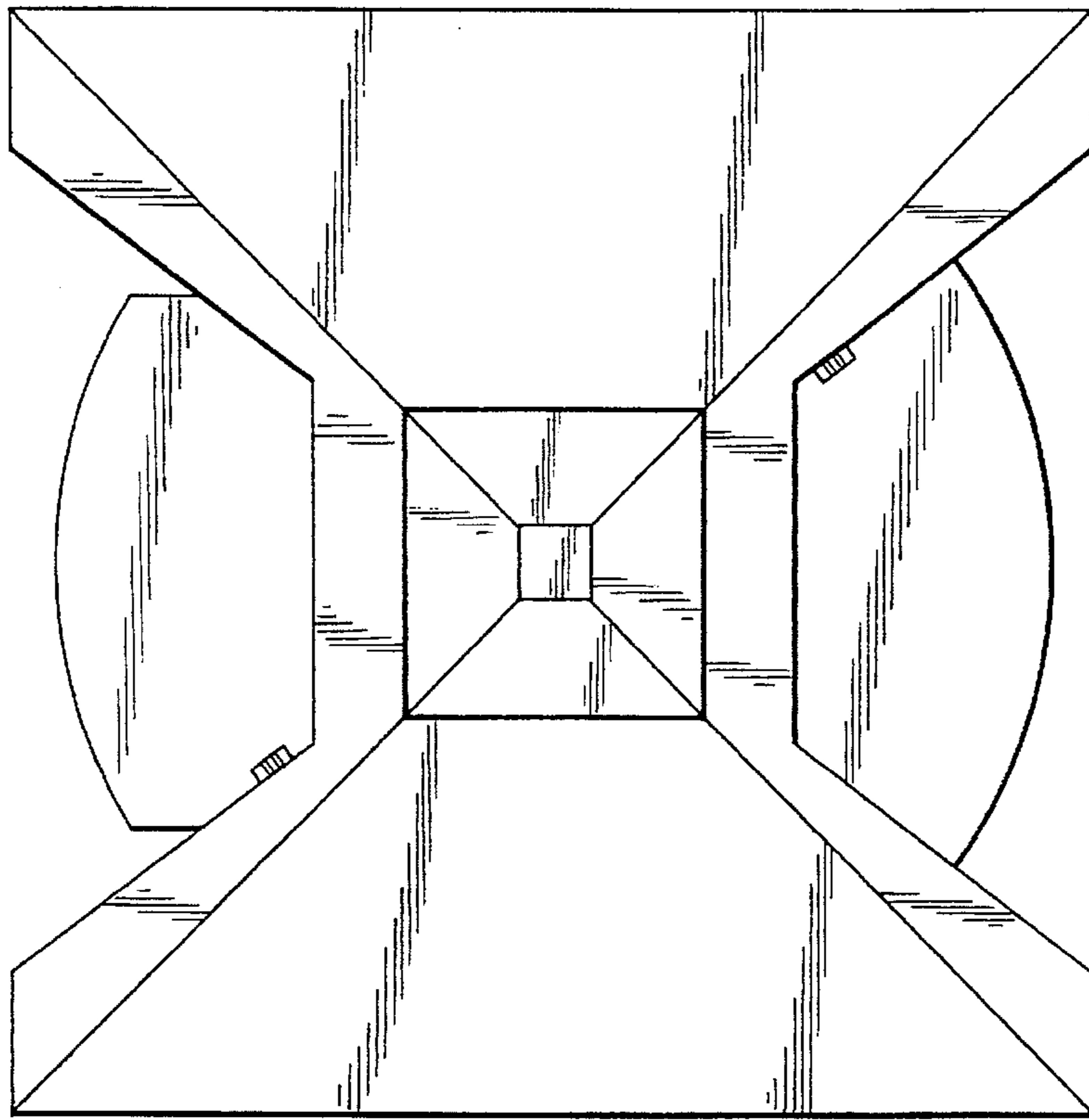


FIG. 7

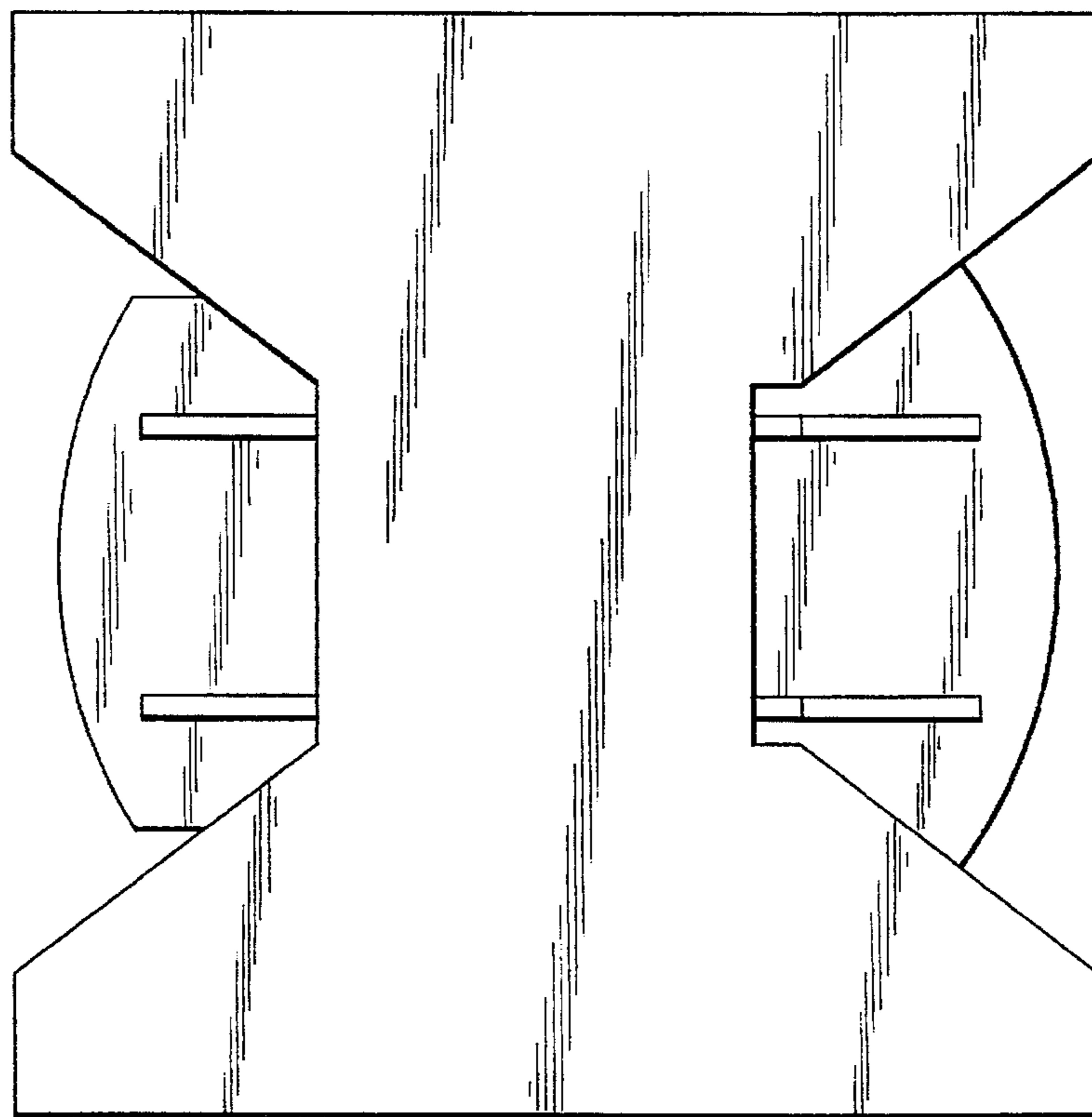


FIG. 8

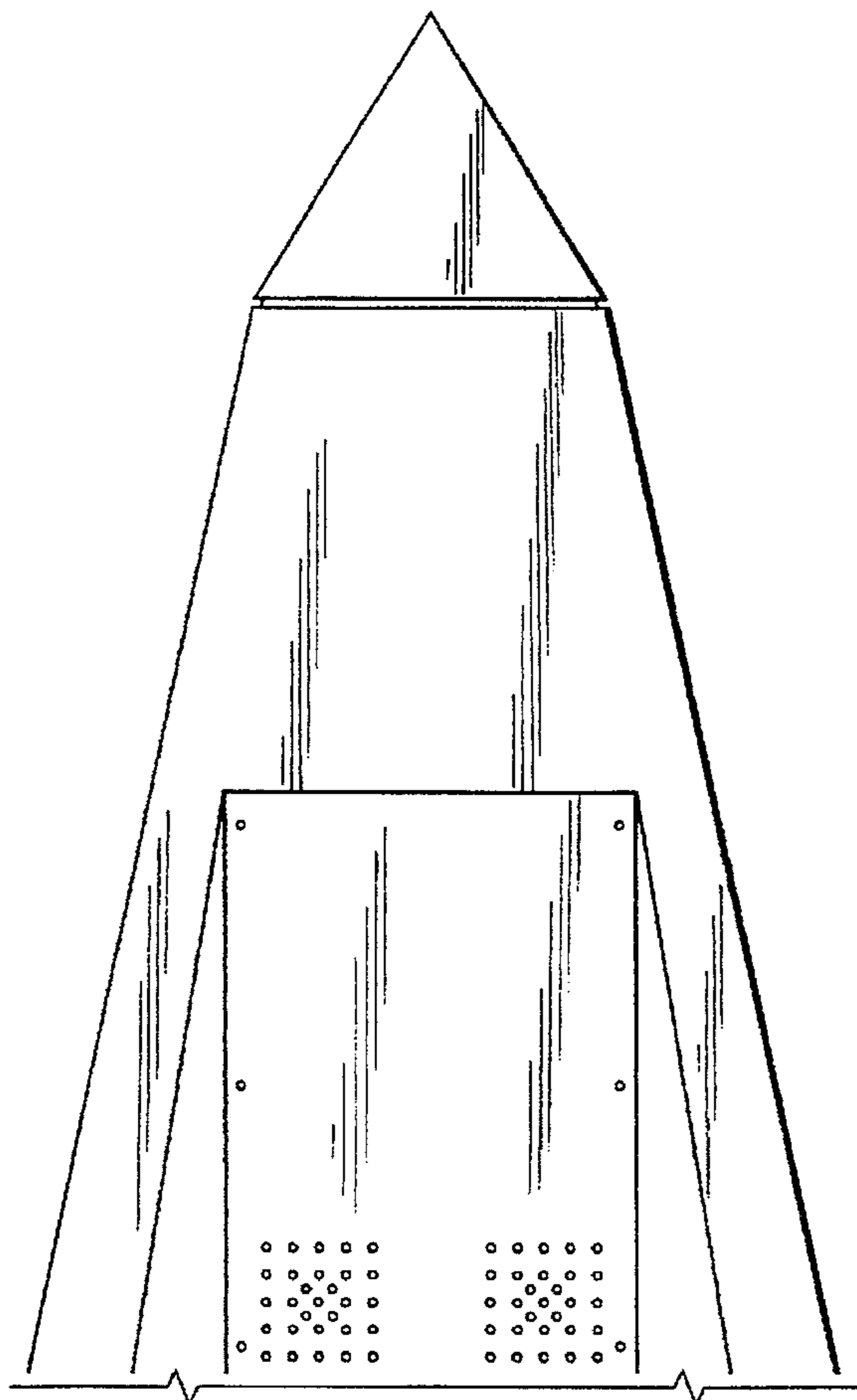


FIG. 9

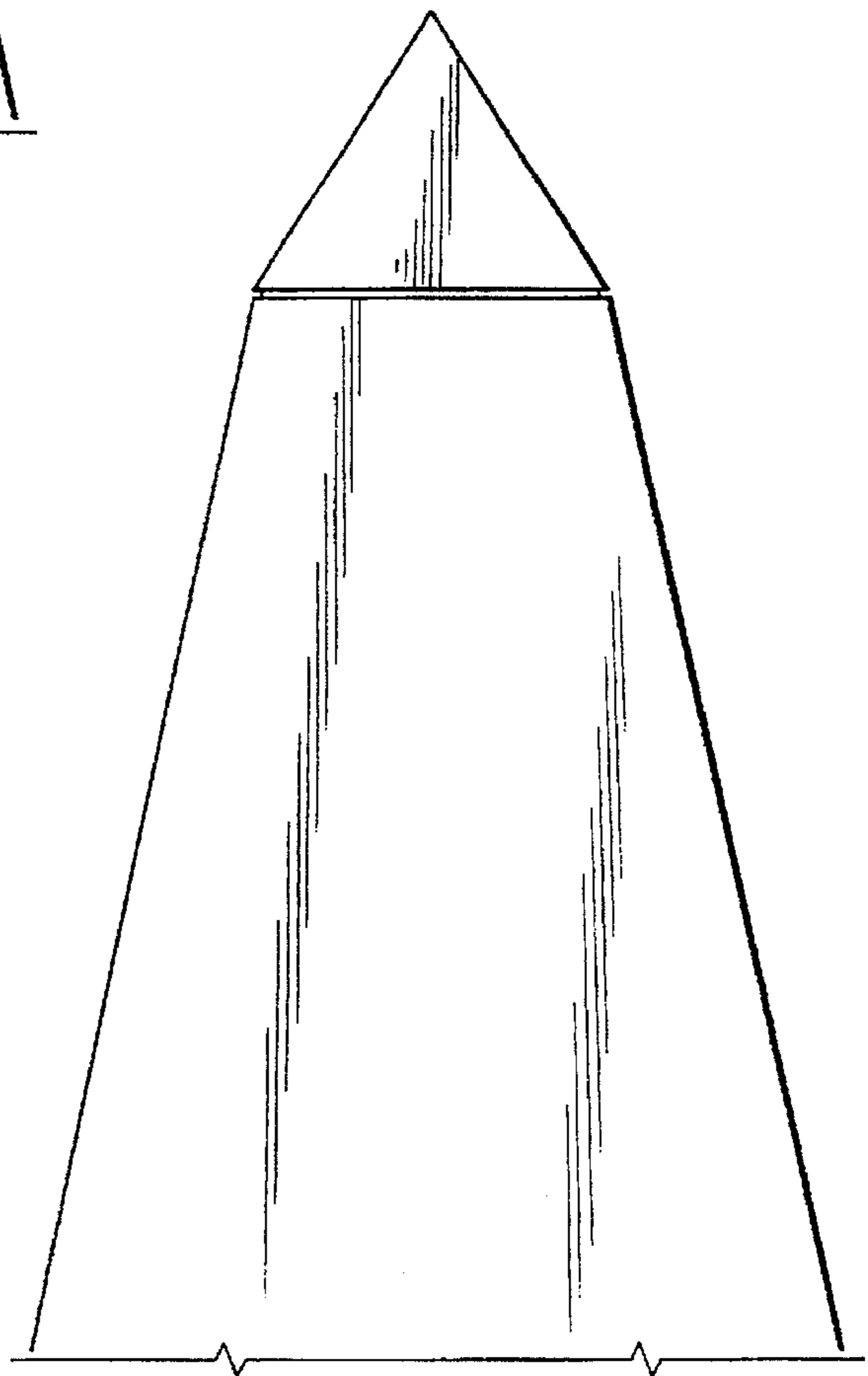


FIG. 10

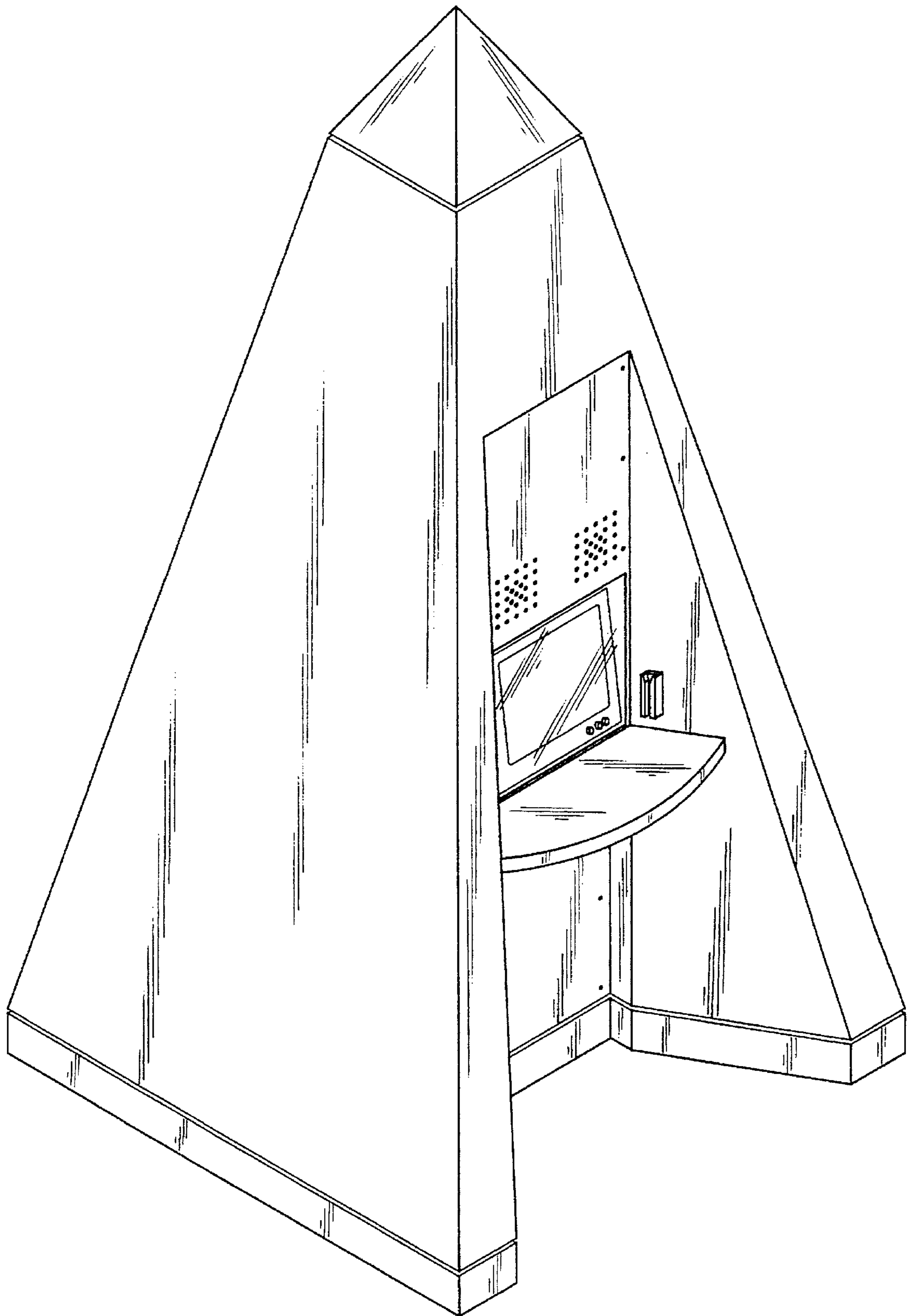


FIG. 11