



US00D380456S

United States Patent [19]

Coster et al.

[11] Patent Number: **Des. 380,456**

[45] Date of Patent: ****Jul. 1, 1997**

[54] COMPUTER ENCLOSURE

[75] Inventors: **Daniel J. Coster**, San Francisco;
Timothy J. Parsey, Palo Alto, both of Calif.

[73] Assignee: **Apple Computer, Inc.**, Cupertino, Calif.

[**] Term: **14 Years**

[21] Appl. No.: **46,185**

[22] Filed: **Nov. 8, 1995**

[51] LOC (6) Cl. **14-02**

[52] U.S. Cl. **D14/113; D14/113**

[58] Field of Search D14/100, 101,
D14/106, 113, 115, 124-129; 345/104,
156, 168, 173, 133; 364/708.1, 709.04,
709.12; 358/249, 254, 255; 361/679-686

[56] References Cited

U.S. PATENT DOCUMENTS

D. 354,282	1/1995	Koo et al.	D14/126
D. 358,372	5/1995	Goodrich et al.	D14/100
D. 361,550	8/1995	Mundt et al.	D14/100
D. 364,146	11/1995	Esslinger	D14/100

Primary Examiner—Freda Nunn

Attorney, Agent, or Firm—David J. Larwood

[57] CLAIM

The ornamental design for a computer enclosure, as shown and described.

DESCRIPTION

FIG. 1 is a front, top, left side perspective view of a computer enclosure showing our new design;

FIG. 2 is a rear, top, left side perspective view of FIG. 1;

FIG. 3 is a left side elevational view of FIG. 1;

FIG. 4 is a right side elevational view of FIG. 1;

FIG. 5 is a front elevational view of FIG. 1;

FIG. 6 is a rear elevational view of FIG. 1;

FIG. 7 is a top plan view of FIG. 1;

FIG. 8 is a bottom plan view of FIG. 1;

FIG. 9 is a front, top, left side perspective view of FIG. 1 wherein a telephone and input device are shown in broken lines;

FIG. 10 is a front, top, left side perspective view of FIG. 1 wherein a keyboard and cord are shown in broken lines;

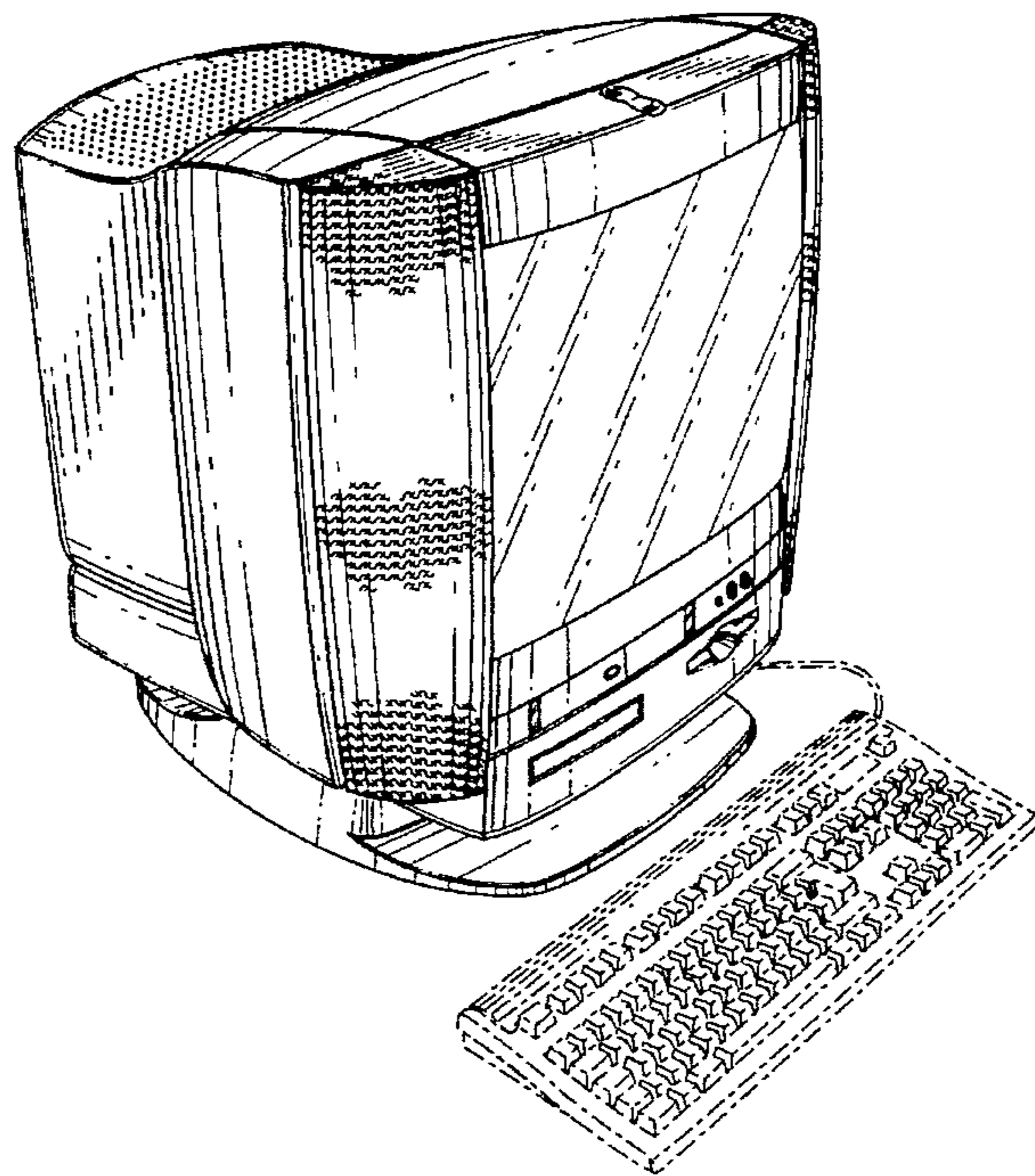
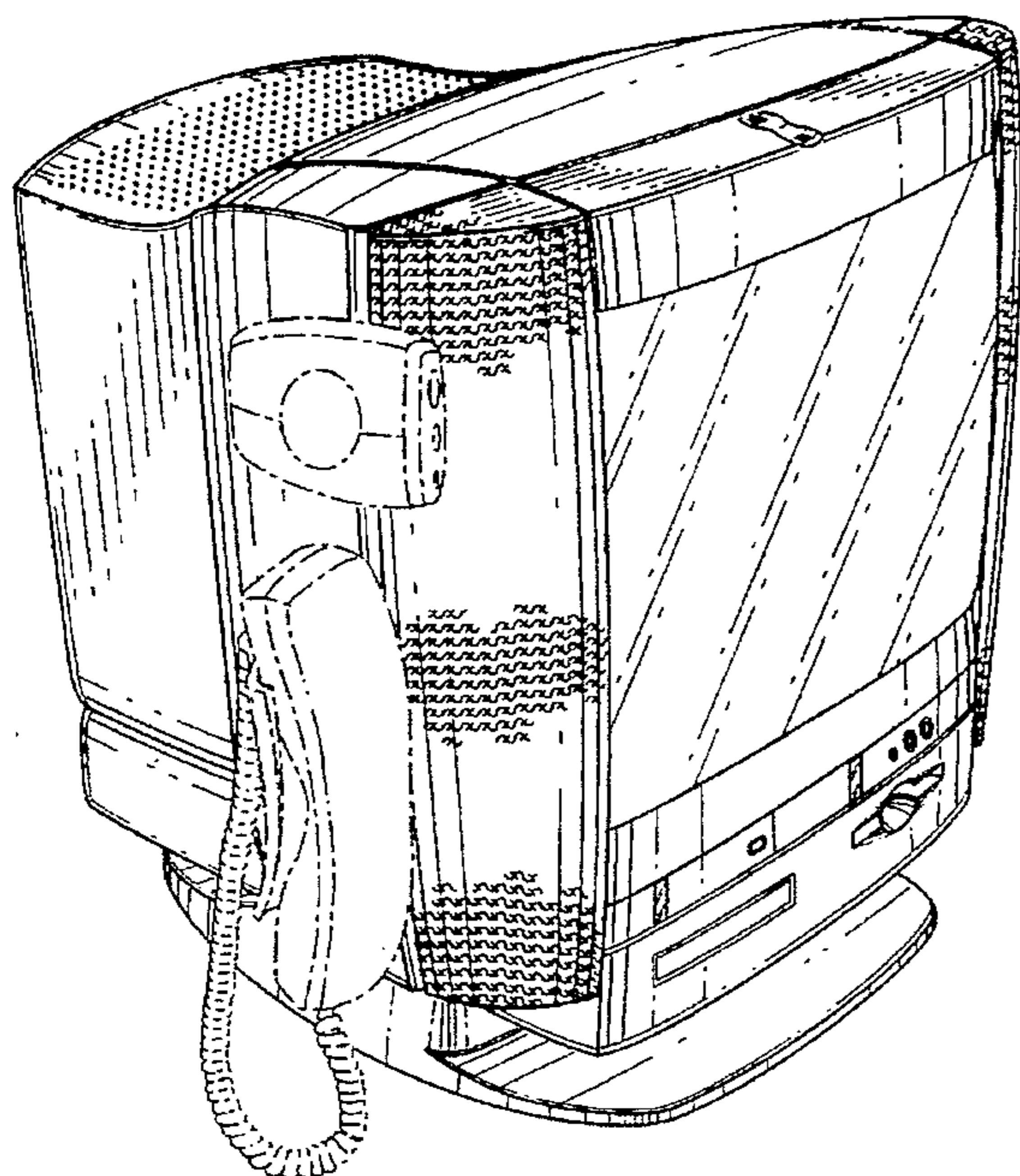
FIG. 11 is a front, top, left side perspective view of FIG. 1 wherein a keyboard is shown in broken lines in a storage position underneath the front of the computer;

FIG. 12 is a front elevational view of a second embodiment thereof wherein the only difference in appearance is in the modular component panel above the disk drive slot; and,

FIG. 13 is a front elevational view of a third embodiment thereof wherein the only difference in appearance is in the modular component panel above the disk drive slot and the speaker grill.

The undisclosed views of the second and third embodiments are identical in appearance to those shown in the first embodiment, the pattern partially shown in the figures for ease of illustration only, represents a conventional speaker grill which is understood to extend uniformly across each of the indicated surfaces and the broken lines are shown in the figures for illustrative purposes only and forms no part of the claimed design.

1 Claim, 13 Drawing Sheets



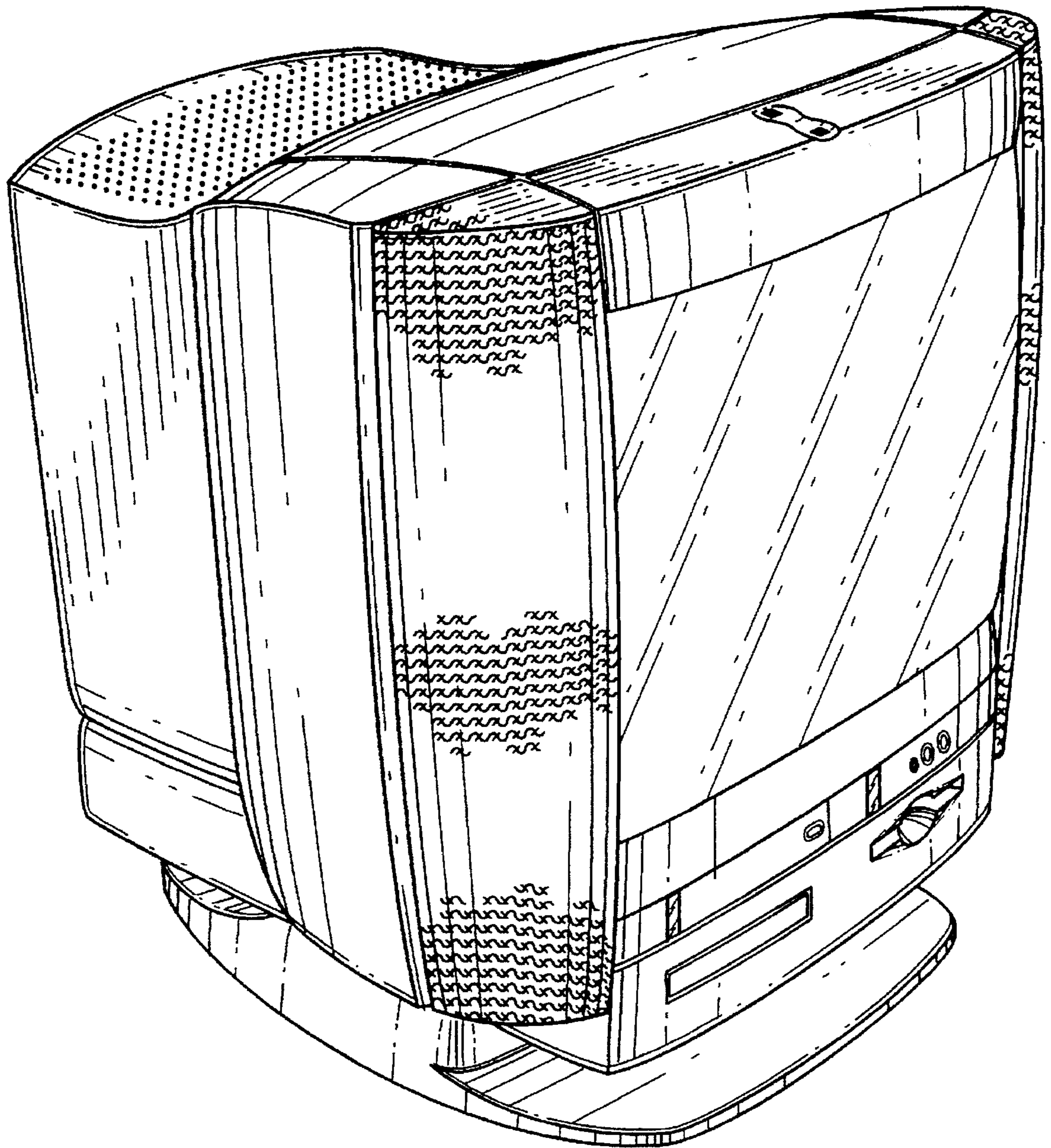


FIG. 1

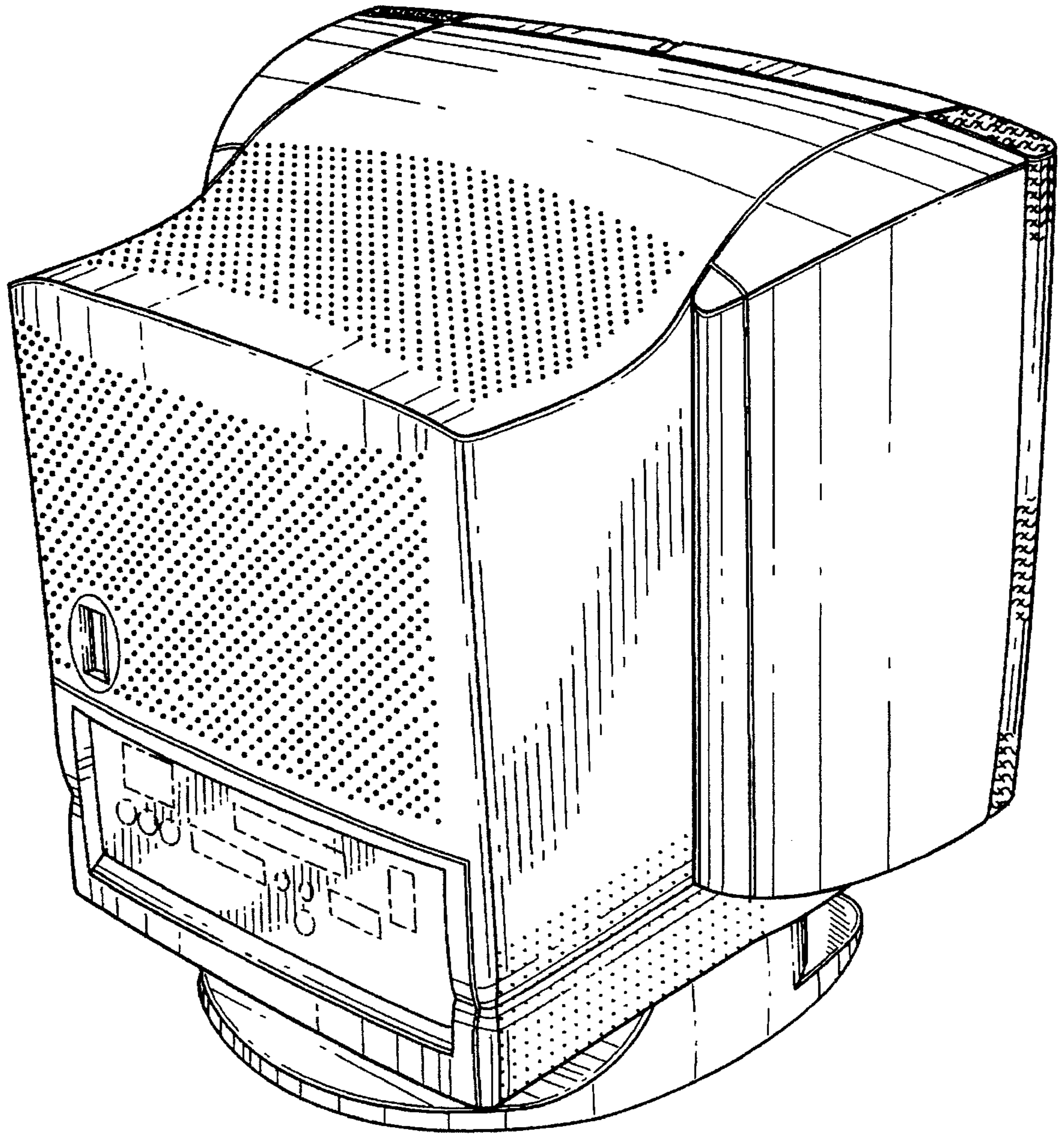


FIG. 2

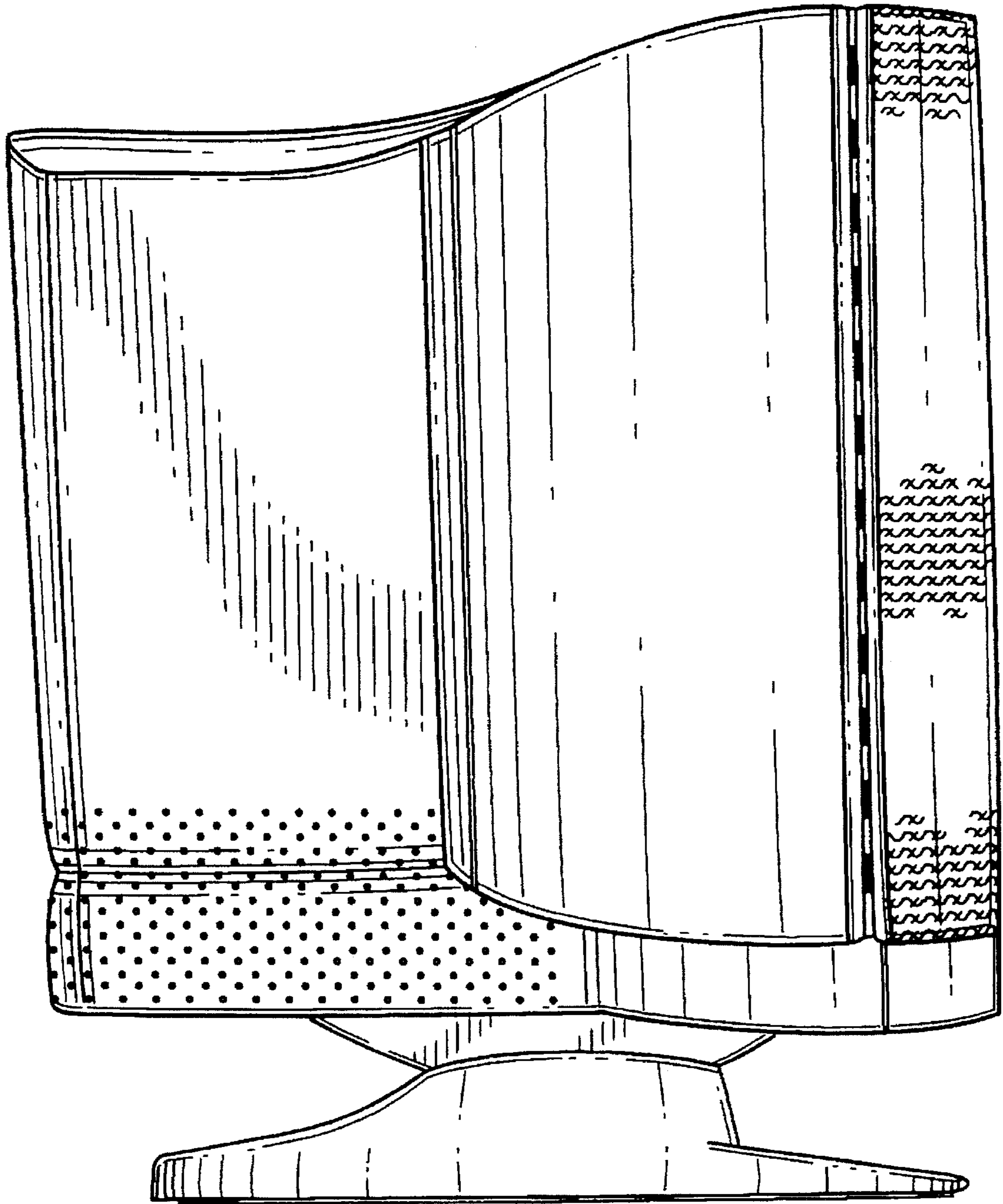


FIG. 3

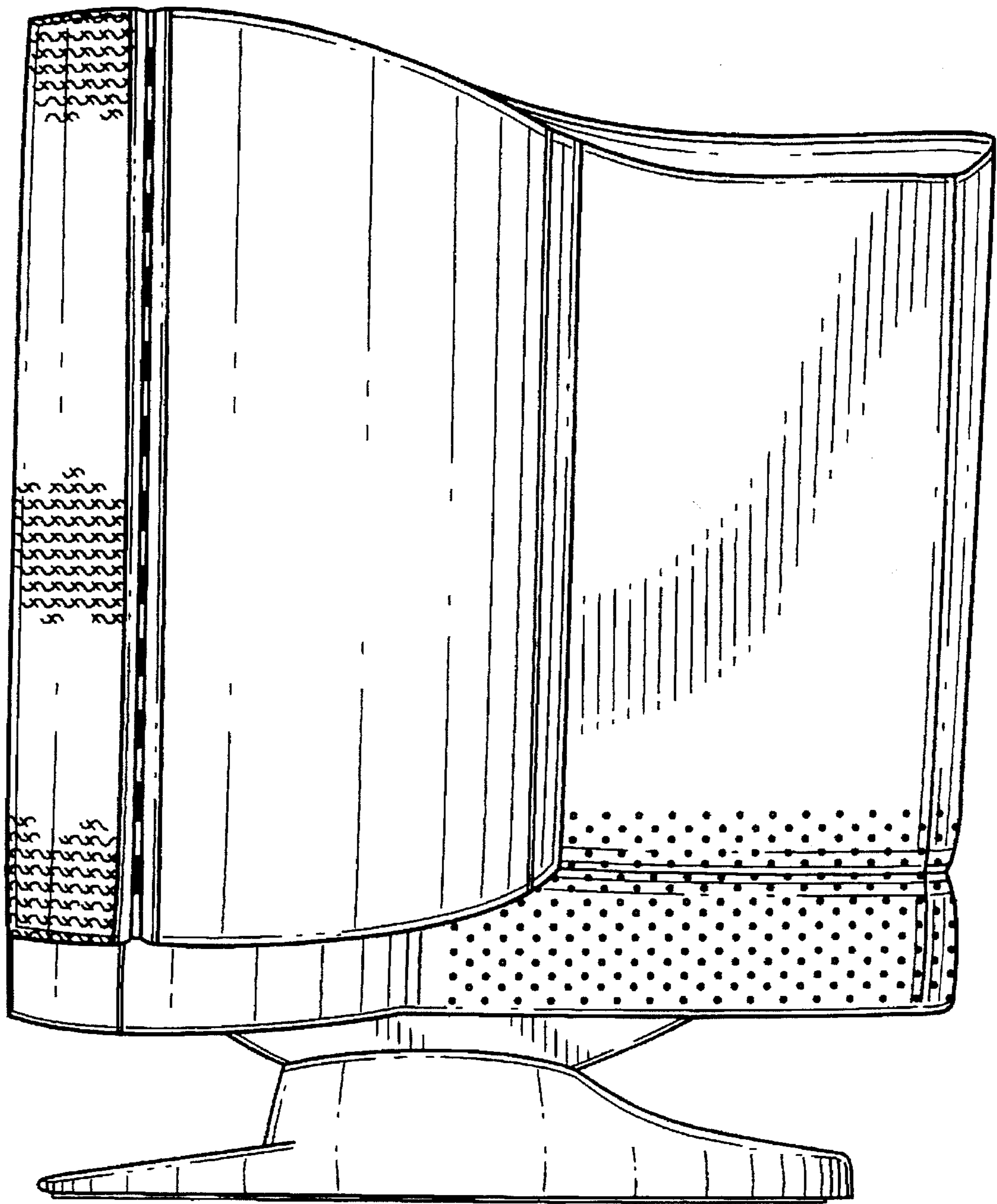


FIG. 4

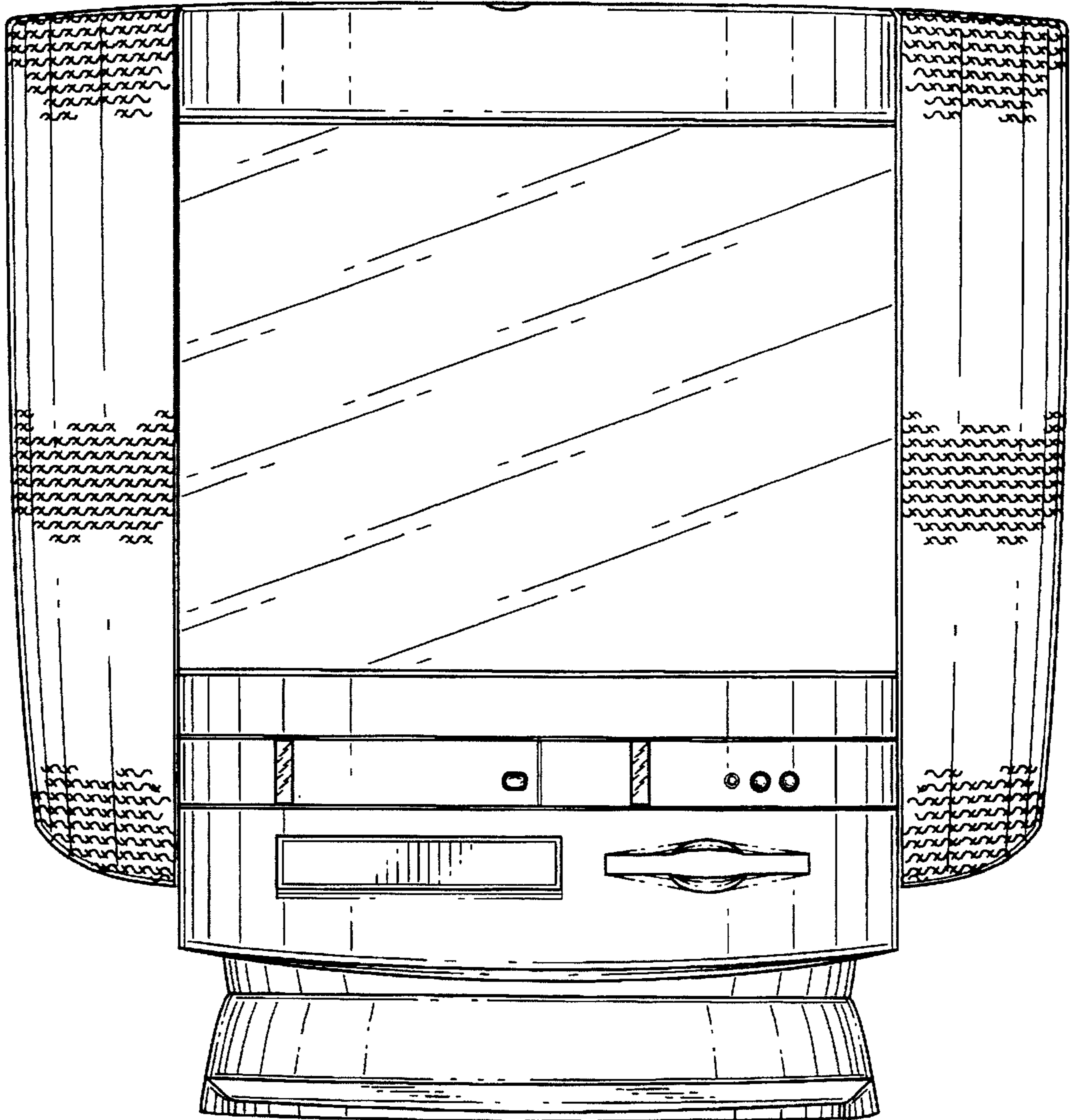


FIG. 5

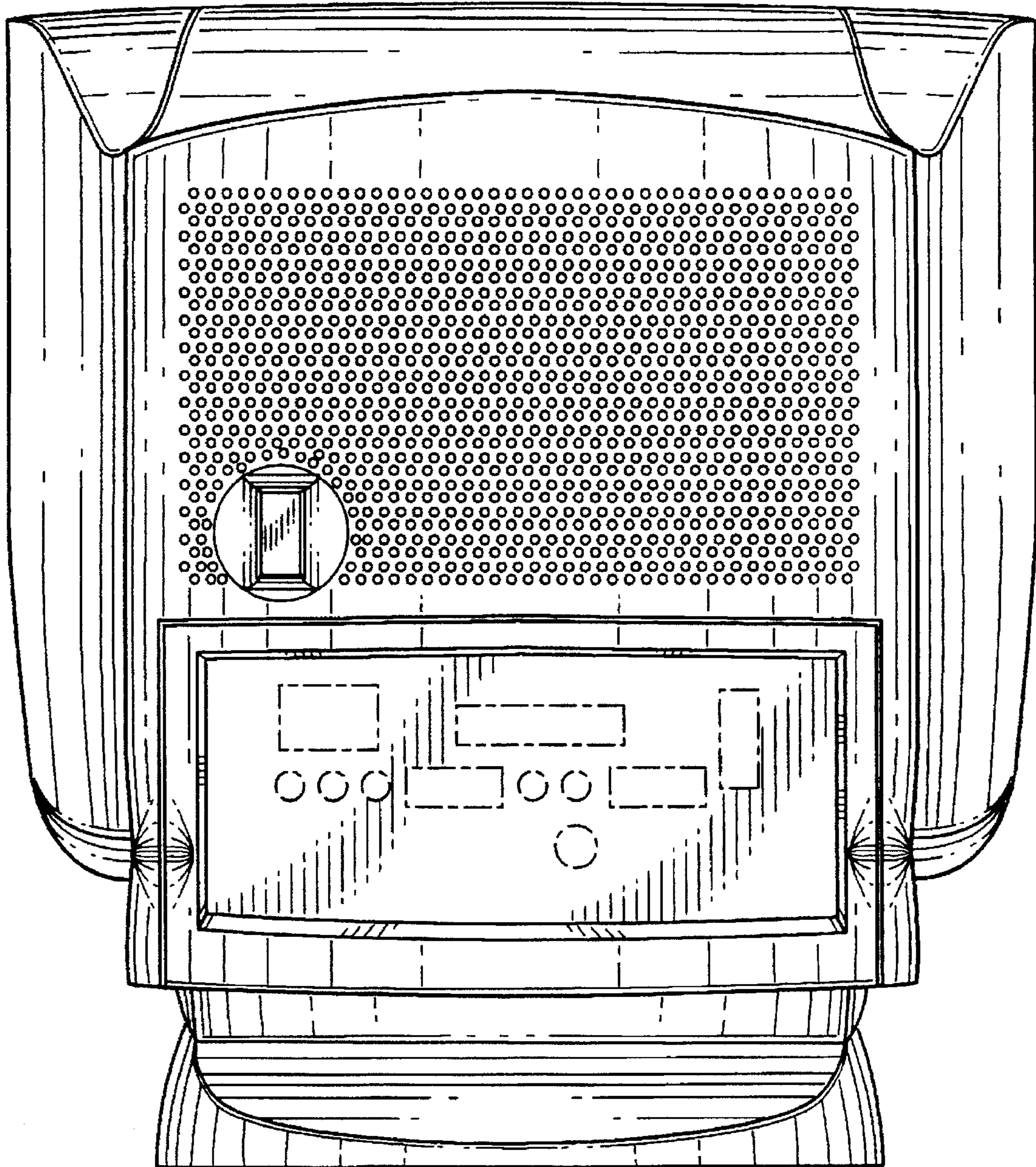


FIG. 6

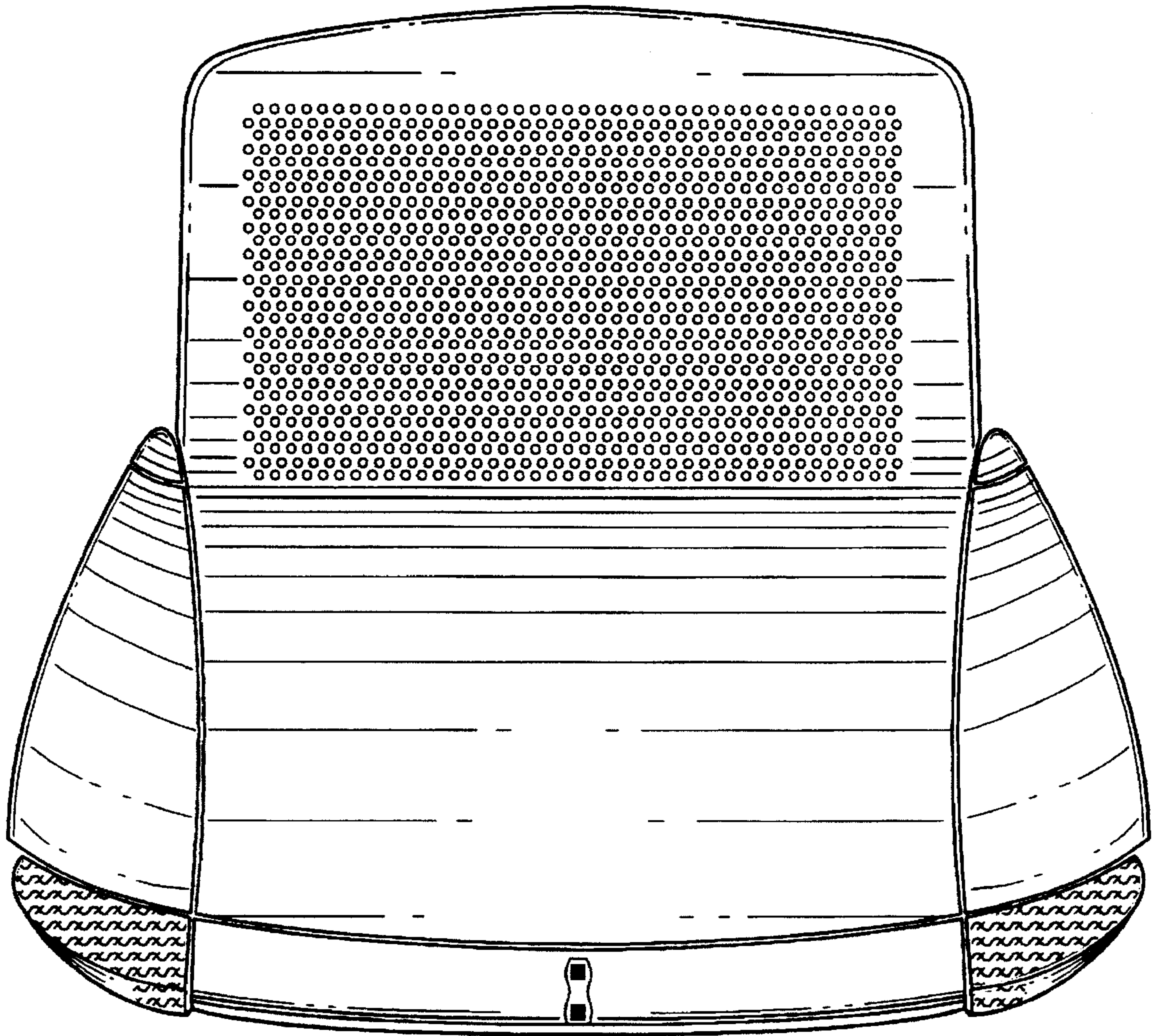


FIG. 7

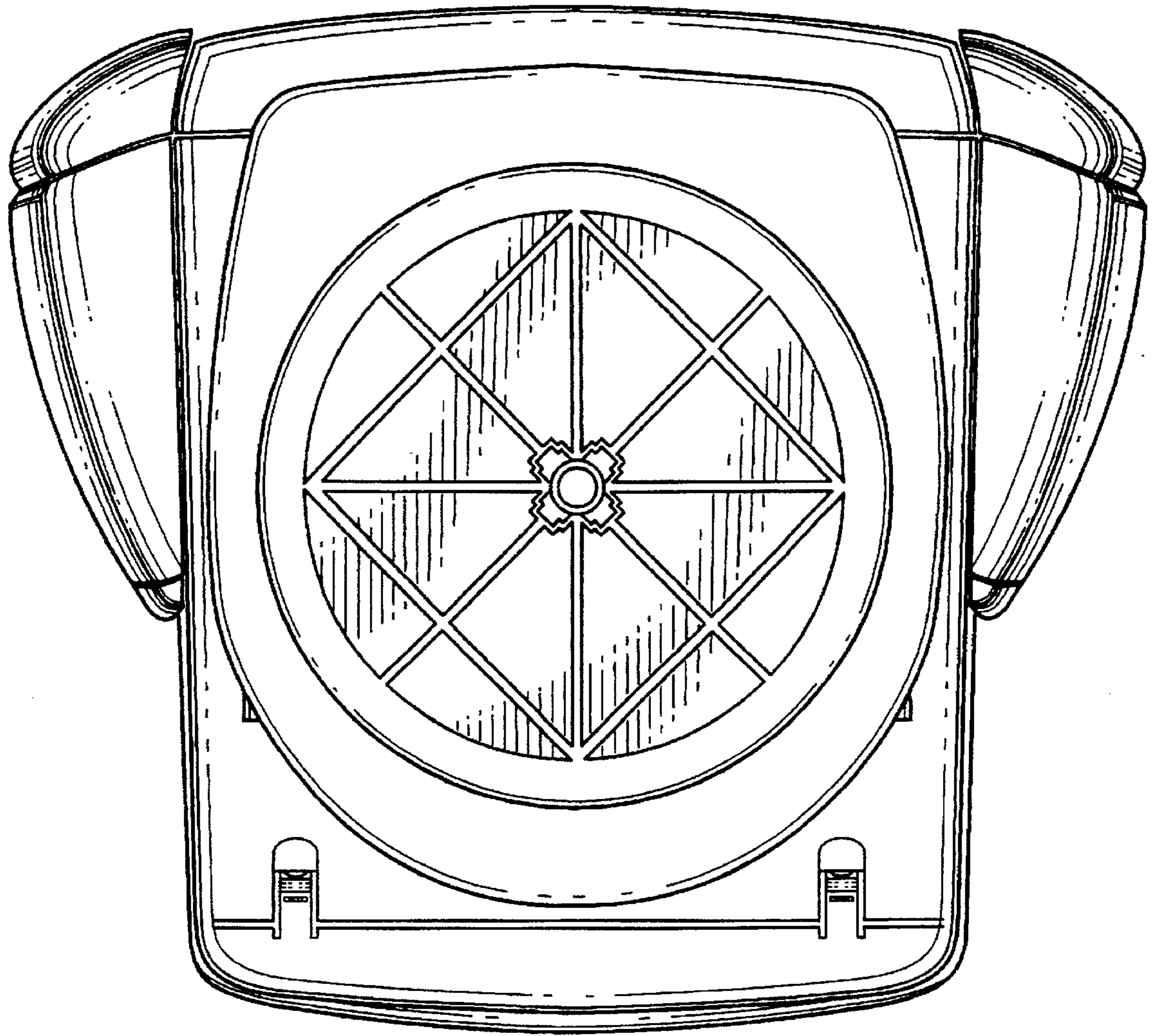


FIG. 8

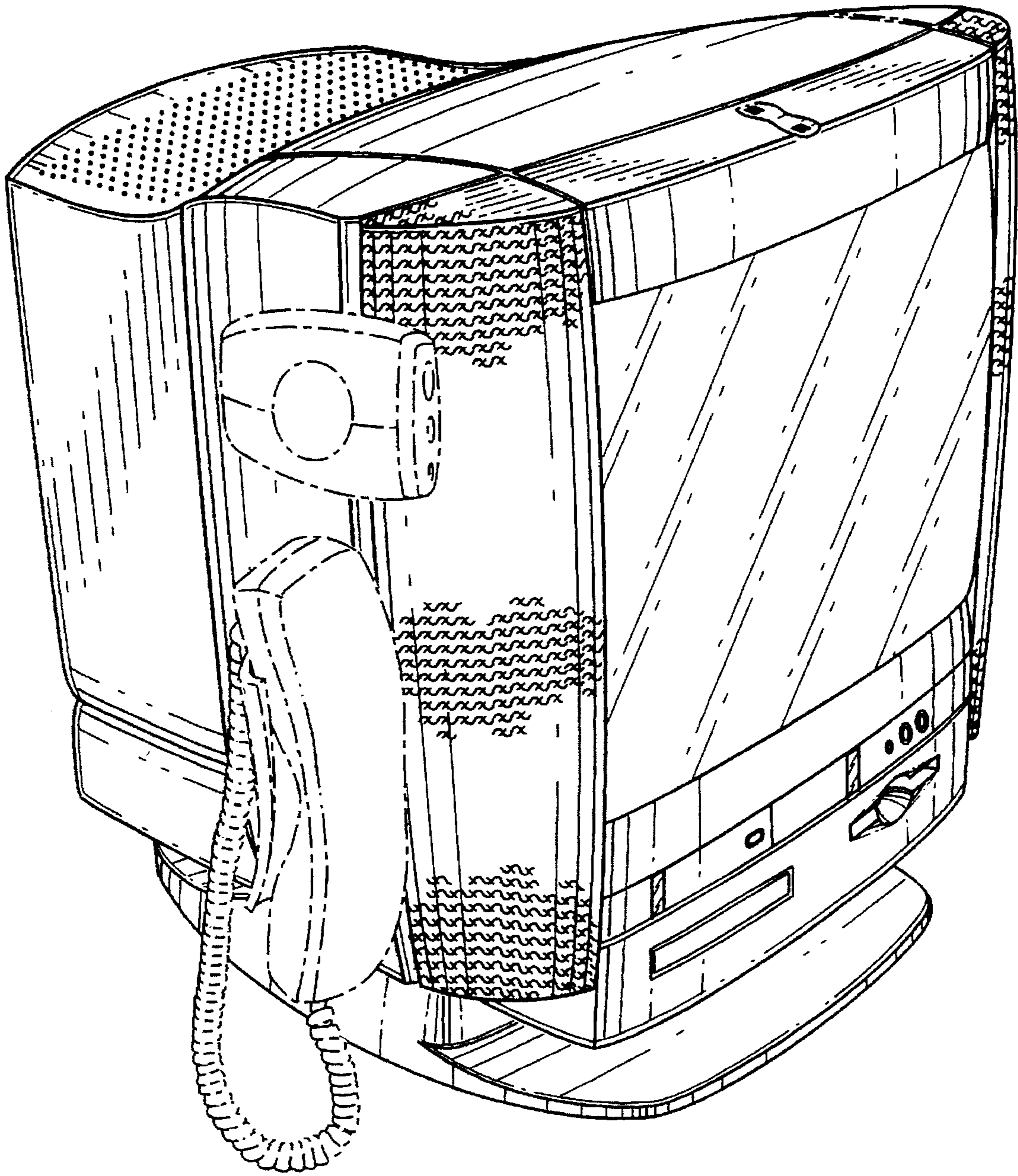


FIG. 9

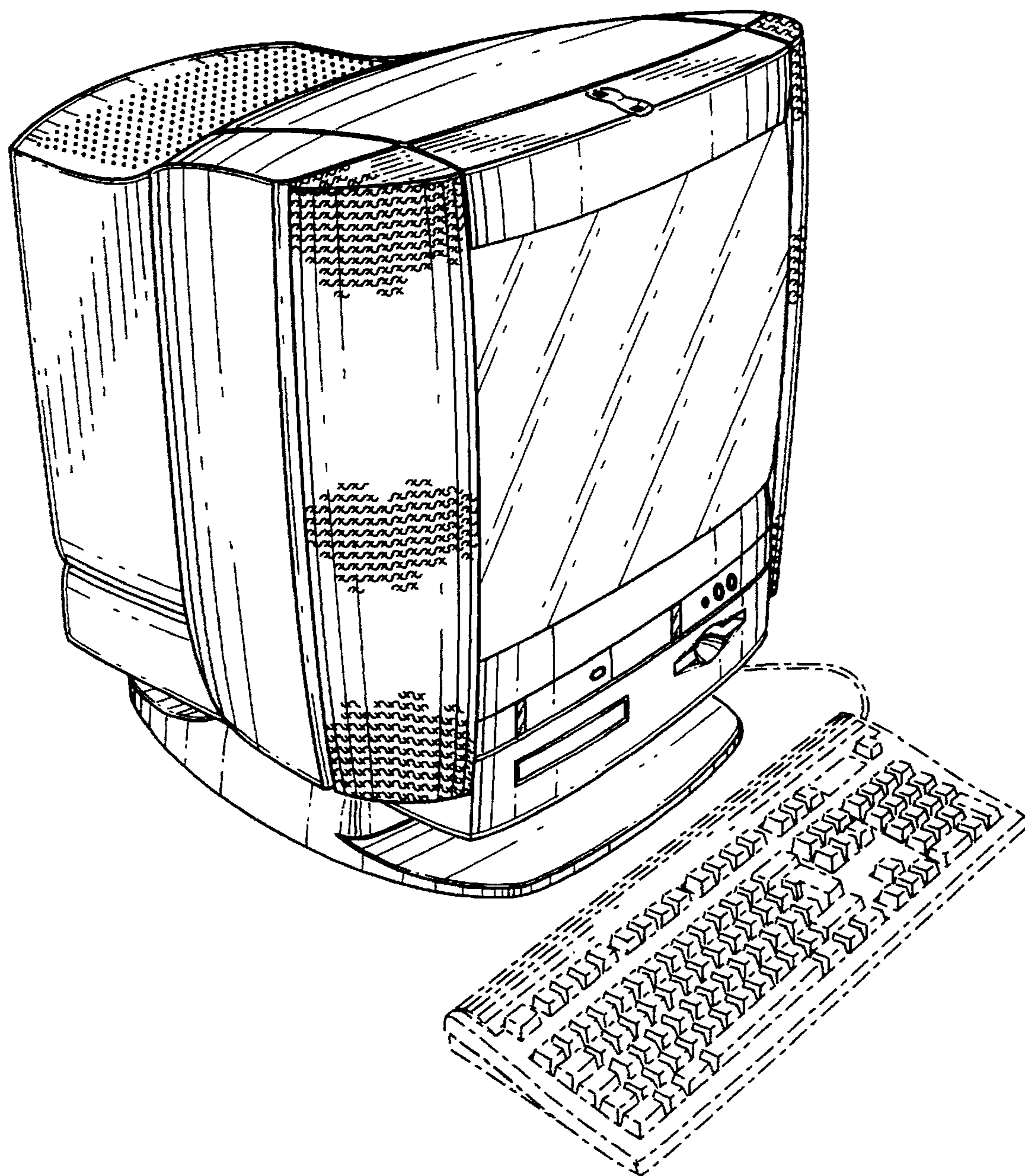


FIG. 10

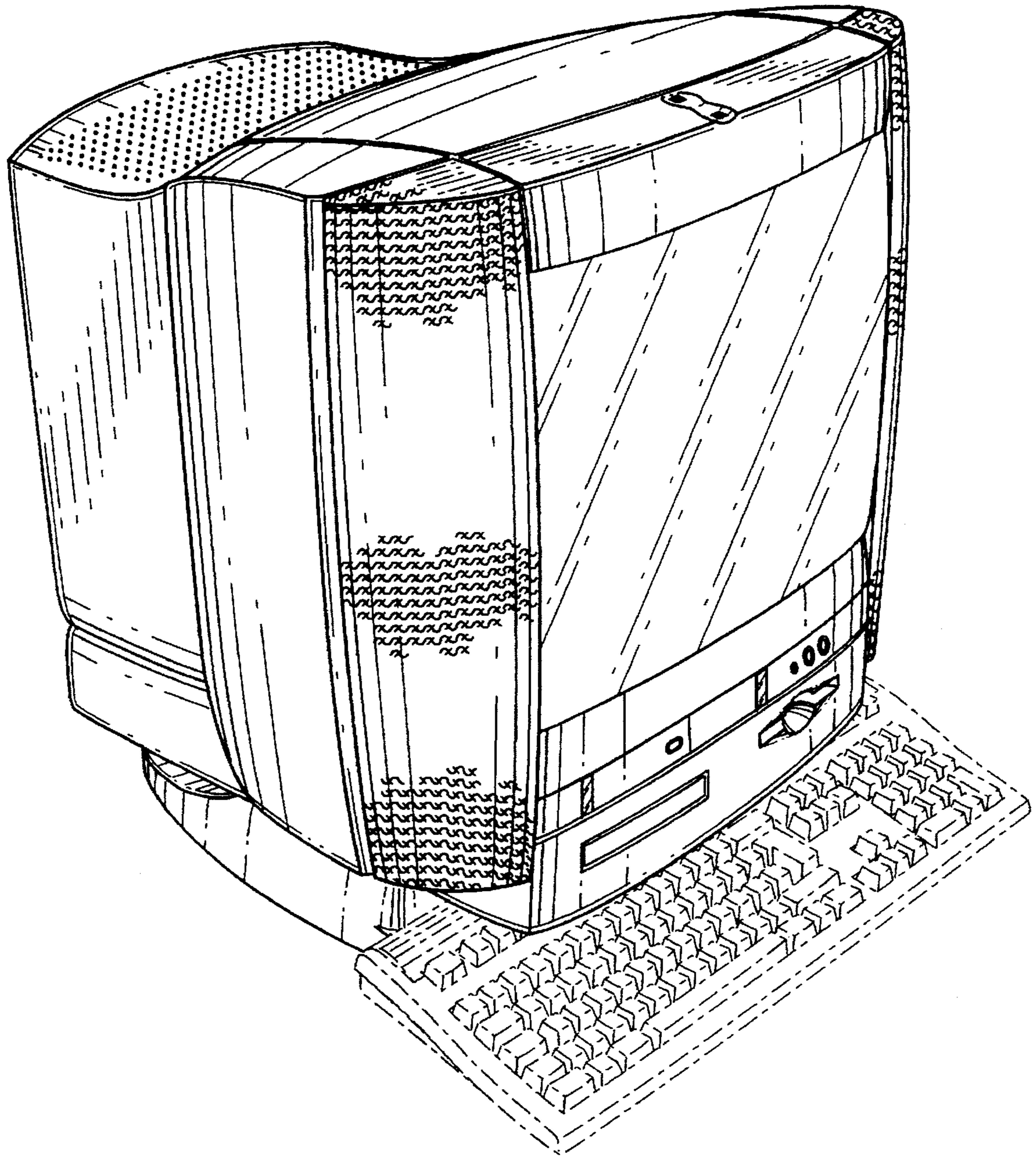


FIG. 11

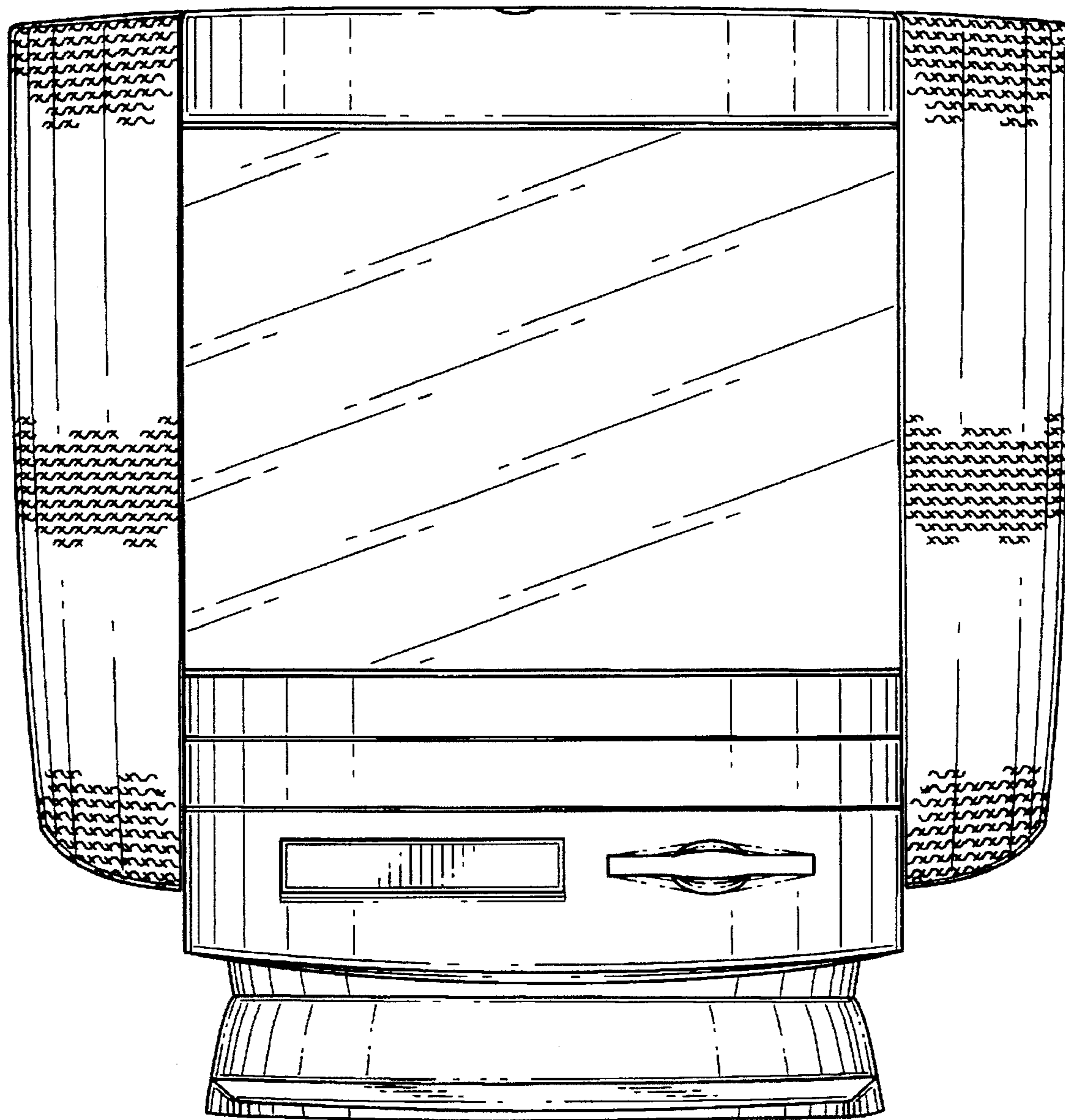


FIG. 12

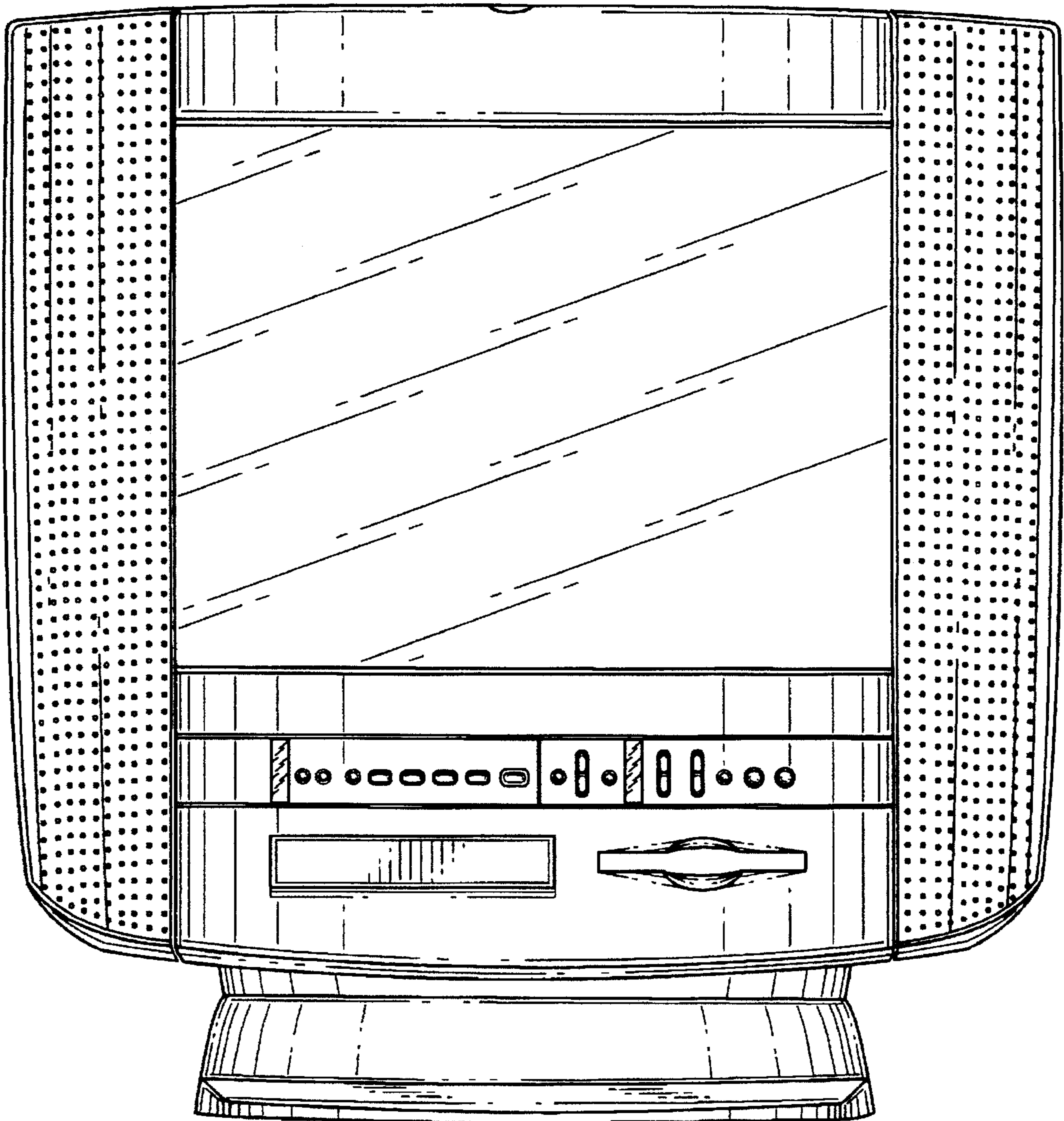


FIG. 13