



US00D380454S

# United States Patent [19]

[11] Patent Number: **Des. 380,454**

Iwai et al.

[45] Date of Patent: **\*\*Jul. 1, 1997**

[54] **WAFER BOAT**

[75] Inventors: **Hiroyuki Iwai; Katsutoshi Ishii; Hitoshi Kato**, all of Kanagawa-ken, Japan

[73] Assignee: **Tokyo Electron Limited**, Tokyo-to, Japan

[\*\*] Term: **14 Years**

[21] Appl. No.: **47,278**

[22] Filed: **Nov. 30, 1995**

[30] **Foreign Application Priority Data**

May 30, 1995	[JP]	Japan	.....	7-15171
May 30, 1995	[JP]	Japan	.....	7-15173

[51] **LOC (6) Cl.** ..... **13-03**

[52] **U.S. Cl.** ..... **D13/182**

[58] **Field of Search** ..... D13/182; D6/396, D6/405, 607, 407, 626, 629, 630, 462, 466, 467, 468, 477, 478, 479; D14/120, 121; D15/140; 118/500, 715, 728; 206/454; 211/41; 432/152; 414/935

[56] **References Cited**

**U.S. PATENT DOCUMENTS**

D. 366,868	2/1996	Ohsawa	.....	D8/182
5,482,559	1/1996	Imai et al.	.....	118/728
5,510,146	4/1996	Miyasaka	.....	118/715

*Primary Examiner*—Antoine Duval Davis  
*Attorney, Agent, or Firm*—Ladas & Parry

[57] **CLAIM**

The ornamental design for wafer boat, as shown and described.

**DESCRIPTION**

FIG. 1 is a front view of a first embodiment of a wafer boat showing our new design;

FIG. 2 is a rear view of the embodiment of FIG. 1;

FIG. 3 is a top view of the embodiment of FIG. 1;

FIG. 4 is a bottom view of the embodiment of FIG. 1;

FIG. 5 is a left side view of the embodiment of FIG. 1, the right side view being a mirror image and, therefore, not shown;

FIG. 6 is a cross sectional view of the embodiment of FIG. 1 on section line 6—6 in FIG. 1;

FIG. 7 is a cross sectional view of the embodiment of FIG. 1 on section line 7—7 in FIG. 3;

FIG. 8 is a front/top/right side perspective view of the embodiment of FIG. 1;

FIG. 9 is a front view of a second embodiment of a wafer boat showing our new design;

FIG. 10 is a rear view of the embodiment of FIG. 9;

FIG. 11 is a top view of the embodiment of FIG. 9;

FIG. 12 is a bottom view of the embodiment of FIG. 9;

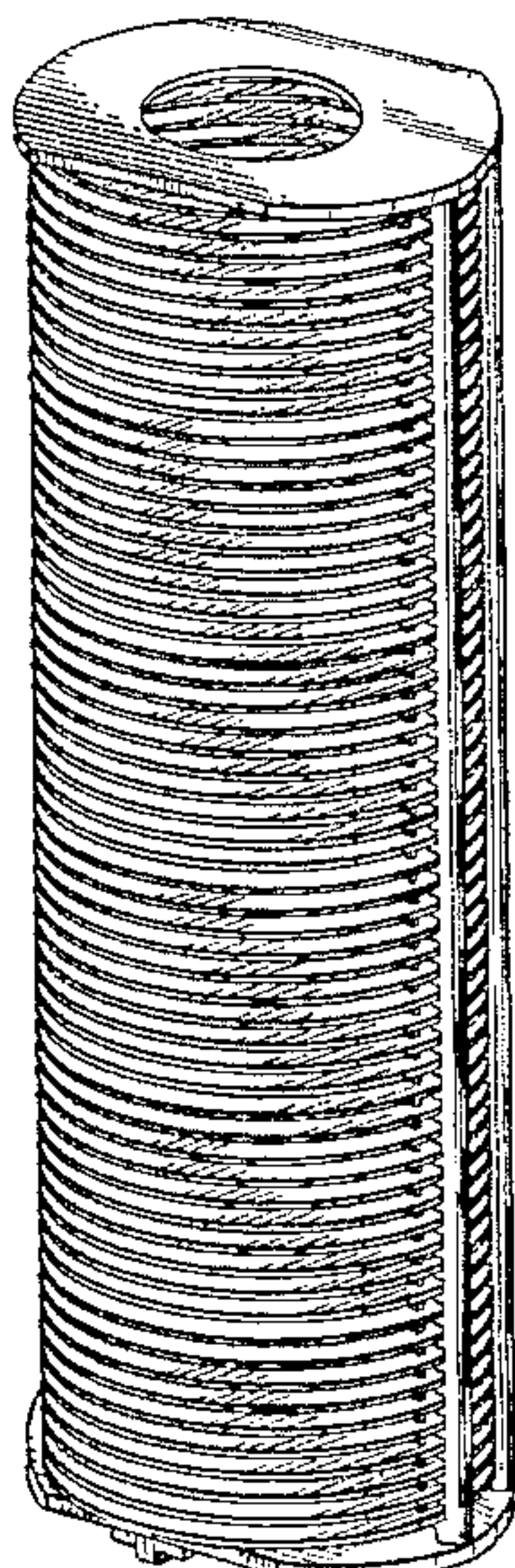
FIG. 13 is a left side view of the embodiment of FIG. 9, the right side view being a mirror image and, therefore, not shown;

FIG. 14 is a cross sectional view of the embodiment of FIG. 9 on section line 14—14 in FIG. 9;

FIG. 15 is a cross sectional view of the embodiment of FIG. 9 on section line 15—15 in FIG. 11; and,

FIG. 16 is a front/top/right side perspective view of the embodiment of FIG. 9.

**1 Claim, 12 Drawing Sheets**



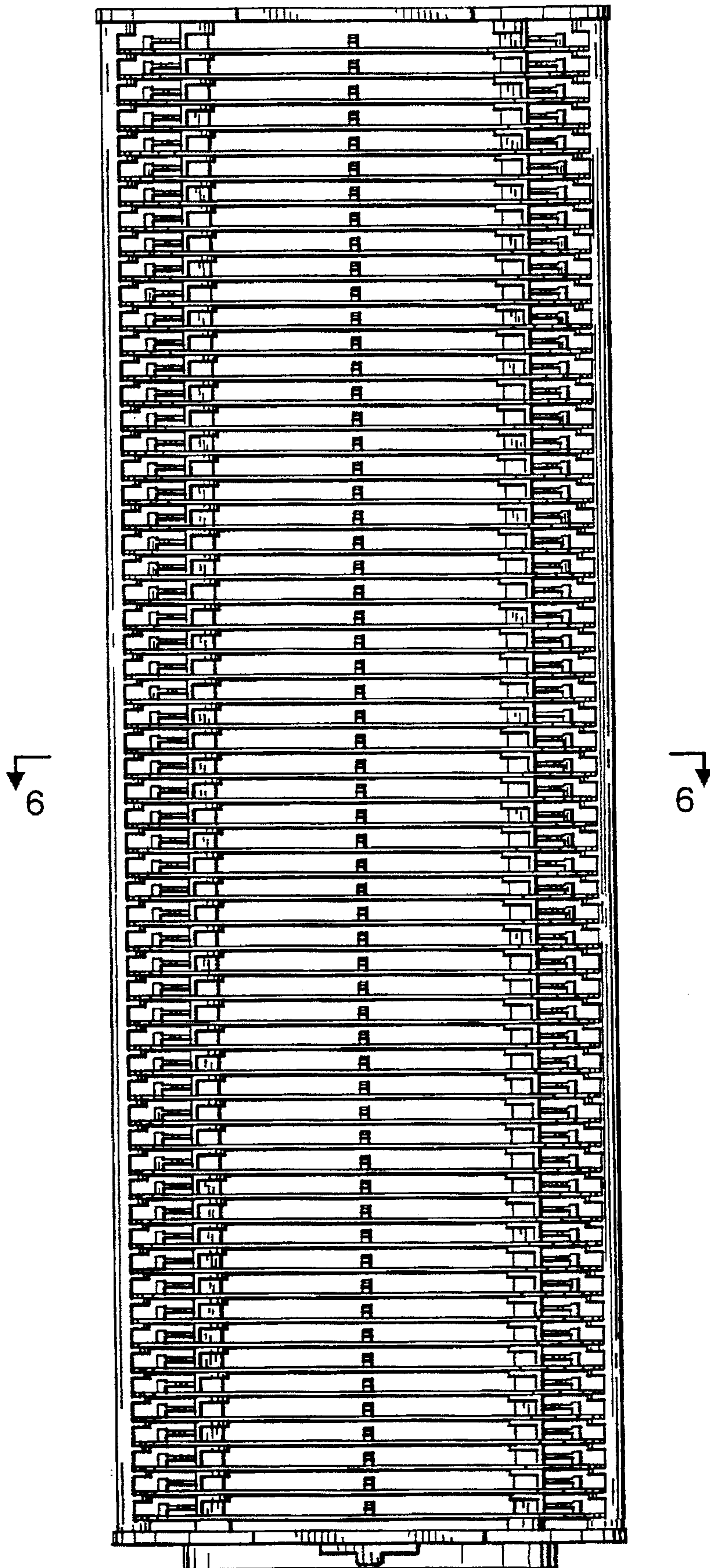


FIG. 1



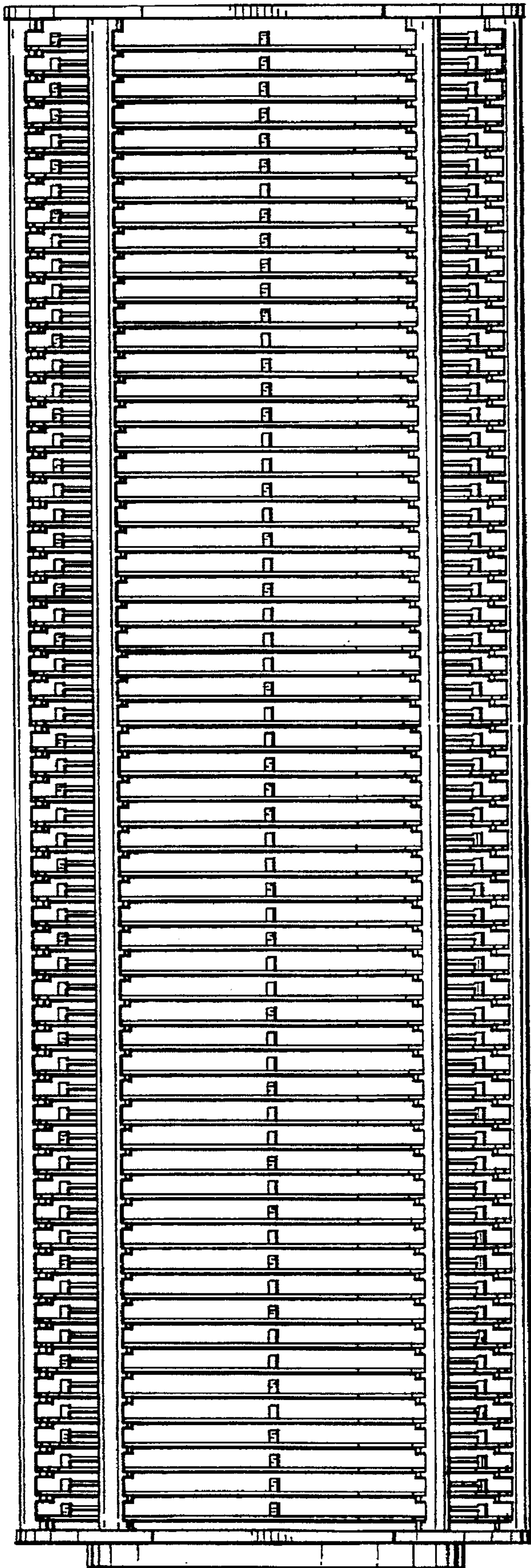


FIG. 2

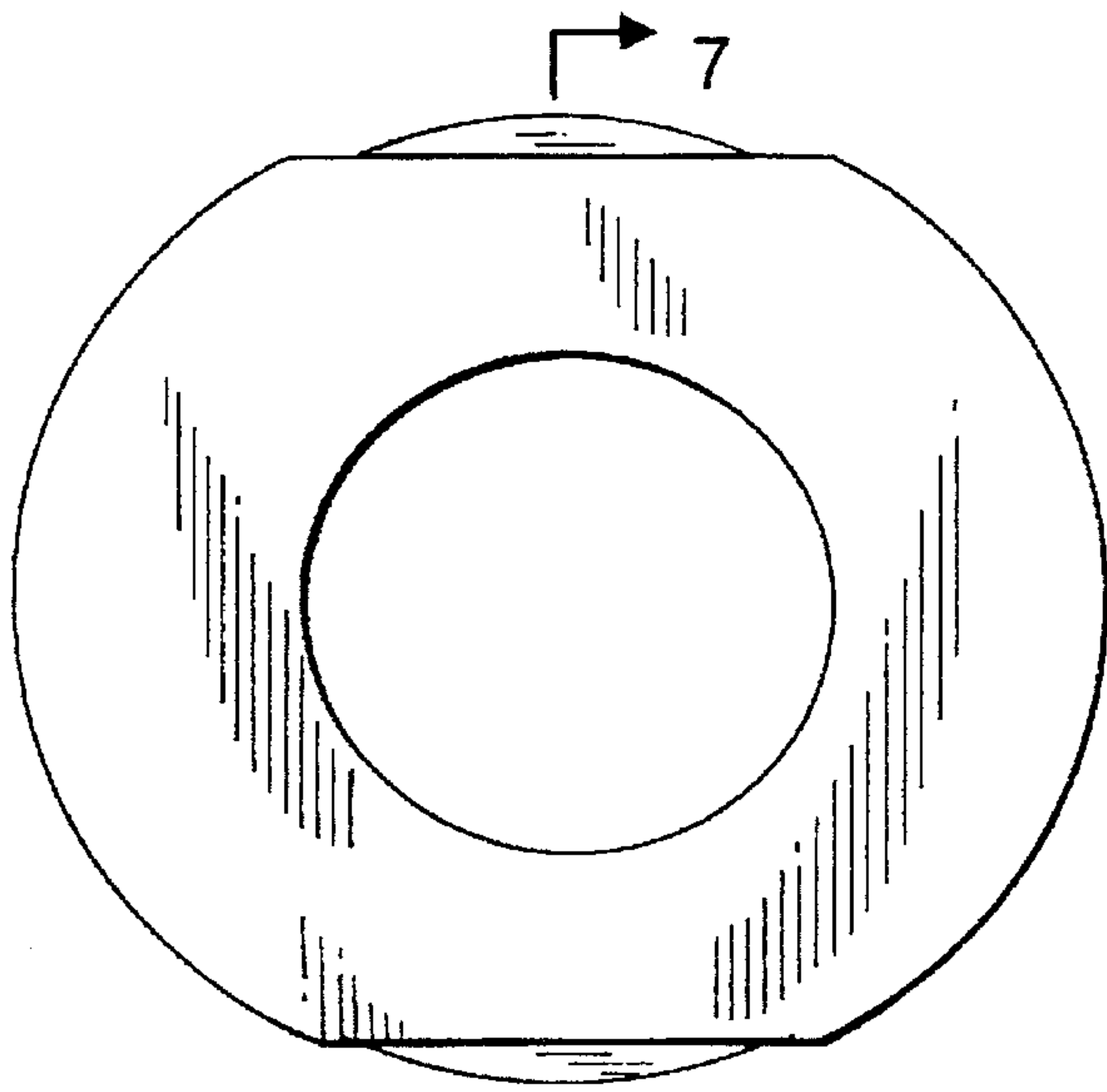


FIG. 3

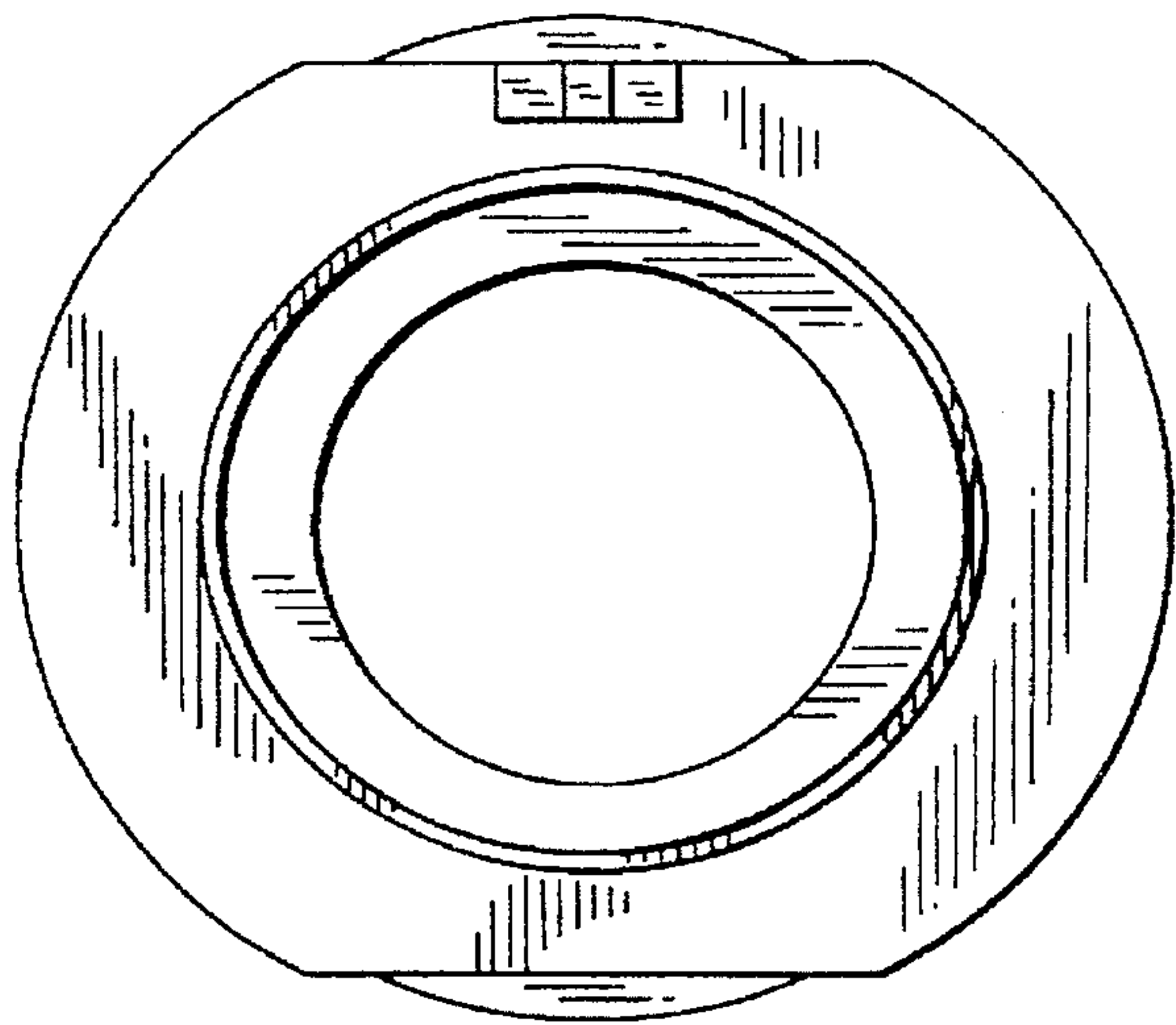


FIG. 4

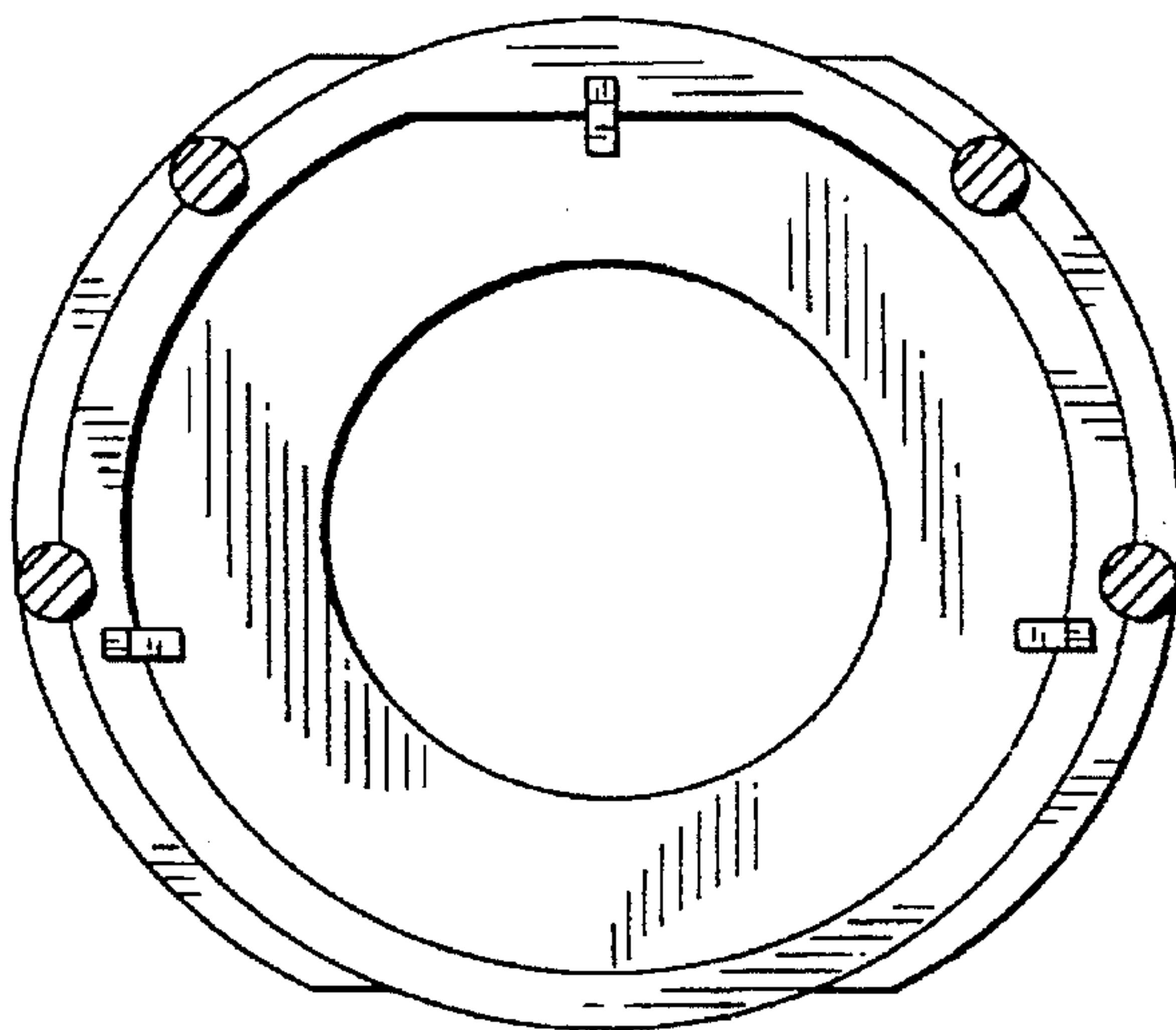


FIG. 6

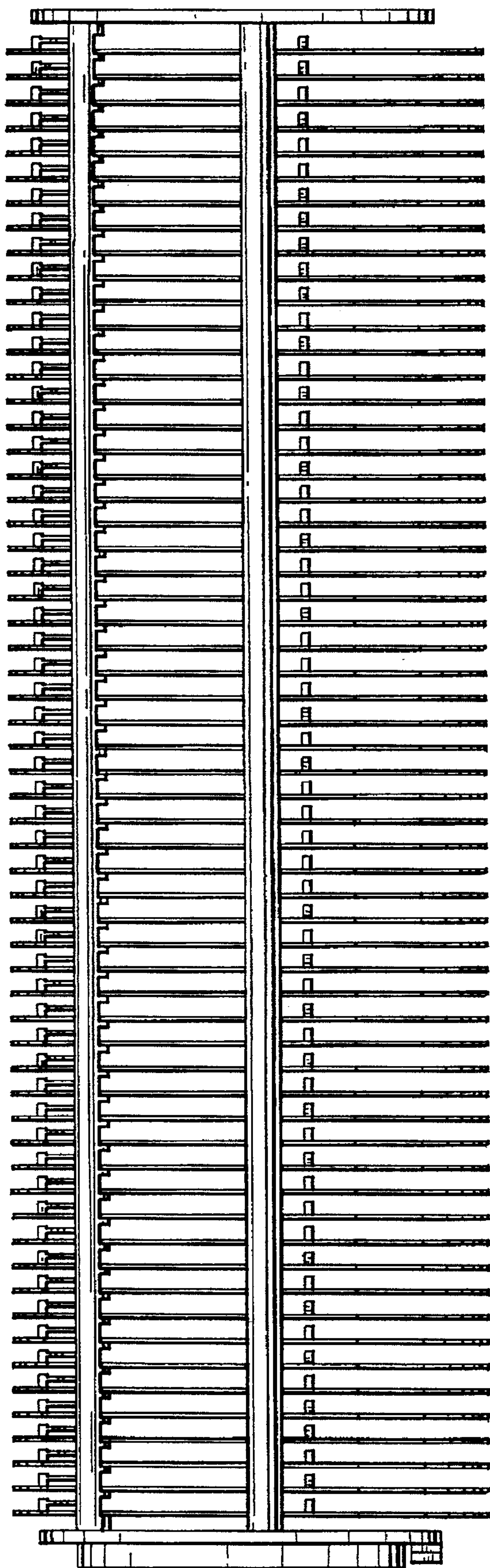


FIG. 5

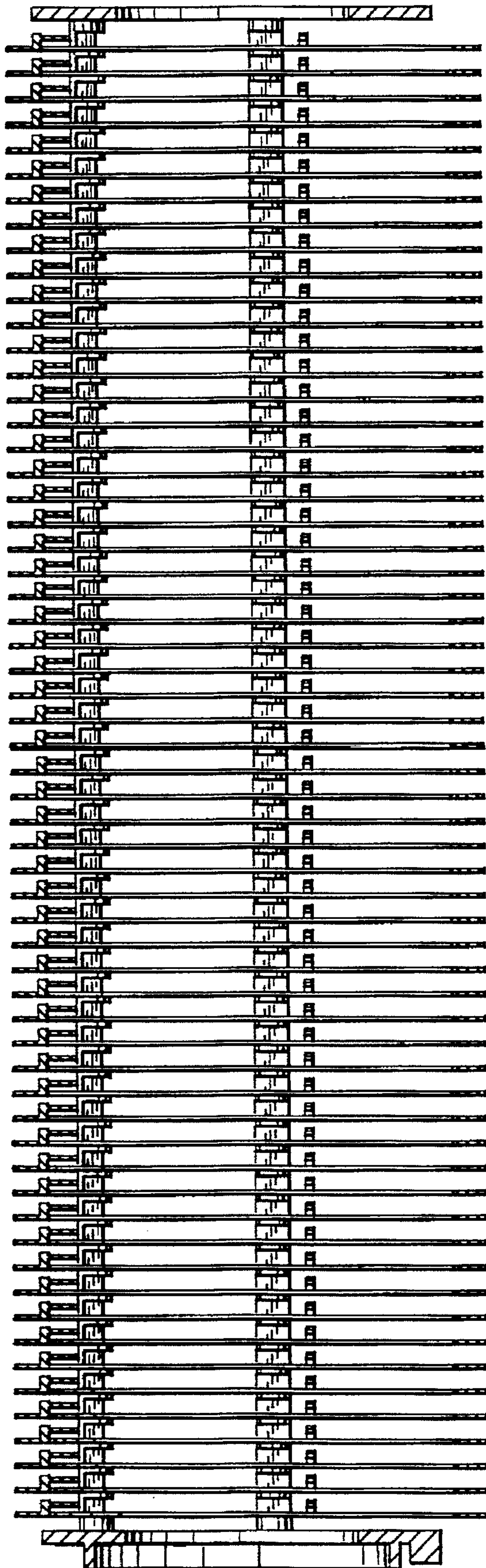


FIG. 7



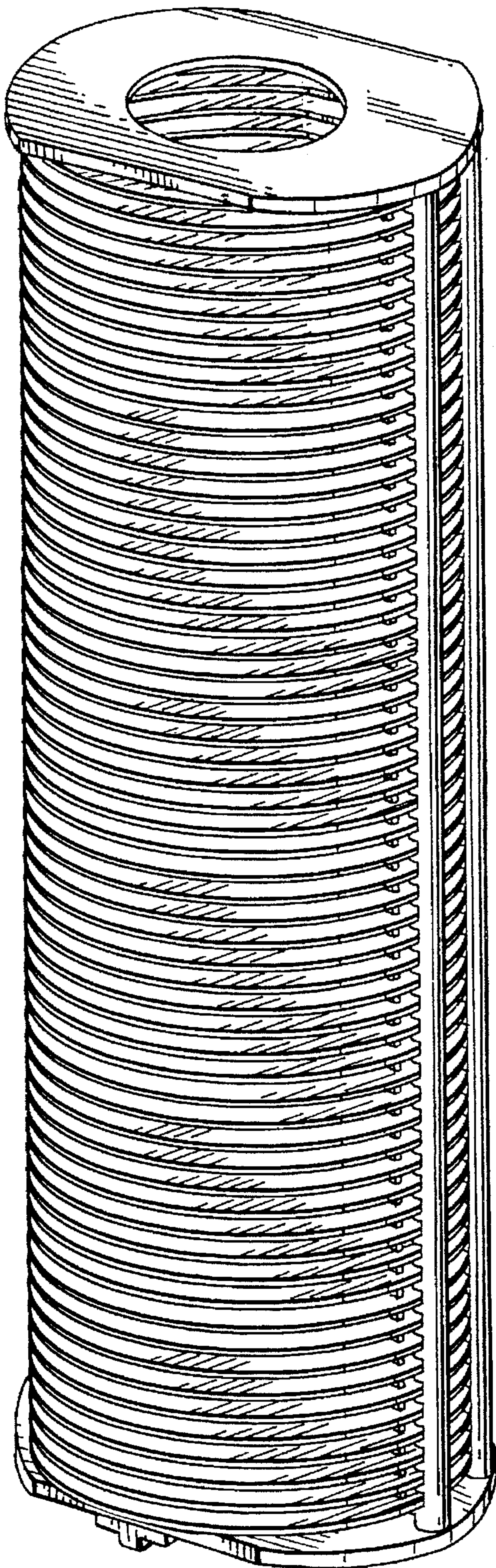


FIG. 8

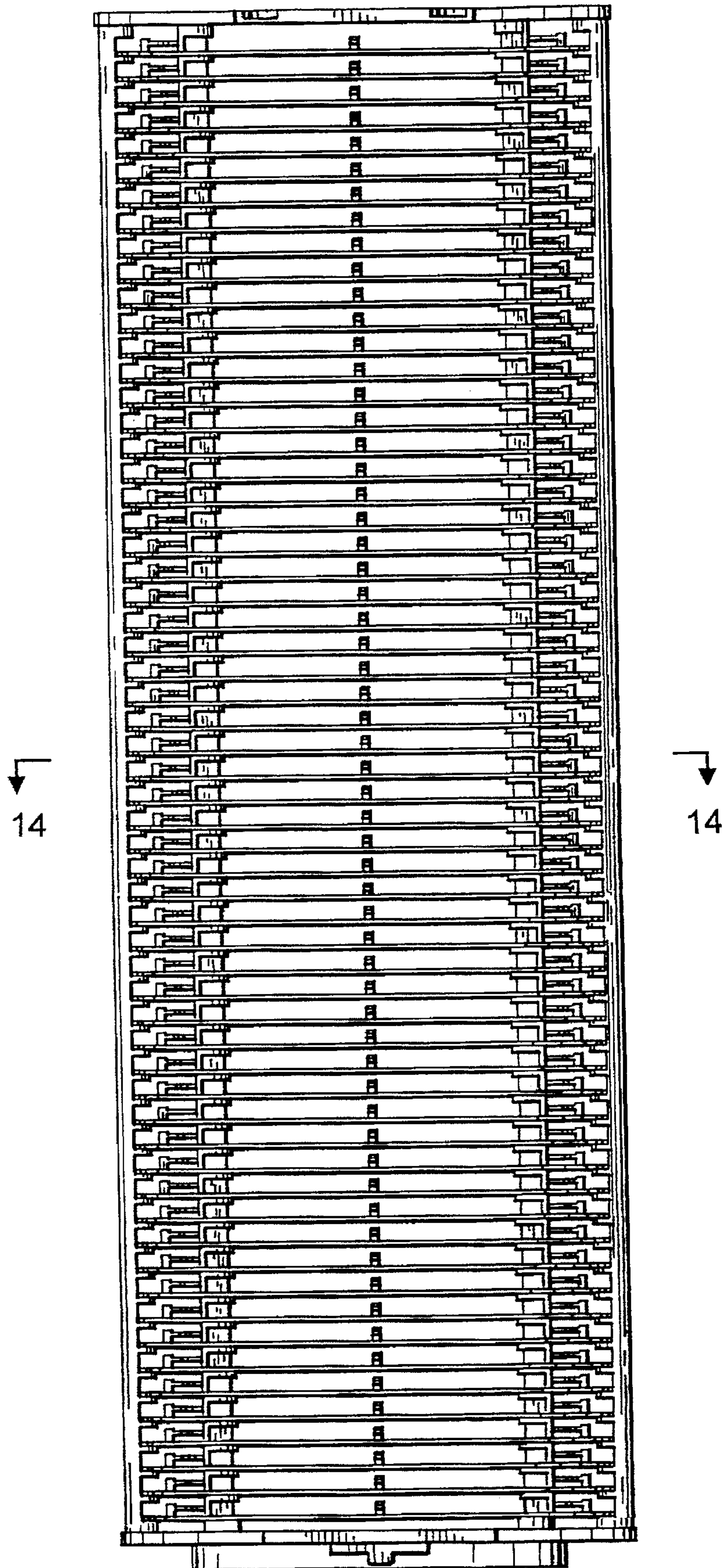


FIG. 9



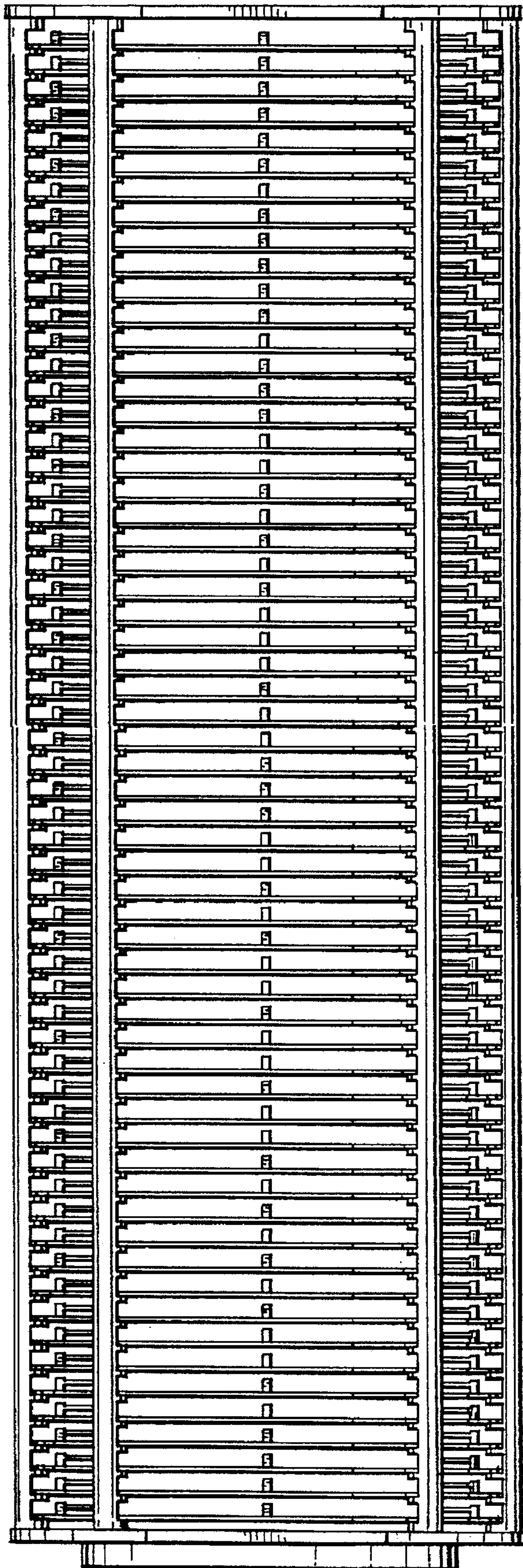


FIG. 10

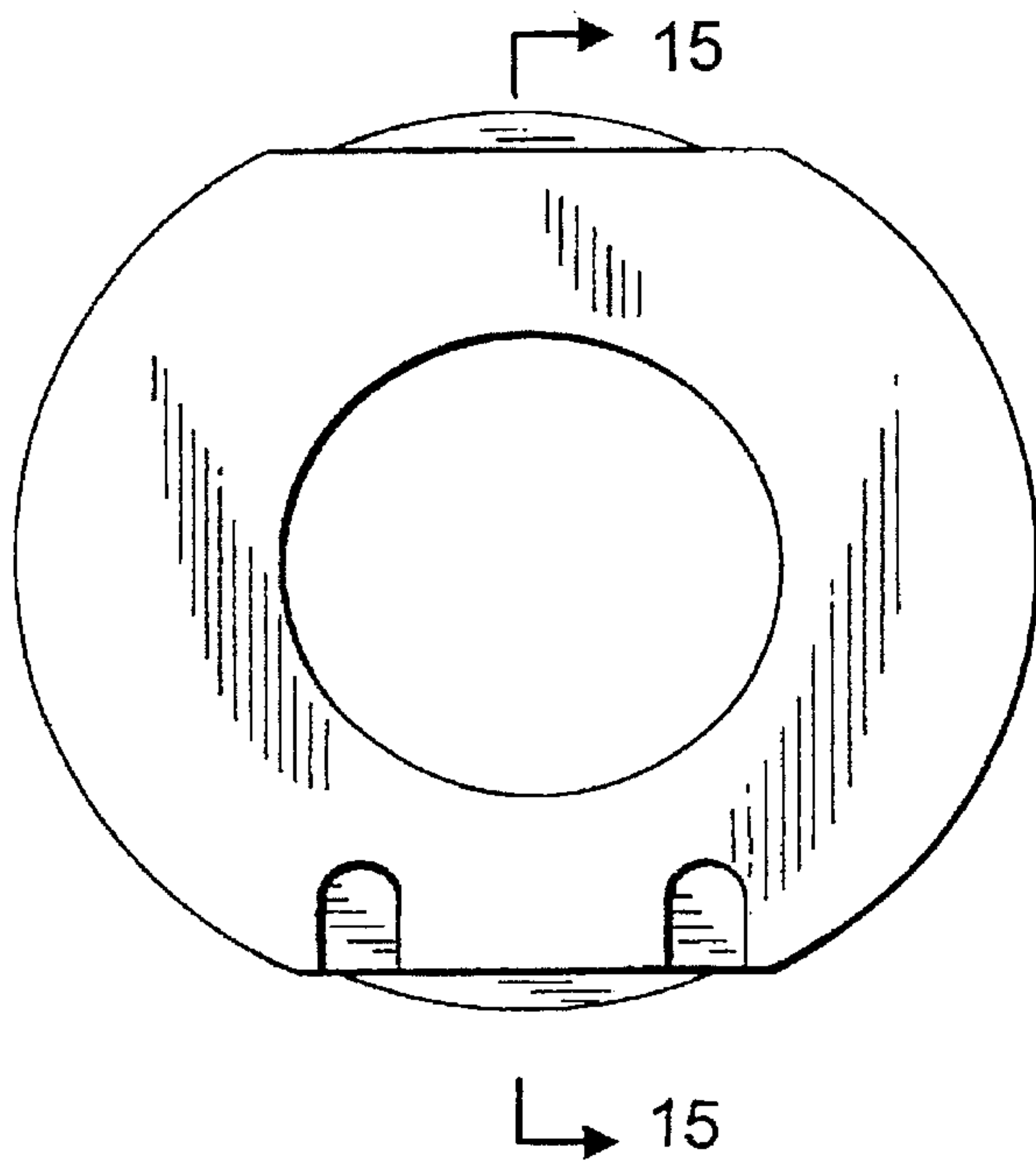


FIG. 11

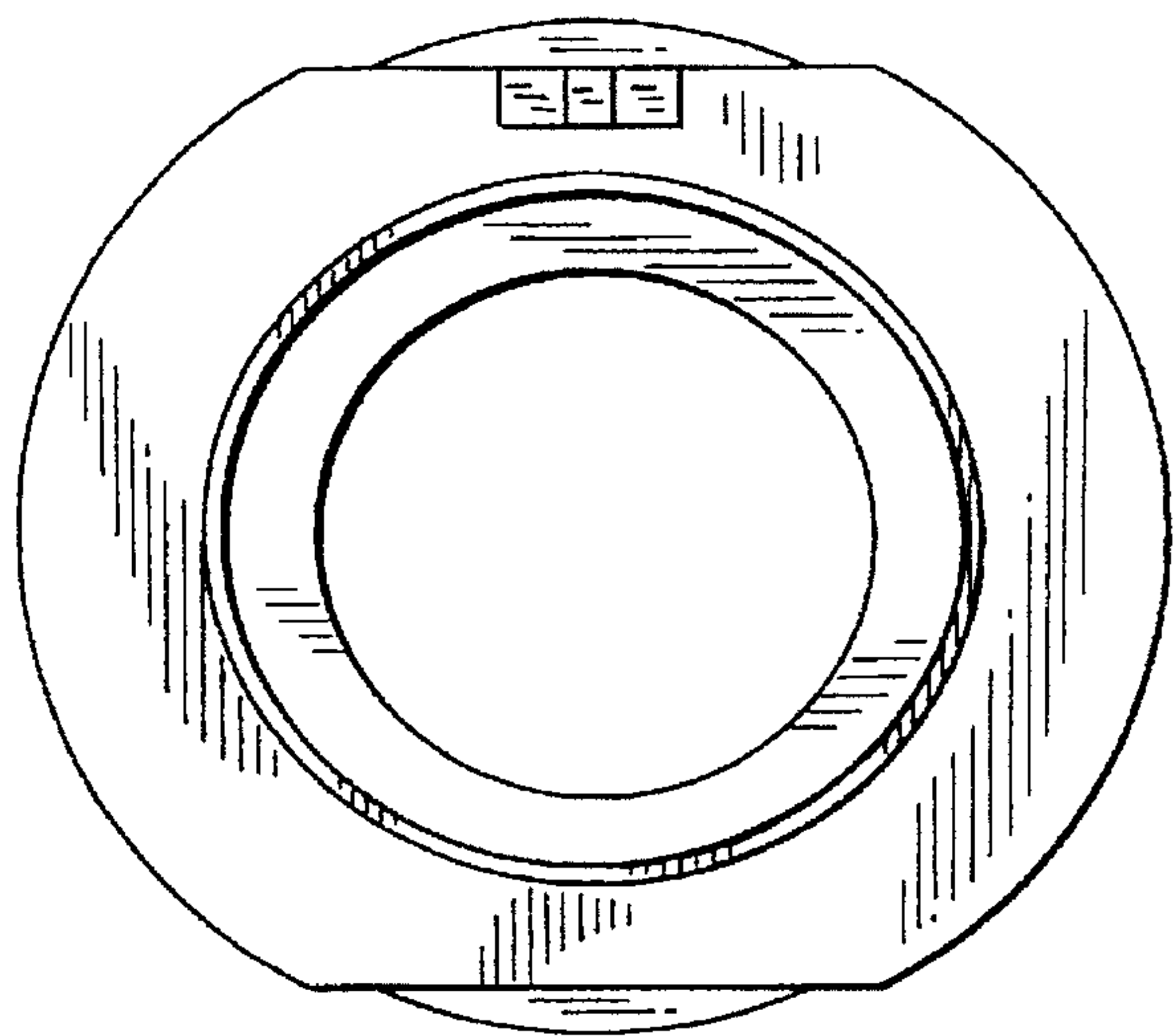


FIG. 12

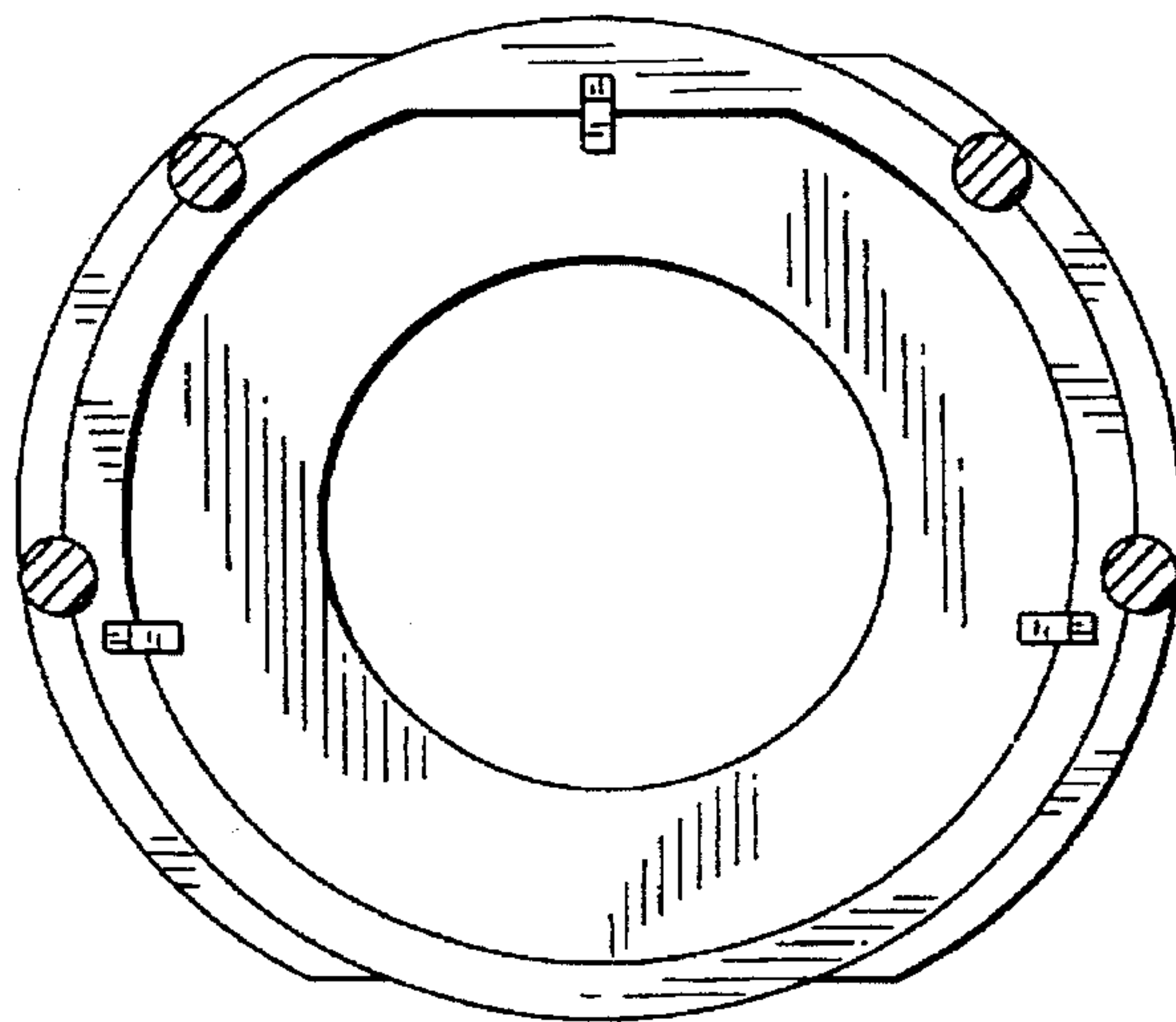


FIG. 14

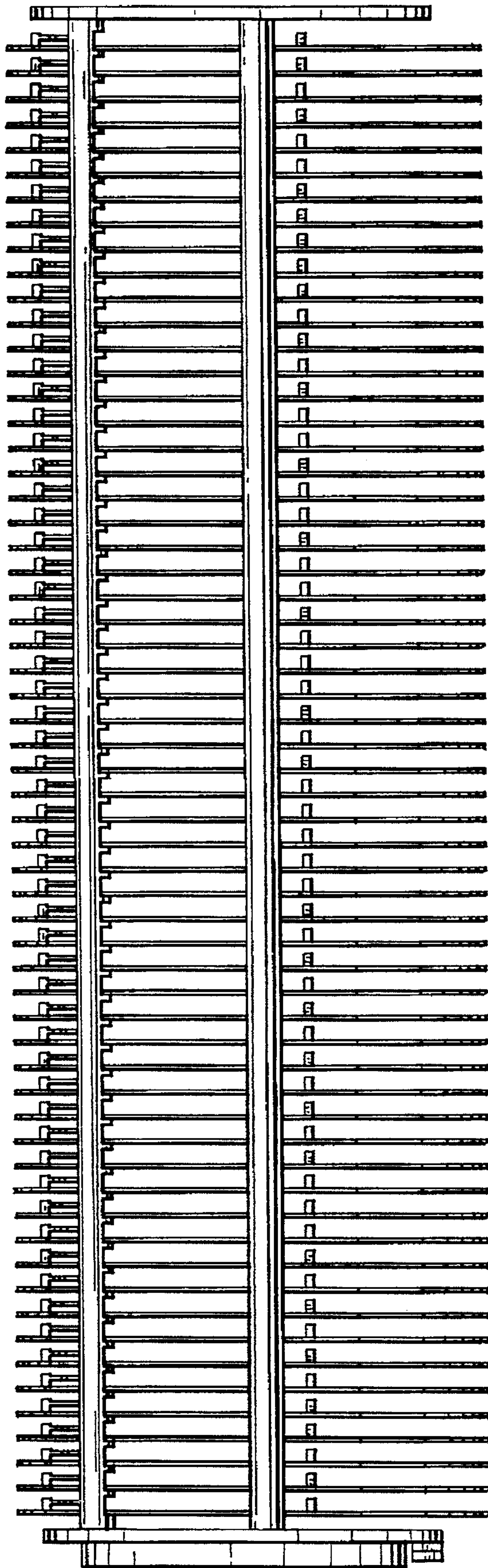


FIG. 13



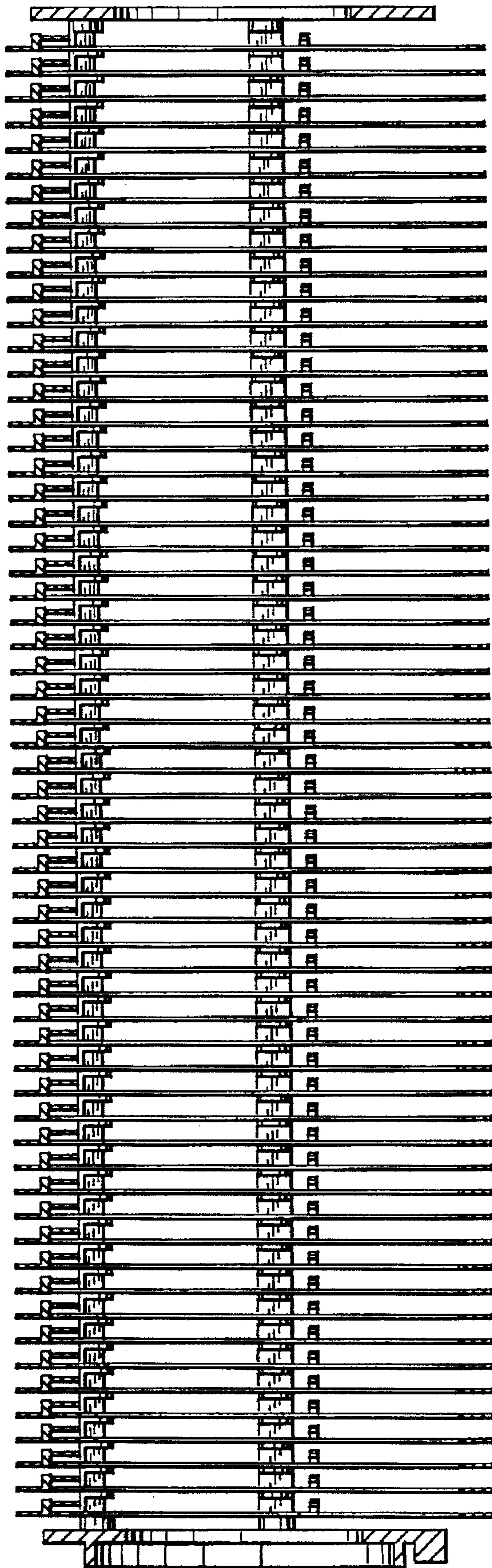


FIG. 15

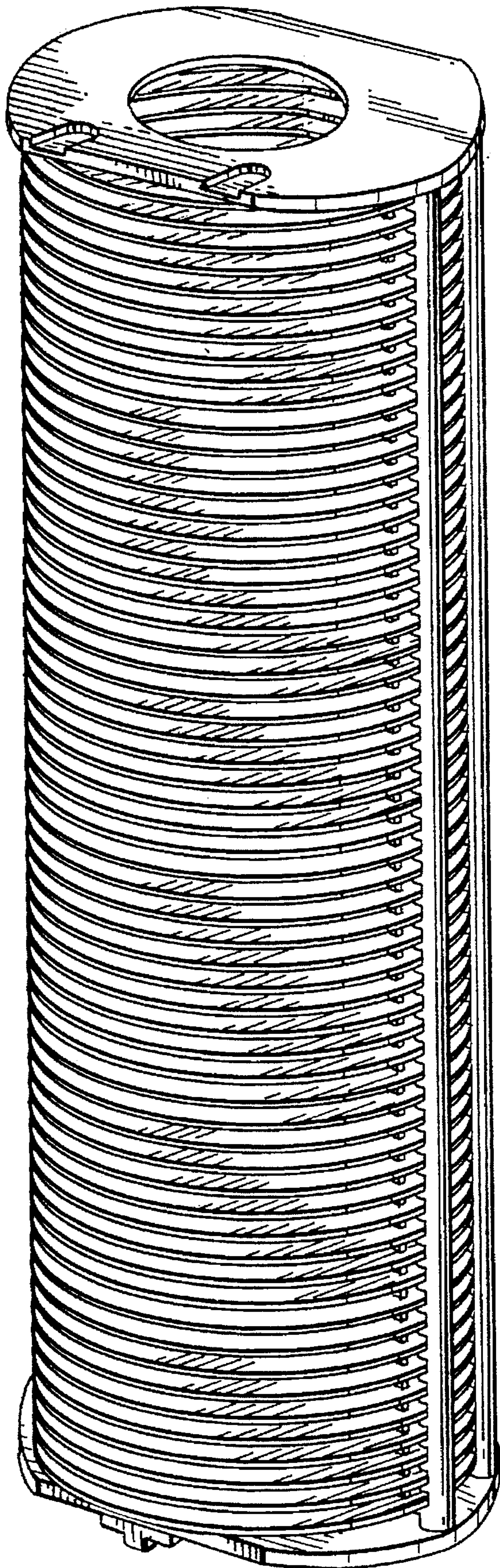


FIG. 16