



US00D380450S

United States Patent [19]

[11] Patent Number: **Des. 380,450**

Tsai

[45] Date of Patent: ****Jul. 1, 1997**

[54] **REMOTE CONTROL**

D. 365,104 12/1995 Ko D14/218

[76] Inventor: **Spencer Tsai**, Fl. 11, No. 31, Sec. 5,
Nanking E. Road, Taipei, Taiwan

Primary Examiner—A. Hugo Word
Assistant Examiner—Lavone D. Tabor
Attorney, Agent, or Firm—Morton J. Rosenberg; David I. Klein

[**] Term: **14 Years**

[21] Appl. No.: **50,318**

[57] **CLAIM**

[22] Filed: **Feb. 13, 1996**

The ornamental design for a remote control, as shown and described.

[51] LOC (6) Cl. **13-03**

DESCRIPTION

[52] U.S. Cl. **D13/168; D10/106**

[58] **Field of Search** D13/168; D14/217,
D14/218; D10/104, 106; 340/825.69, 825.72;
348/734; 455/151.1, 151.2, 352; D21/48,
141.1

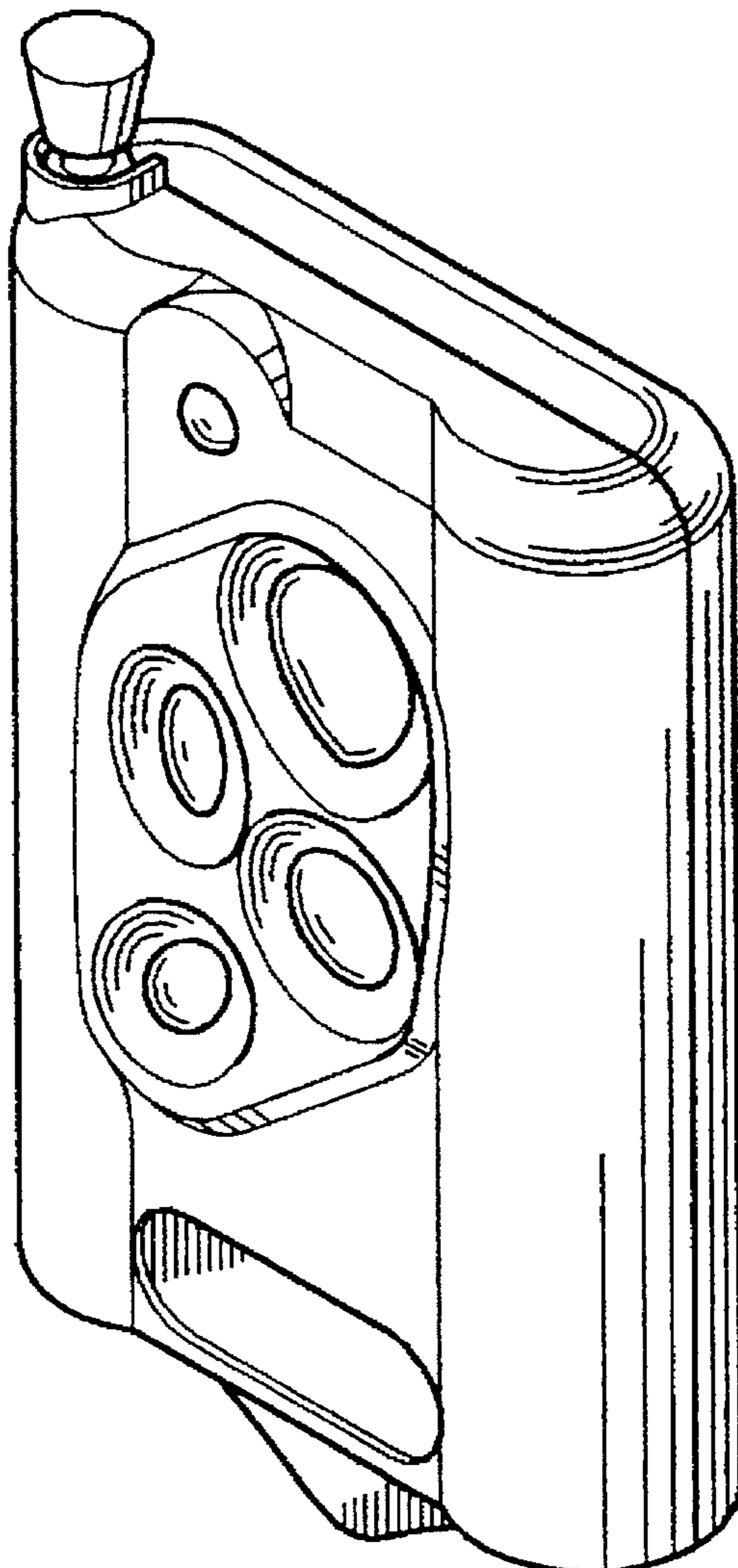
FIG. 1 is a perspective view of a remote control in accordance with the design;
FIG. 2 is a front elevational view thereof;
FIG. 3 is a rear elevational view thereof;
FIG. 4 is a left side elevational view thereof;
FIG. 5 is right side elevational view thereof;
FIG. 6 is top plan view thereof; and,
FIG. 7 is bottom plan view thereof.

[56] **References Cited**

U.S. PATENT DOCUMENTS

D. 327,876 7/1992 Stickley D13/168
D. 357,639 4/1995 Flick D10/104

1 Claim, 2 Drawing Sheets



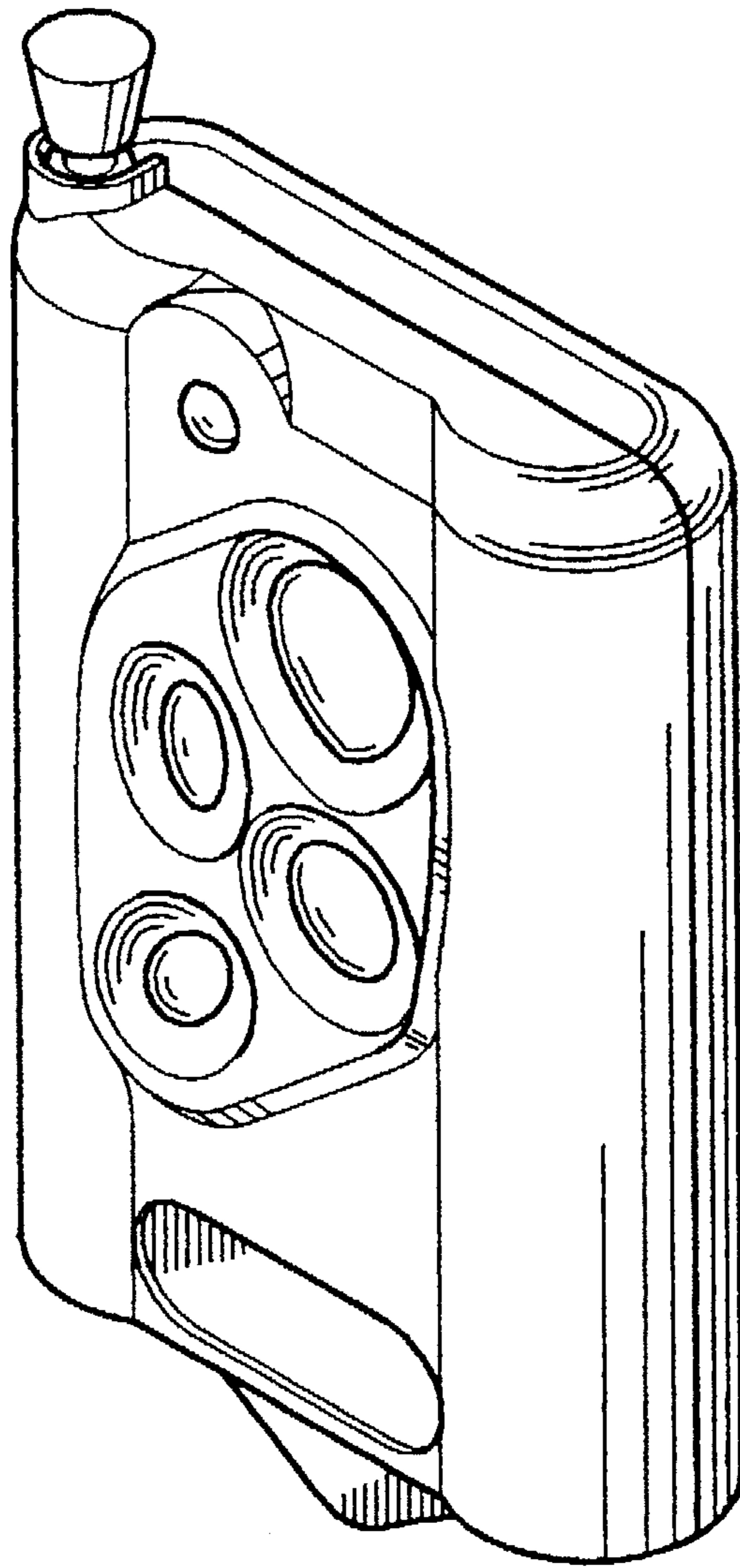


FIG. 1

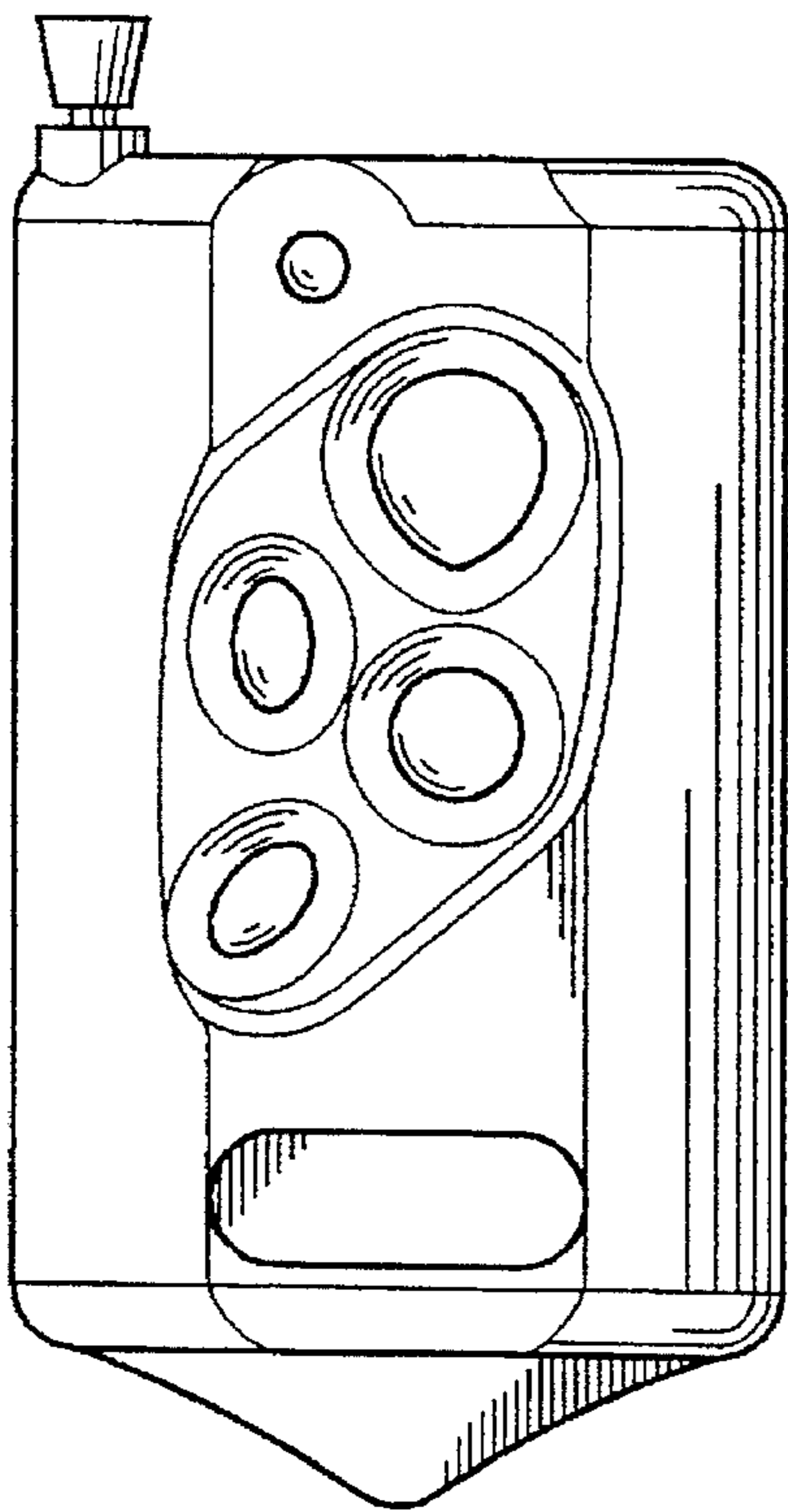


FIG. 2

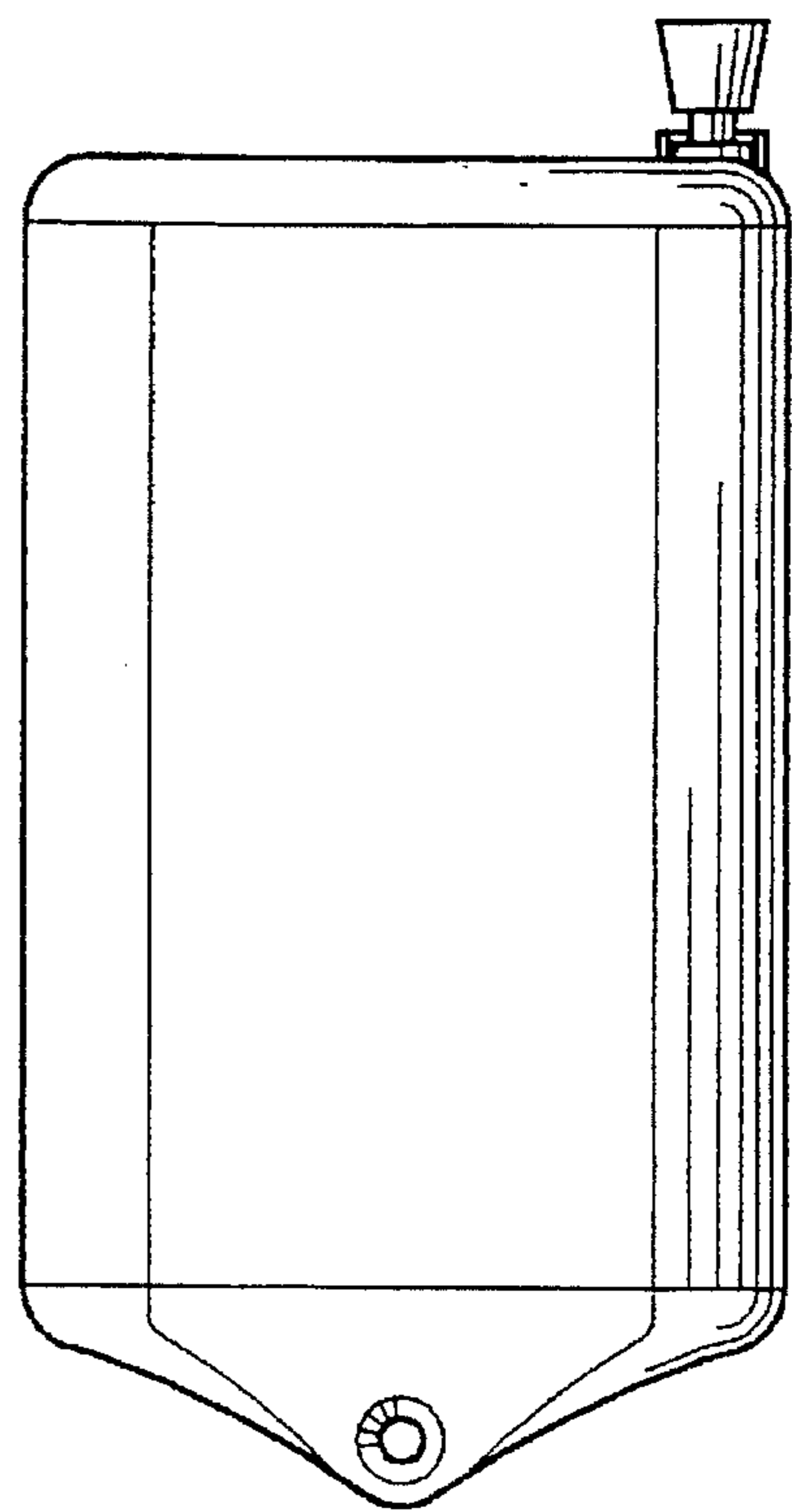


FIG. 3



FIG. 4



FIG. 5

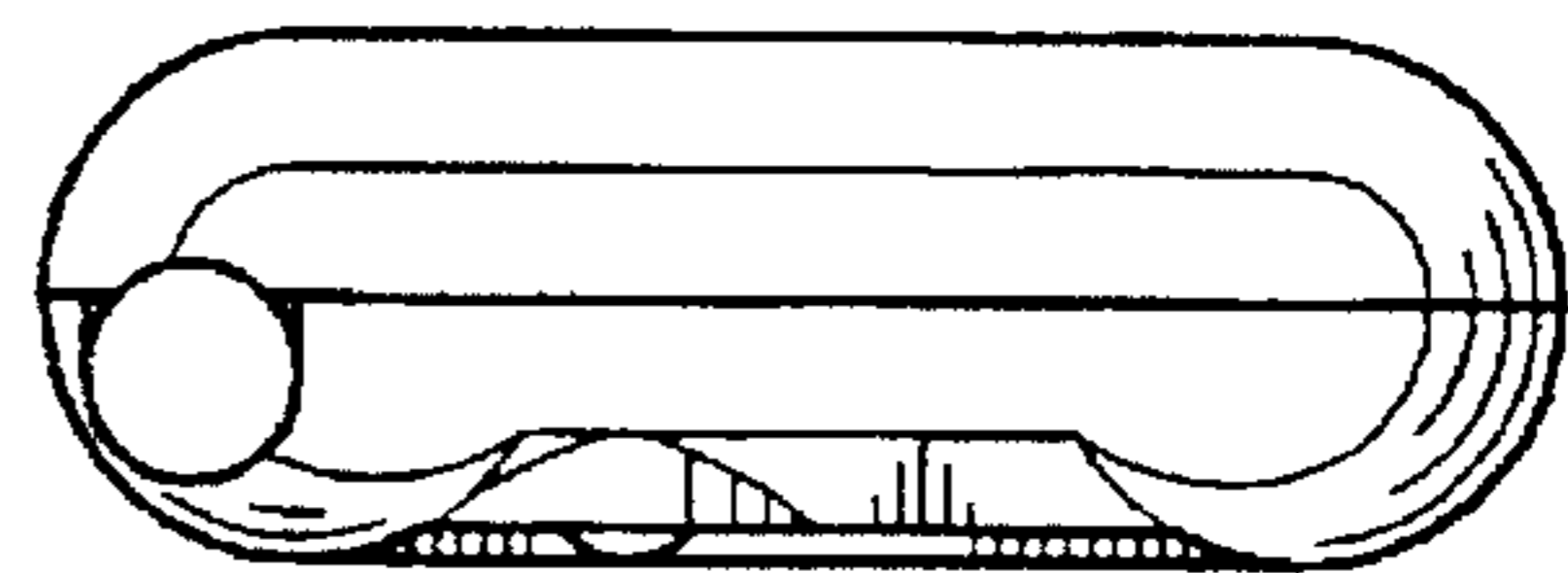


FIG. 6

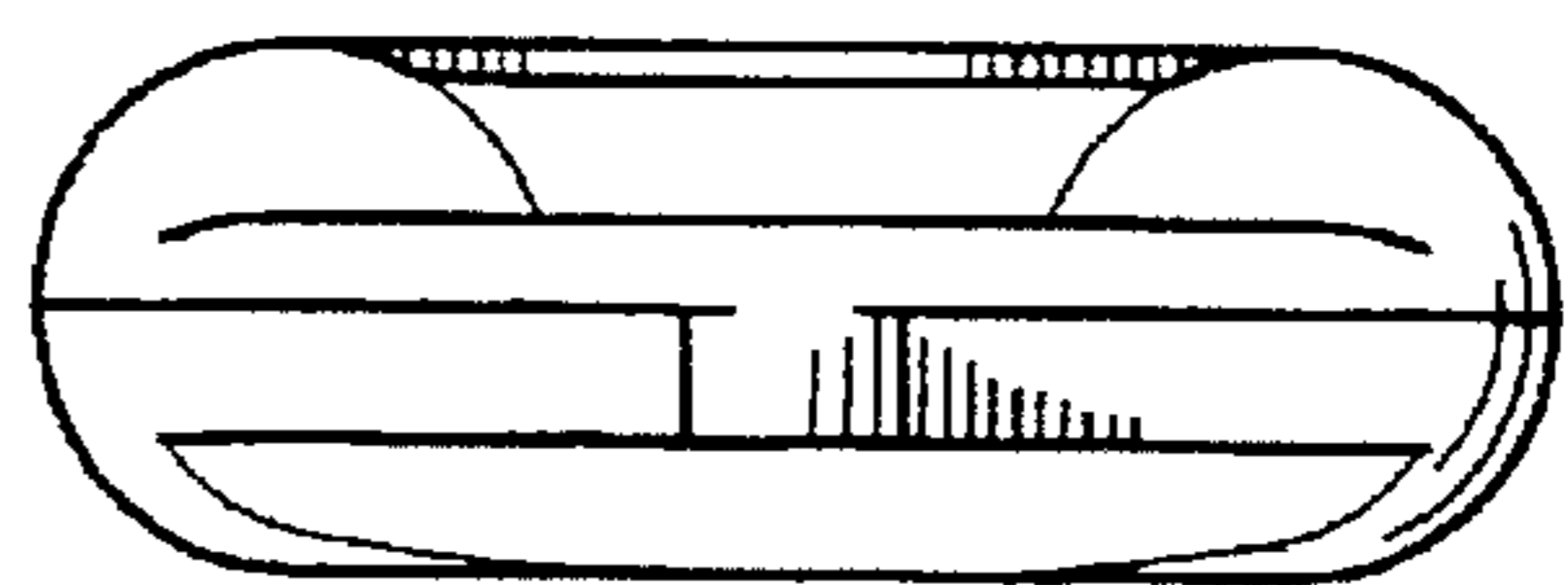


FIG. 7